



US00D423600S

# United States Patent [19]

Bagley et al.

[11] Patent Number: Des. 423,600

[45] Date of Patent: \*\* Apr. 25, 2000

[54] HAND HELD ELECTRONIC GAME

[75] Inventors: **Ronald D. Bagley**, Redondo Beach, Calif.; **Andrew Riggs**, Carrollton, Tex.

[73] Assignee: **Radica China Limited**, Fo Tan, The Hong Kong Special Administrative Region of the People's Republic of China

[\*\*] Term: **14 Years**

[21] Appl. No.: **29/098,102**

[22] Filed: **Dec. 21, 1998**

[51] LOC (6) Cl. .... **21-01**

[52] U.S. Cl. .... **D21/329**

[58] Field of Search ..... D21/324, 328, D21/329, 330, 333; D14/117.1, 117.9, 124, 125; 273/148 B; 463/1, 29.35, 46, 47

### [56] References Cited

#### U.S. PATENT DOCUMENTS

- D. 49,284 6/1916 Schmitt .
- D. 246,049 10/1977 Nakamura .
- D. 313,061 12/1990 Bascom et al. .
- D. 336,665 6/1993 Tugeadhaft .
- D. 343,202 1/1994 Peersmann .
- D. 347,246 5/1994 Wen .
- D. 369,387 4/1996 Stambolic et al. .... D21/329
- D. 371,165 6/1996 Stambolic et al. .... D21/329
- D. 397,371 8/1998 Bagley .
- D. 397,372 8/1998 Riggs .
- D. 397,729 9/1998 Schulz et al. .
- D. 408,853 4/1999 Hornsby et al. .... D21/329 X
- D. 408,866 4/1999 Fai ..... D21/329
- 2,779,131 1/1957 Scheithauer .
- 3,924,350 12/1975 Hsu ..... 273/457 X

- 4,969,647 11/1990 Mical et al. .
- 5,232,223 8/1993 Dornbusch .
- 5,263,714 11/1993 Rudell et al. .
- 5,334,027 8/1994 Wherlock .
- 5,542,672 8/1996 Meredith ..... 463/37
- 5,685,776 11/1997 Stambolic et al. .... 463/46
- 5,730,655 3/1998 Meredith .

### OTHER PUBLICATIONS

HongKong Enterprise, p. 133, Oct. 1994.  
Radica: The Name of the Game; p. 5; Bass Fishin' Model 3732; 1996.

*Primary Examiner*—Prabhakar Deshmukh  
*Attorney, Agent, or Firm*—Roylance, Abrams, Berdo & Goodman, L.L.P.

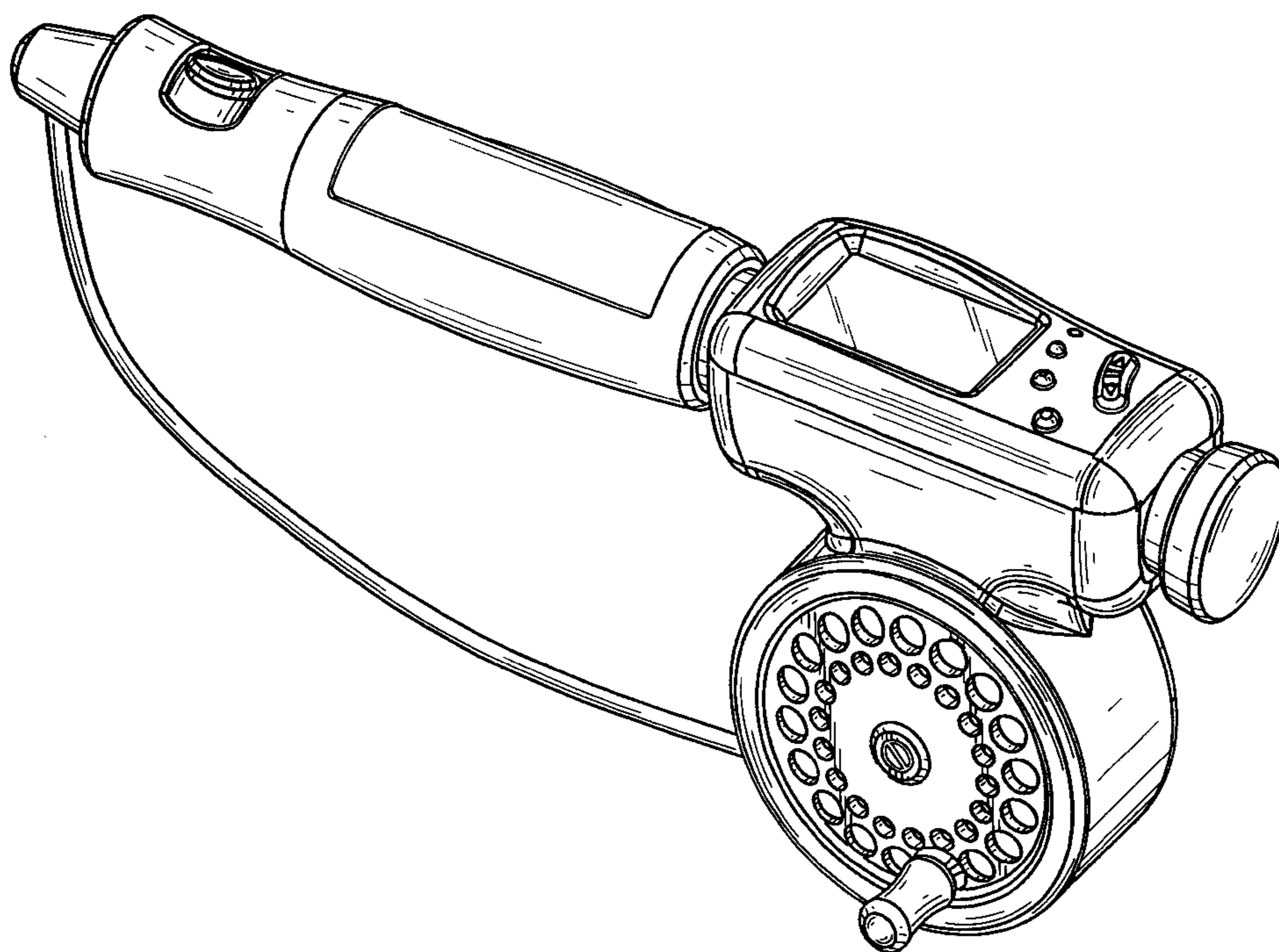
### [57] CLAIM

The ornamental design for a hand held electronic game, as shown and described.

### DESCRIPTION

FIG. 1 is a front, top, left side perspective view of a hand held electronic game in accordance with the new design; FIG. 2 is a front elevational view of the hand held electronic game illustrated in FIG. 1; FIG. 3 is a rear elevational view of the hand held electronic game illustrated in FIGS. 1 and 2; FIG. 4 is a left side elevational view of the hand held electronic game illustrated in FIGS. 1-3; FIG. 5 is a right side elevational view of the hand held electronic game illustrated in FIGS. 1-4; FIG. 6 is a top plan view of the hand held electronic game illustrated in FIGS. 1-5; and, FIG. 7 is a bottom plan view of the hand held electronic game illustrated in FIGS. 1-6.

1 Claim, 5 Drawing Sheets



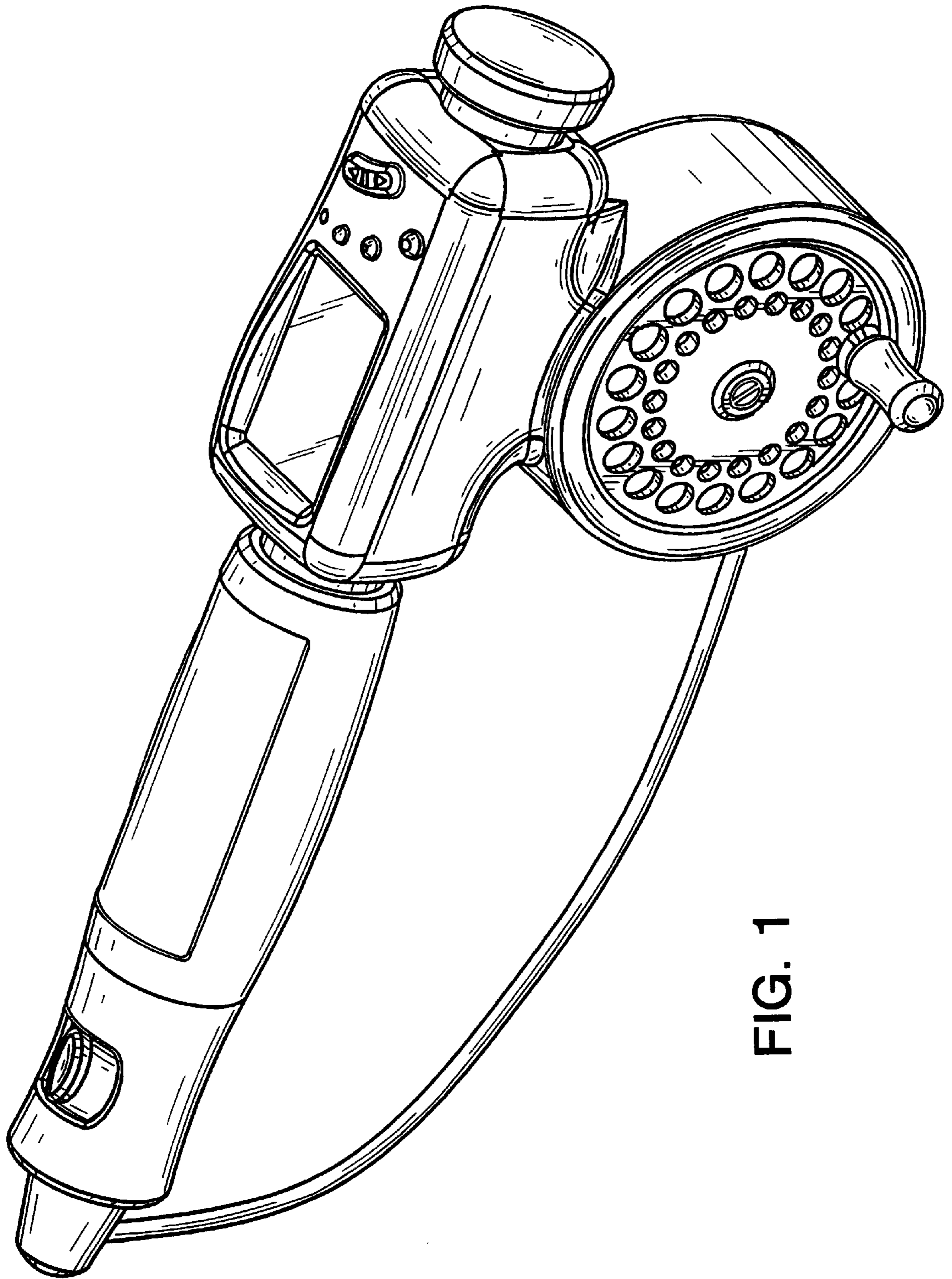


FIG. 1

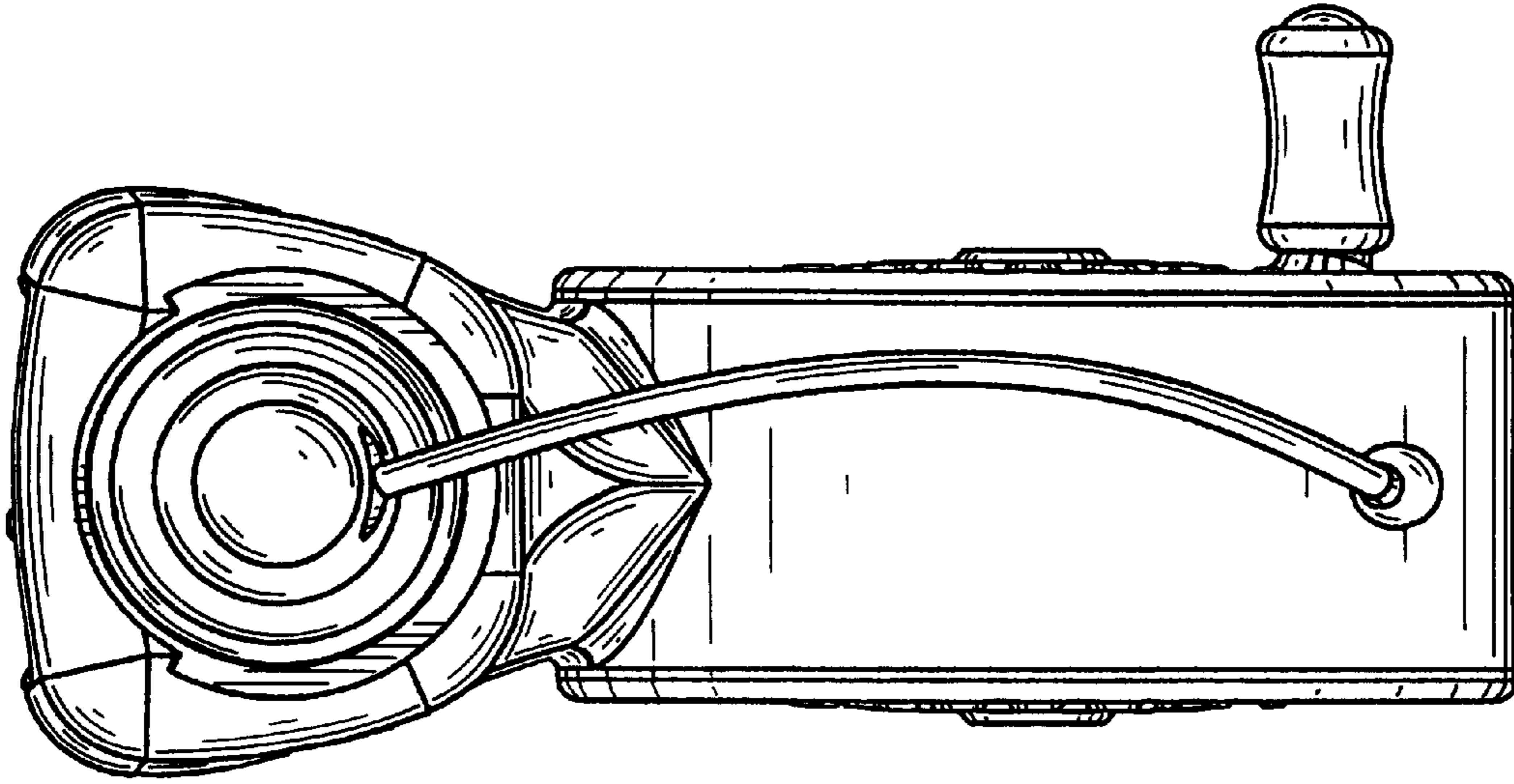


FIG. 3

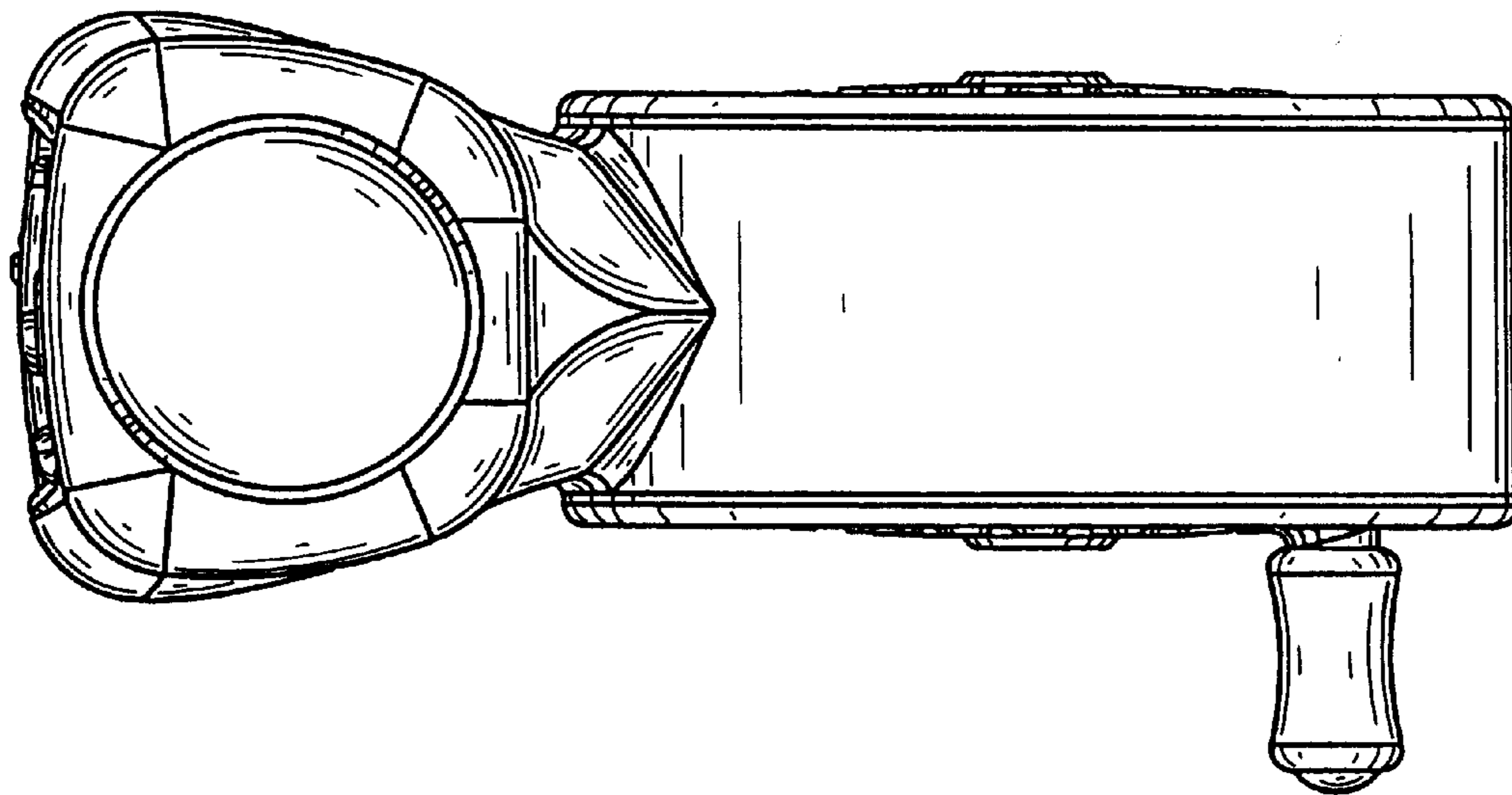


FIG. 2

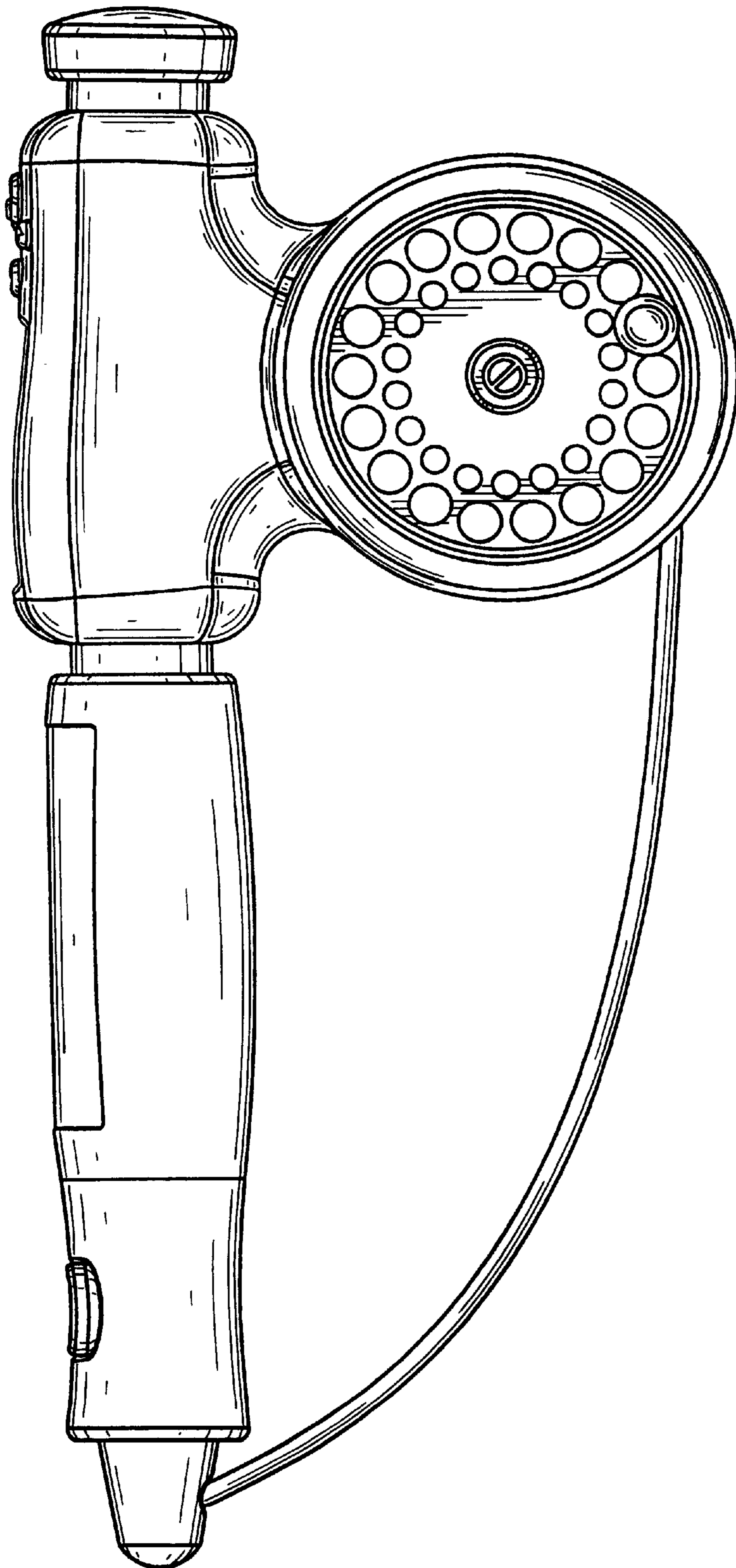


FIG. 4

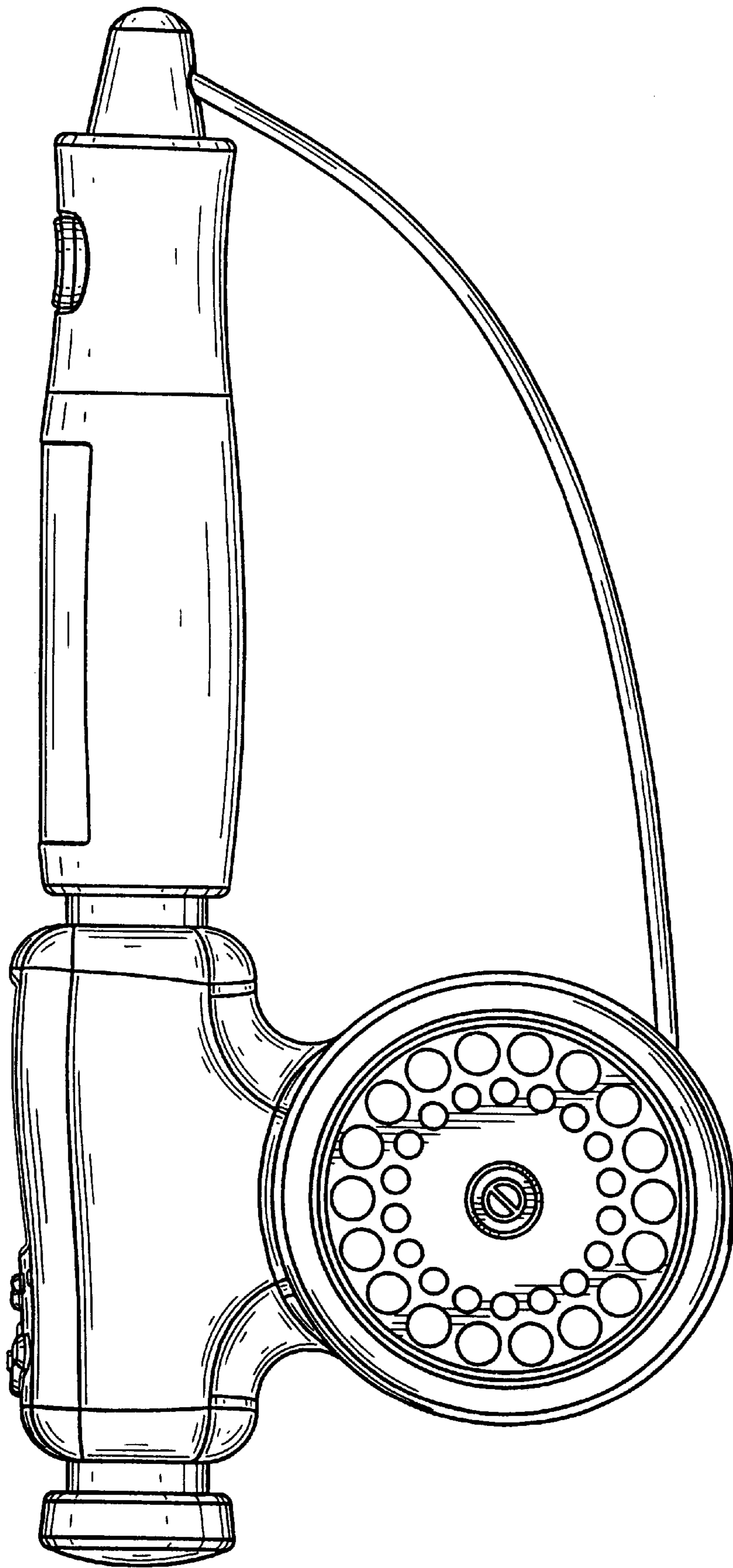


FIG. 5

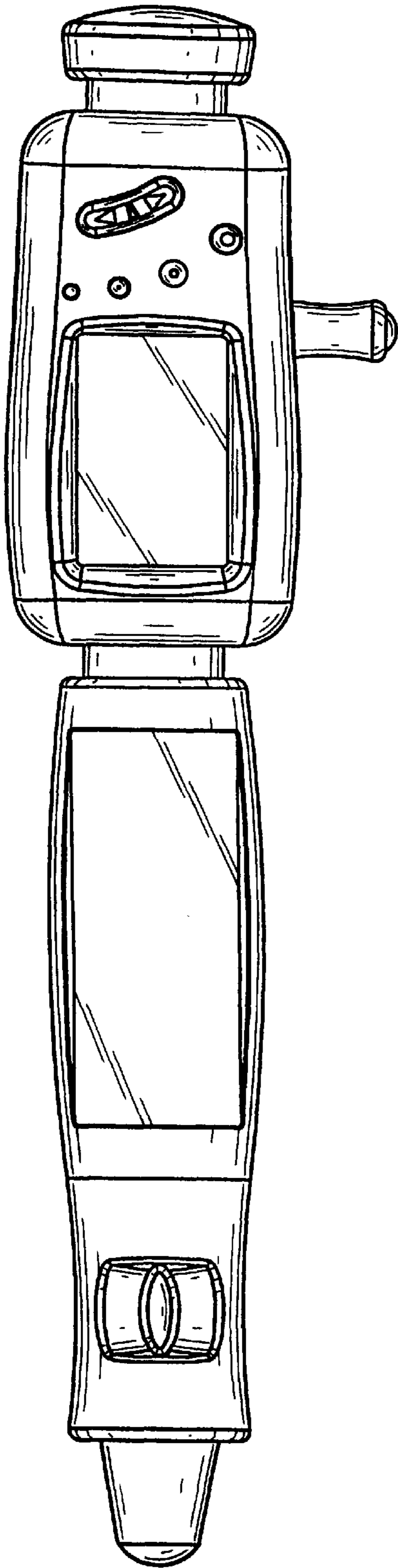


FIG. 6

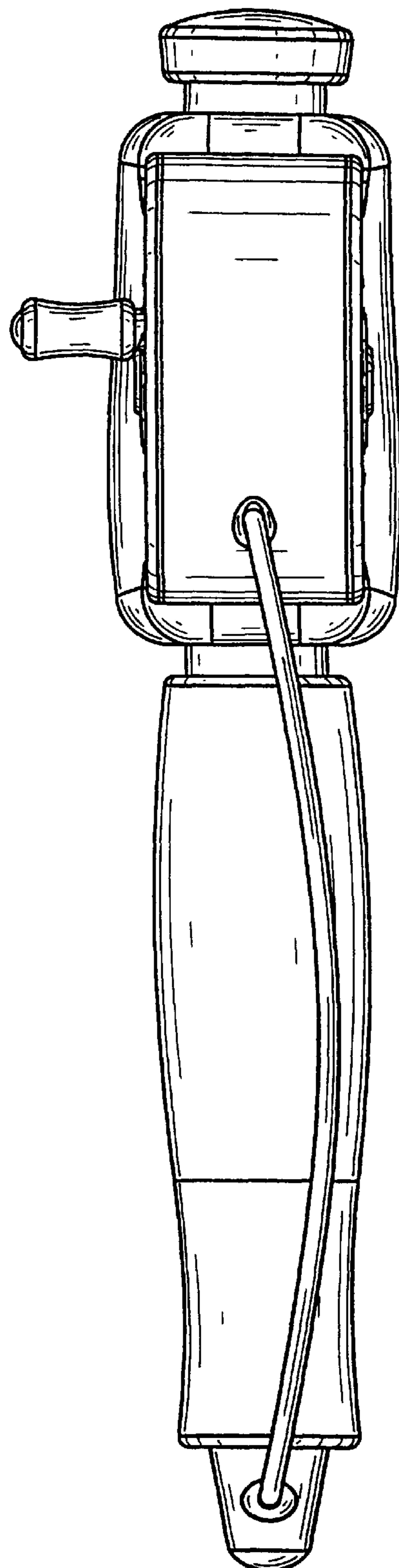


FIG. 7