



US00D423597S

United States Patent [19]

Martin et al.

[11] Patent Number: **Des. 423,597**

[45] Date of Patent: **** *Apr. 25, 2000**

[54] **ELECTRONIC DART GAME**

[75] Inventors: **John R. Martin**, 5635 Nebeshonee La., Rockford, Ill. 61103; **Richard F. Jones**, Rockford, Ill.

[73] Assignee: **John R. Martin**, Rockford, Ill.

[*] Notice: This patent is subject to a terminal disclaimer.

[**] Term: **14 Years**

[21] Appl. No.: **29/097,771**

[22] Filed: **Dec. 14, 1998**

[51] **LOC (6) Cl.** **21-01**

[52] **U.S. Cl.** **D21/307; D21/308**

[58] **Field of Search** **D21/307, 308, D21/324, 326, 329-332; 273/236-288, 341, 347, 348, 371, 376, 408**

[56] References Cited

U.S. PATENT DOCUMENTS

D. 287,737	1/1987	Wallace	D21/307
D. 339,826	9/1993	Alling et al.	D21/307
4,789,932	12/1988	Cutler et al.	273/371

4,824,121	4/1989	Beall et al.	273/376
4,923,201	5/1990	Nichol et al.	273/371
5,020,806	6/1991	Martin	273/371

Primary Examiner—Sandra L. Morris
Attorney, Agent, or Firm—McAndrews, Held & Malloy, Ltd.

[57] CLAIM

The ornamental design for the electronic dart game, as shown and described.

DESCRIPTION

FIG. 1 is a perspective view of an electronic dart game according to the invention;
 FIG. 2 is a front elevation of the electronic dart game of FIG. 1;
 FIG. 3 is a right side elevation of the electronic dart game of FIG. 1; the left side elevation being a mirror image thereof;
 FIG. 4 is a rear elevation of the electronic dart game of FIG. 1;
 FIG. 5 is a top plan view of the electronic dart game of FIG. 1; and,
 FIG. 6 is a bottom plan view of the electronic dart game of FIG. 1.

1 Claim, 5 Drawing Sheets

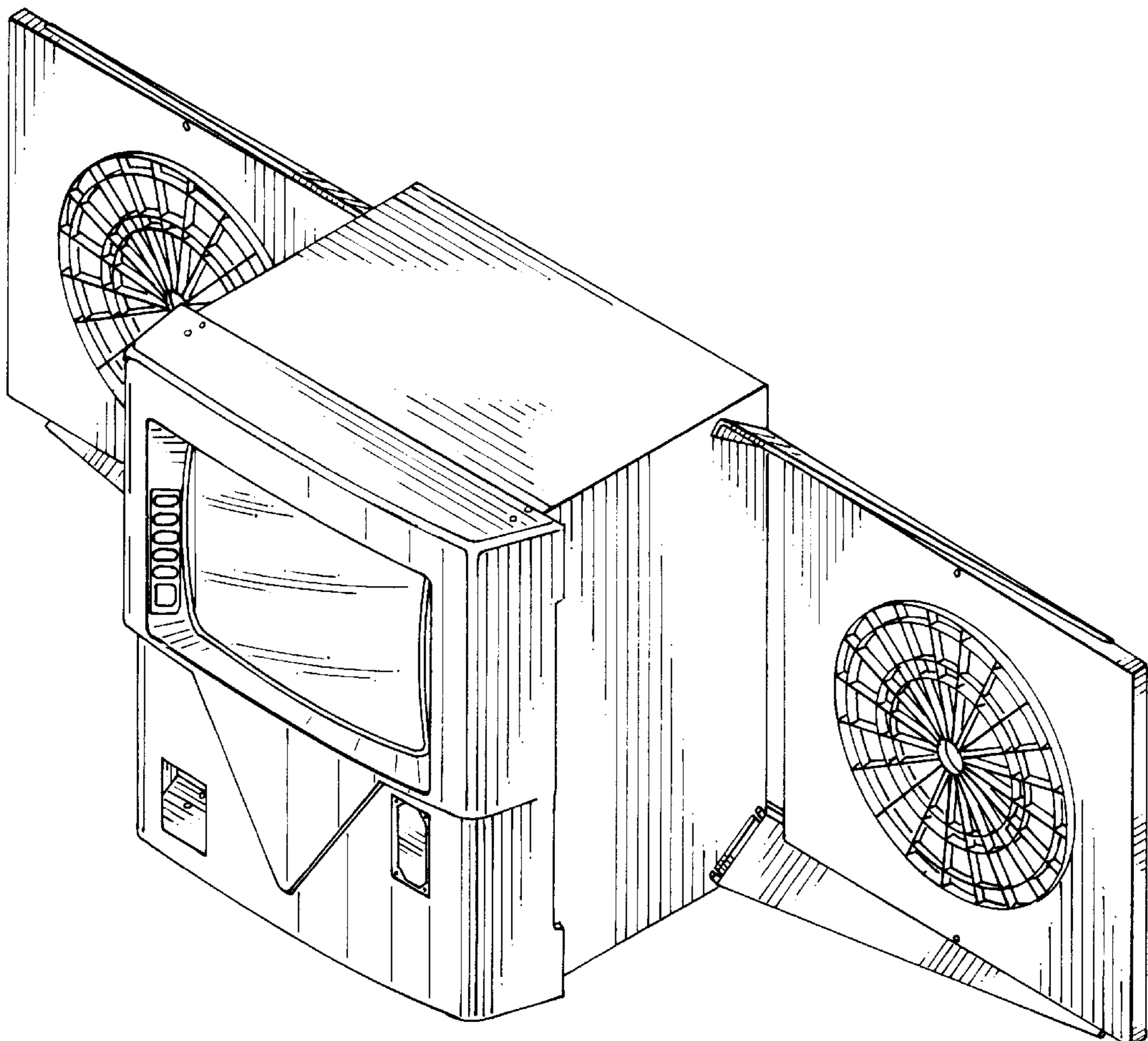


FIG. 1

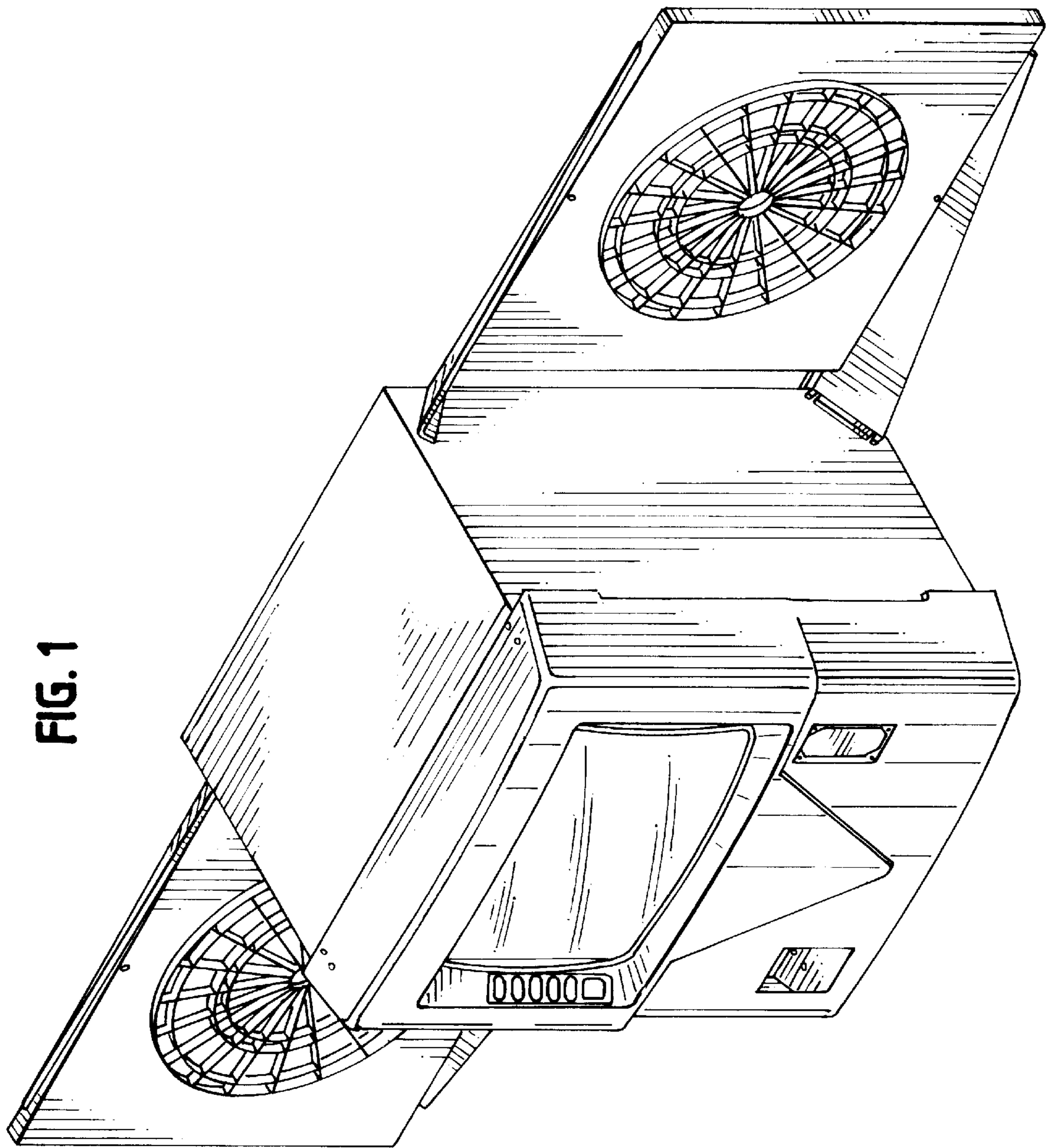


FIG. 2

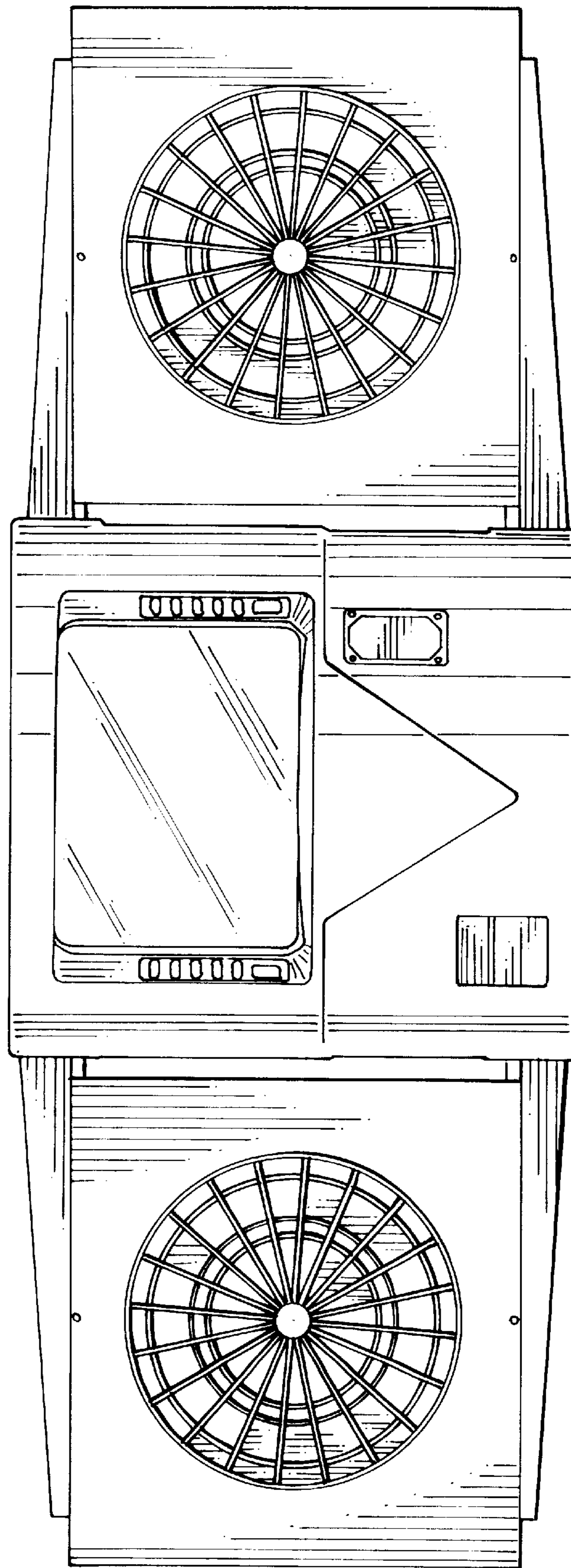


FIG. 3

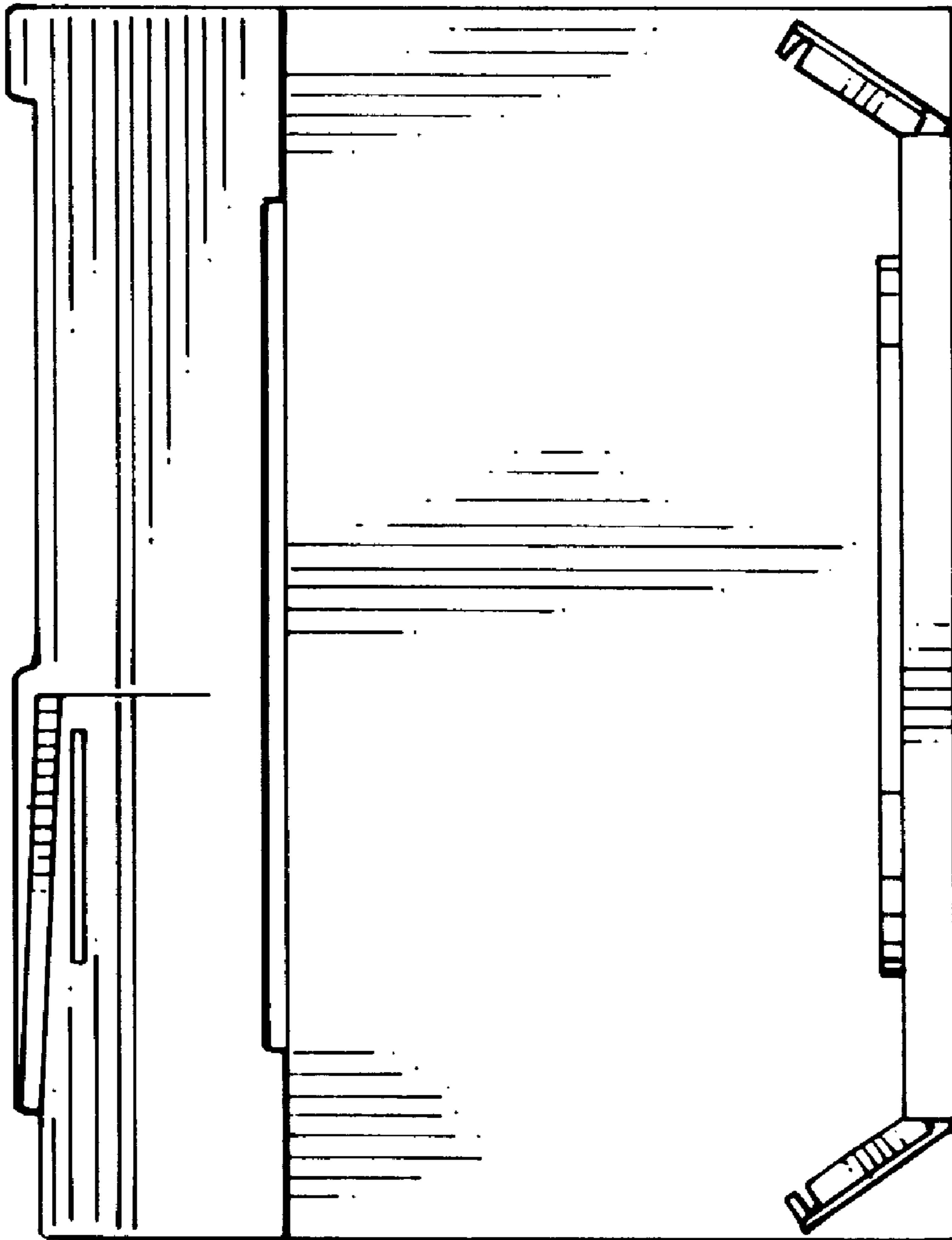


FIG. 4

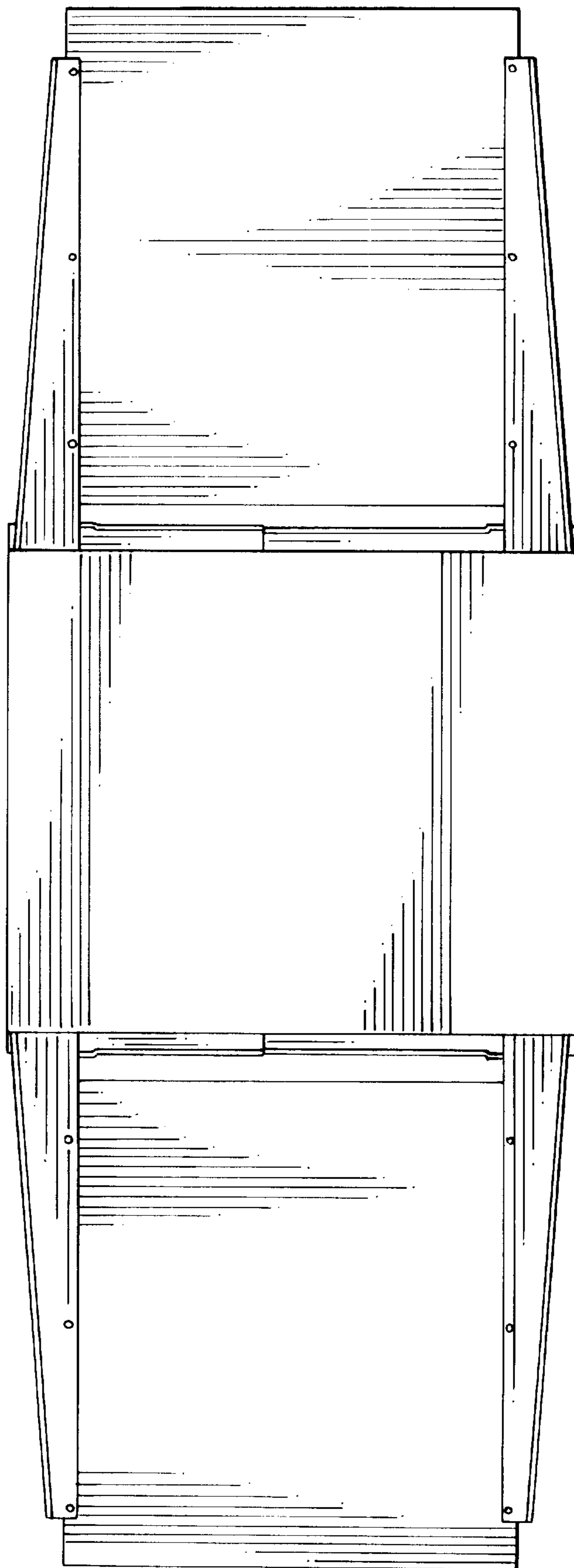


FIG. 5

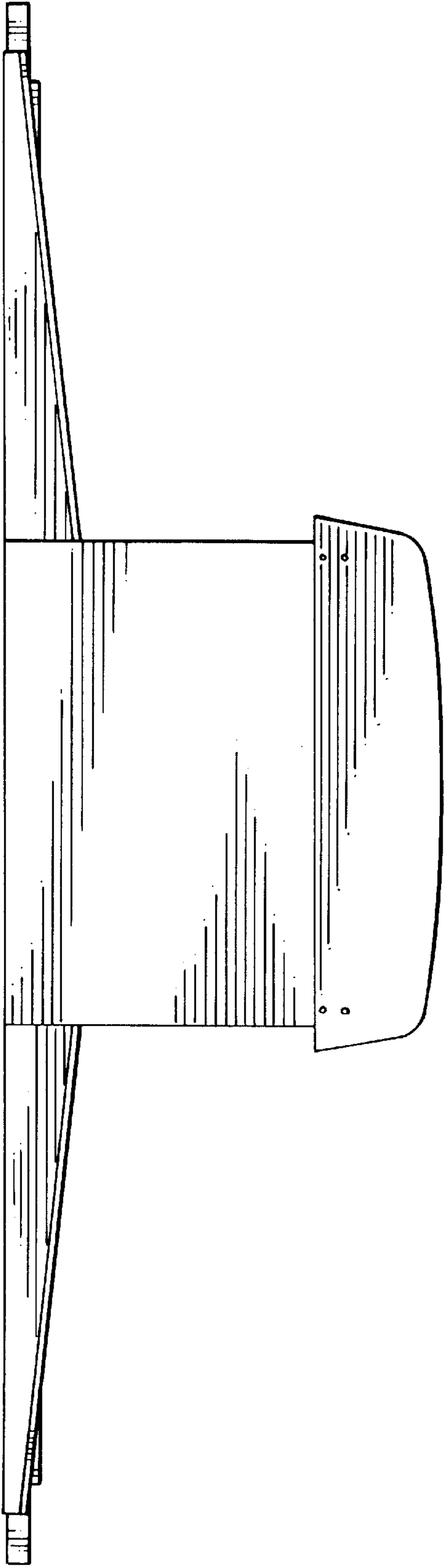


FIG. 6

