



US00D423594S

United States Patent [19] Green

[11] Patent Number: **Des. 423,594**

[45] Date of Patent: **** Apr. 25, 2000**

[54] **FLEXIBLE SIGN SUPPORT**

[76] Inventor: **Helen M. Green**, 100 Main St.,
Gildford, Mont. 59525

[**] Term: **14 Years**

[21] Appl. No.: **29/097,091**

[22] Filed: **Nov. 30, 1998**

[51] **LOC (6) Cl.** **20-03**

[52] **U.S. Cl.** **D20/43; D20/41; D8/354**

[58] **Field of Search** 40/642.02, 606,
40/607, 608, 661.11, 613, 618; D20/10,
41, 42, 43; D8/349, 354, 373, 380; 248/220.22,
225.11

[56] **References Cited**

U.S. PATENT DOCUMENTS

1,674,565	6/1928	Peterson	40/613
2,033,190	3/1936	Edison	40/613
3,662,482	5/1972	Sarkisian	40/606 X
4,737,048	4/1988	Herrstrom	403/229
5,832,644	10/1998	Mason	40/642.02
5,878,518	3/1999	Grewe	40/606

Primary Examiner—Susan J. Lucas
Assistant Examiner—Jennifer Rivard
Attorney, Agent, or Firm—D. L. Tschida

[57] **CLAIM**

The ornamental design for a flexible sign support, as shown and described.

DESCRIPTION

FIG. 1 is a perspective drawing showing front, right side and top views of my new design for a flexible sign support and wherein the matter shown in dashed line comprises no part of the invention;

FIG. 2 is a right side view thereof and wherein the left side view is the same;

FIG. 3 is a top view thereof; and

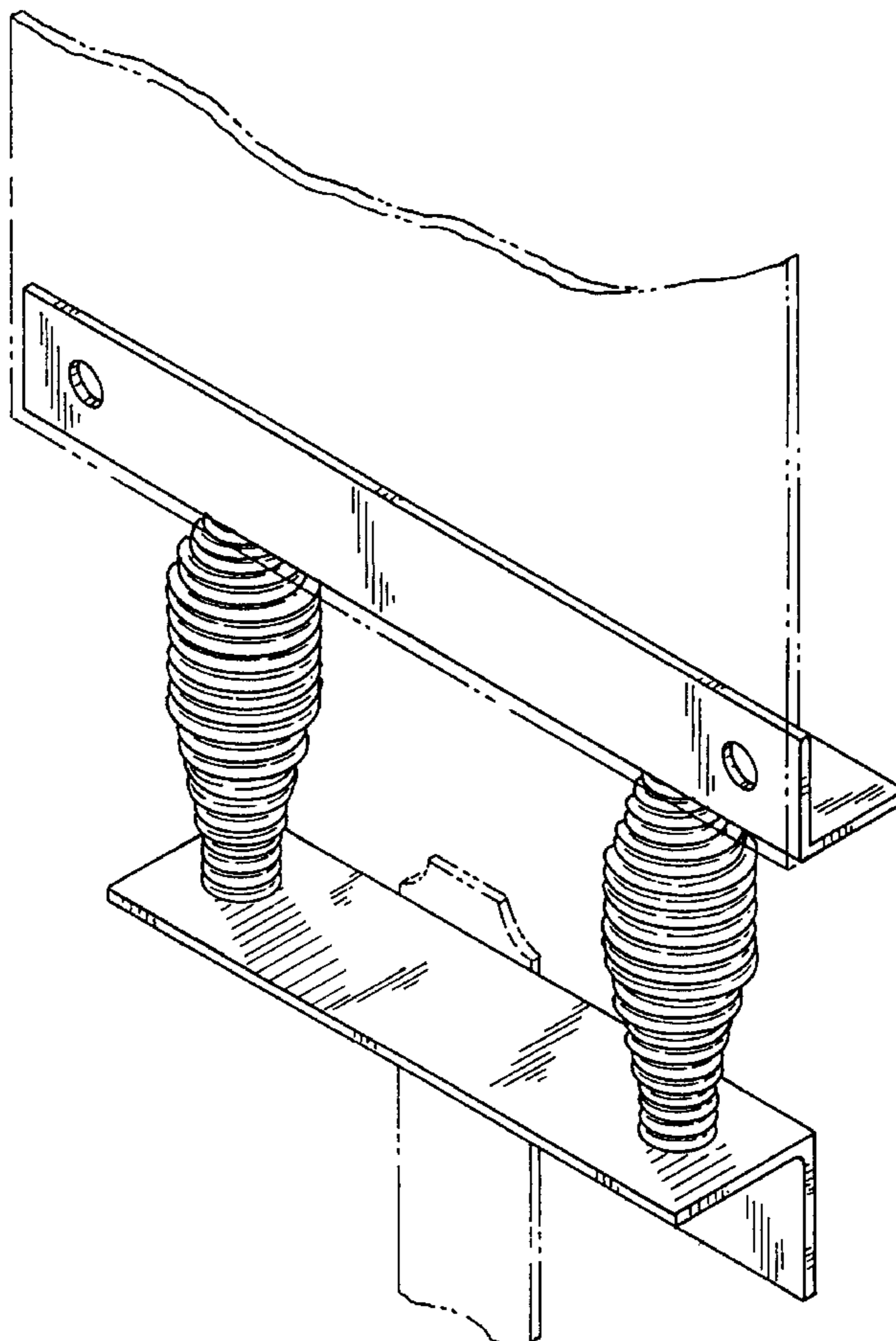
FIG. 4 is a bottom view thereof.

FIG. 5 is a perspective drawing showing front, right side and top views of a first alternative design for a flexible sign support and wherein the matter shown in dashed line comprises no part of the invention; and,

FIG. 6 is a perspective drawing showing front, right side and top views of a second alternative design for a flexible sign support and wherein the matter shown in dashed line comprises no part of the invention.

The second and third embodiments differ from the first embodiment only in the number of springs that are shown. The surfaces of the article not shown in the drawing or described in the specification form no part of the claimed design.

1 Claim, 5 Drawing Sheets



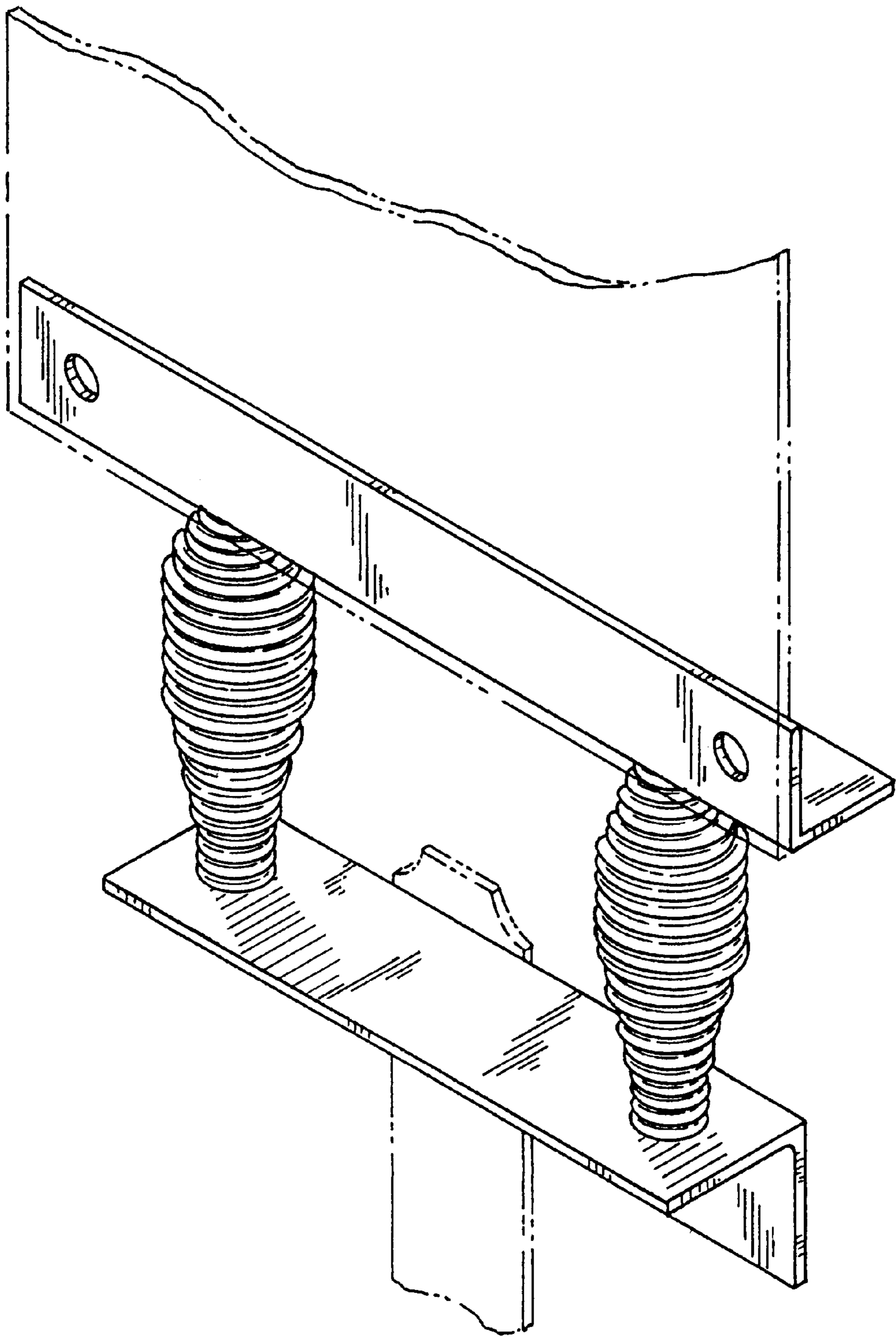


FIG. 1

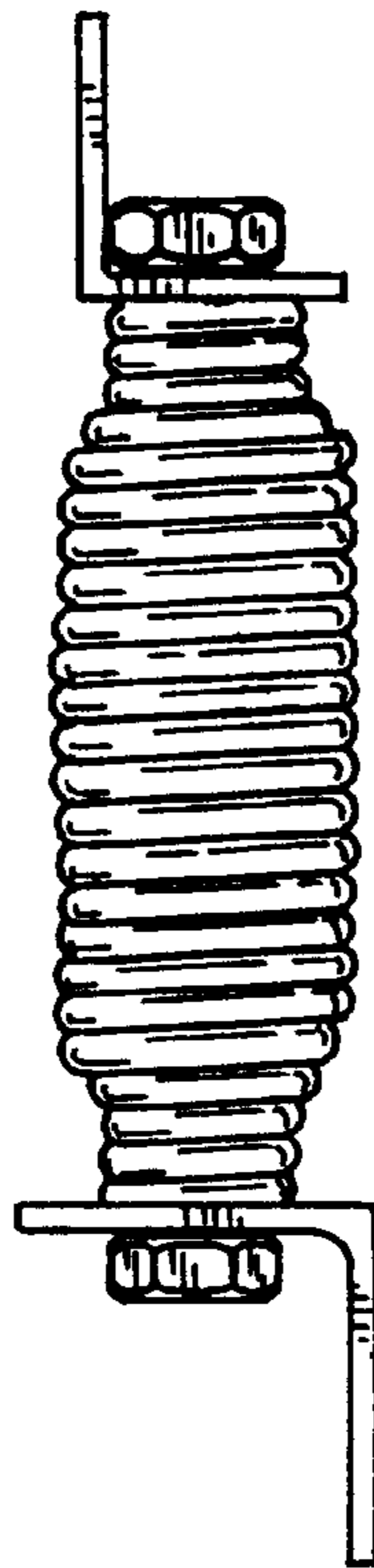


FIG. 2

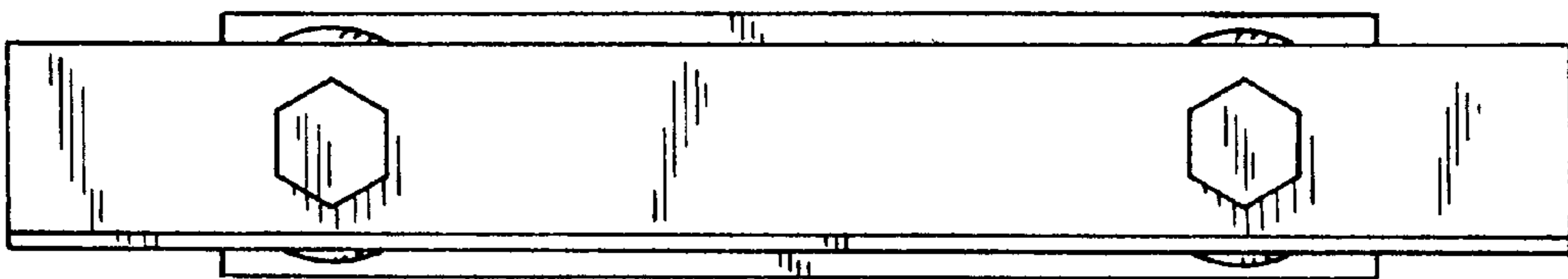


FIG. 3

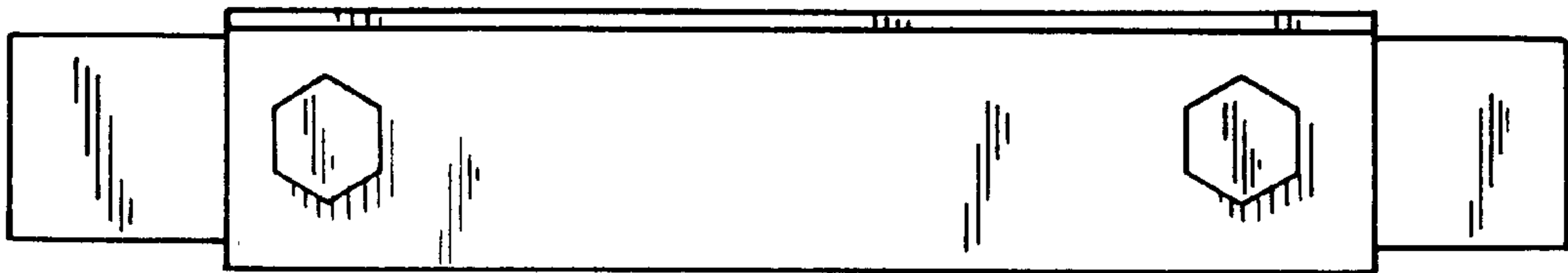


FIG. 4

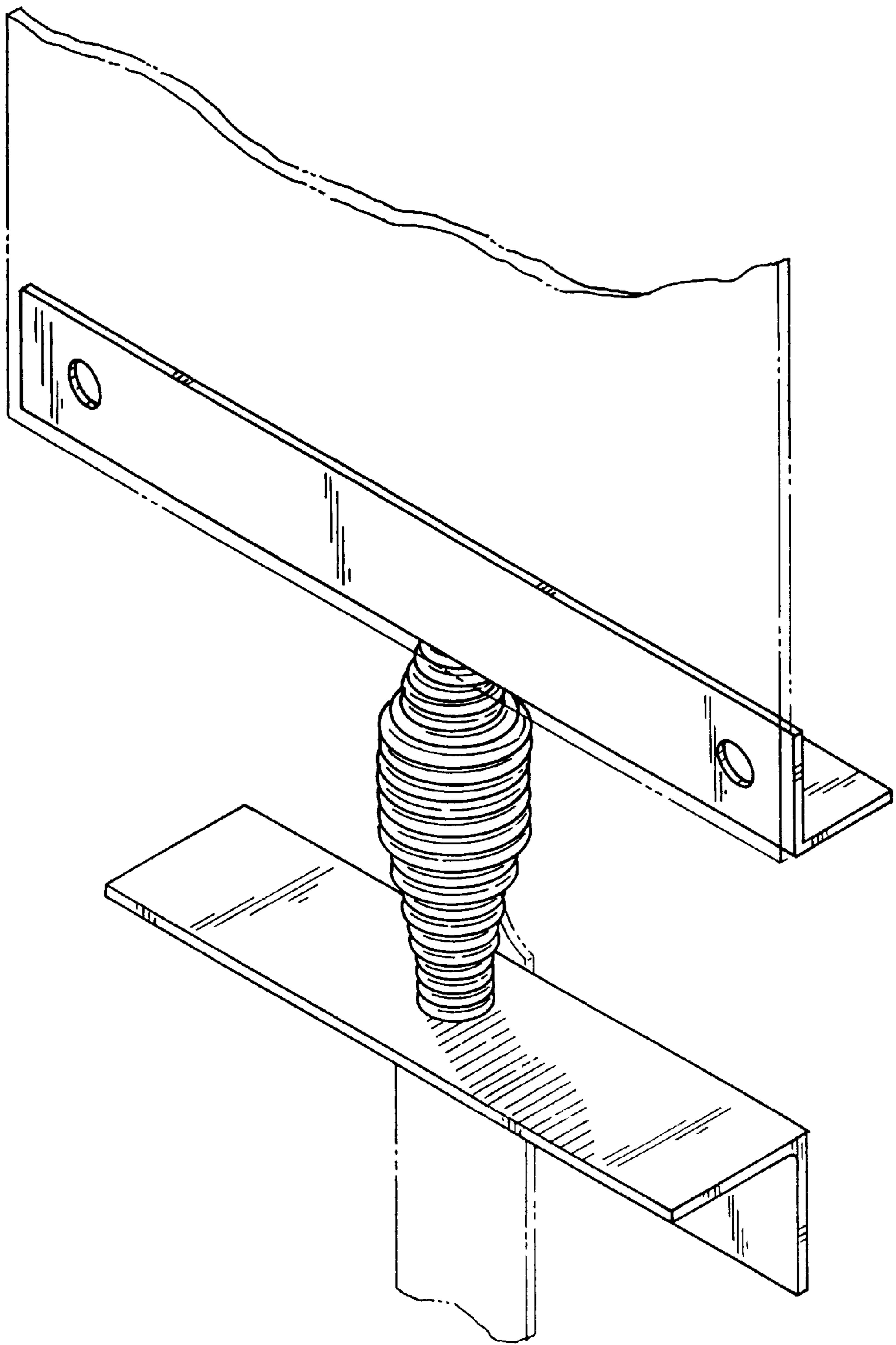


FIG. 5

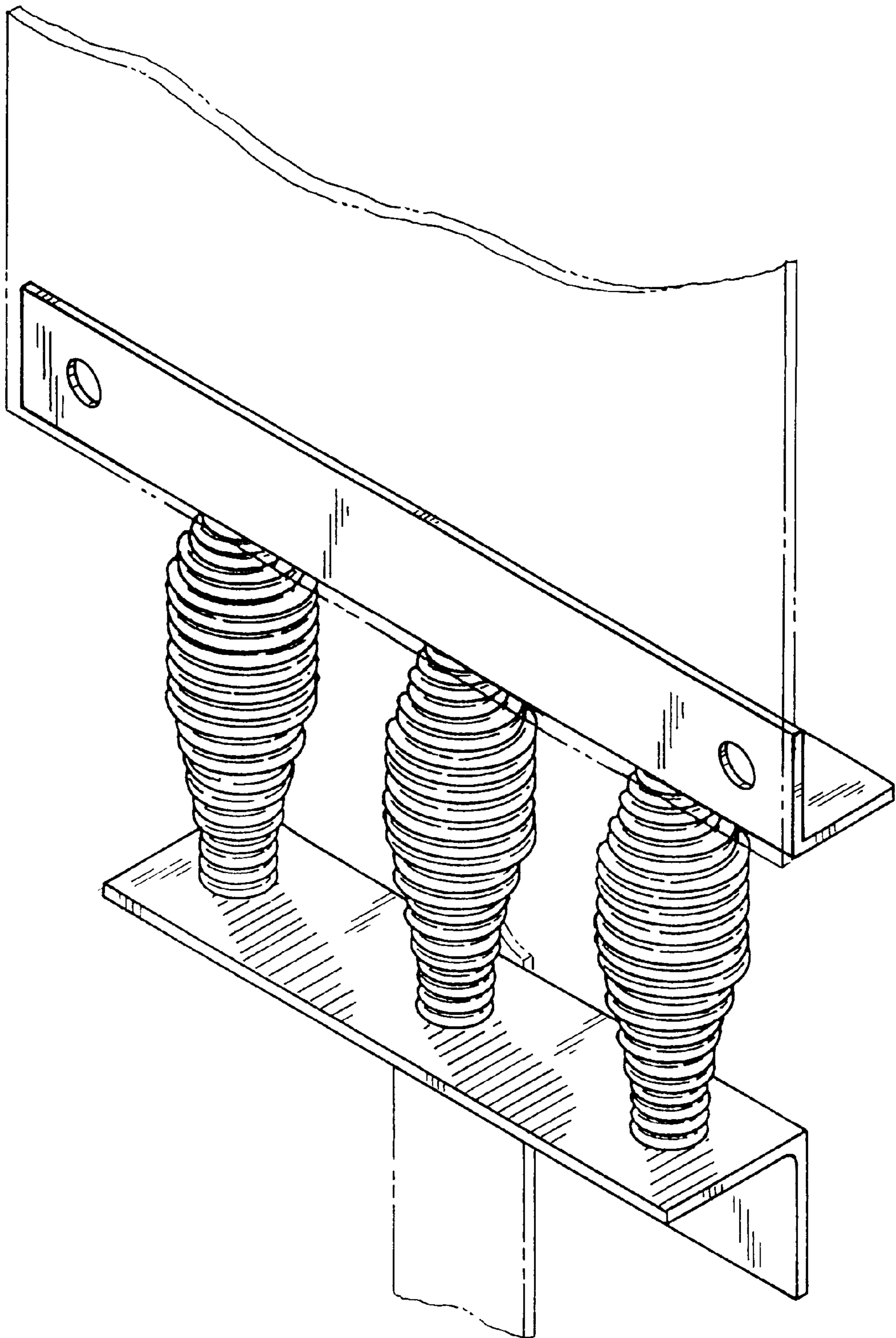


FIG. 6