



US00D423592S

United States Patent [19]
Wamsley

[11] **Patent Number: Des. 423,592**

[45] **Date of Patent: ** Apr. 25, 2000**

[54] **BANNER HANGER**

[75] Inventor: **Stephen D. Wamsley**, Lakewood, Ohio

[73] Assignee: **Fasteners For Retail, Inc.**, Cleveland, Ohio

[**] Term: **14 Years**

[21] Appl. No.: **29/110,959**

[22] Filed: **Sep. 17, 1999**

[51] **LOC (6) Cl.** **20-02**

[52] **U.S. Cl.** **D20/42; D8/373**

[58] **Field of Search** **D8/373; D6/410, D6/553; 40/617, 603; 248/221.4; D20/42, 43**

[56] **References Cited**

U.S. PATENT DOCUMENTS

D. 215,697	10/1969	Toder	D8/377
D. 266,858	11/1982	Cole	D8/373 X
D. 320,521	10/1991	Baur	D8/373 X
D. 353,277	12/1994	Irvin	D6/410
D. 397,366	8/1998	Wamsley	.	
4,698,930	10/1987	McNair	40/617 X
4,805,330	2/1989	Bubernak	40/617
4,817,699	4/1989	Fein	40/617 X

FOREIGN PATENT DOCUMENTS

1257474 7/1989 Canada .

OTHER PUBLICATIONS

Outwater plastics, p. 339, clip located at bottom of page, May 1986.

Outwater Plastcis, p. 340, clip located at bottom of page, May 1986.

Fasteners for Retail 1997 Buyers Guide, Cover, Ceiling Display page, and pp. 40 and 41.

Instachange Displays Limited 1995 Display Guide, Cover and p. 50.

Primary Examiner—Holly Baynham
Attorney, Agent, or Firm—Fay, Sharpe, Fagan, Minnich & McKee, LLP

[57] **CLAIM**

The ornamental design for a banner hanger, as shown and described.

DESCRIPTION

FIG. 1 is a perspective view of a banner hanger showing my new design;

FIG. 2 is a front elevational view thereof;

FIG. 3 is a top plan view thereof;

FIG. 4 is a rear elevational view thereof;

FIG. 5 is a bottom plan view thereof;

FIG. 6 is a left side elevational view thereof in a closed position and shown as holding a portion of an associated banner, with the right side elevational view being a mirror image thereof; and,

FIG. 7 is a left side elevational view thereof in an open position and shown adjacent a portion of an associated banner.

The associated banner illustrated in dotted lines in FIGS. 6 and 7 forms no part of the claimed design.

1 Claim, 3 Drawing Sheets

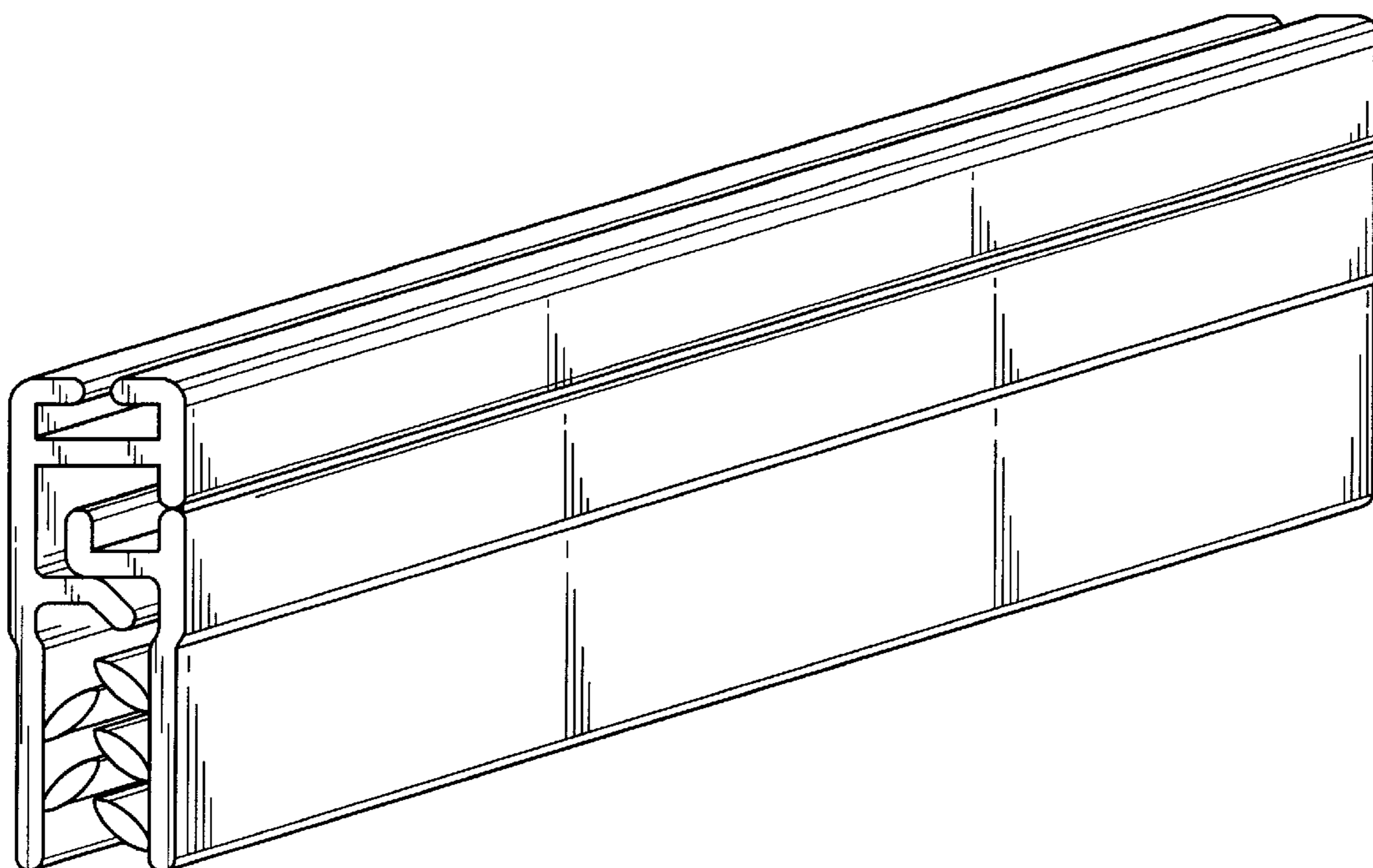


FIG. 1

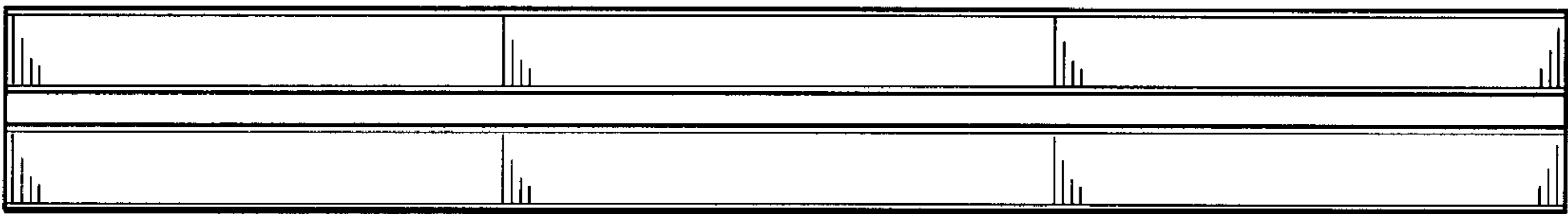
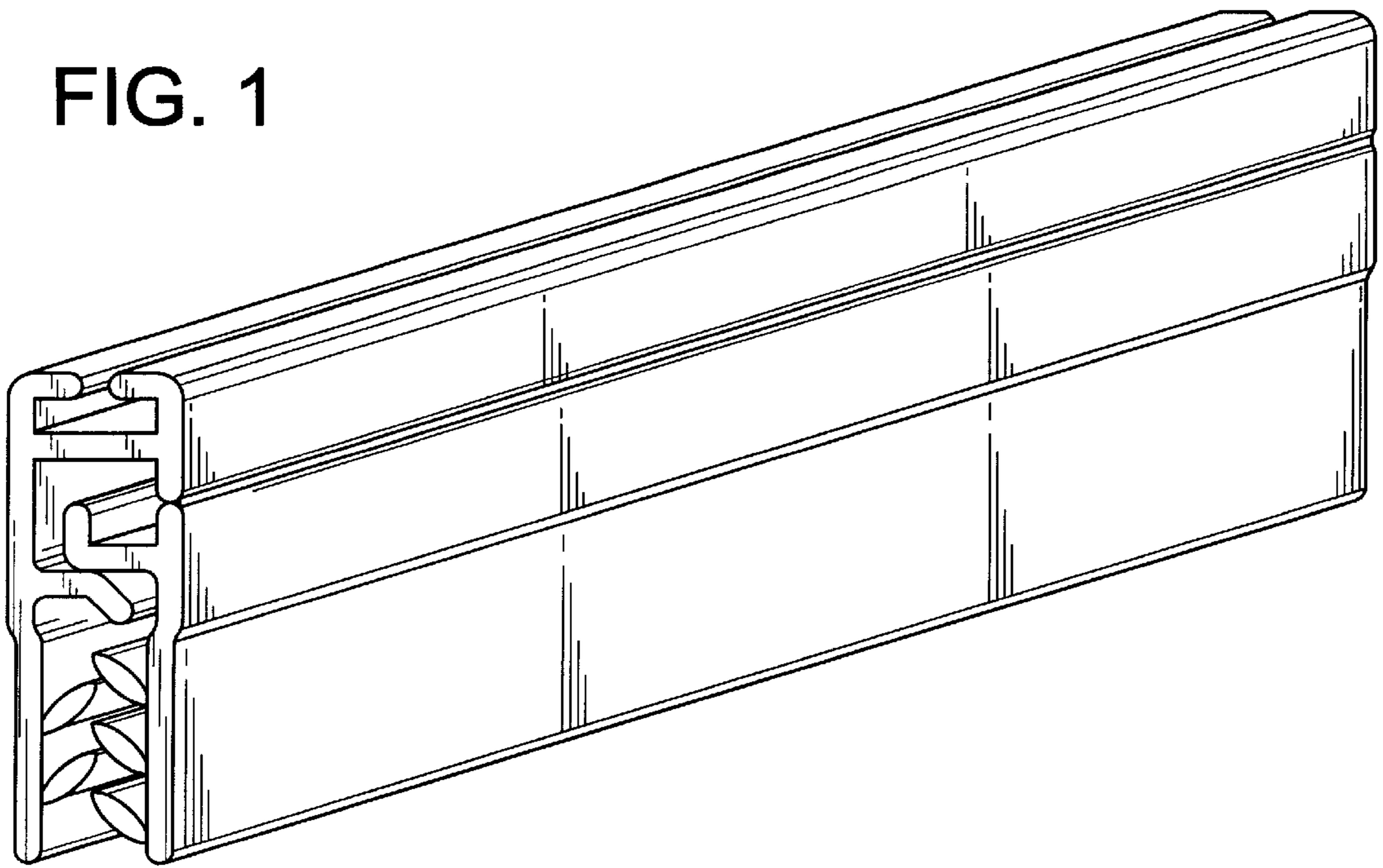


FIG. 3

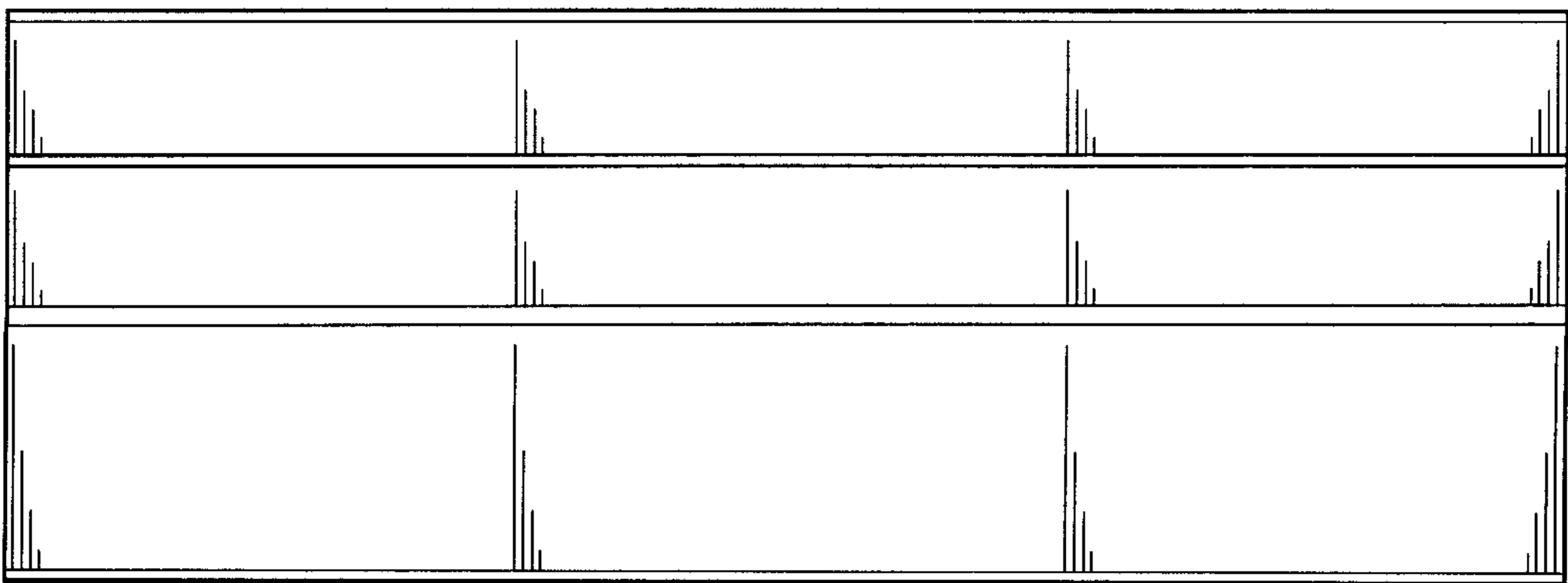


FIG. 2

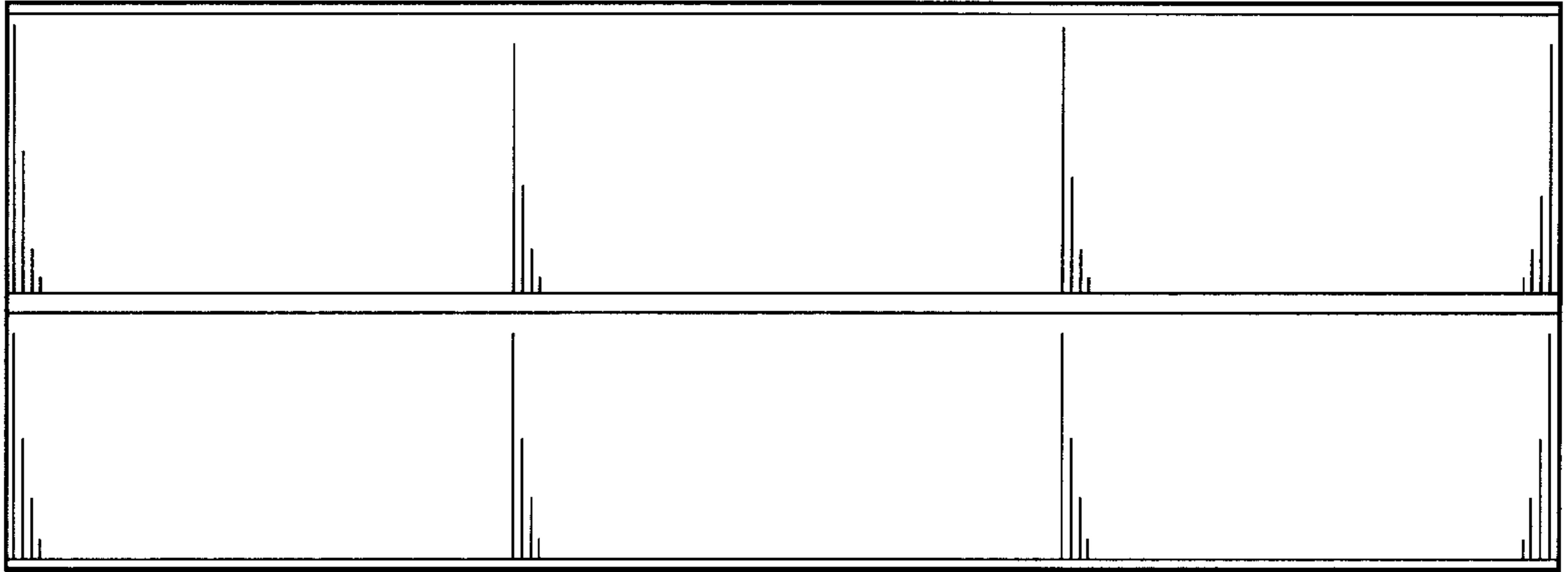


FIG. 4

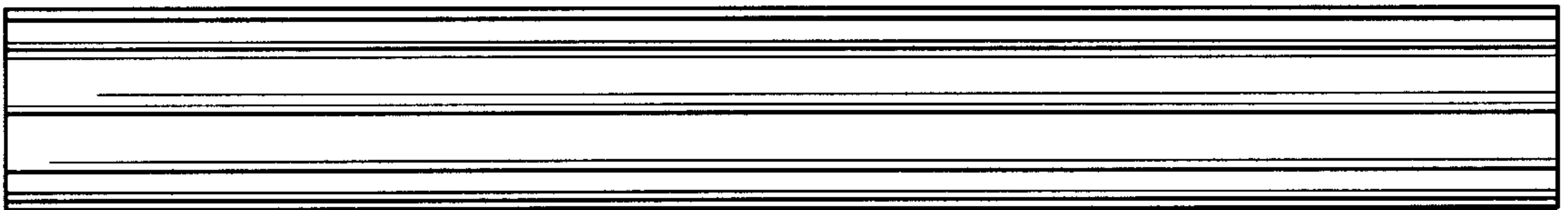


FIG. 5

FIG. 6

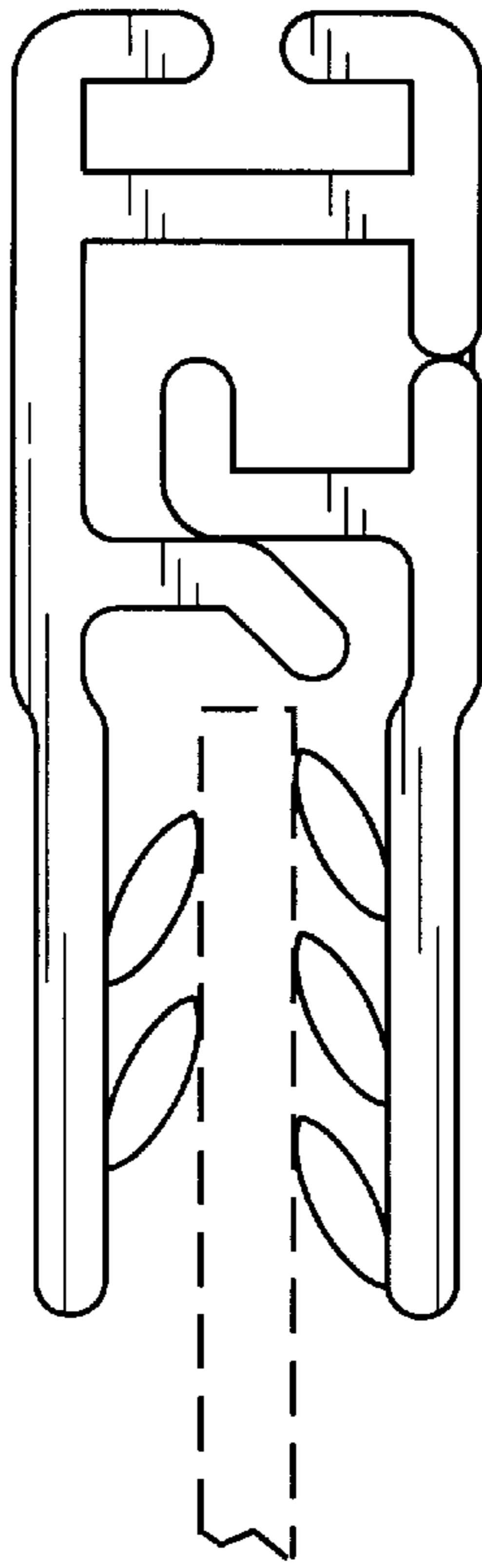


FIG. 7

