



US00D423589S

United States Patent [19]
Ichihara

[11] **Patent Number: Des. 423,589**

[45] **Date of Patent: ** Apr. 25, 2000**

[54] **APPARATUS FOR DISCHARGING A DISK BODY**

[75] Inventor: **Noboru Ichihara, Iwatuki, Japan**

[73] Assignee: **Asahi Seiko Co., Ltd., Japan**

[**] Term: **14 Years**

[21] Appl. No.: **29/085,965**

[22] Filed: **Apr. 1, 1998**

[30] **Foreign Application Priority Data**

Dec. 8, 1997 [JP] Japan 9-77464

[51] **LOC (6) Cl.** **20-01**

[52] **U.S. Cl.** **D20/9**

[58] **Field of Search** D3/304, 308; D20/8, D20/9; 194/344, 346, 350, 236

[56] **References Cited**

U.S. PATENT DOCUMENTS

D. 283,518 4/1986 Gardellini D20/8

D. 358,613 5/1995 Kovens et al. D20/8

D. 378,602 3/1997 Schwarzli D20/8

Primary Examiner—Nanda Bondade
Attorney, Agent, or Firm—McGlew & Tuttle, P.C.

1 Claim, 5 Drawing Sheets

[57] **CLAIM**

The ornamental design for an apparatus for discharging a disk body, as shown and described.

DESCRIPTION

FIG. 1 is a front right perspective view of the design of the present invention;
FIG. 2 is a front left perspective view of the design of the present invention;
FIG. 3 is a rear left perspective view of the design of the present invention;
FIG. 4 is a rear right perspective view of the design of the present invention;
FIG. 5 is a front elevational view of the design of the present invention;
FIG. 6 is a top plan view of the design of the present invention;
FIG. 7 is a right side elevational view of the design of the present invention;
FIG. 8 is a left side elevational view of the design of the present invention;
FIG. 9 is a rear elevational view of the design of the present invention; and,
FIG. 10 is a bottom plan view of the design of the present invention.

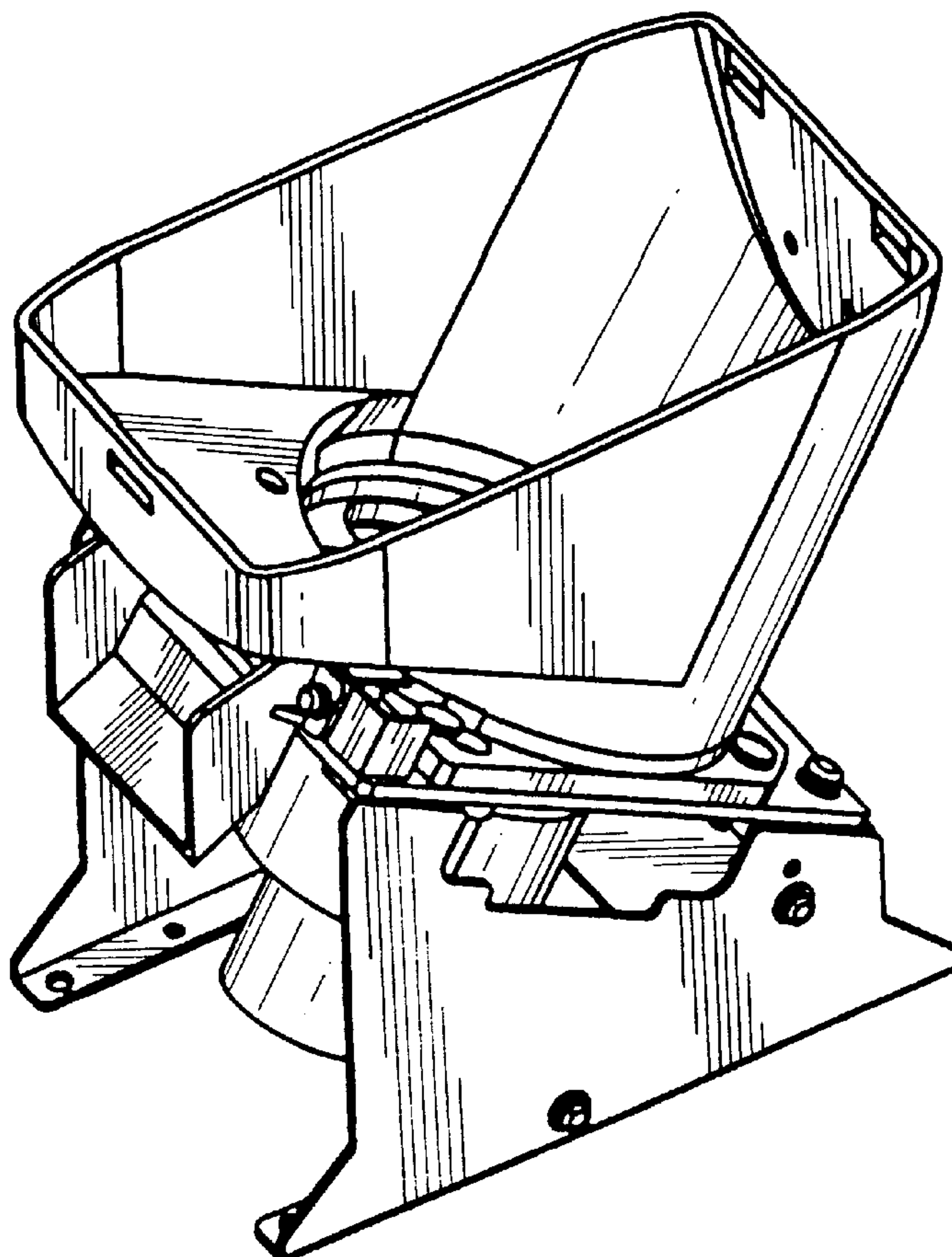


Fig. 1

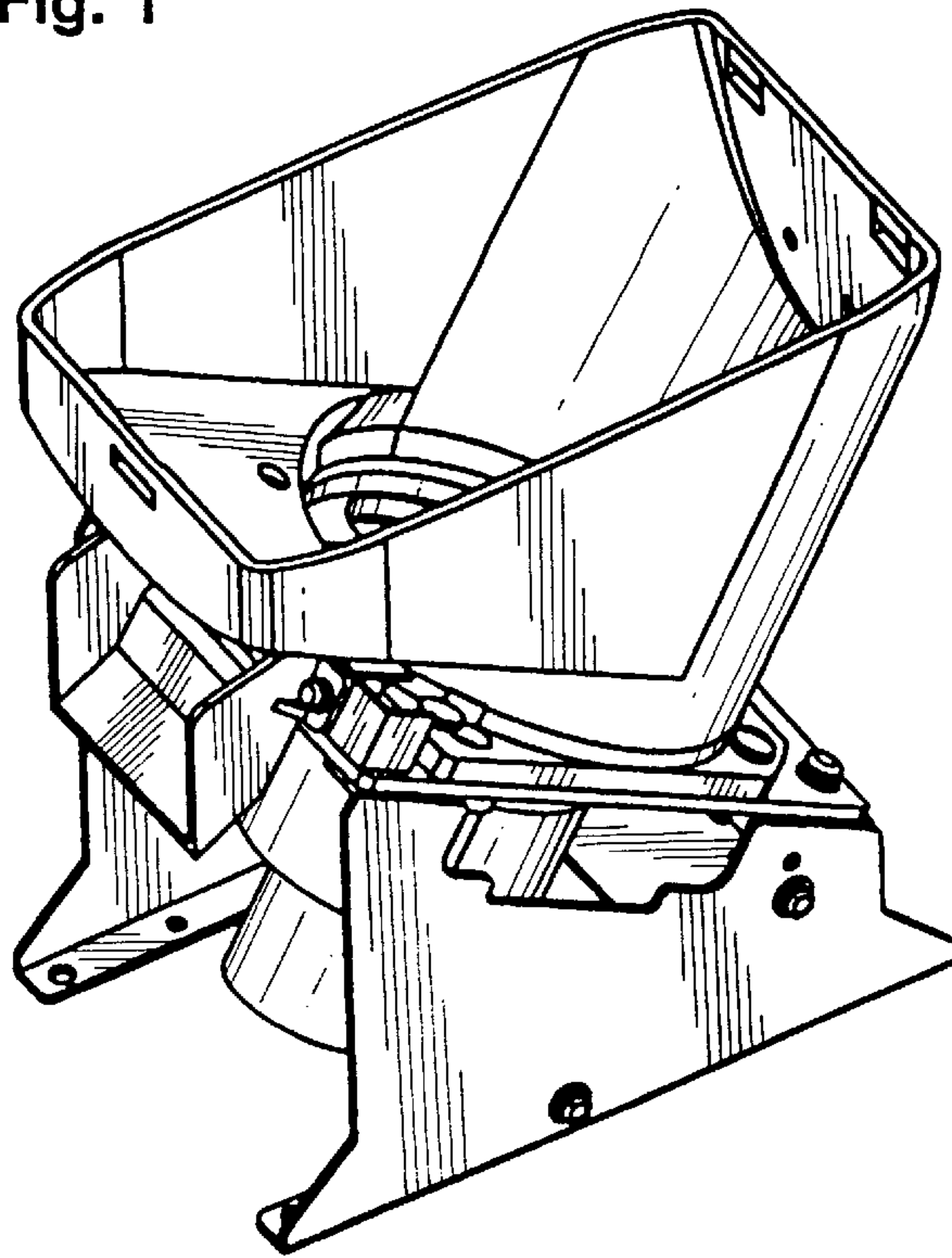


Fig. 2

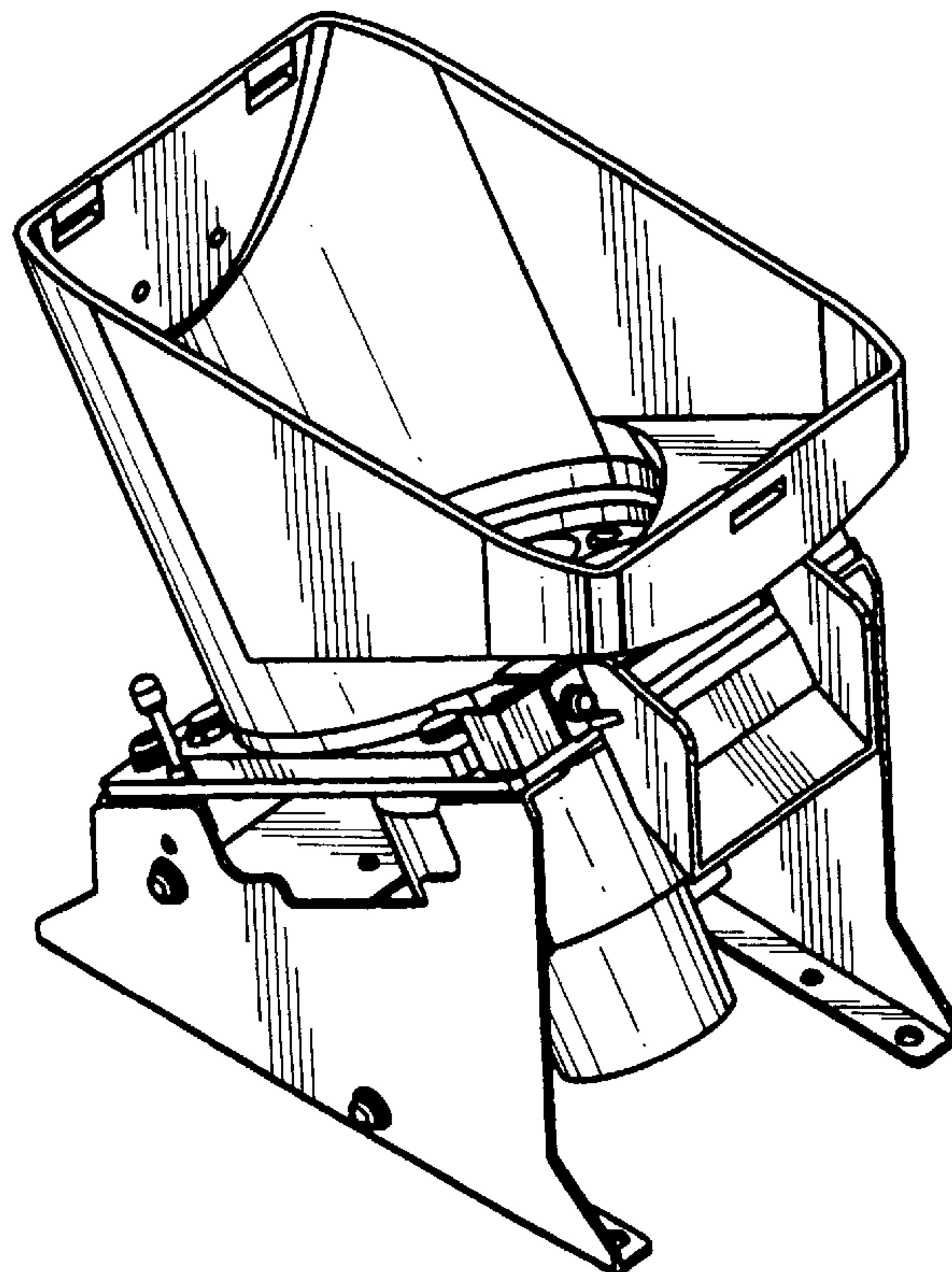


Fig. 3

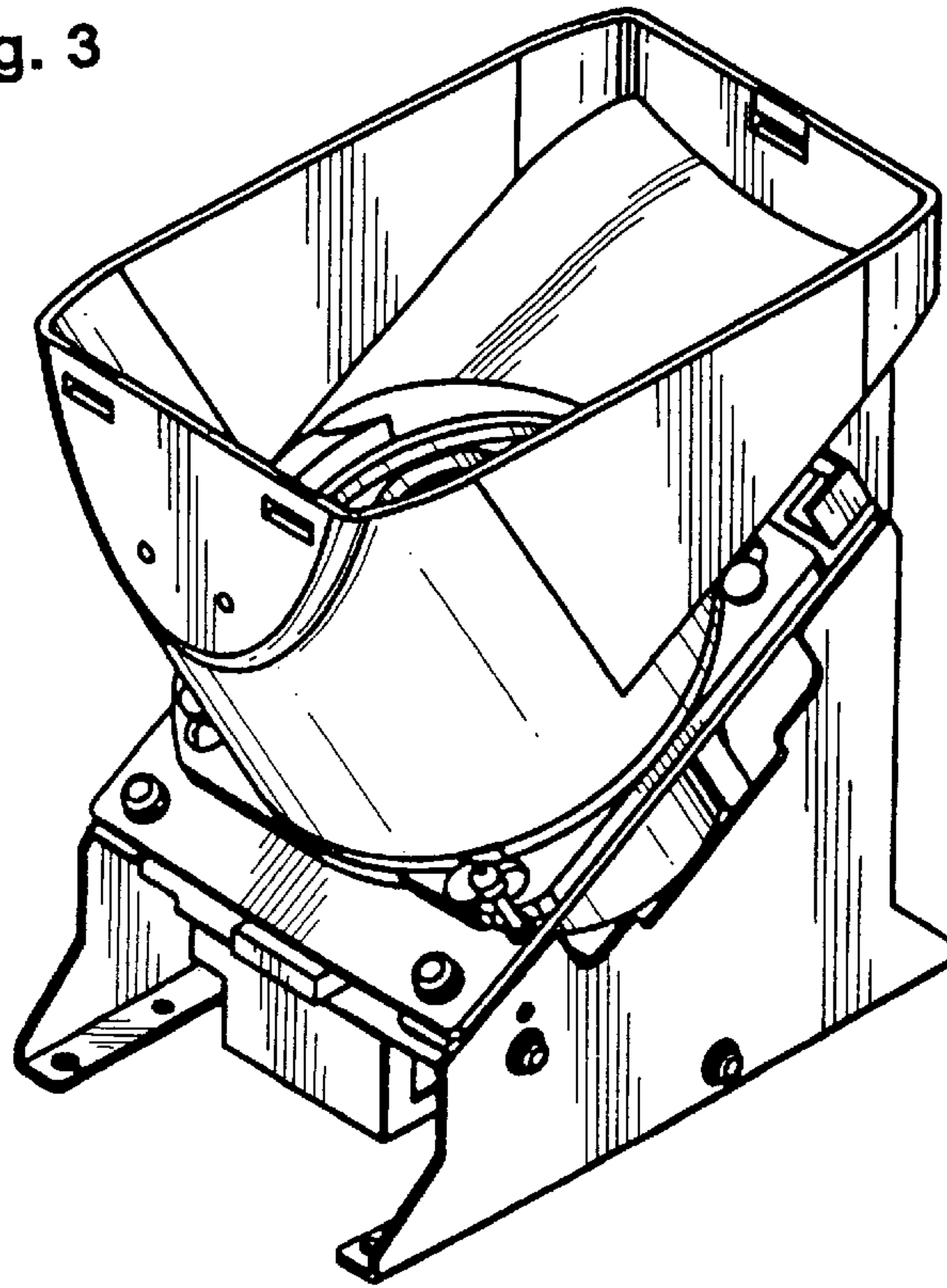


Fig. 4

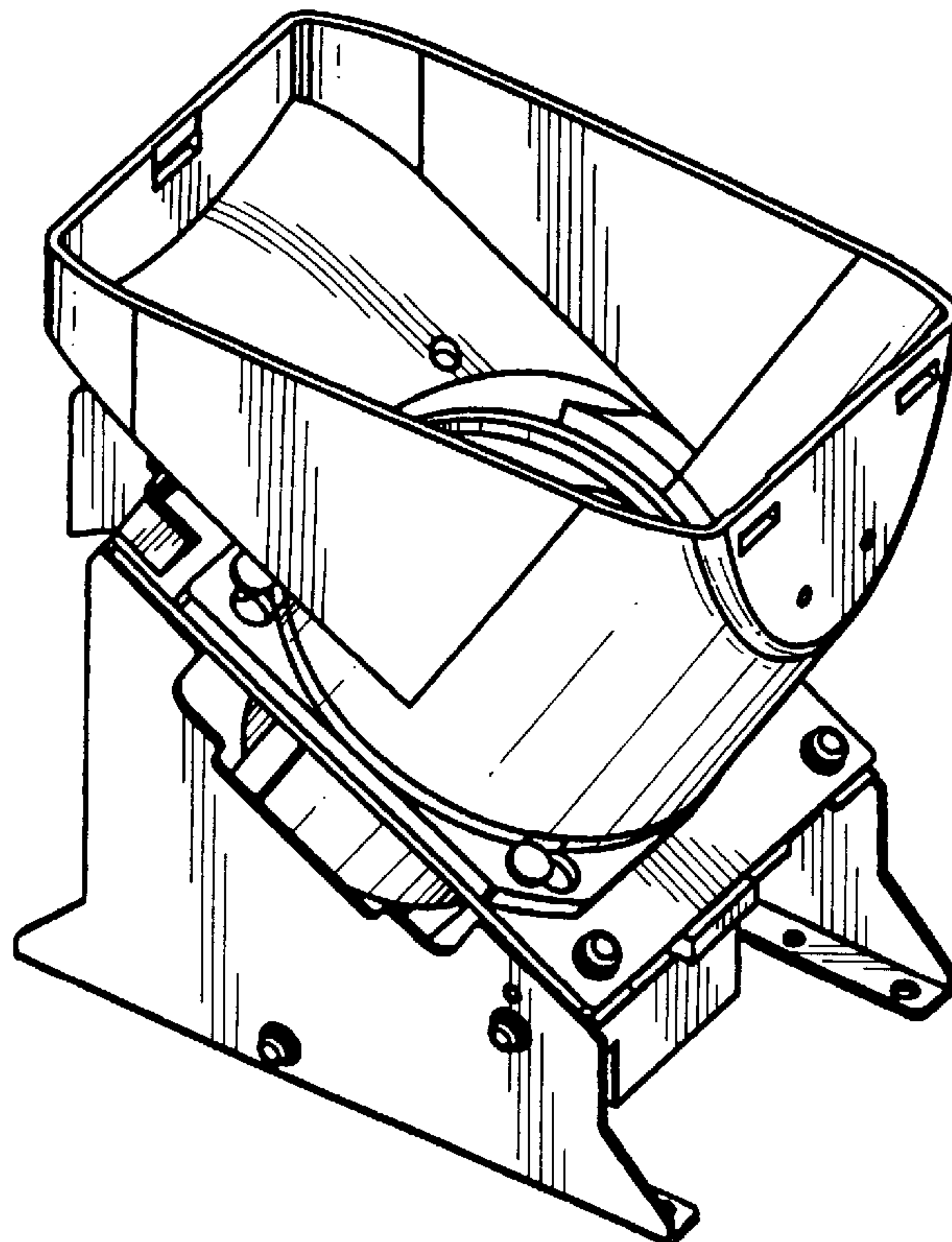


Fig. 5

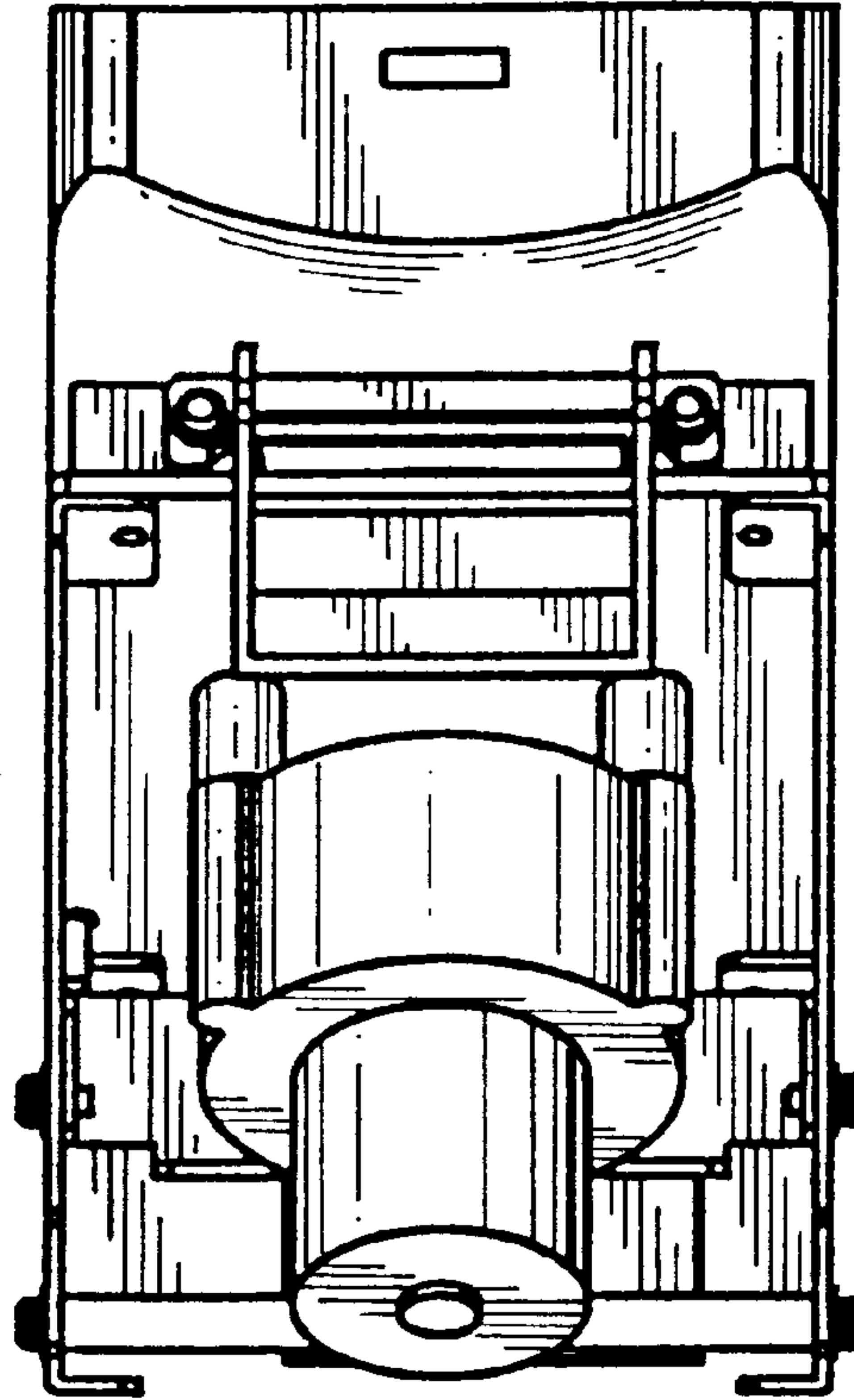


Fig. 6

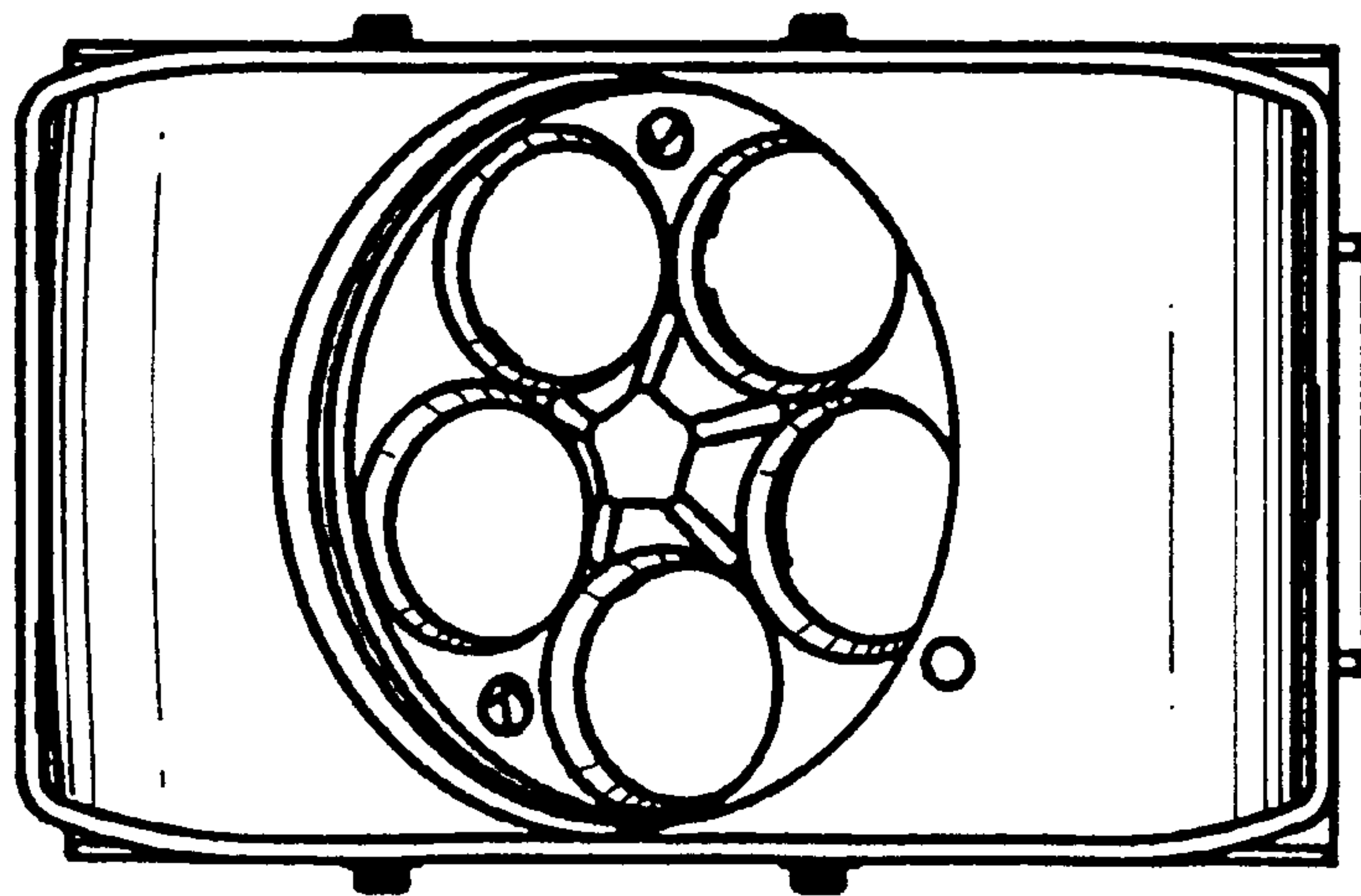


Fig. 7

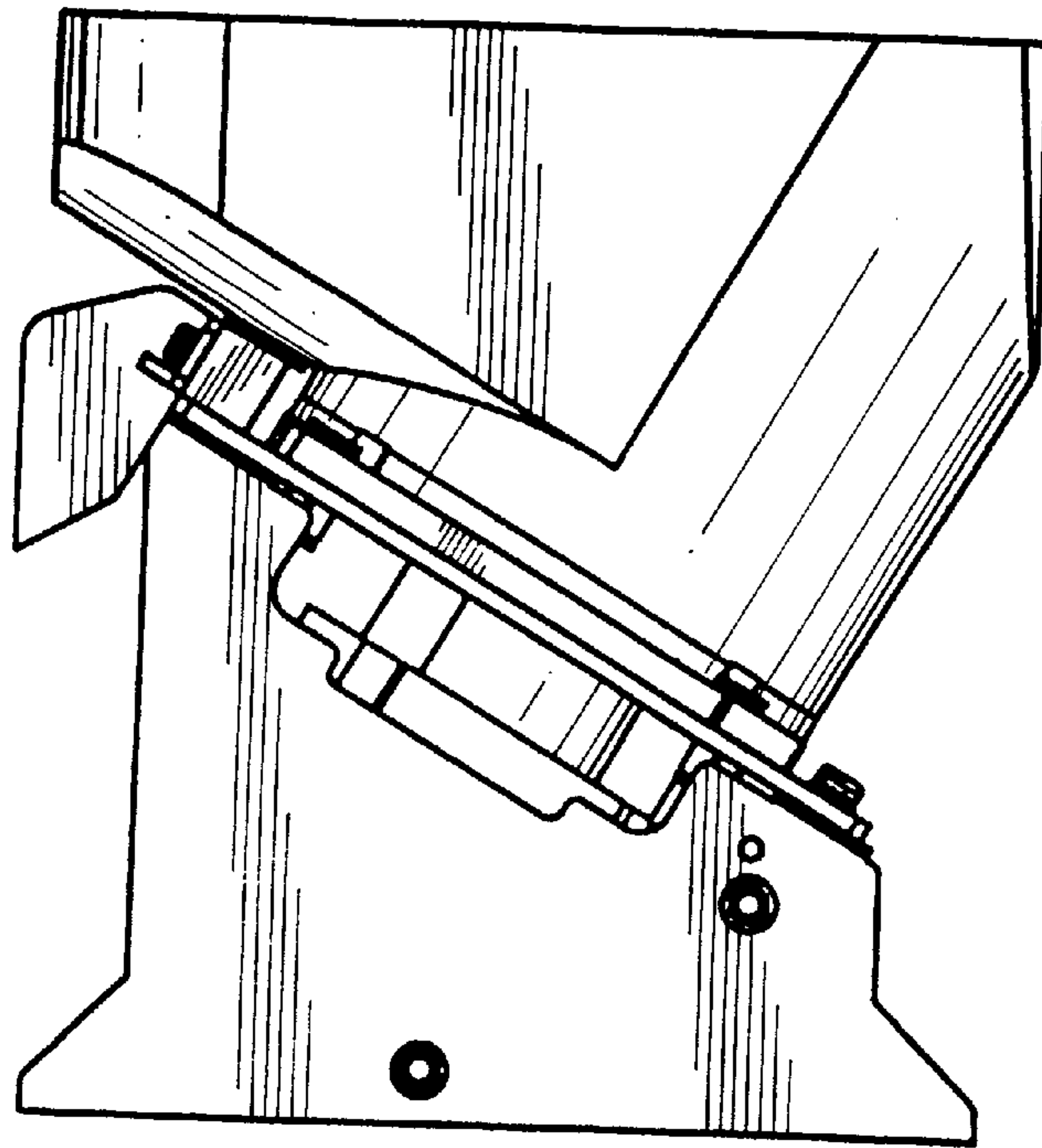


Fig. 8

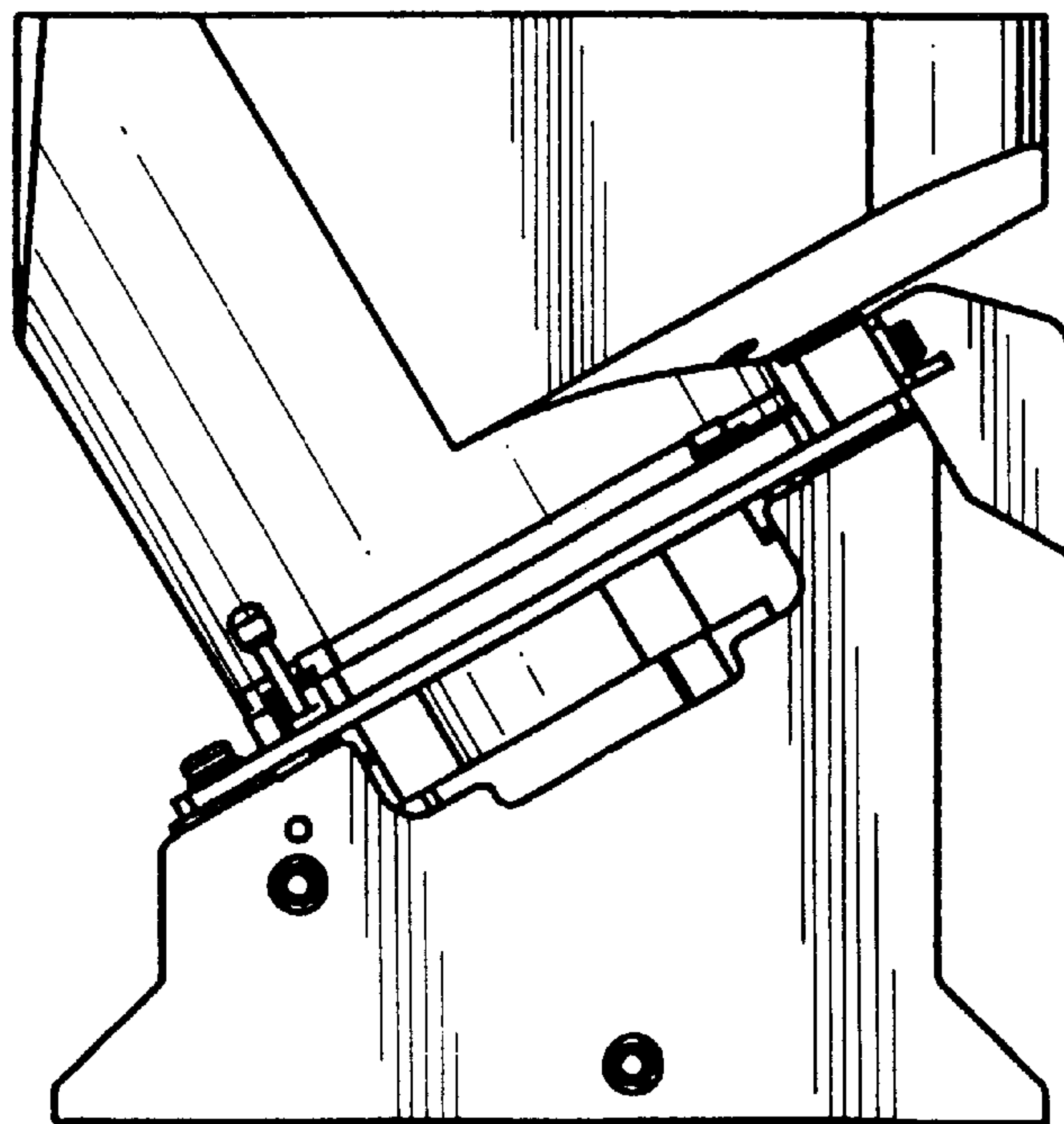


Fig. 9

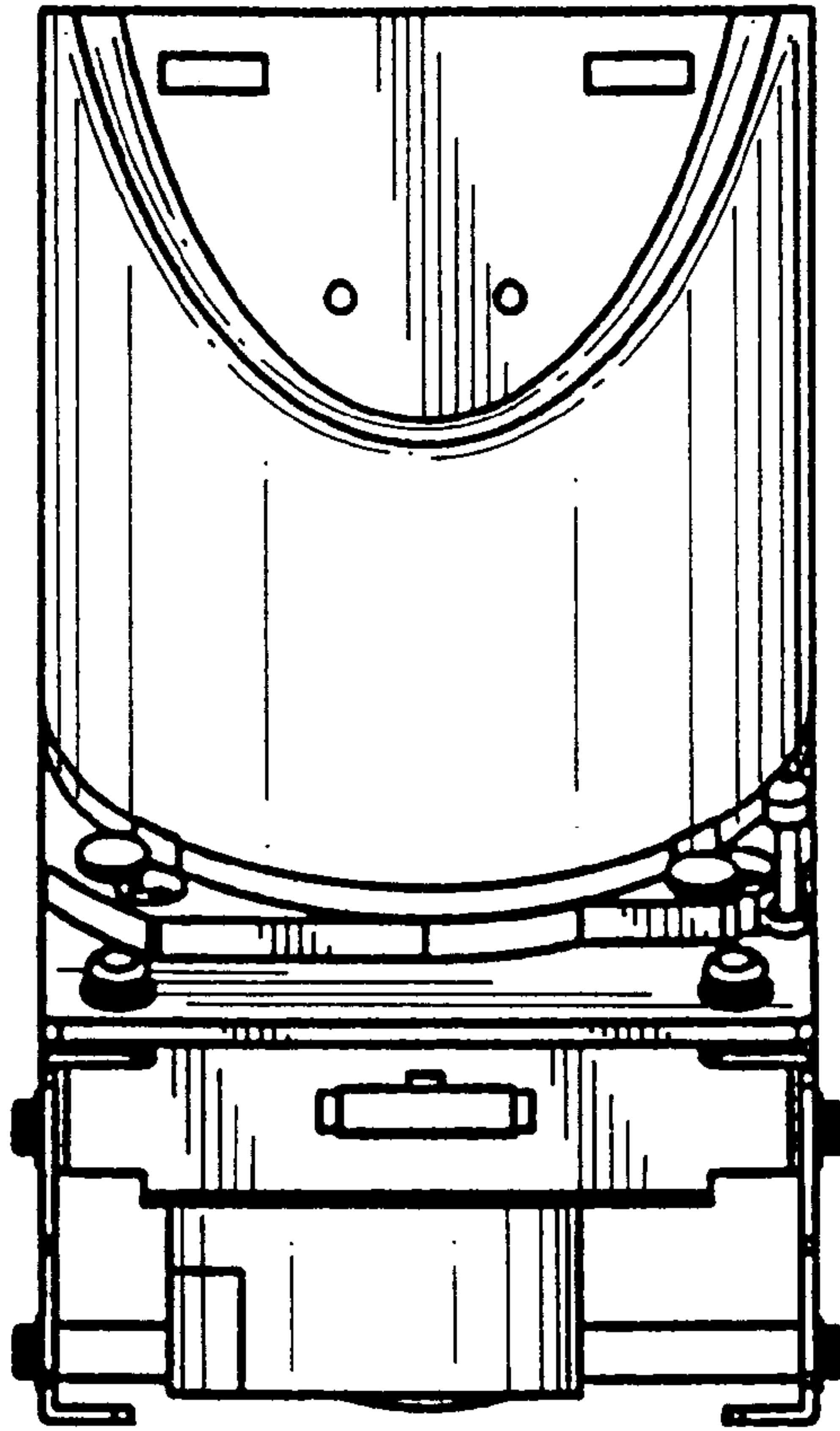


Fig. 10

