



US00D423588S

# United States Patent [19]

Koehneke et al.

[11] Patent Number: Des. 423,588

[45] Date of Patent: \*\* Apr. 25, 2000

[54] KNOB FOR CARD FILE

[75] Inventors: **Mark S. Koehneke**, Milwaukee; **Rob A. Eddy**, Madison; **Alan D. Bengtson**, Shorewood, all of Wis.

[73] Assignee: **Newell Office Products**, Madison, Wis.

[\*\*] Term: **14 Years**

[21] Appl. No.: **29/095,977**

[22] Filed: **Nov. 2, 1998**

[51] **LOC (6) Cl.** ..... **19-02**

[52] **U.S. Cl.** ..... **D19/99; D19/76**

[58] **Field of Search** ..... **D19/65, 75, 76, D19/78, 86, 90, 91, 95, 99, 100; 40/371-379; 211/50, 53, 56, 58, 300, 310, 312, 321; D9/452, 453**

### [56] References Cited

#### U.S. PATENT DOCUMENTS

D. 31,311	8/1899	Schroeder	.....	D9/453
D. 212,871	12/1968	Anderson	.....	D9/453
D. 239,700	4/1976	Maruca et al.	.....	D19/76
D. 241,430	9/1976	Maruca et al.	.....	D19/76
D. 290,323	6/1987	Weernink	.....	D7/511
D. 304,303	10/1989	Hurst et al.	.....	D9/453
D. 330,332	10/1992	Pezzoli et al.	.....	D9/435
D. 365,367	12/1995	Bell et al.	.....	D19/76

D. 387,734 12/1997 Hawkins, Jr. et al. .... D8/312 X  
3,628,269 12/1971 Dahl, Jr. .... 40/379

*Primary Examiner*—Martie K. Holtje  
*Attorney, Agent, or Firm*—Foley & Lardner

### [57] CLAIM

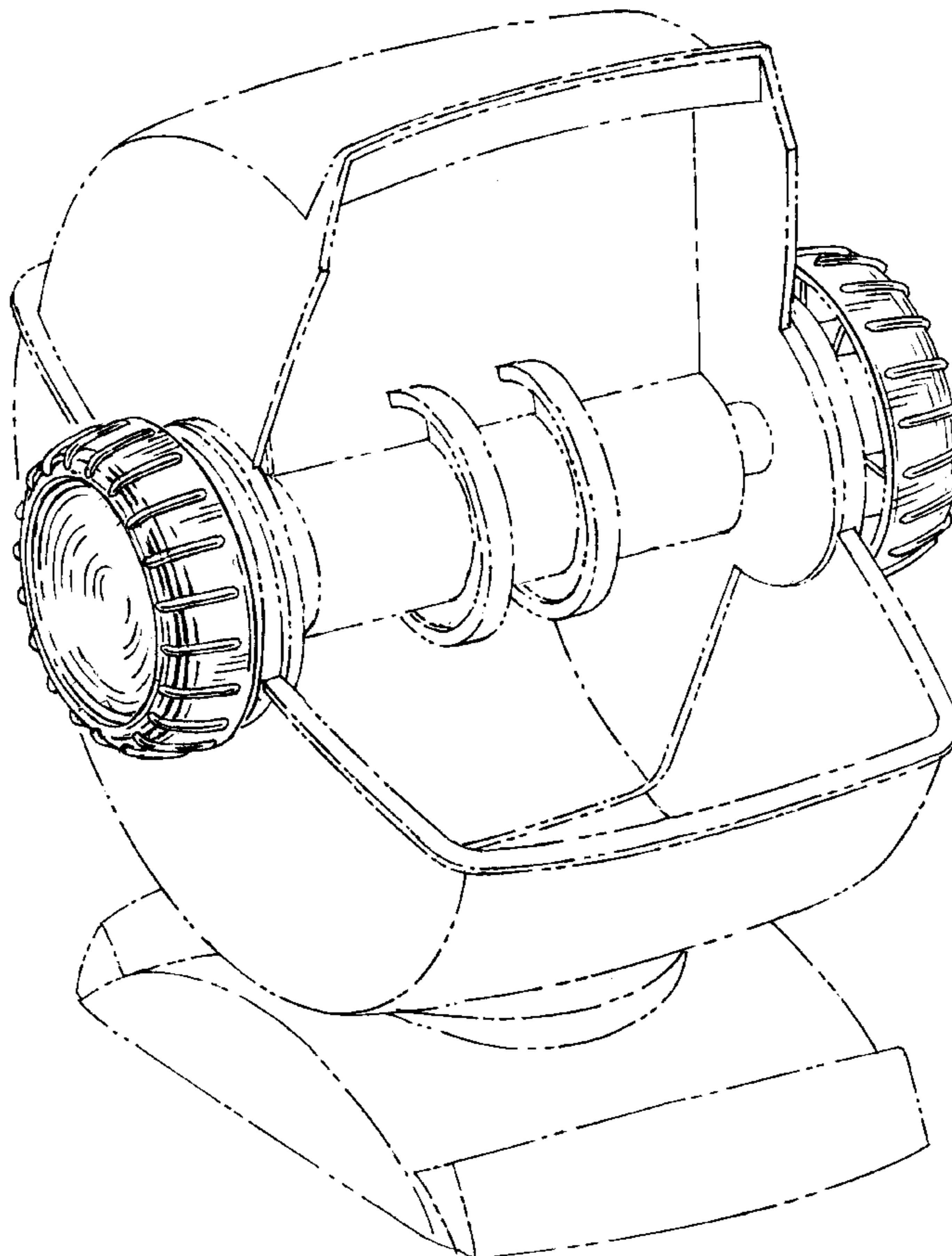
The ornamental design for a knob for card file, as shown and described.

### DESCRIPTION

FIG. 1 is a perspective view of a knob for a card file; FIG. 2 is a front view of the knob shown in FIG. 1; FIG. 3 is a right side view of the knob shown in FIG. 1 with the left side view being the same; FIG. 4 is a rear view of the knob shown in FIG. 1; FIG. 5 is a view along line 5—5 of FIG. 2 of the knob shown in FIG. 1; FIG. 6 is a perspective view of an alternative embodiment of the knob for a card file as shown in FIG. 1; FIG. 7 is a front view of the knob shown in FIG. 6; FIG. 8 is a right side view of the knob shown in FIG. 6 with the left side view being the same; FIG. 9 is a rear view of the knob shown in FIG. 6; and, FIG. 10 is a view along line 10—10 of FIG. 7 of the knob shown in FIG. 6.

The broken lines showing portions of the knob for card file and the card file in FIGS. 1-10 are for illustrative purposes only and form no part of the claimed design.

**1 Claim, 4 Drawing Sheets**



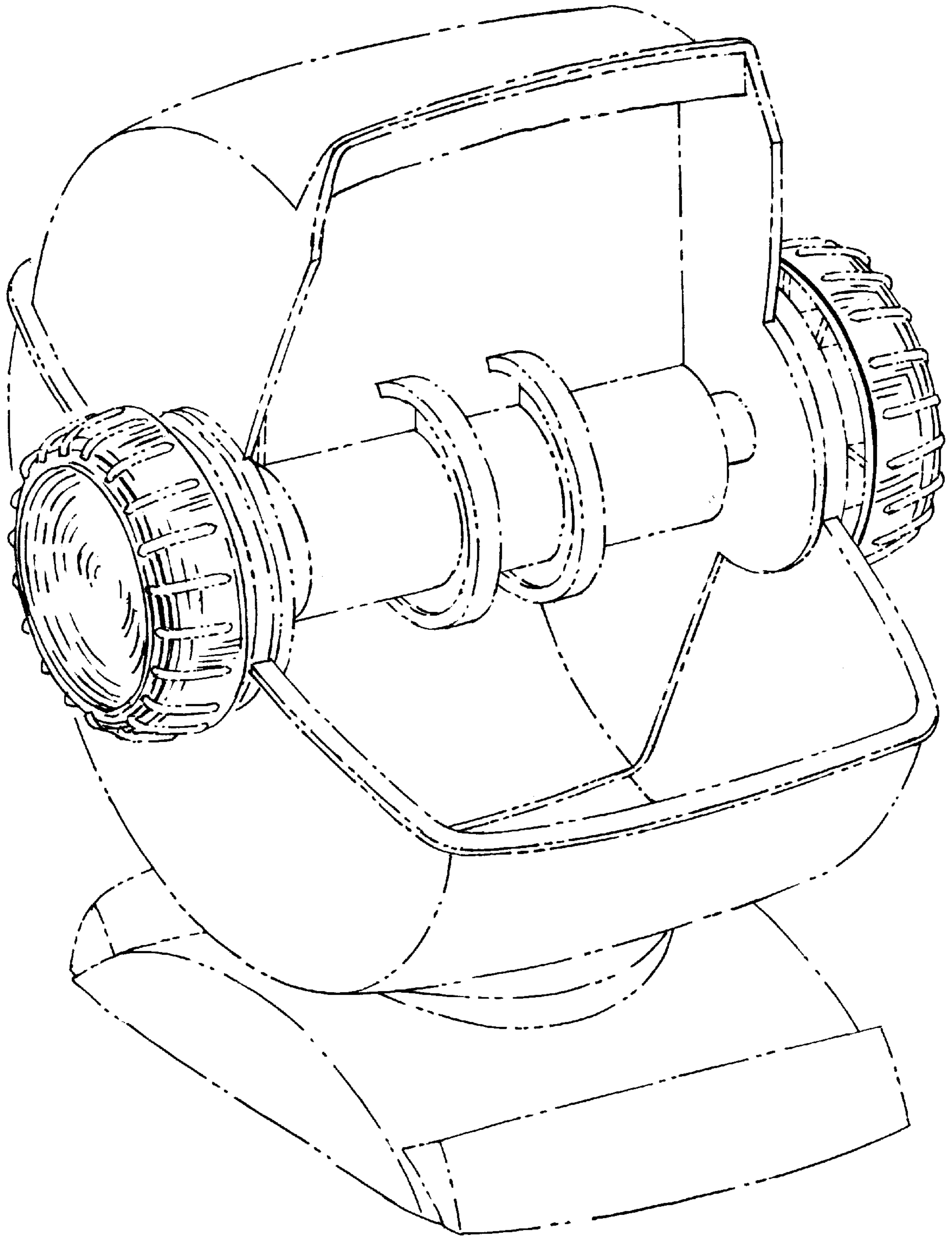
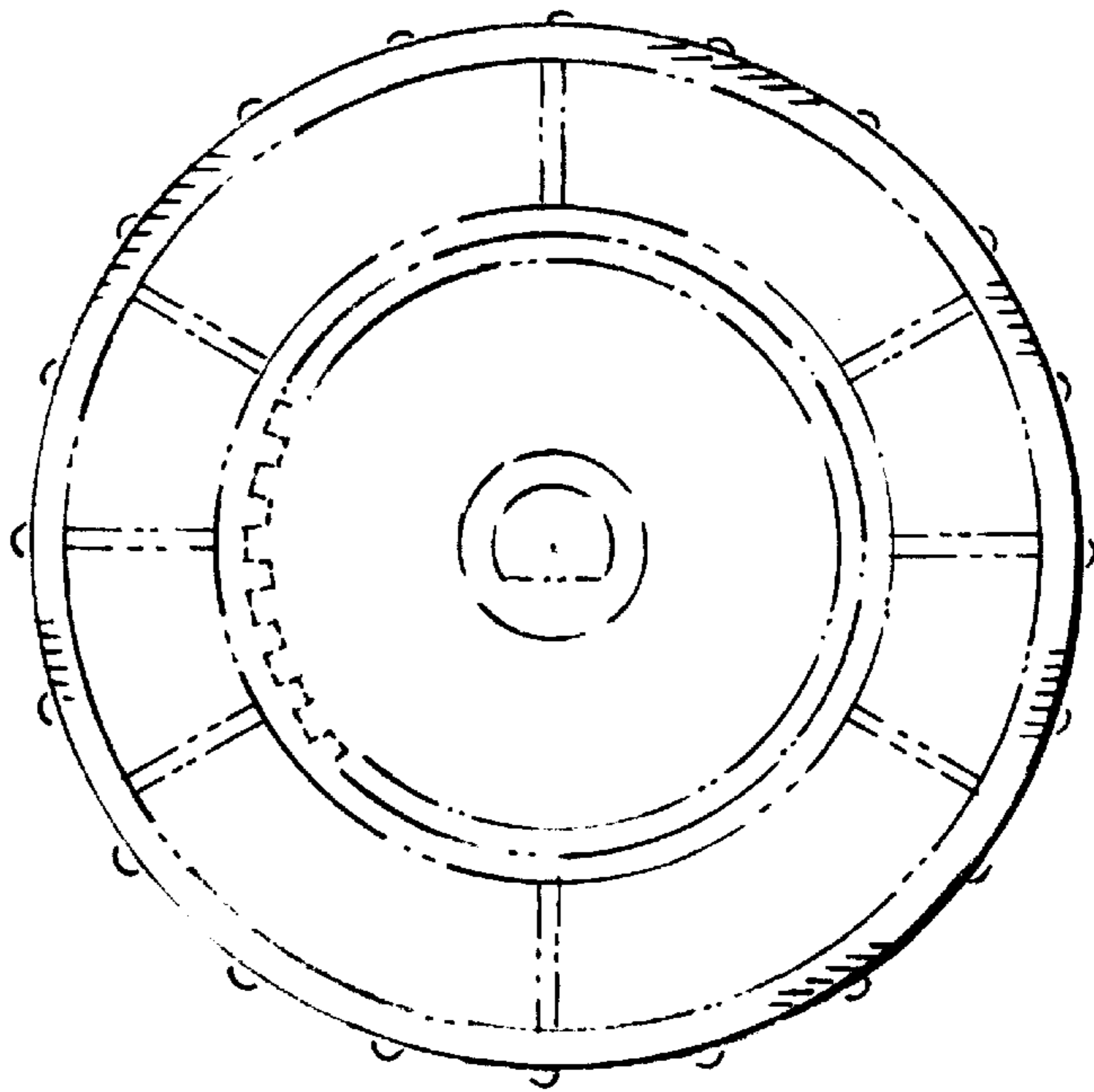
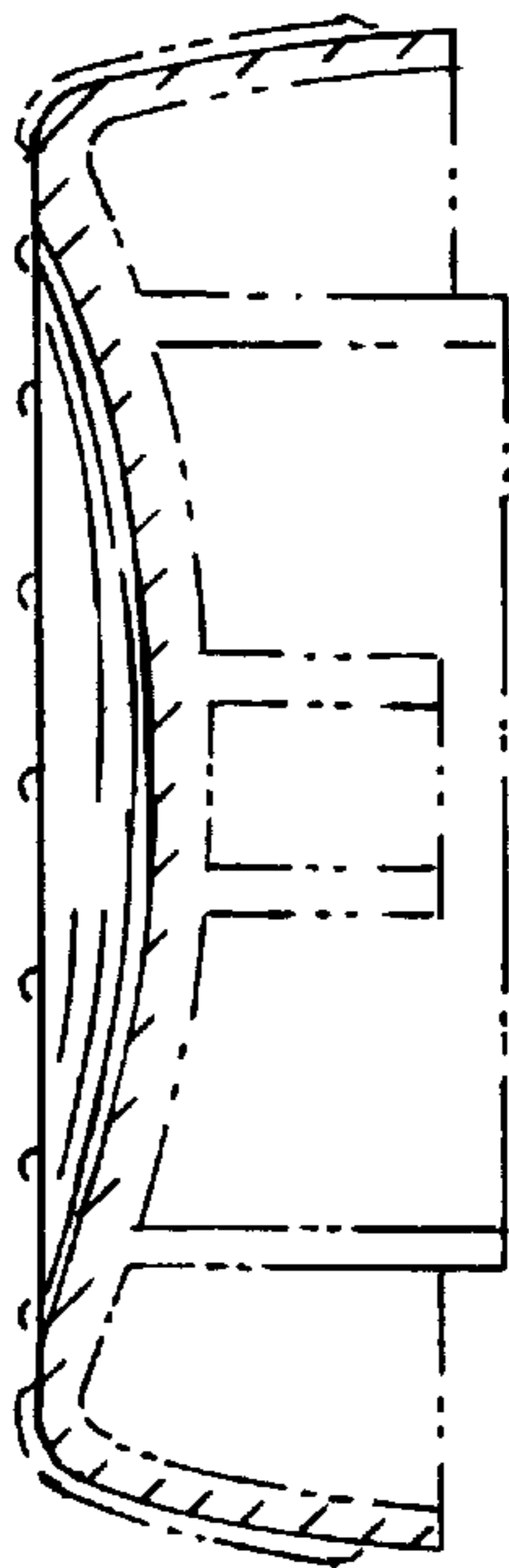
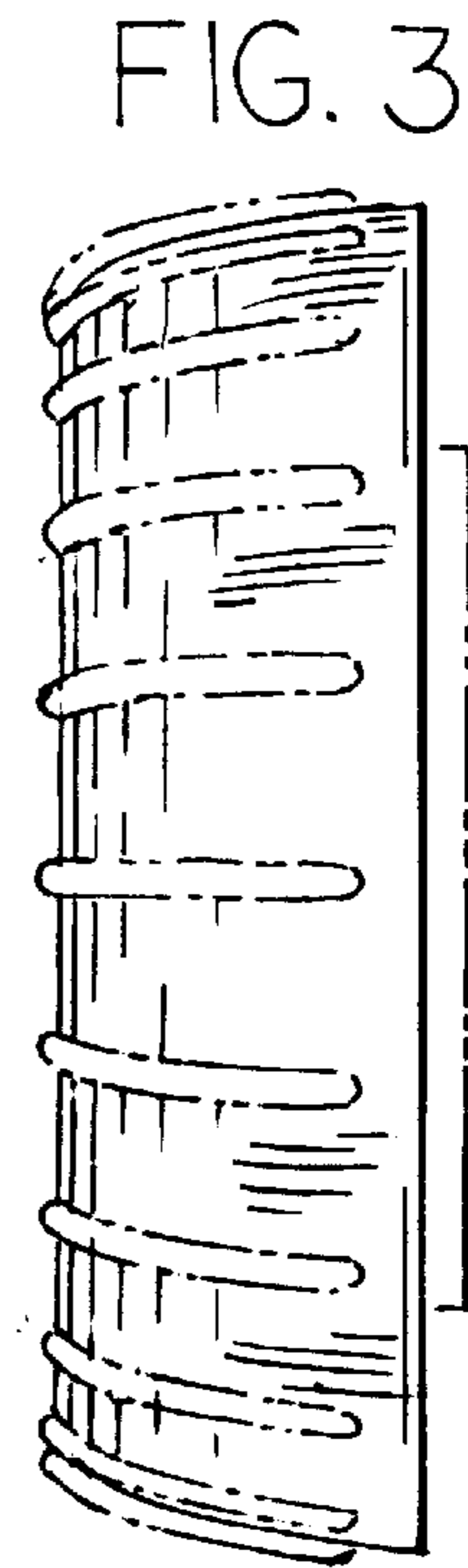
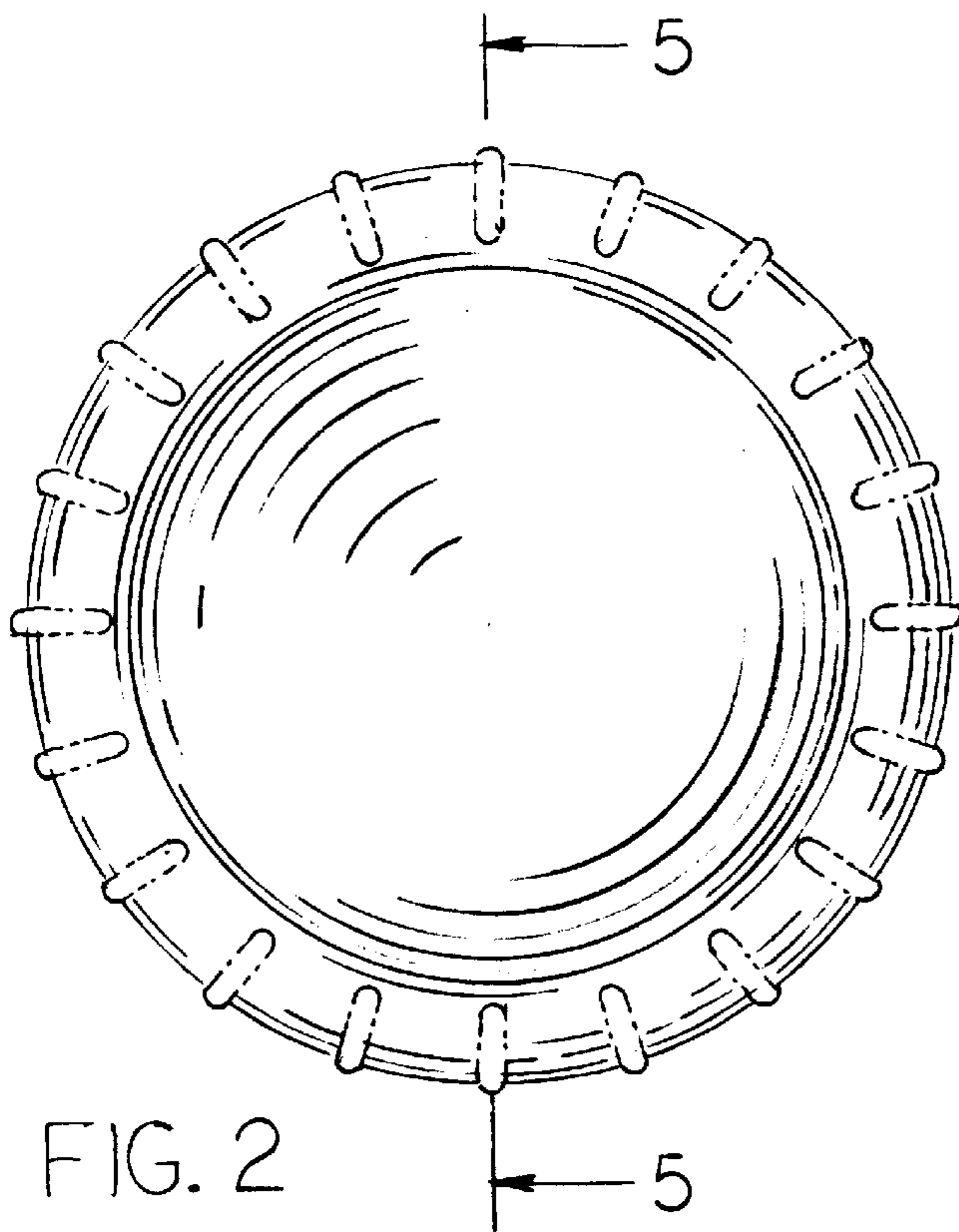


FIG. 1



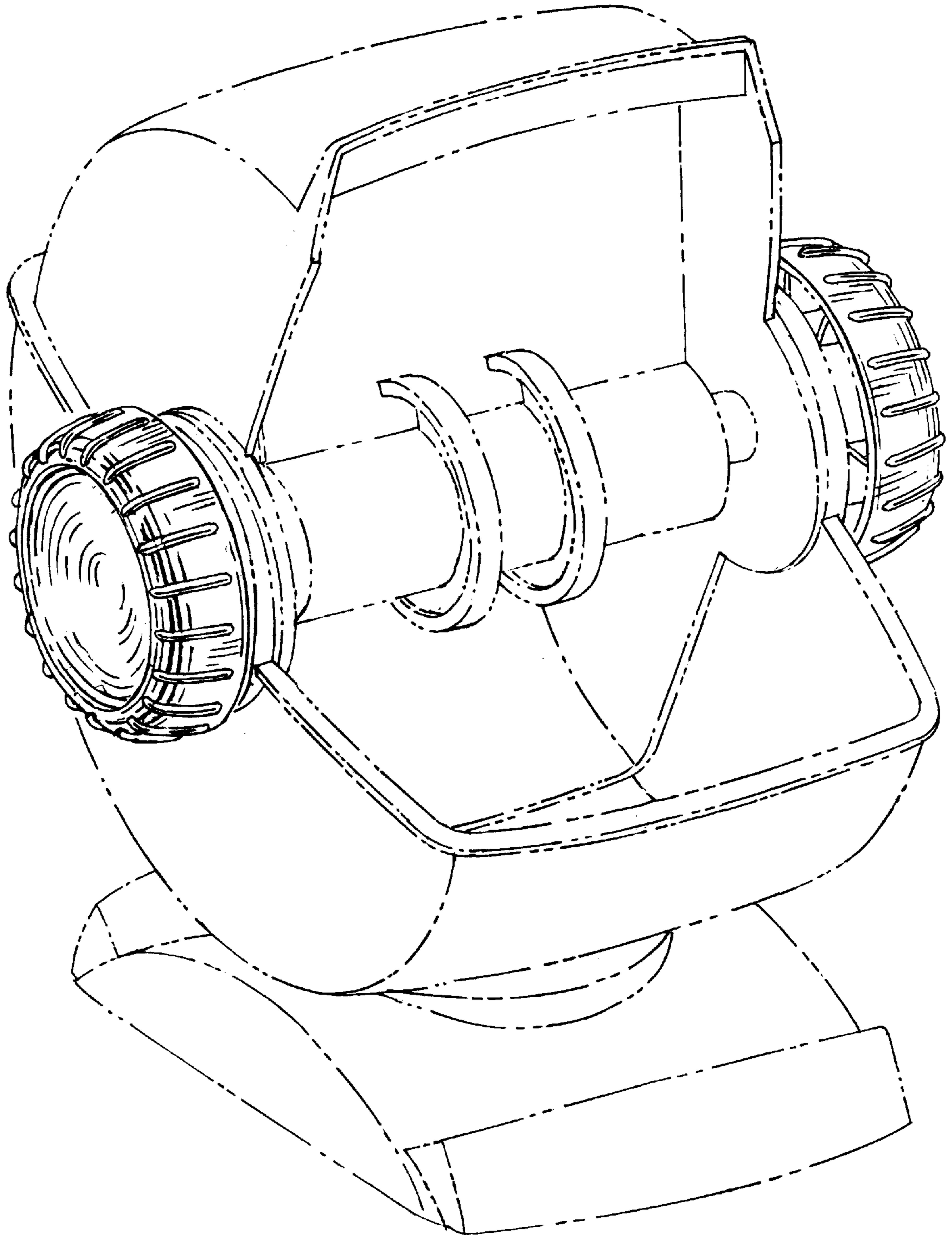


FIG. 6

