



US00D423586S

# United States Patent [19] Kurata

[11] **Patent Number: Des. 423,586**  
[45] **Date of Patent: \*\* Apr. 25, 2000**

[54] **BOX INCLUDING PHOTO CASES**

4,627,535 12/1986 Kirchner et al. .... 206/387

[75] Inventor: **Yukiharu Kurata**, Yao, Japan

### FOREIGN PATENT DOCUMENTS

[73] Assignee: **Nakabayashi Co., Ltd.**, Japan

57-147071 7/1956 Japan .

56-67296 6/1981 Japan .

3-49904 4/1988 Japan .

[\*\*] Term: **14 Years**

[21] Appl. No.: **29/037,699**

*Primary Examiner*—Martie Thompson

*Attorney, Agent, or Firm*—Thompson Hine & Flory LLP

[22] Filed: **Apr. 19, 1995**

### [57] CLAIM

### [30] Foreign Application Priority Data

The ornamental design for a box including photo cases, as shown and described.

Nov. 16, 1994 [JP] Japan ..... 6-35029

### DESCRIPTION

[51] **LOC (6) Cl.** ..... **19-02**

[52] **U.S. Cl.** ..... **D19/75; D19/76; D6/632**

[58] **Field of Search** ..... D19/75, 76, 86,  
D19/90, 91, 95, 99, 100; D6/407, 626-627,  
629, 632, 634; 206/387, 425, 444; 220/22.1,  
22.3; D16/237, 250

FIG. 1 is a front elevational view of my new box including photo cases;

FIG. 2 is a right side elevational view thereof;

FIG. 3 is a left side elevational view thereof;

FIG. 4 is a top plan view thereof;

FIG. 5 is a bottom plan view thereof;

FIG. 6 is a cross-sectional enlarged view thereof taken along line 6-6 of FIG. 1;

FIG. 7 is a cross-sectional enlarged view thereof taken along line 7-7 of FIG. 2; and,

FIG. 8 is a perspective view thereof.

### [56] References Cited

#### U.S. PATENT DOCUMENTS

D. 258,295 2/1981 Evenson ..... D19/76

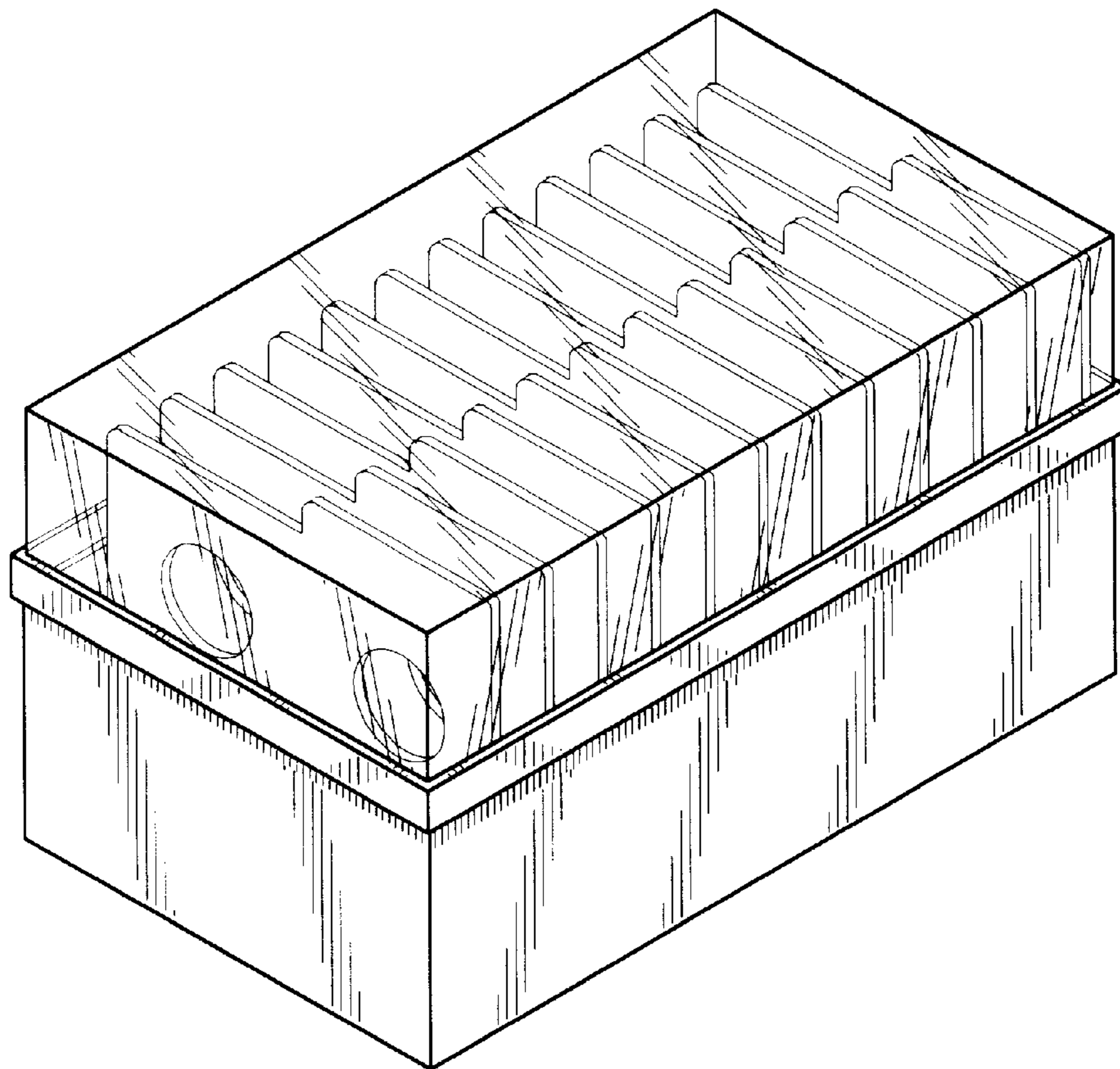
D. 264,145 5/1982 Outcalt ..... D19/910 X

D. 287,425 12/1986 Kirchner ..... D19/76 X

D. 313,500 1/1991 Chow ..... D19/76 X

1,465,827 8/1923 Kunkel ..... 206/425

**1 Claim, 3 Drawing Sheets**



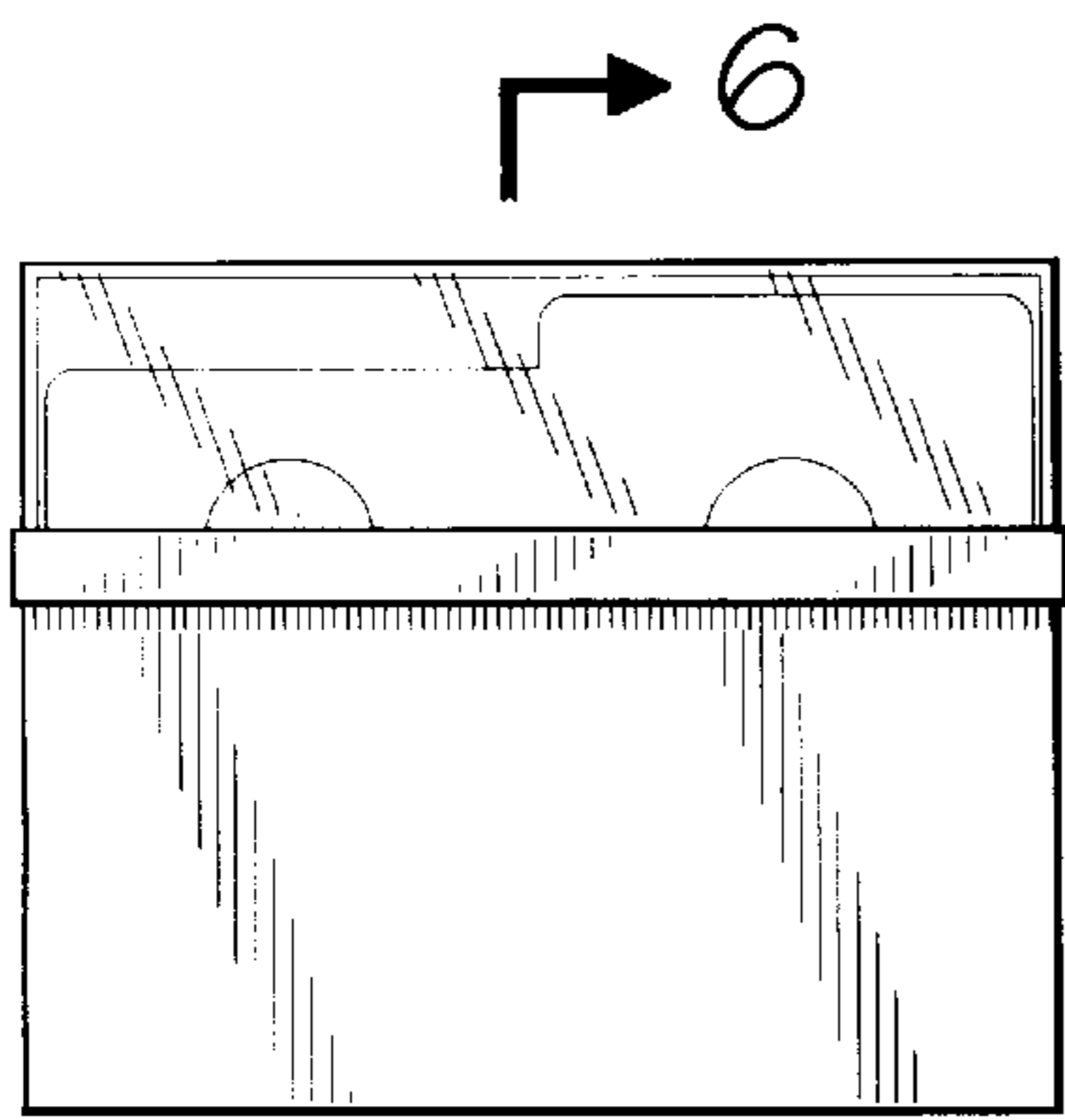


FIG. 1

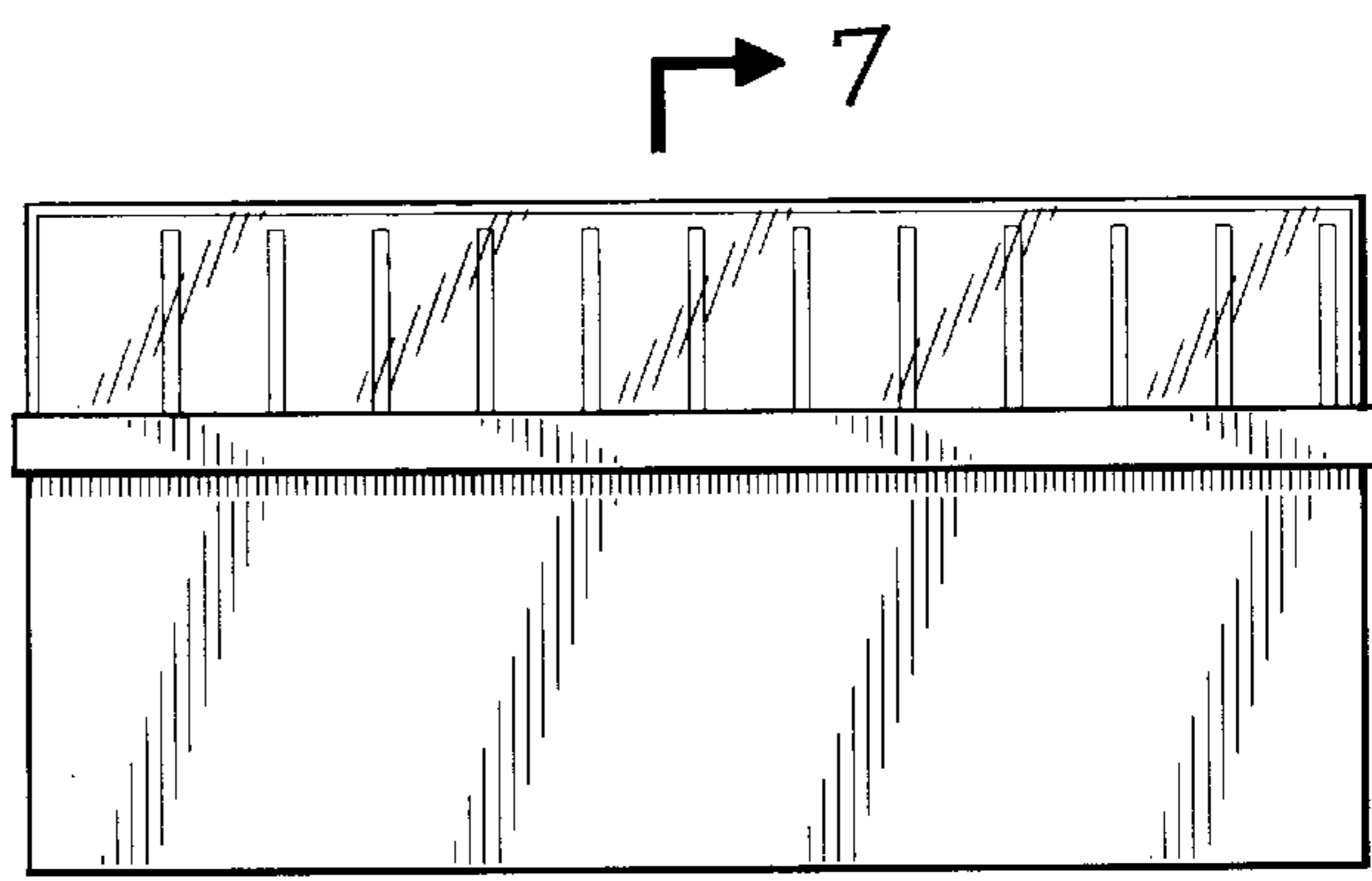


FIG. 2

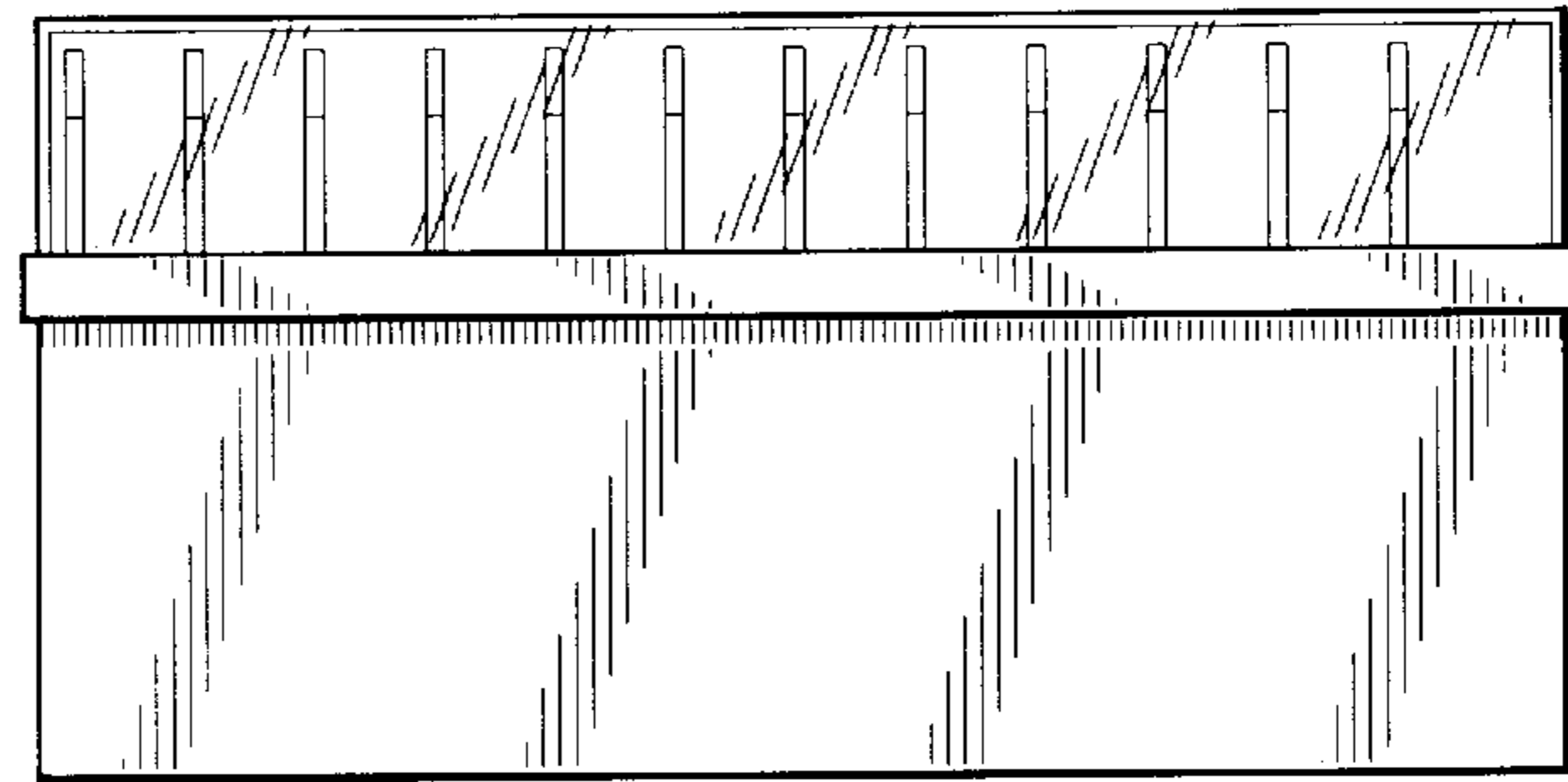


FIG. 3

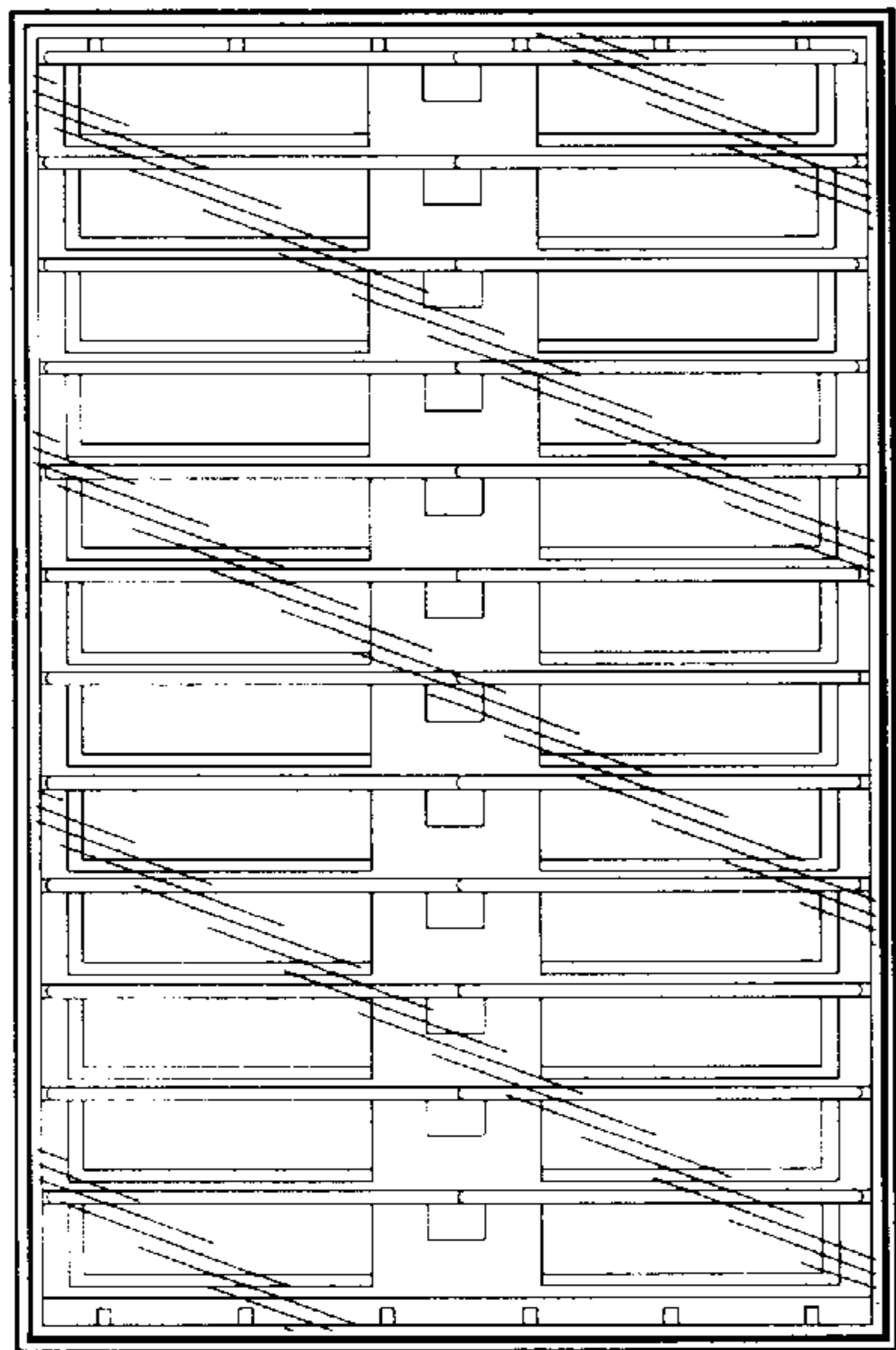


FIG. 4

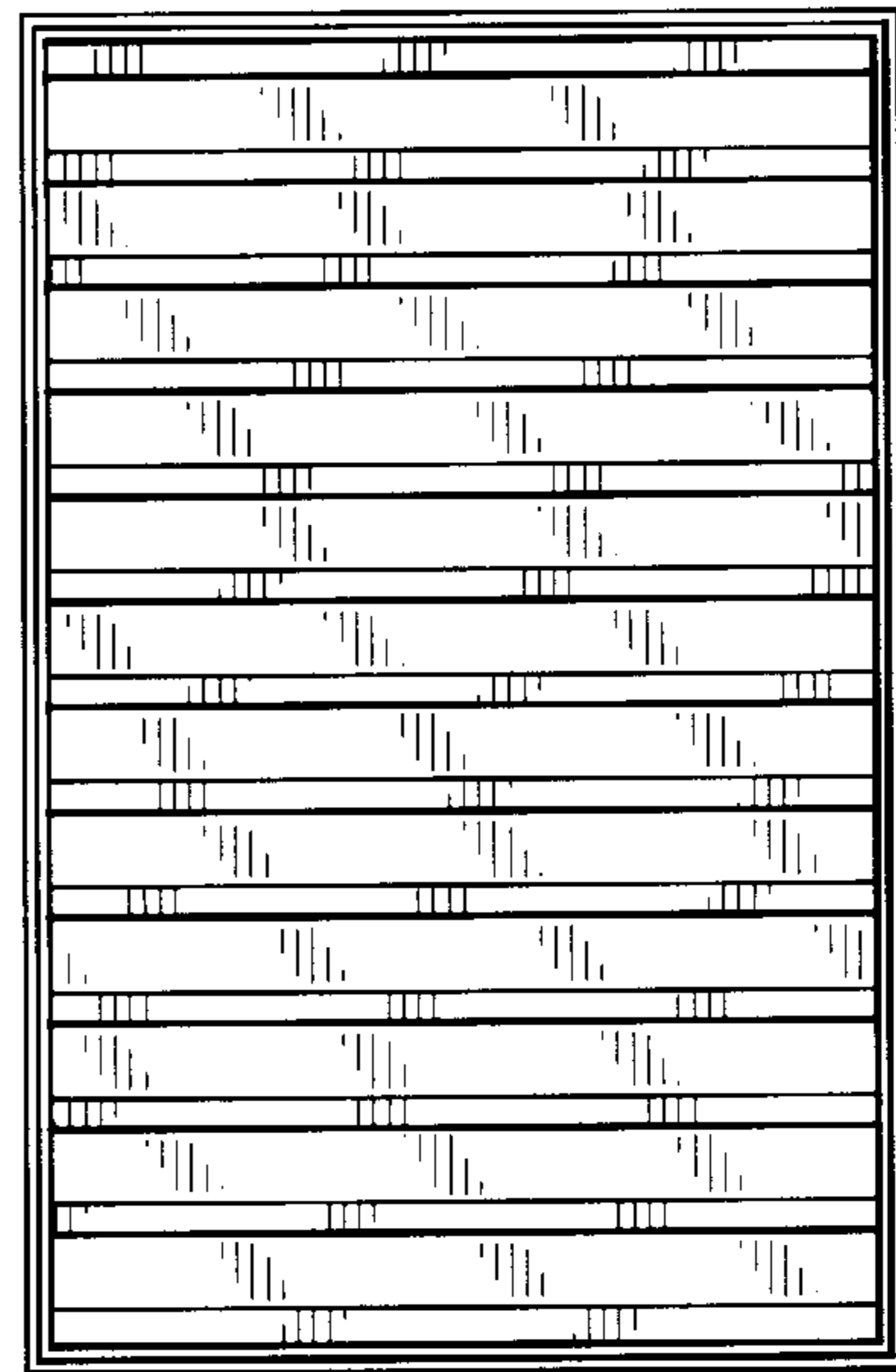


FIG. 5

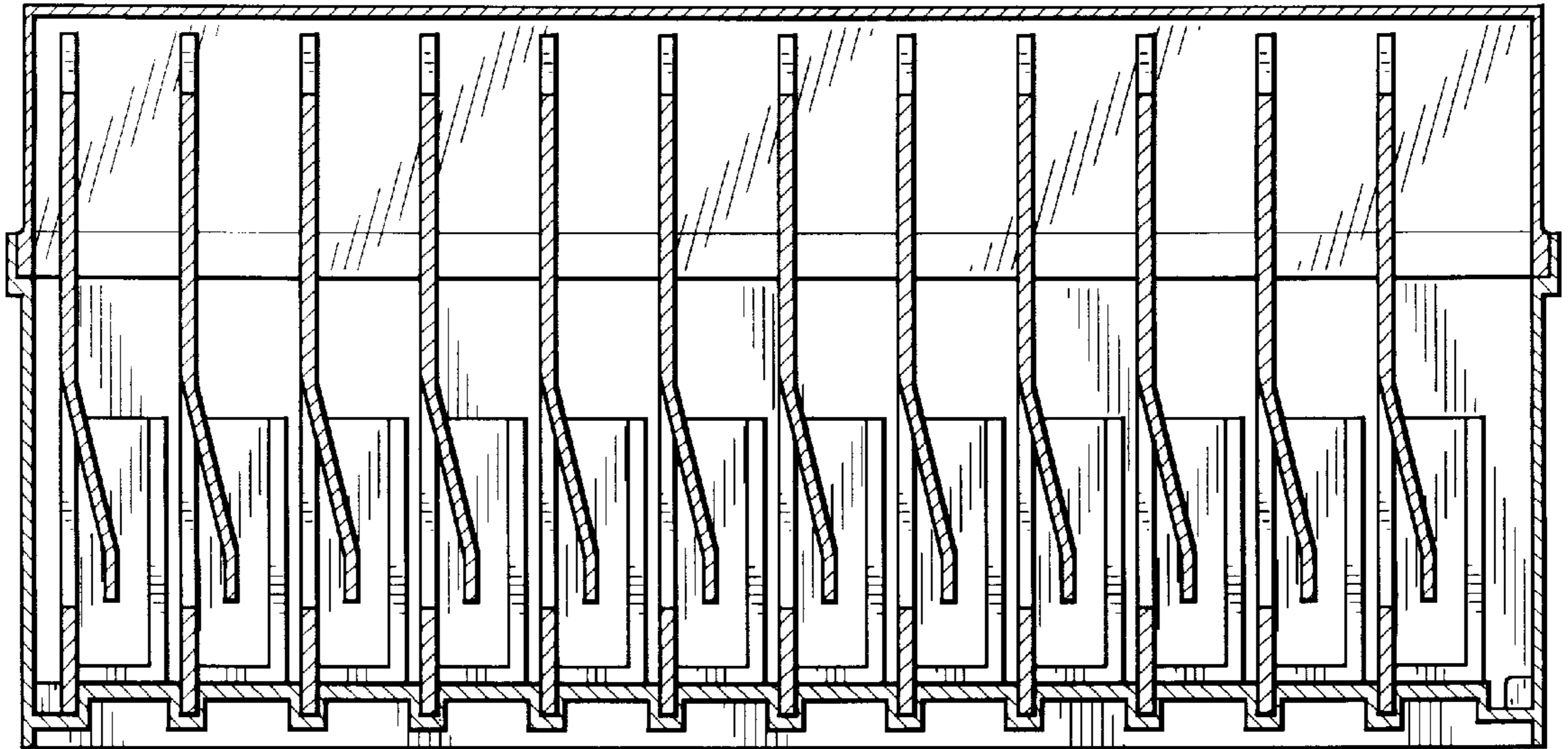


FIG. 6

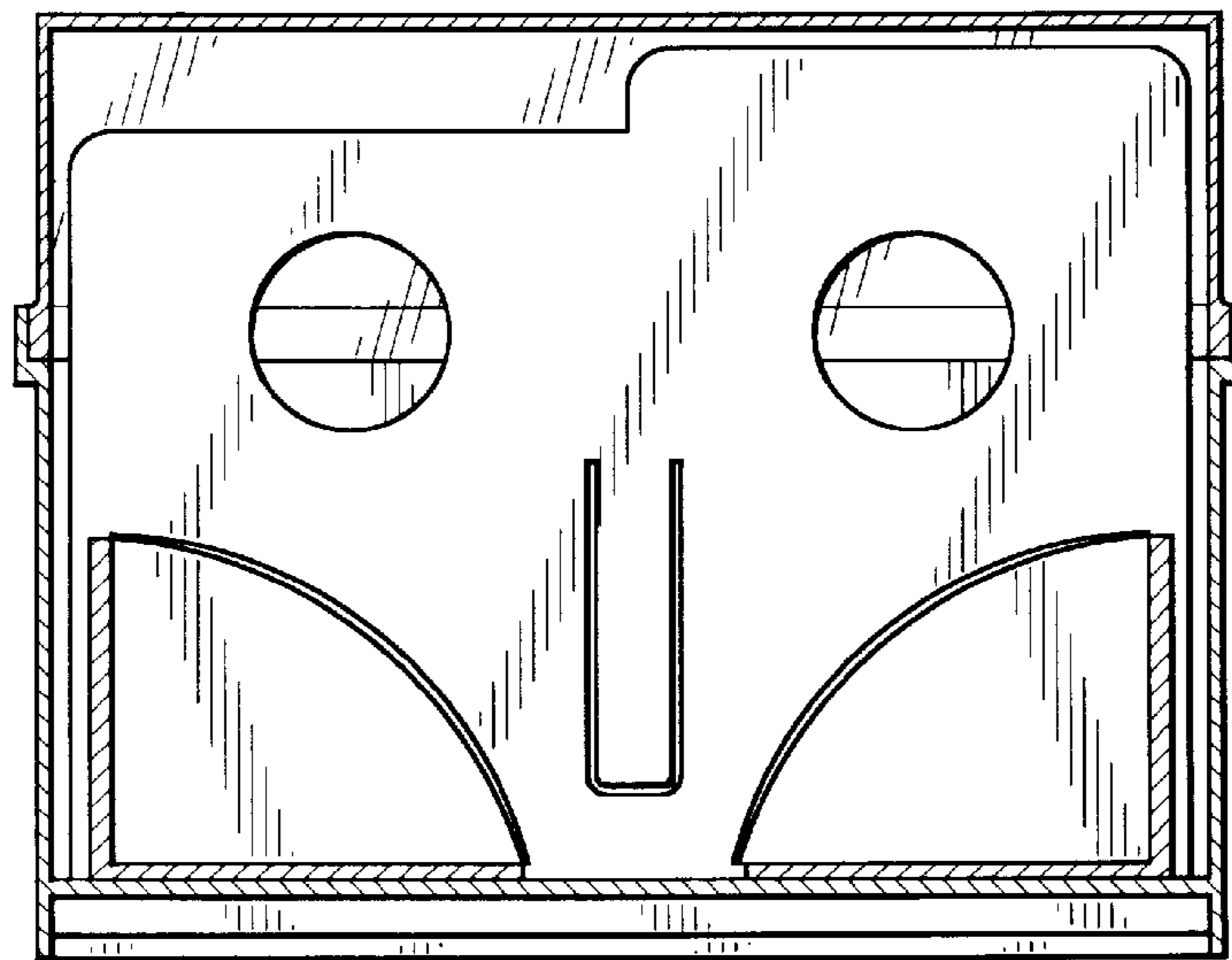


FIG. 7

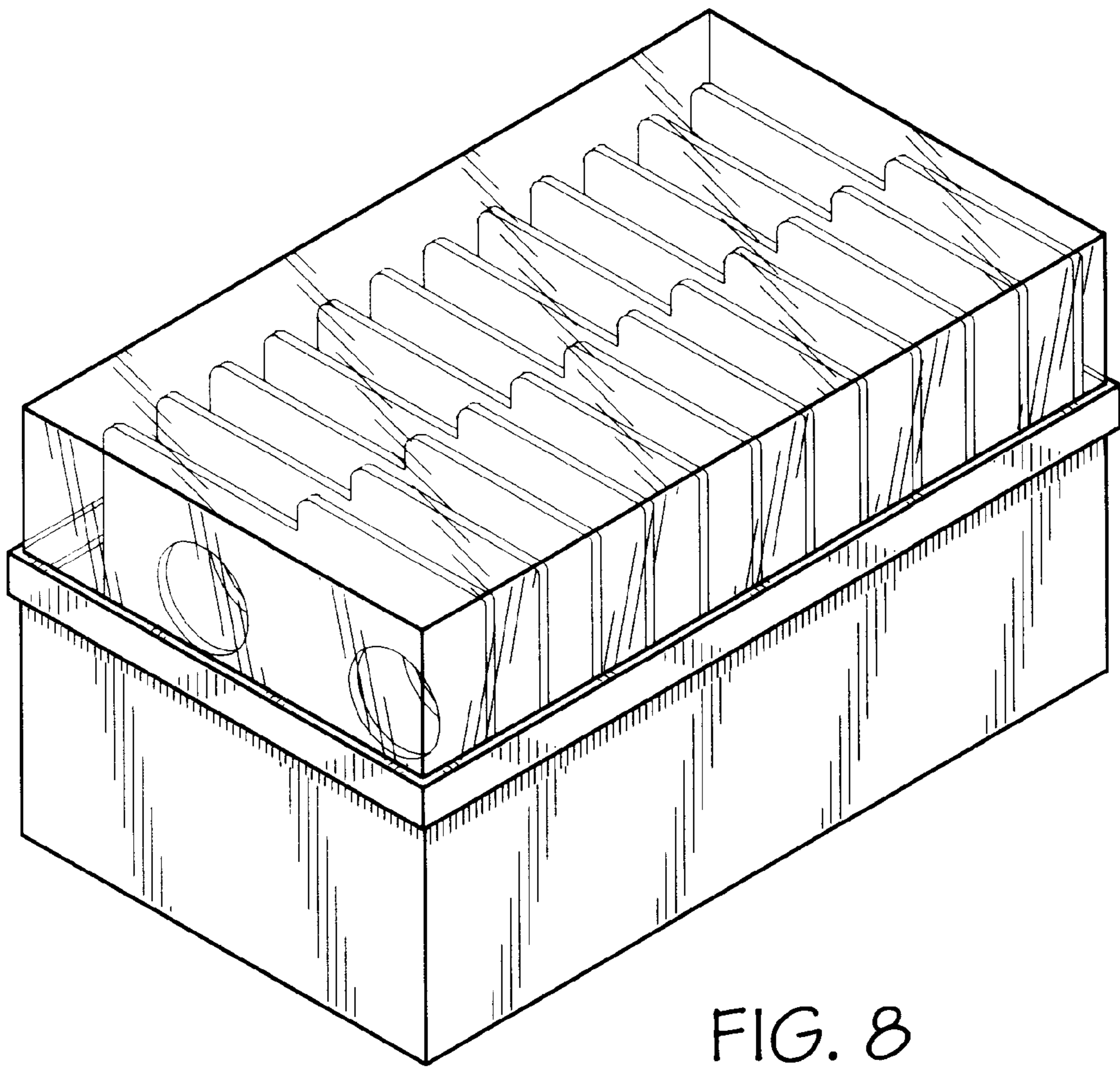


FIG. 8