



US00D423583S

United States Patent [19] Schimmel

[11] Patent Number: **Des. 423,583**

[45] Date of Patent: **** Apr. 25, 2000**

[54] **BUBBLE BLOWING PEN CAP**

[76] Inventor: **Aaron Schimmel**, 6289 W. Howard St.,
Niles, Ill. 60714-3403

[**] Term: **14 Years**

[21] Appl. No.: **29/111,478**

[22] Filed: **Sep. 28, 1999**

[51] **LOC (6) Cl.** **19-06**

[52] **U.S. Cl.** **D19/57; D19/46; D21/402**

[58] **Field of Search** **D21/402; D11/131,**
D11/157; D19/35, 36, 41-51, 53-58, 81-85;
401/52, 195, 202, 262, 243-247; 446/15,
20, 21

[56] **References Cited**

U.S. PATENT DOCUMENTS

D. 235,030	4/1975	Ziff	D21/402
D. 335,140	4/1993	Walker	D19/46
D. 336,659	6/1993	Lin	D19/36
D. 354,689	1/1995	Figard	D19/36
D. 357,500	4/1995	Mutterperl	D19/36
2,398,513	4/1946	Bradley	446/15

2,591,874	4/1952	Richie	401/195 X
2,720,723	10/1955	Peretti	446/21
3,064,387	11/1962	Campbell	446/15
5,653,620	8/1997	Lin	446/15

Primary Examiner—Martie K. Holtje
Attorney, Agent, or Firm—Leydig, Voit & Mayer, Ltd.

[57] **CLAIM**

The ornamental design for a bubble blowing pen cap, as shown and described.

DESCRIPTION

FIG. 1 is a front elevational view of a bubble blowing pen cap showing my new design, the portions depicted by means of broken lines being shown for illustrative purposes only and forming no part of the claimed design; FIG. 2 is a rear elevational view of FIG. 1; FIG. 3 is an alternate front elevational view of FIG. 1; FIG. 4 is a left side view of the bubble blowing pen cap; FIG. 5 is a right side view of FIG. 4; FIG. 6 is a top view of FIG. 4; and, FIG. 7 is a bottom view of FIG. 4.

1 Claim, 3 Drawing Sheets

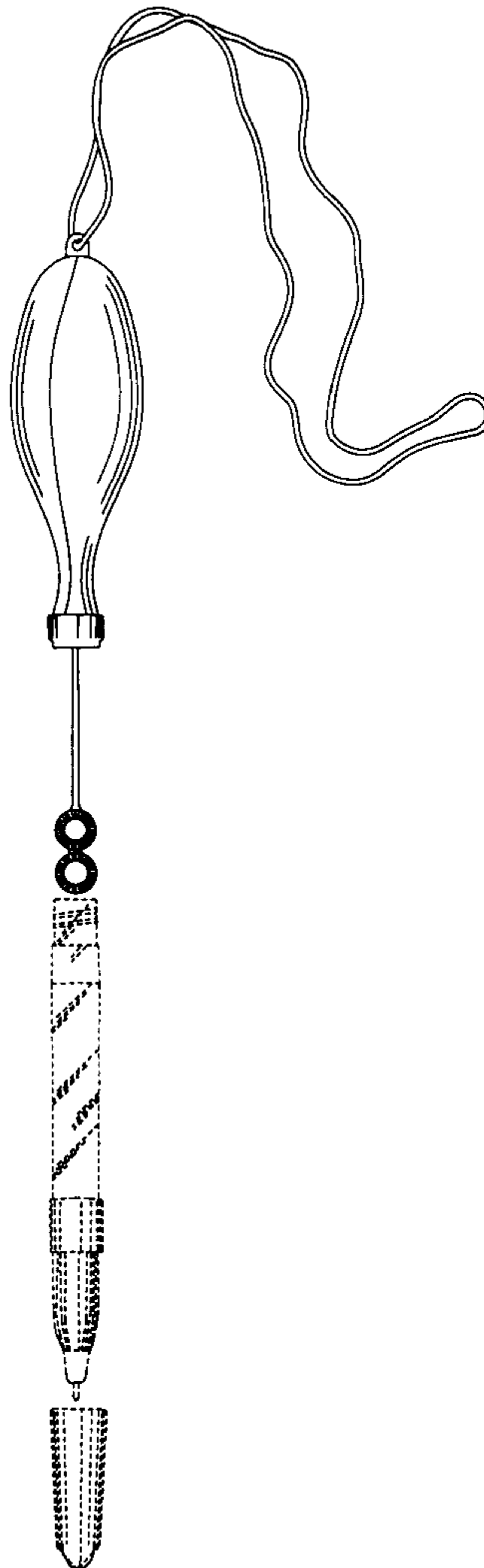


Fig. 1

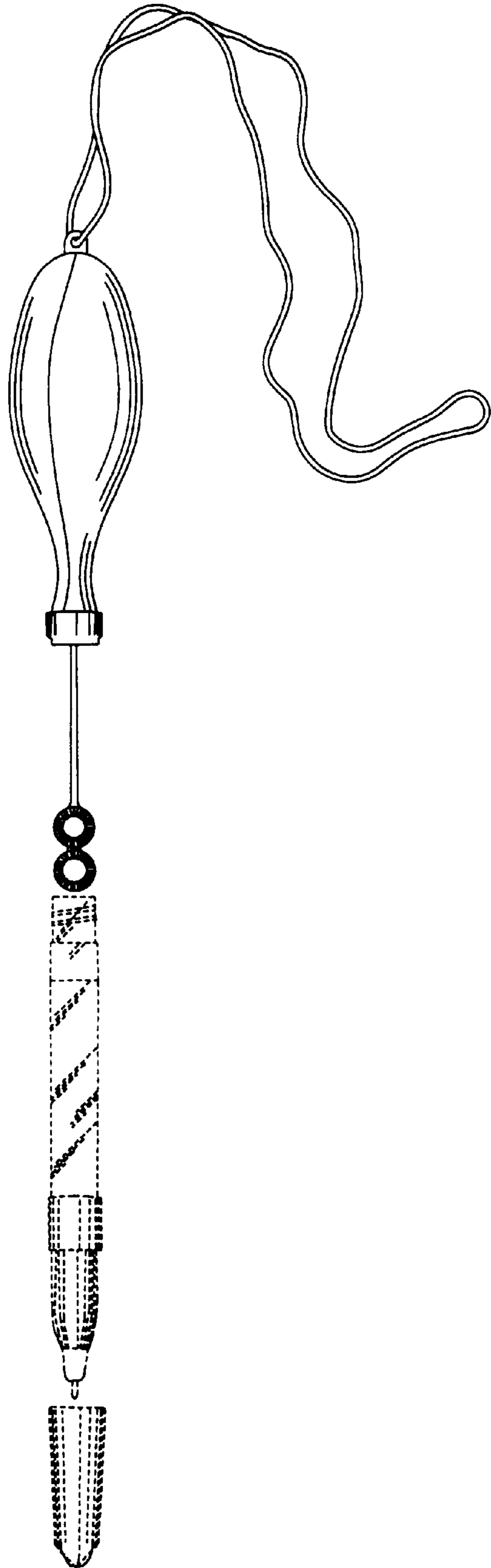


Fig. 2

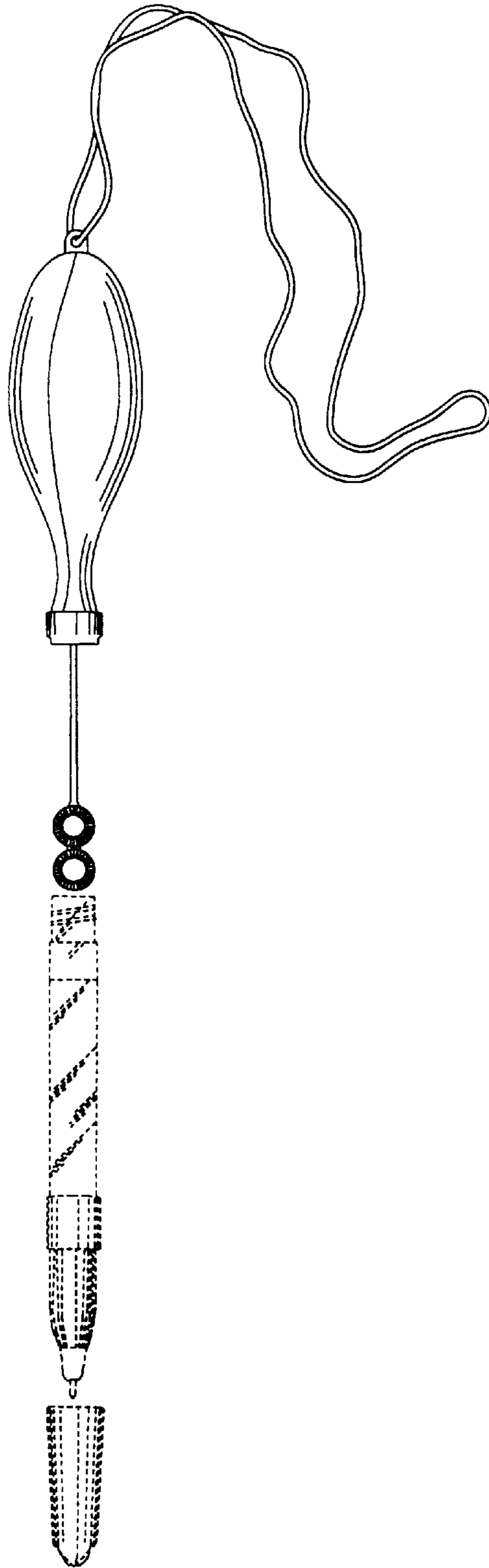


Fig. 3

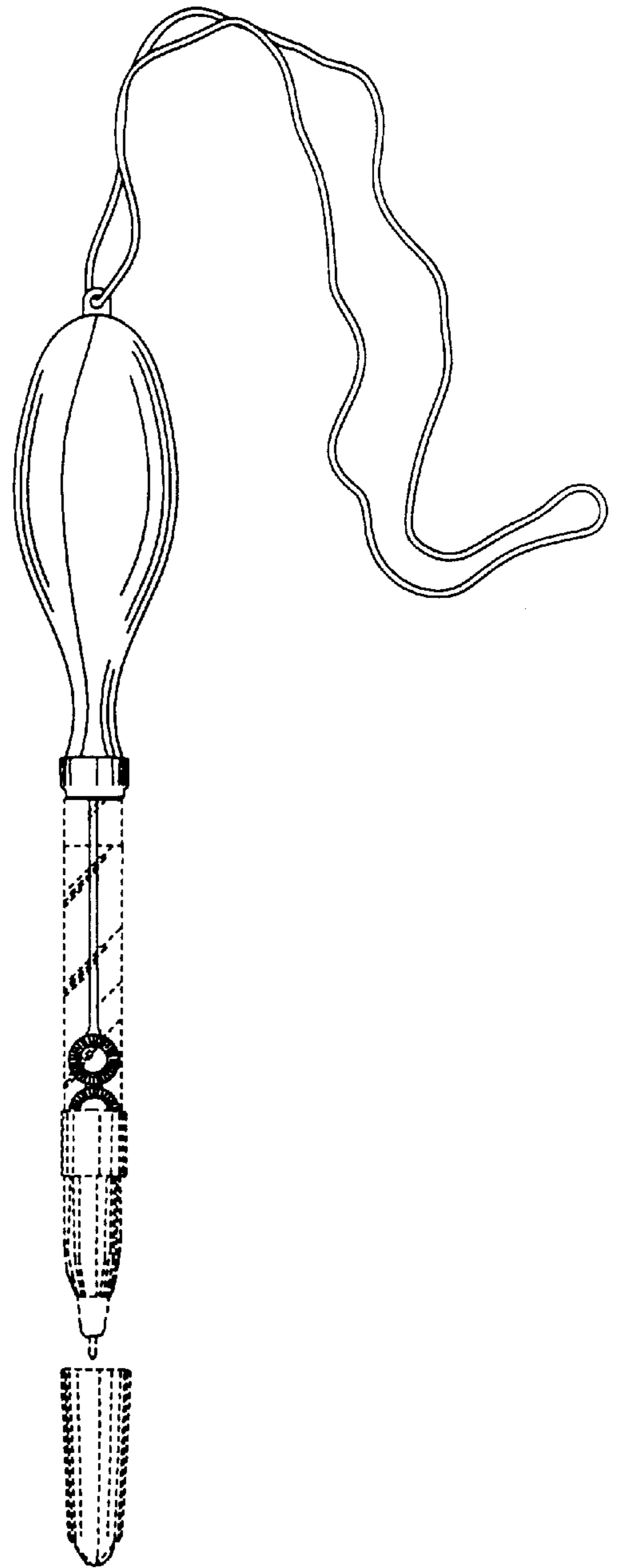


Fig. 4

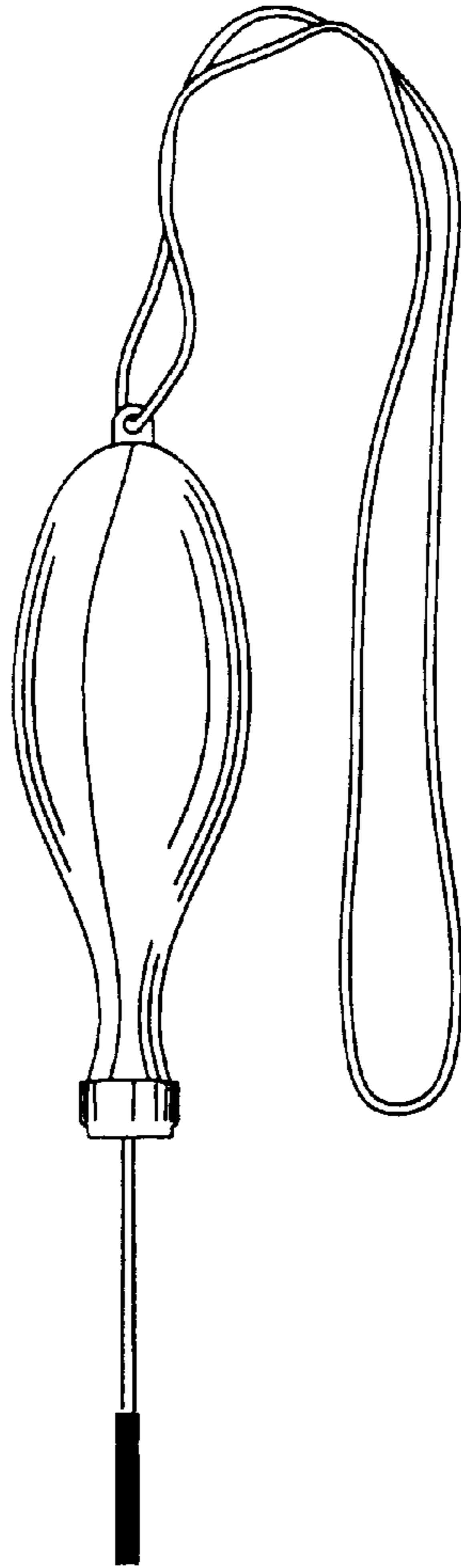


Fig. 5

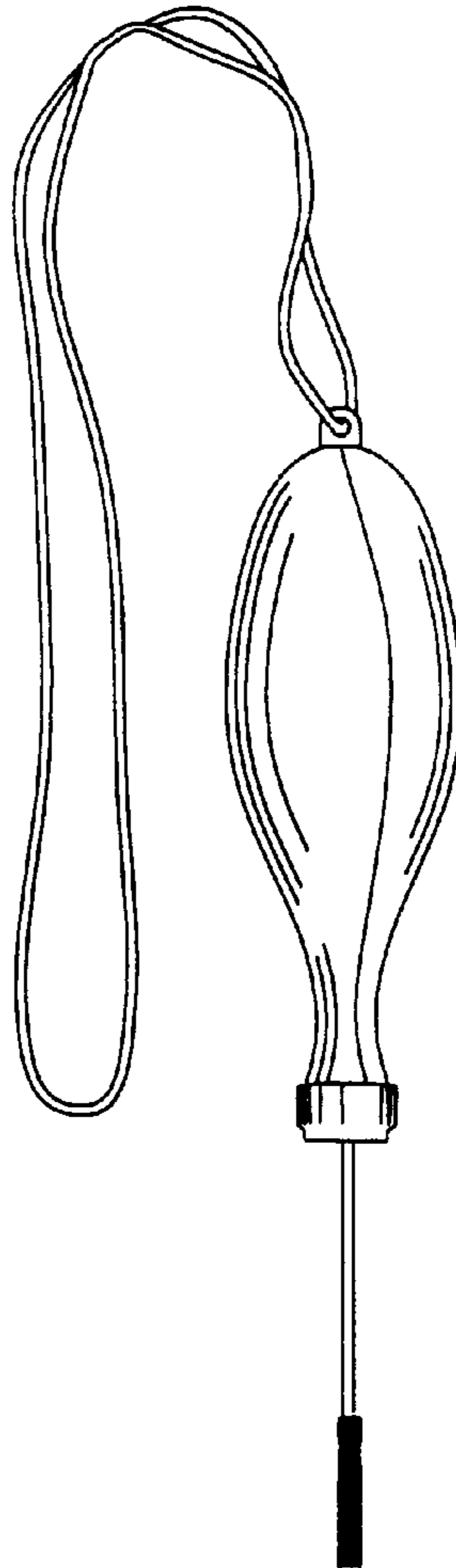


Fig. 6

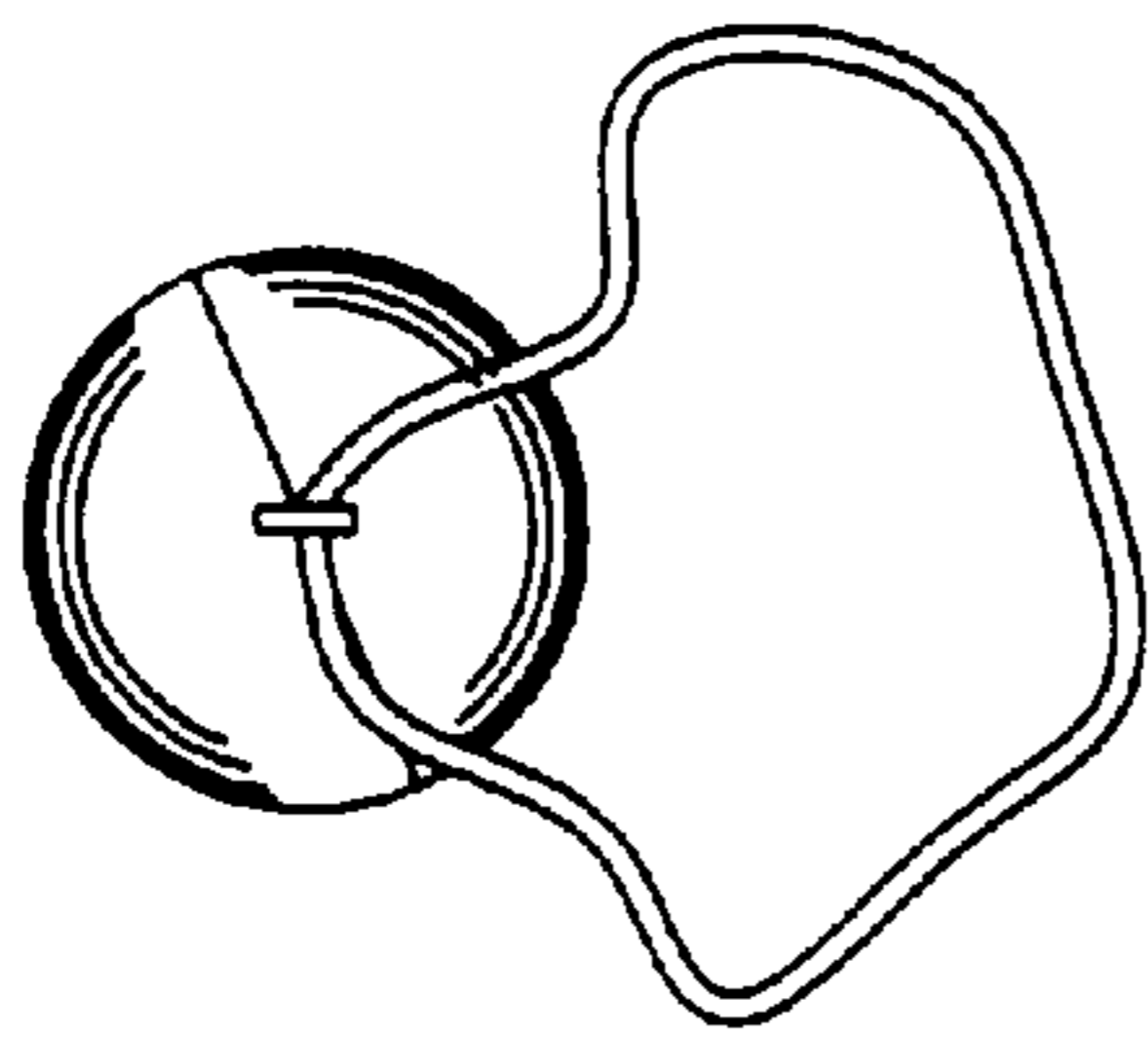


Fig. 7

