



US00D423579S

United States Patent [19]

Andrews et al.

[11] **Patent Number: Des. 423,579**

[45] **Date of Patent: ** Apr. 25, 2000**

[54] **WRITING INSTRUMENT**

[75] Inventors: **Neville Andrews**, Acton, Mass.; **Philip Stankus**, Coldwaltham, United Kingdom

[73] Assignee: **Parker Pen Products**, Isleworth, United Kingdom

[**] Term: **14 Years**

[21] Appl. No.: **29/108,576**

[22] Filed: **Jul. 29, 1999**

Related U.S. Application Data

[62] Division of application No. 29/093,935, Sep. 22, 1998, Pat. No. Des. 416,577.

[51] **LOC (6) Cl.** **19-06**

[52] **U.S. Cl.** **D19/51; D19/56**

[58] **Field of Search** D19/35, 36, 41-51, D19/53-58, 81-85; 401/99, 100, 104, 105, 209; 24/11 F

[56] **References Cited**

U.S. PATENT DOCUMENTS

D. 338,491	8/1993	Hollington	D19/50
D. 362,020	9/1995	Waldinger	D19/48
D. 363,084	10/1995	Hollington	D19/51
D. 378,763	4/1997	Hollington	D19/51
D. 387,804	12/1997	Izushima	D19/51
D. 416,577	11/1999	Andrews et al.	D19/50

OTHER PUBLICATIONS

Miller Office Products, c1994, p. 793, see circled pen, lower left center—Desk copy.

Primary Examiner—Martie K. Holtje
Attorney, Agent, or Firm—David A. Howley

[57] **CLAIM**

The ornamental design for a writing instrument, as shown and described.

DESCRIPTION

FIG. 1 is a perspective view as seen from the top, front and right side of a first embodiment of a writing instrument showing our new design;

FIG. 2 is a top plan view thereof;

FIG. 3 is a left side elevational view thereof, the right side elevation being a mirror image thereof;

FIG. 4 is a bottom plan view thereof;

FIG. 5 is a front elevational view thereof;

FIG. 6 is a rear elevational view thereof;

FIG. 7 is a perspective view as seen from the top, front and right side of a second embodiment of a writing instrument showing our new design;

FIG. 8 is a top plan view thereof;

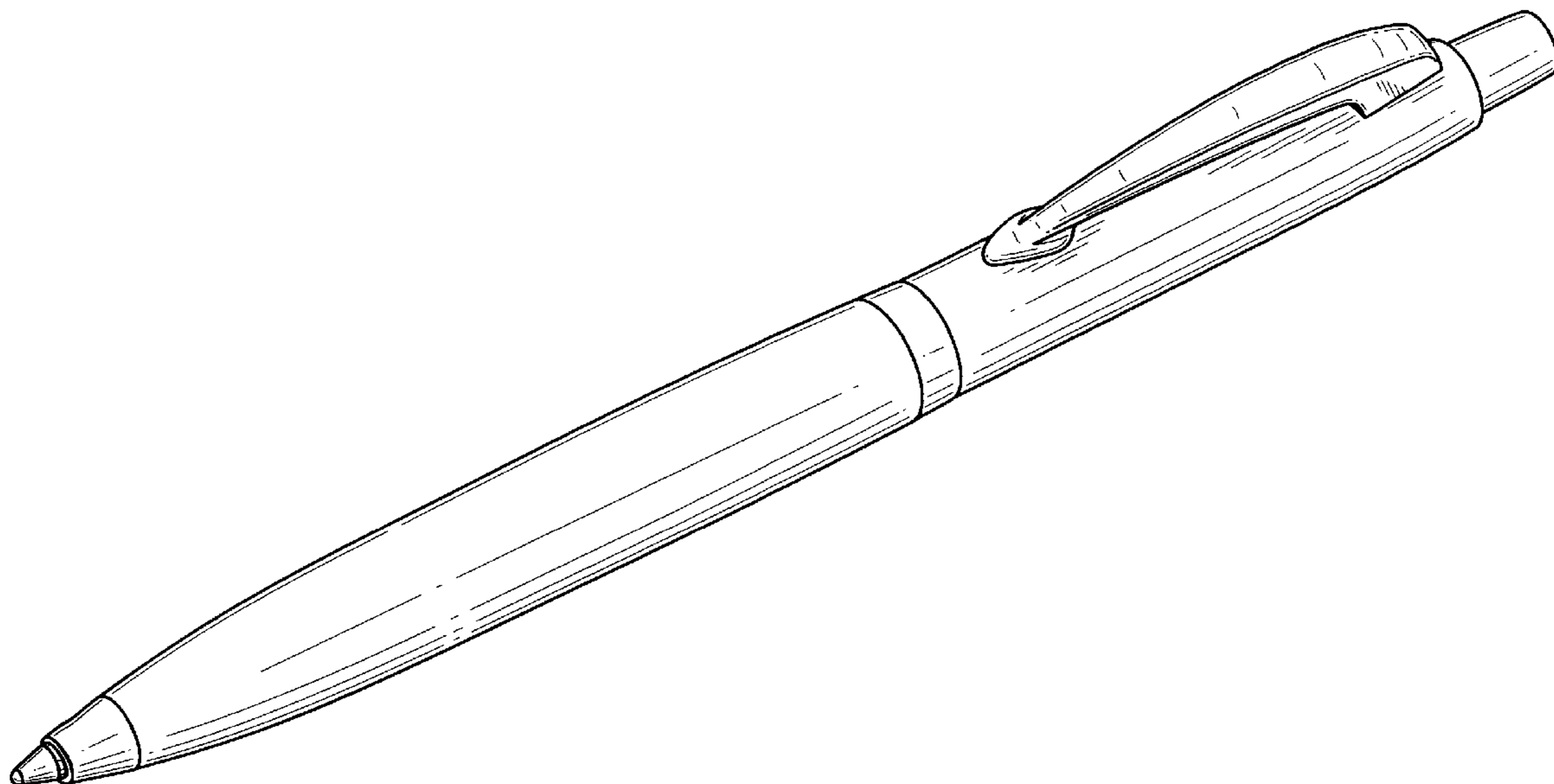
FIG. 9 is a left side elevational view thereof, the right side elevation being a mirror image thereof;

FIG. 10 is a bottom plan view thereof;

FIG. 11 is a front elevational view thereof; and,

FIG. 12 is a rear elevational view thereof.

1 Claim, 6 Drawing Sheets



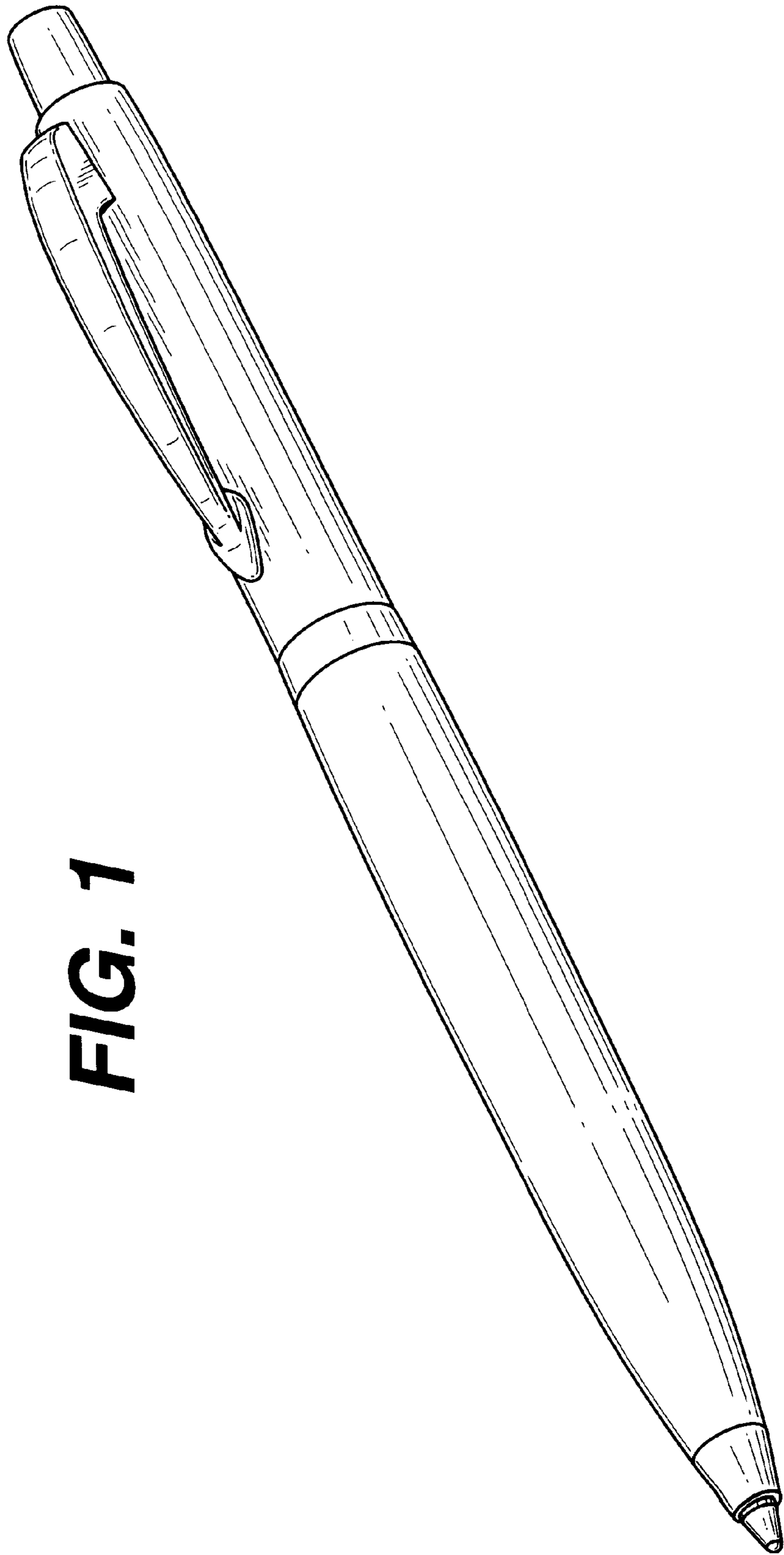


FIG. 1

FIG. 2

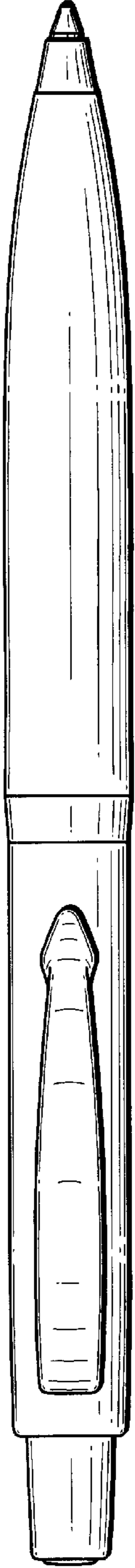


FIG. 3

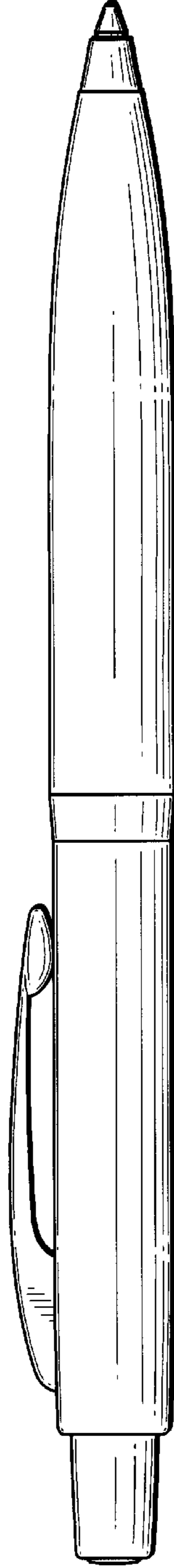


FIG. 4

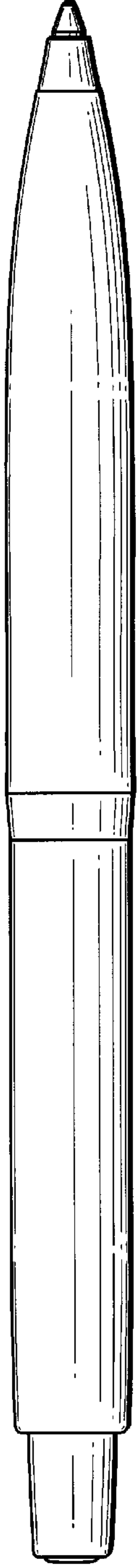


FIG. 5

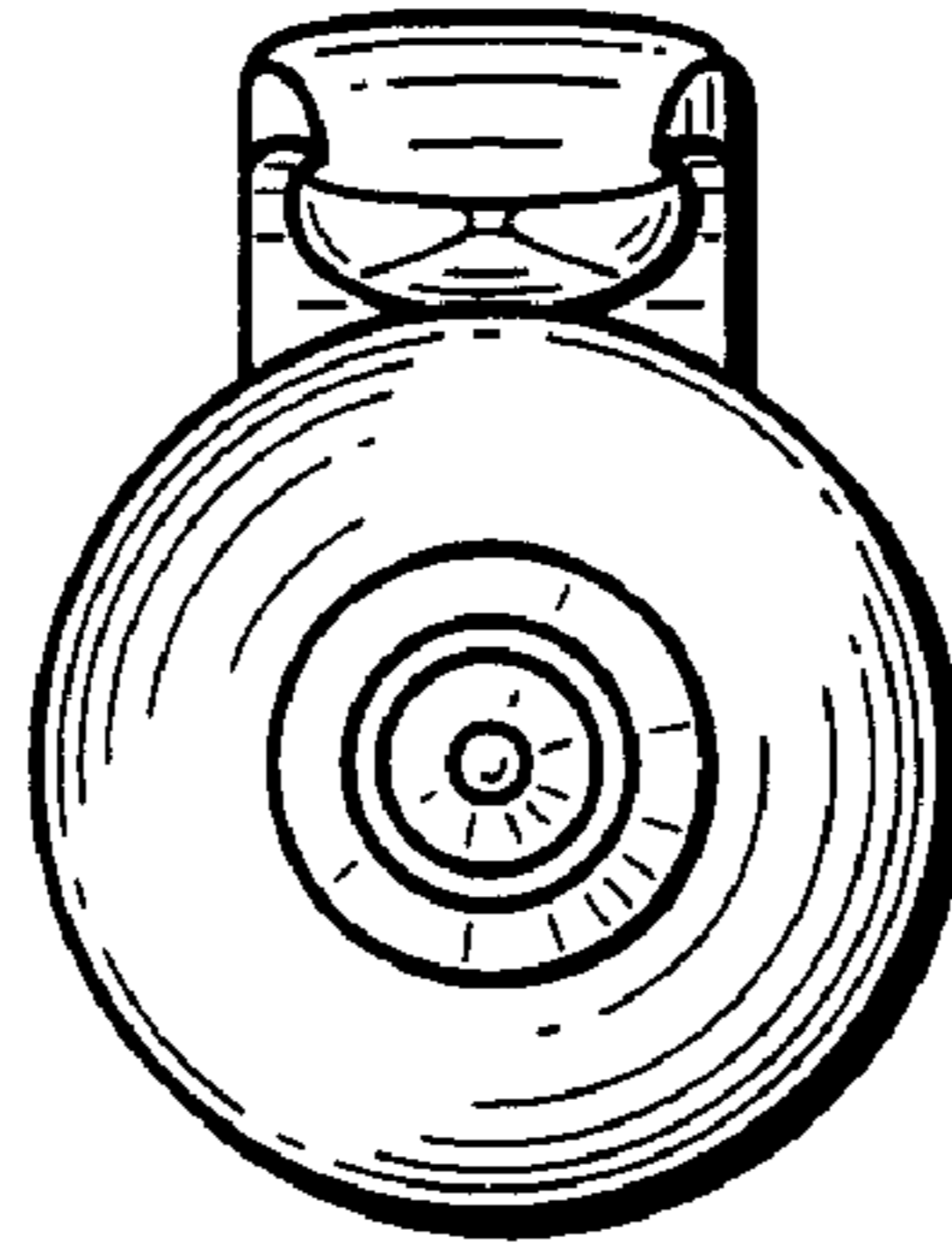
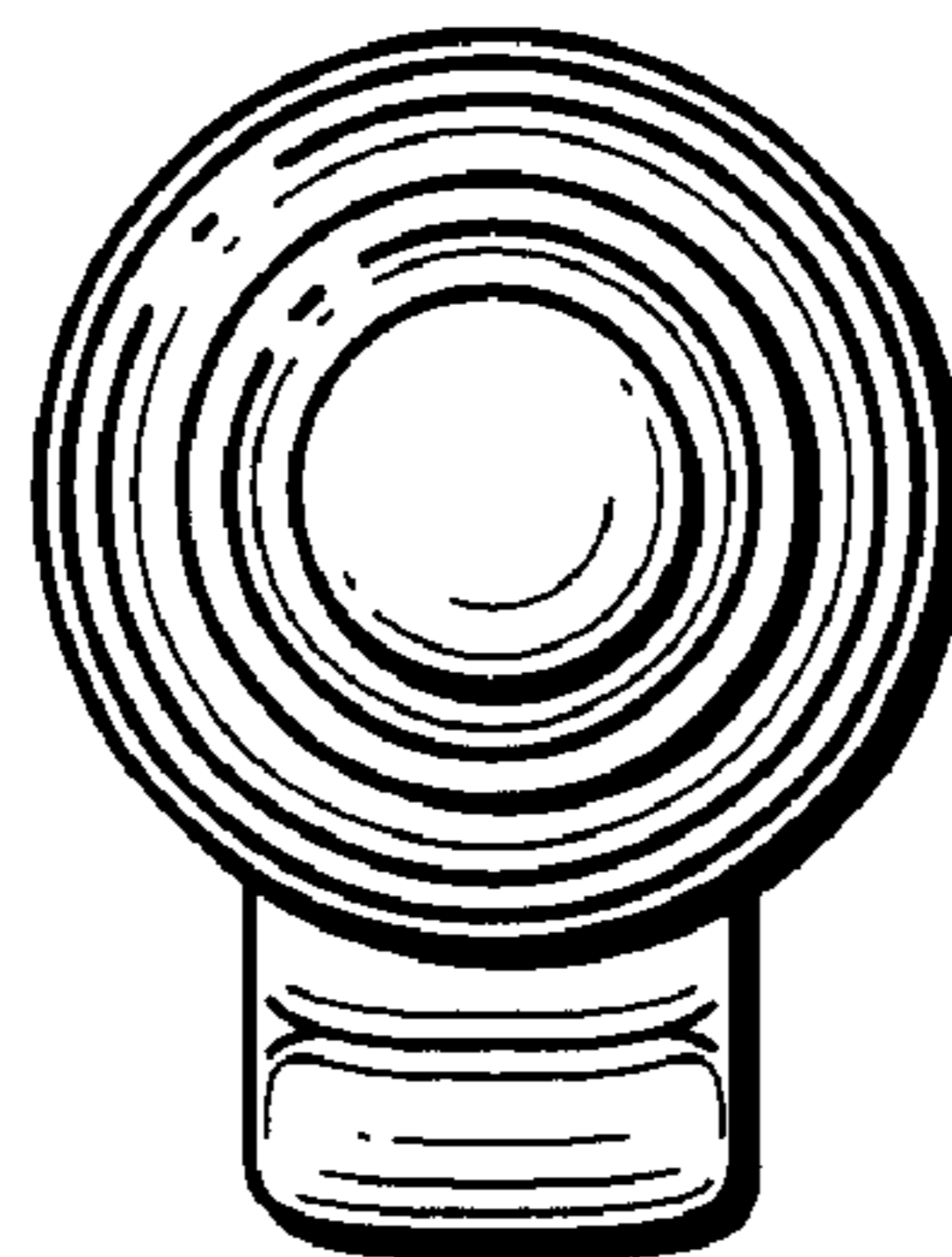


FIG. 6



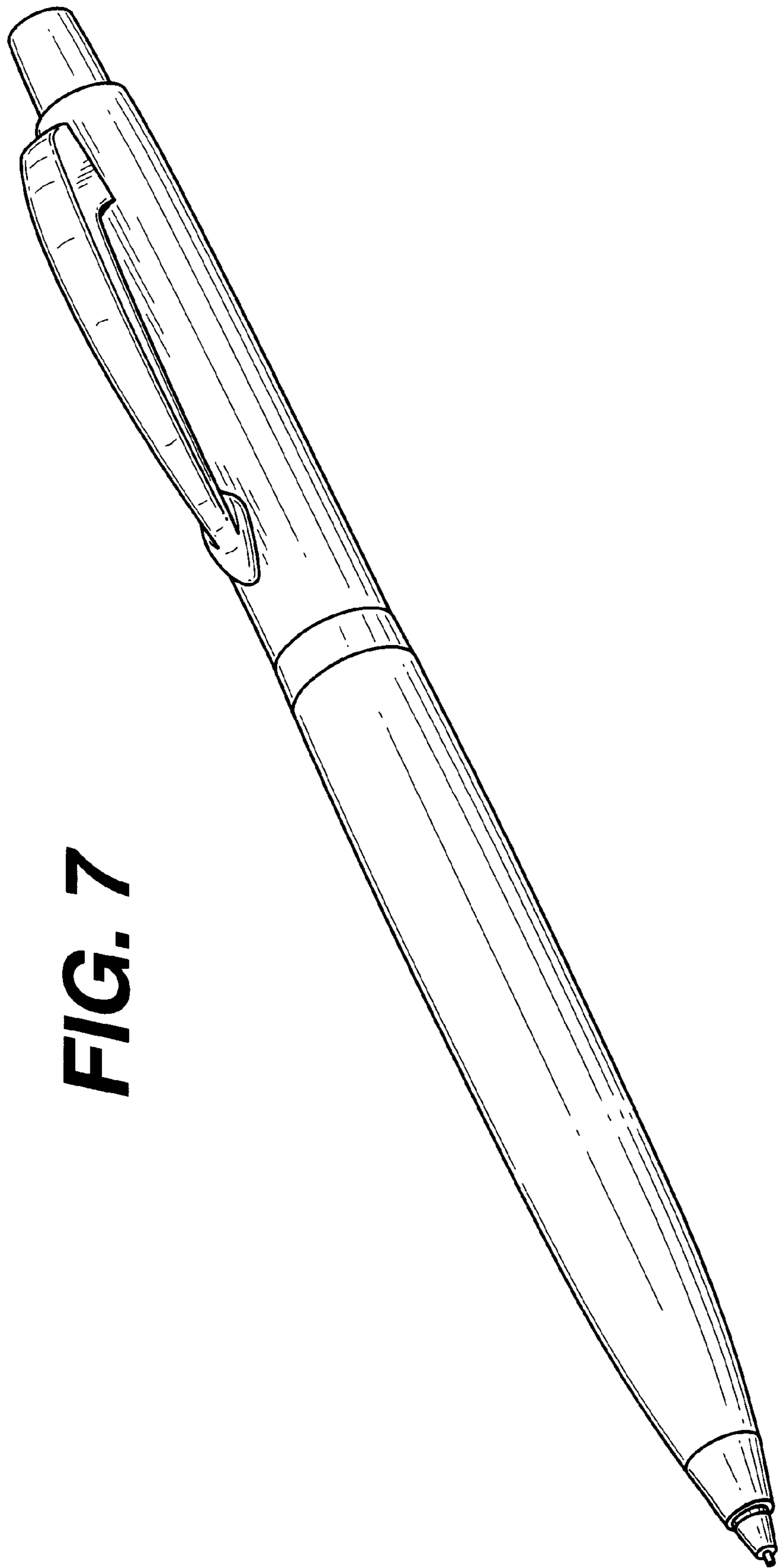


FIG. 7

FIG. 8

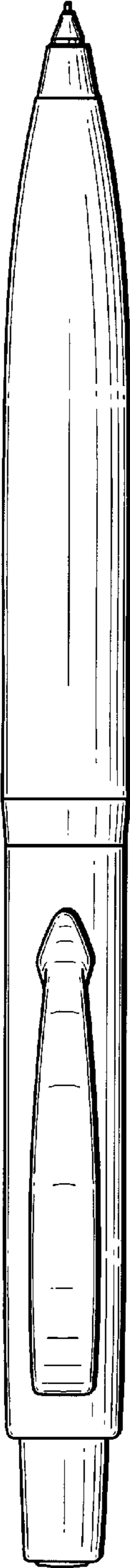


FIG. 9

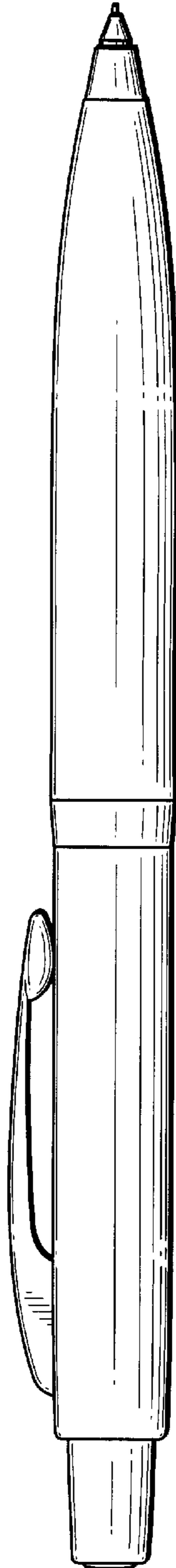


FIG. 10

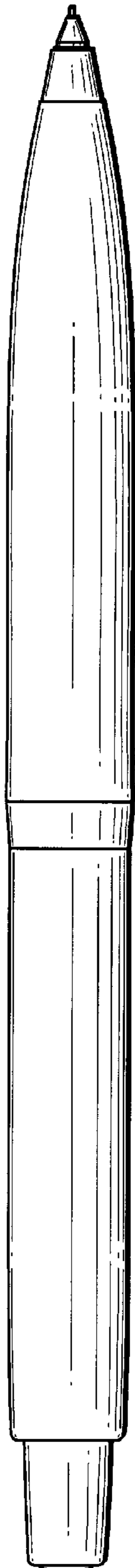


FIG. 11

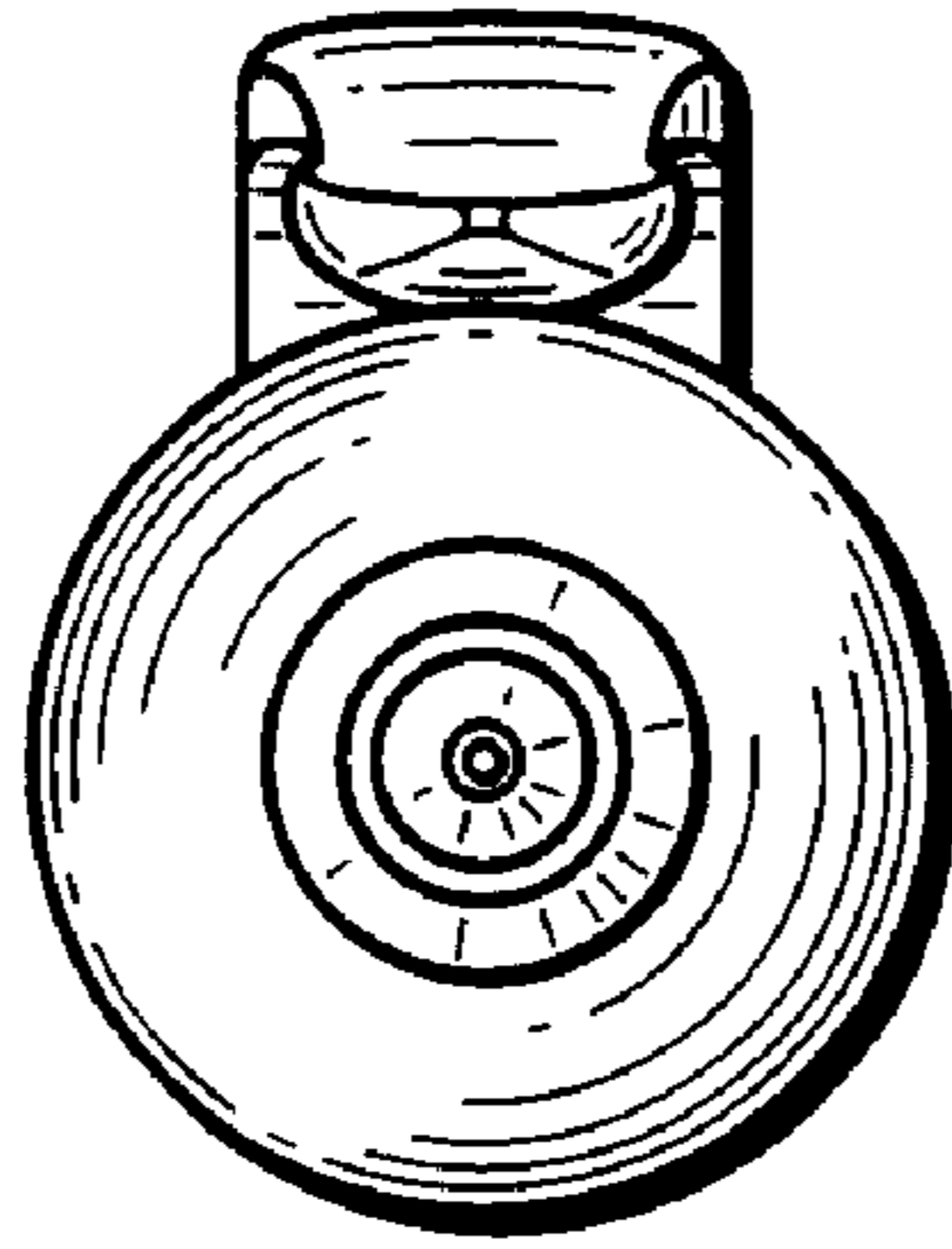


FIG. 12

