



US00D423575S

United States Patent [19]

Lowe

[11] Patent Number: **Des. 423,575**

[45] Date of Patent: **** Apr. 25, 2000**

[54] **PEN AND FAN COMBINATION**

[76] Inventor: **Ryan Lowe**, 1741 Spring La., Corona, Calif. 91720

[**] Term: **14 Years**

[21] Appl. No.: **29/112,188**

[22] Filed: **Oct. 12, 1999**

[51] **LOC (6) Cl.** **19-06**

[52] **U.S. Cl.** **D19/36; D19/46; D19/51; D19/42; D3/2**

[58] **Field of Search** **D19/35, 36, 41-51, D19/53-58, 81-85; 401/52, 195, 209; D3/2**

[56] **References Cited**

U.S. PATENT DOCUMENTS

148,408	3/1874	Brueck .	
D. 334,951	4/1993	Mills	D20/10
D. 354,979	1/1995	Tsuji	D19/36
D. 354,984	1/1995	Tsuji	D19/36
D. 386,788	11/1997	Shui-Shang	D19/42
D. 388,824	1/1998	Harper	D19/42
D. 416,578	11/1999	Paras et al.	D19/51

956,959 5/1910 Greenfield .
5,083,881 1/1992 Yoshinaga 401/195

Primary Examiner—Martie K. Holtje
Attorney, Agent, or Firm—Goldstein & Canino

[57] **CLAIM**

The ornamental design for a pen and fan combination, as shown and described.

DESCRIPTION

FIG. 1 is a perspective view of a pen and fan combination, the fan portion in the closed position;
FIG. 2 is a perspective view of the pen and fan combination, the fan portion in the open position;
FIG. 3 is a front elevational view of the pen and fan combination;
FIG. 4 is a rear elevational view thereof;
FIG. 5 is a left side elevational view thereof;
FIG. 6 is a right side elevational view thereof;
FIG. 7 is a top plan view of the pen and fan combination; and,
FIG. 8 is a bottom plan view thereof.

1 Claim, 3 Drawing Sheets

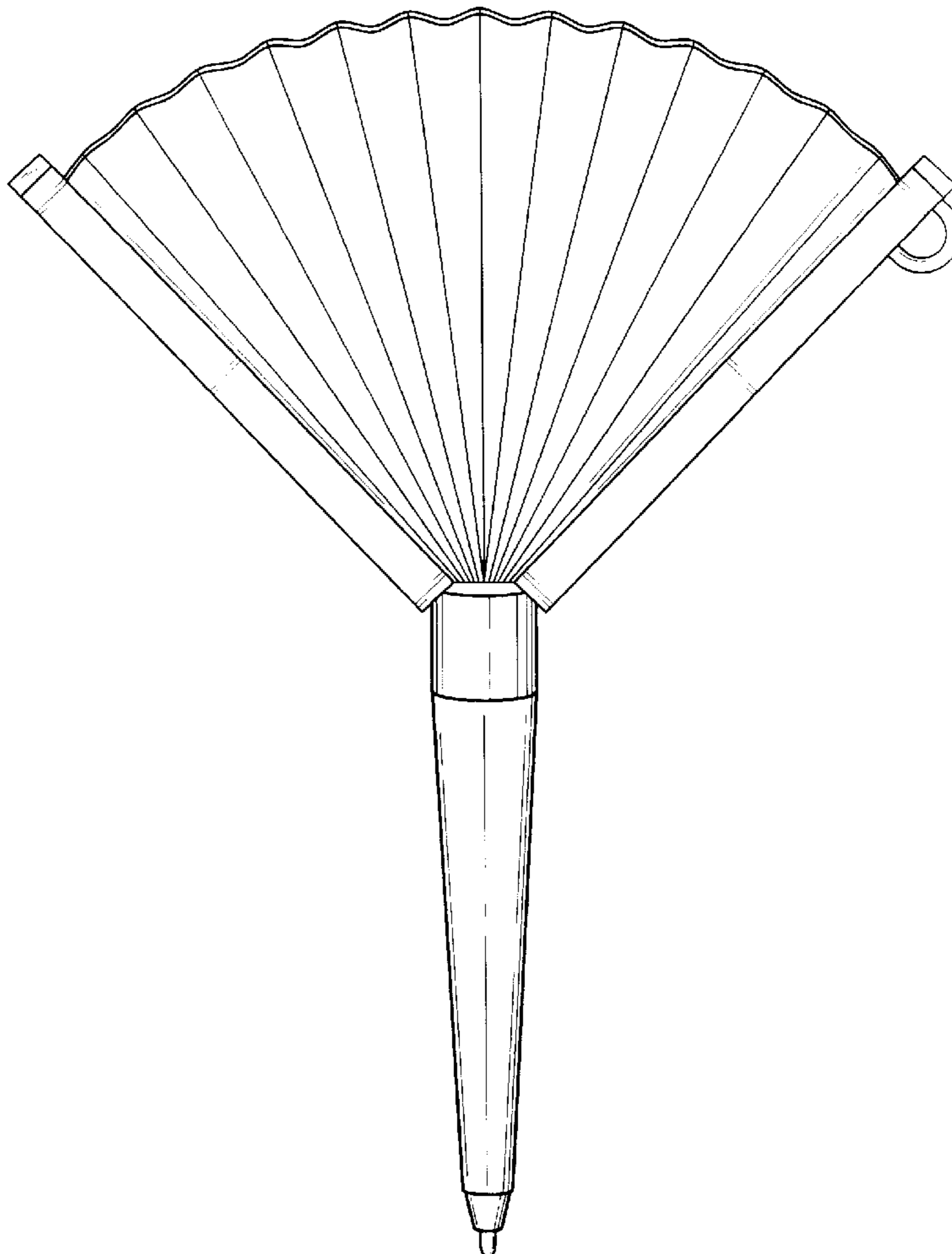
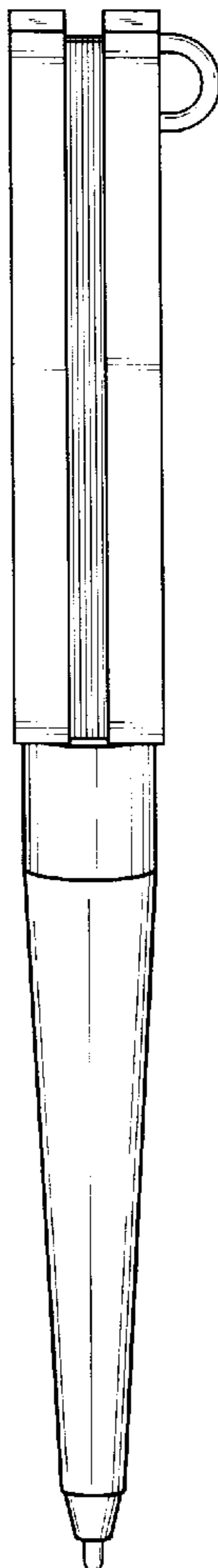


FIG. 1

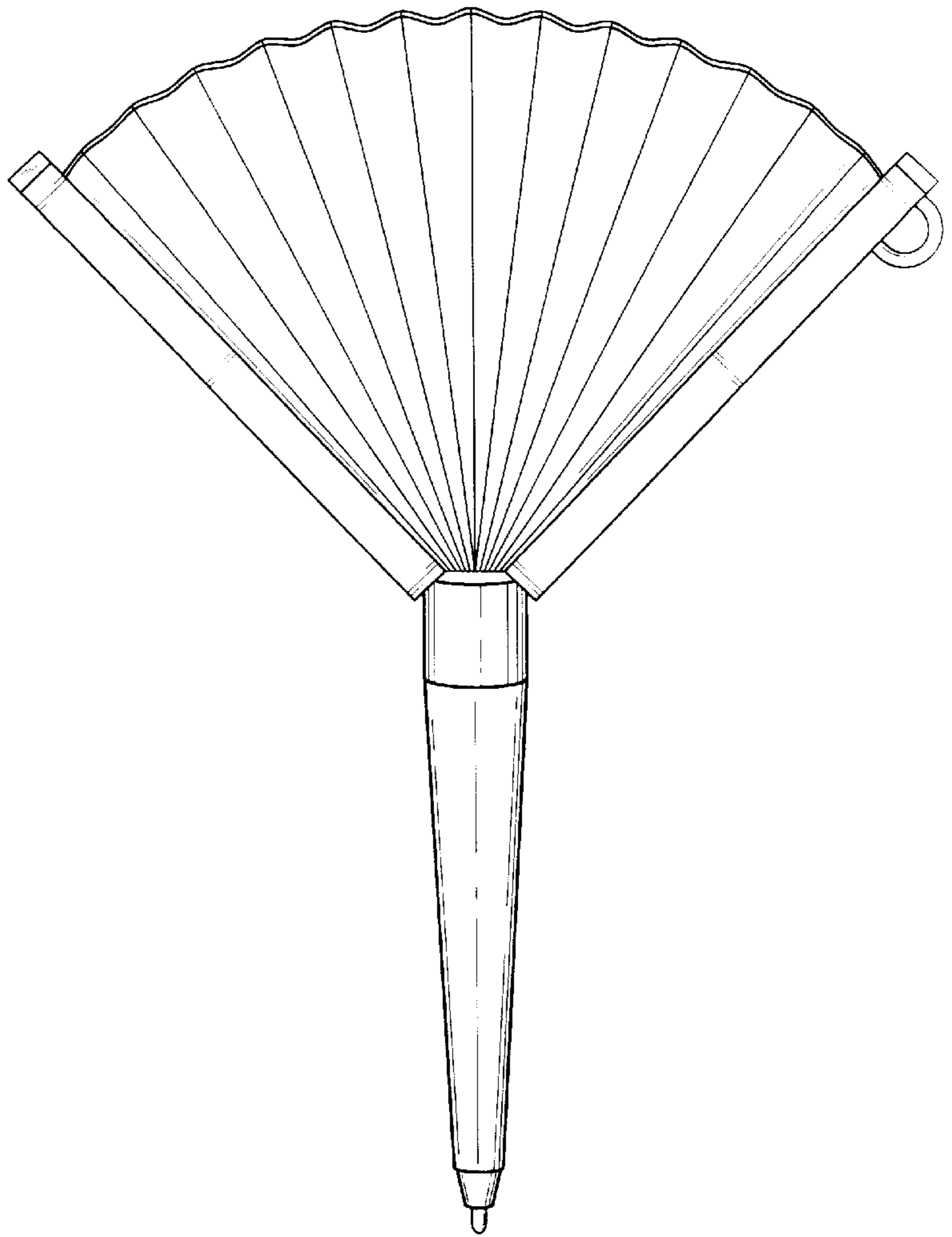
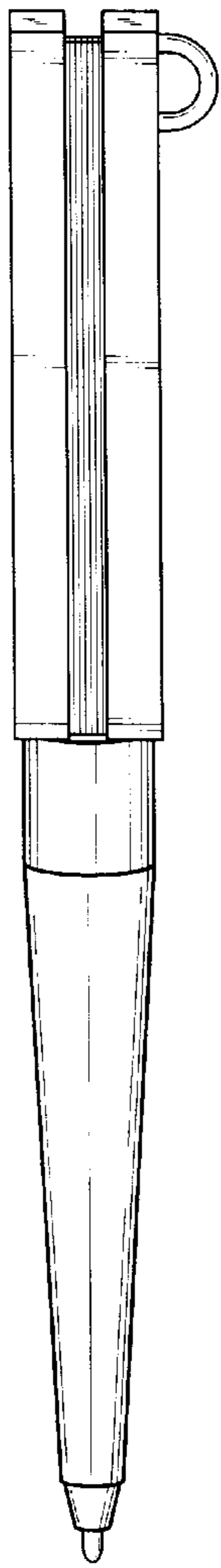


FIG. 2

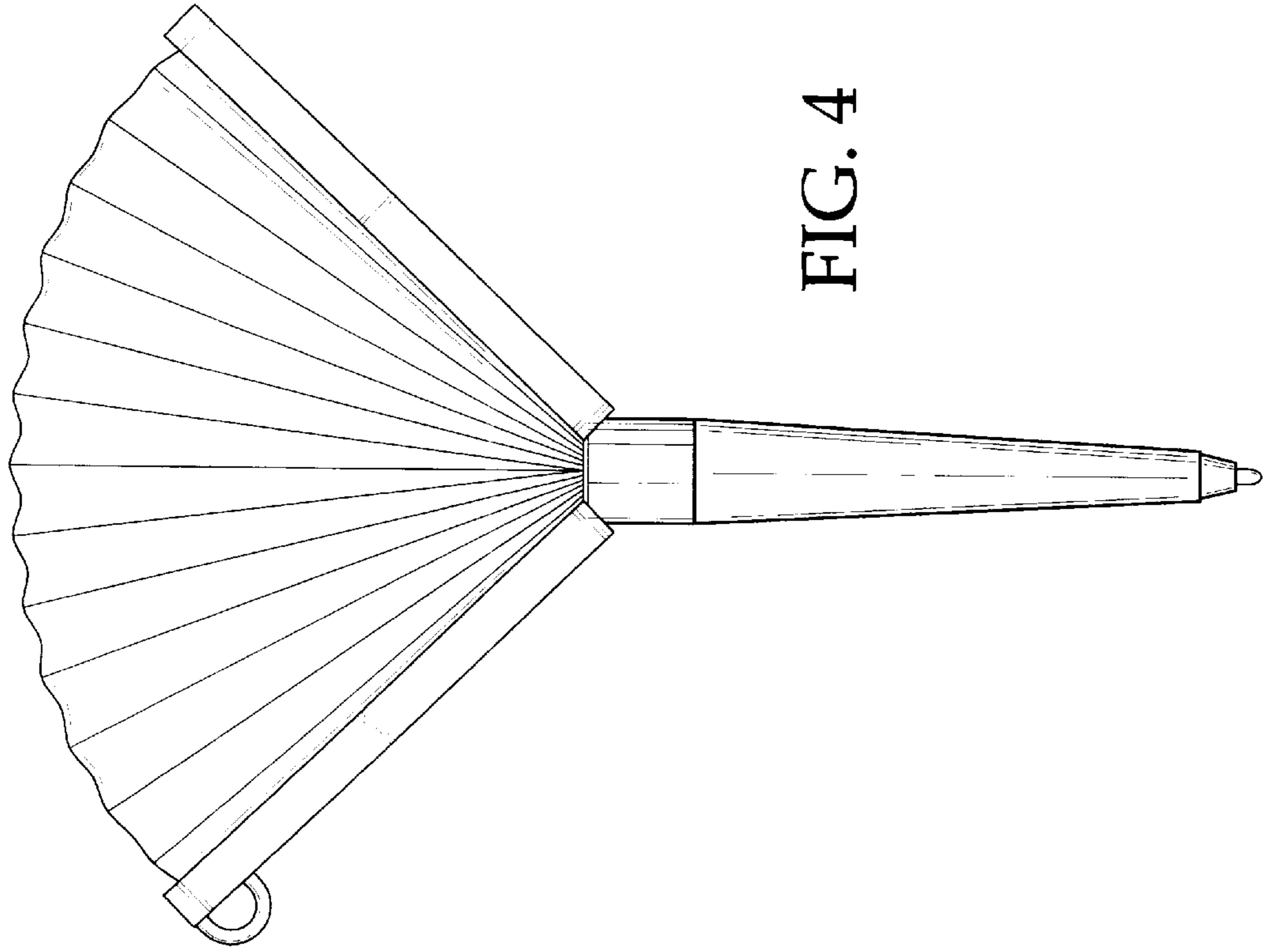


FIG. 4

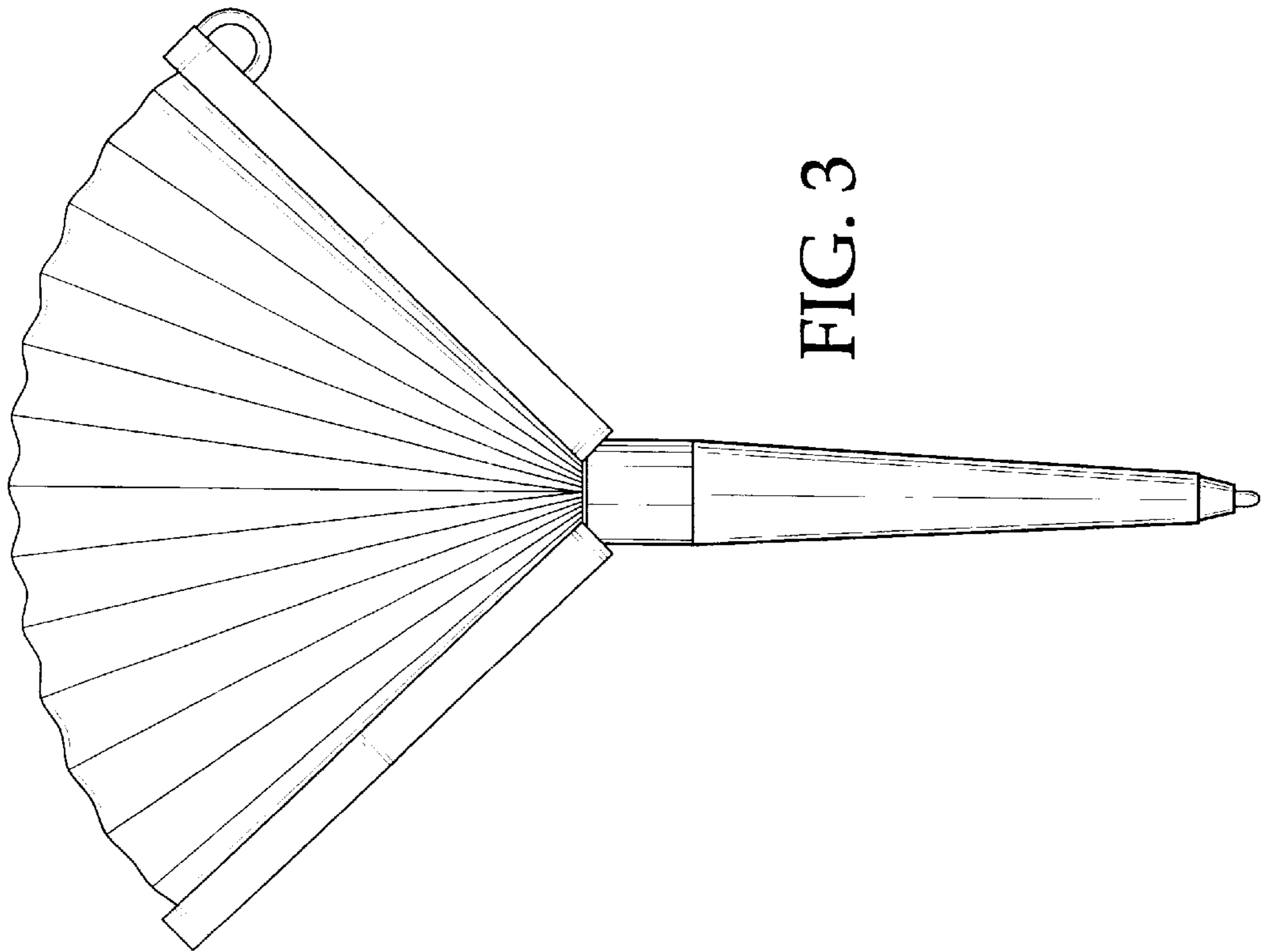


FIG. 3

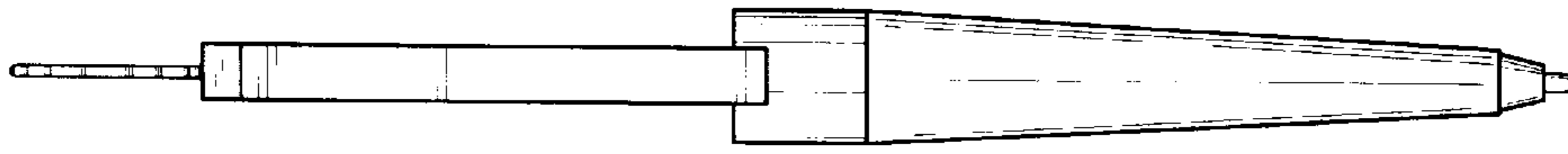


FIG. 5

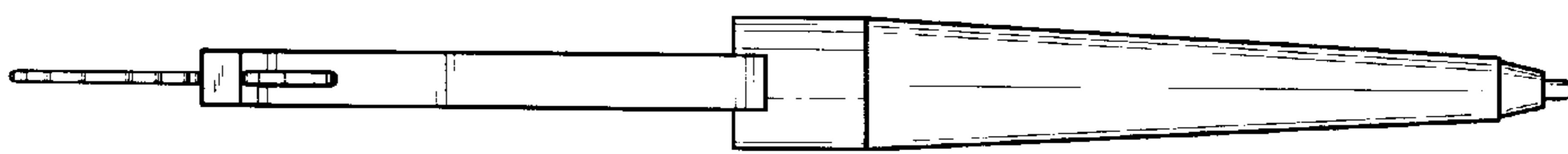


FIG. 6

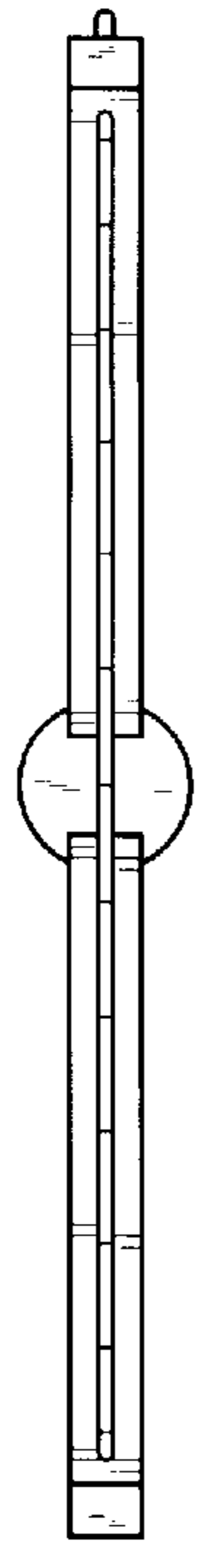


FIG. 7

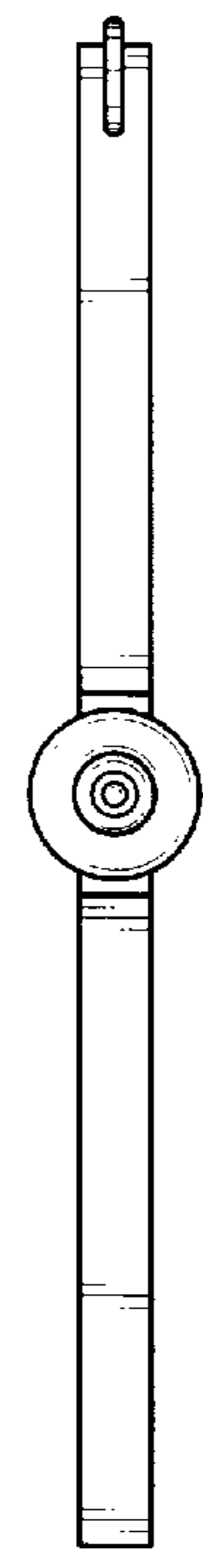


FIG. 8