



US00D423572S

United States Patent [19]

[11] Patent Number: **Des. 423,572**

Tedaldi et al.

[45] Date of Patent: **** Apr. 25, 2000**

[54] **PORTFOLIO**

[75] Inventors: **Denise Tedaldi**, Jupiter; **Deborah Base**, Boynton Beach; **Rebecca Robin**, Fort Lauderdale; **Vanessa Essery**; **Lori Hatch**, both of Lake Worth, all of Fla.

D. 304,343	10/1989	Popat et al.	D19/26
D. 314,976	2/1991	Loredo	D19/26
D. 316,108	4/1991	Gerriet	D19/26
D. 359,507	6/1995	Schmidt	D19/26
4,314,635	2/1982	Fraser et al.	206/425 X
5,006,699	4/1991	Felkner et al.	235/472

[73] Assignee: **Levenger Company**, Delray Beach, Fla.

Primary Examiner—Martie K. Holtje
Attorney, Agent, or Firm—Qualres & Brady LLP

[**] Term: **14 Years**

[57] **CLAIM**

[21] Appl. No.: **29/107,840**

The ornamental design for a portfolio, as shown and described.

[22] Filed: **Jul. 14, 1999**

DESCRIPTION

[51] **LOC (6) Cl.** **19-04**

FIG. 1 is a perspective view of our new design.

[52] **U.S. Cl.** **D19/26; D19/78; D19/86; D3/900**

FIG. 2 is a right side elevation view.

[58] **Field of Search** D3/303, 900; D19/26, D19/27, 75, 78, 95, 91, 81-85; 402/79, 80 R; 190/900, 902; 229/67.1, 67.4; 281/15.1, 21.1, 29, 30, 31

FIG. 3 is a left side elevation view.

FIG. 4 is a bottom end view.

FIG. 5 is a top end view.

FIG. 6 is a front elevation view;

FIG. 7 is a rear elevation view; and,

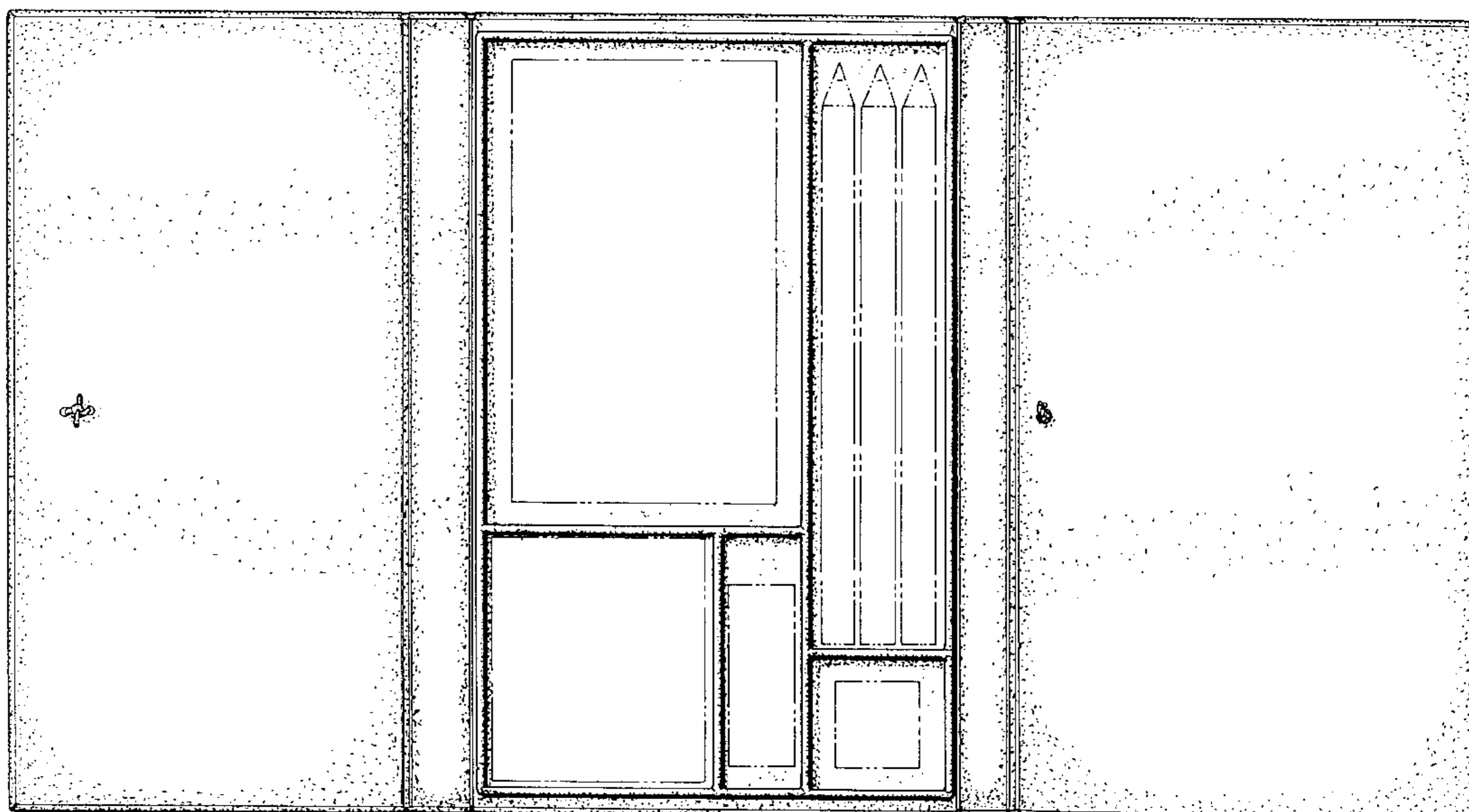
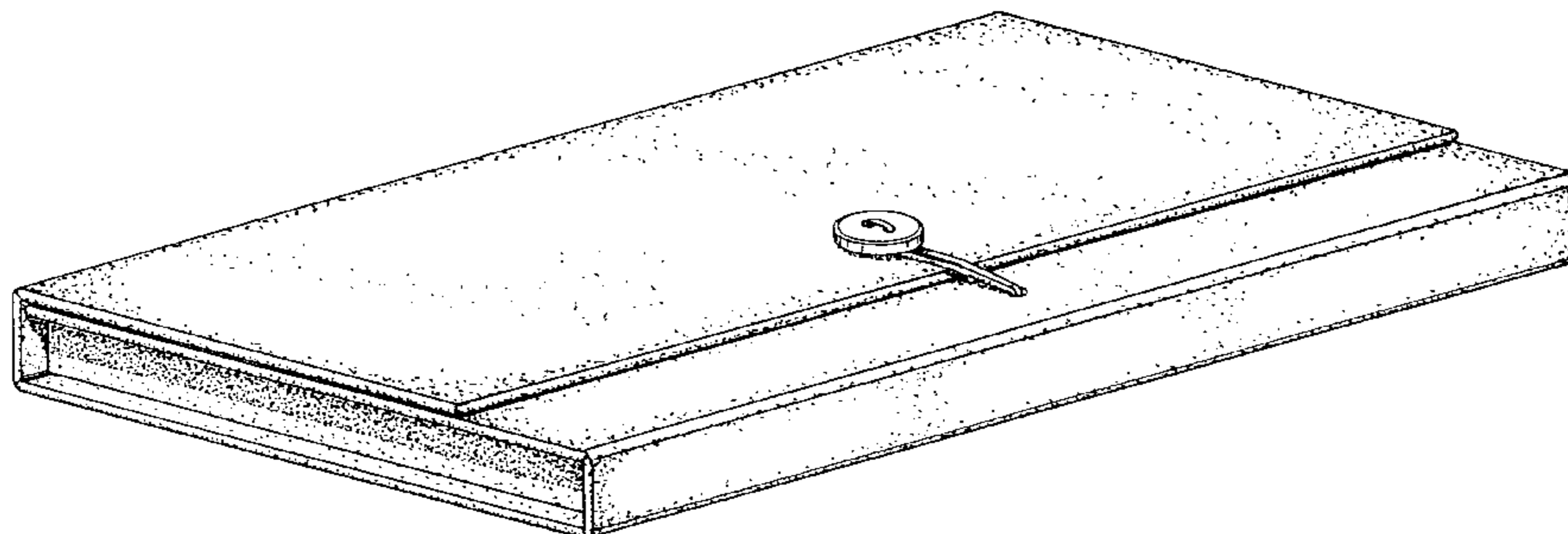
FIG. 8 is a front elevation view of the portfolio in an open configuration, the stationery items depicted by means of broken lines being shown in illustrative purposes only and forming no part of the claimed design.

[56] **References Cited**

U.S. PATENT DOCUMENTS

D. 281,511 11/1985 Brucoli D19/26

1 Claim, 3 Drawing Sheets



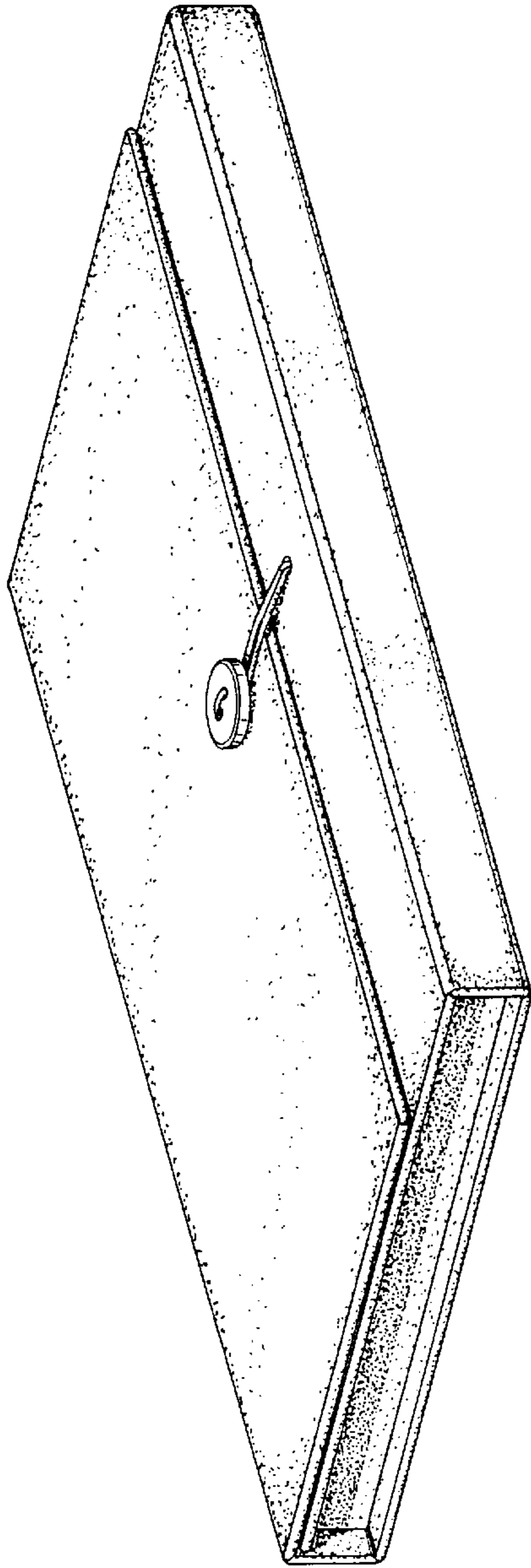


FIG. 1

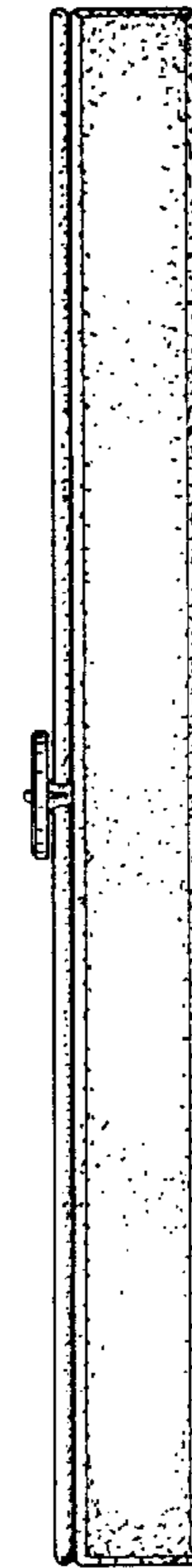


FIG. 2

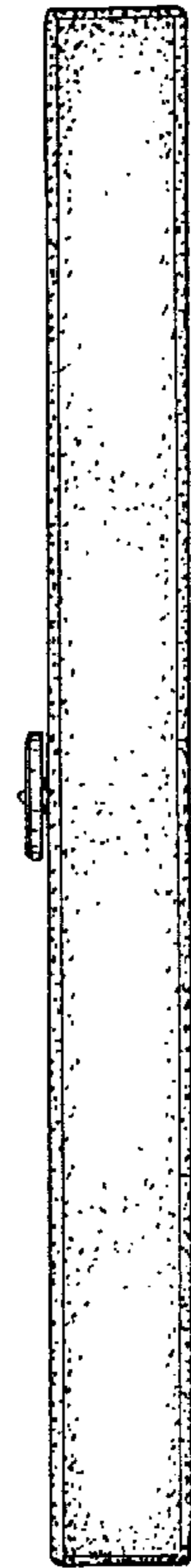


FIG. 3

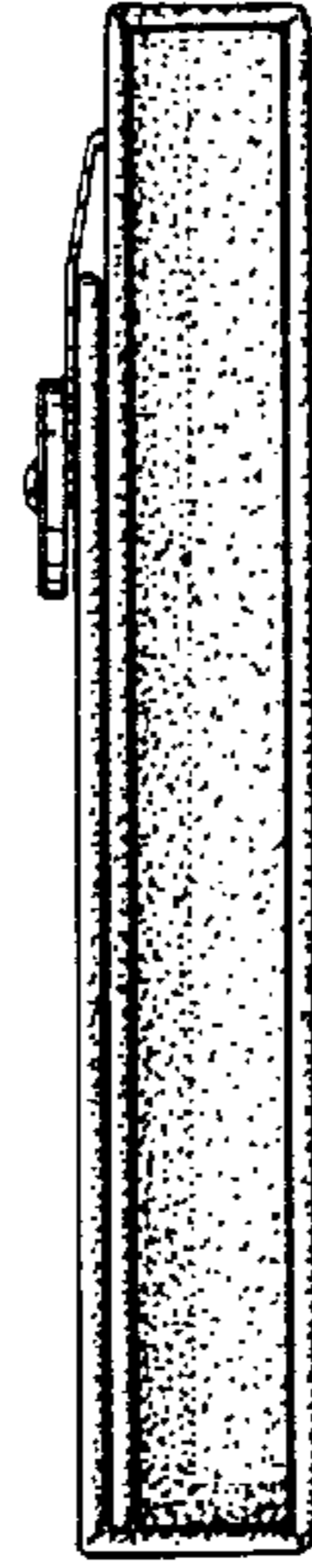


FIG. 4



FIG. 5

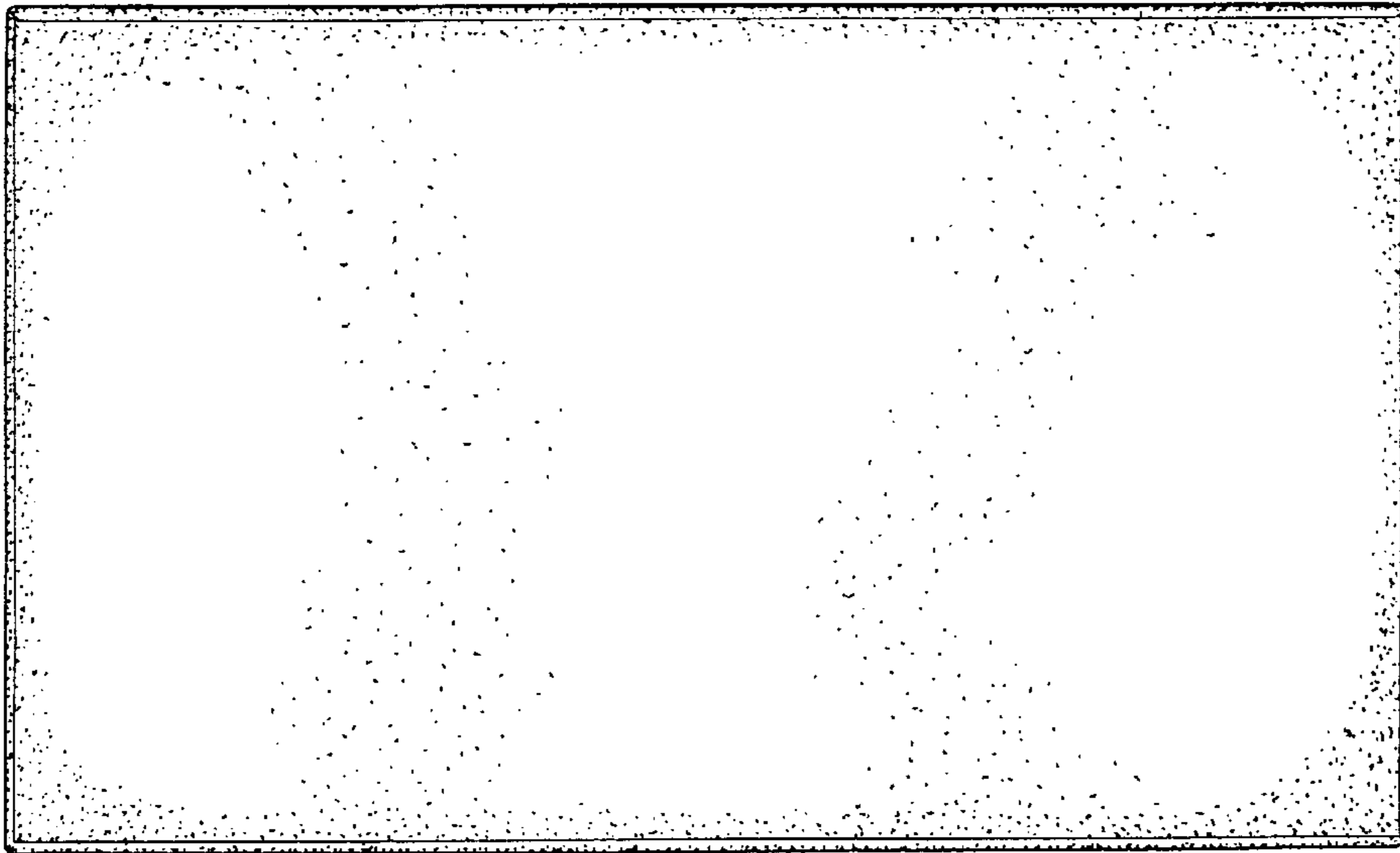


FIG. 7

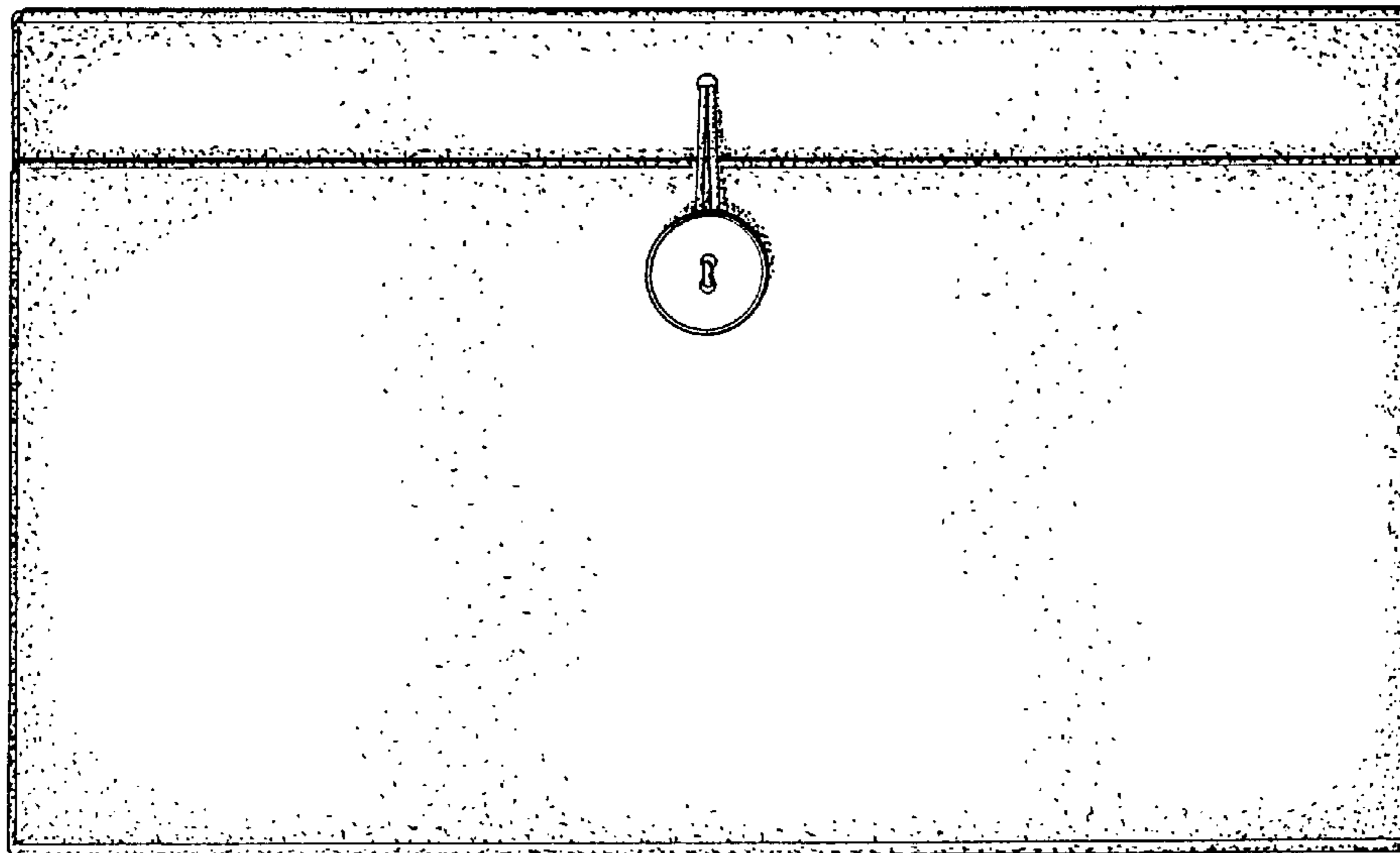


FIG. 6

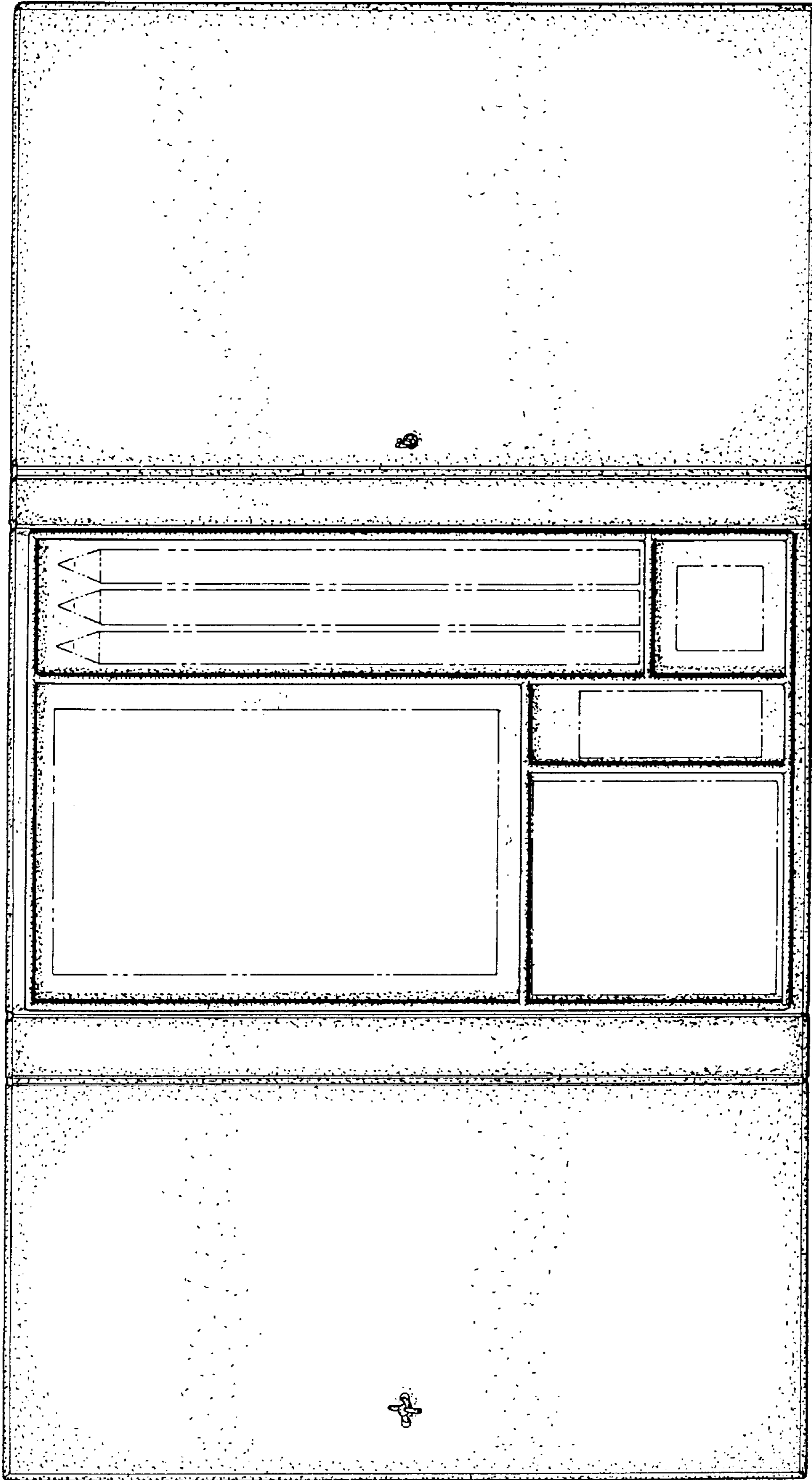


FIG. 8