



US00D423569S

# United States Patent [19]

Gassett et al.

[11] Patent Number: Des. 423,569

[45] Date of Patent: \*\* Apr. 25, 2000

[54] **INK CARTRIDGE FOR PRINTER**

[75] Inventors: **John Wayne Gassett; Steven Robert Komplin**, both of Lexington, Ky.; **Anthony Michael Scheetz**, Cincinnati, Ohio

[73] Assignee: **Lexmark International, Inc.**, Lexington, Ky.

[\*\*] Term: **14 Years**

[21] Appl. No.: **29/106,332**

[22] Filed: **Jun. 11, 1999**

[51] **LOC (6) Cl.** ..... **18-02**

[52] **U.S. Cl.** ..... **D18/56; 347/86**

[58] **Field of Search** ..... **D18/56; 347/86, 347/87**

D. 392,312	3/1998	Inoue et al. .	
D. 395,916	7/1998	Inoue et al. .	
D. 400,574	11/1998	Inoue et al. .	
D. 401,620	11/1998	Nozawa et al. ....	D18/56
D. 401,621	11/1998	Shimizu et al. ....	D18/56
4,931,811	6/1990	Cowger et al. .	
4,999,652	3/1991	Chan .	
5,450,112	9/1995	Scheffelin .	
5,467,117	11/1995	Evans et al. .	
5,467,118	11/1995	Gragg et al. .	
5,502,479	3/1996	Ishinaga et al. .	
5,504,513	4/1996	Nobel et al. .	
5,515,092	5/1996	Swanson et al. .	
5,526,030	6/1996	Baldwin et al. .	
5,600,358	2/1997	Baldwin et al. .	
5,905,518	5/1999	DeFilippis .	
6,000,791	12/1999	Scheffelin et al. ....	347/87

**FOREIGN PATENT DOCUMENTS**

0 419 189 A1 3/1991 European Pat. Off. .

*Primary Examiner*—Cathy Anne MacCormac  
*Attorney, Agent, or Firm*—Michael T. Sanderson

[56] **References Cited**

**U.S. PATENT DOCUMENTS**

D. 267,330	12/1982	Worrell .	
D. 279,581	7/1985	Juliana et al. .	
D. 314,973	2/1991	Yamamoto .	
D. 325,218	4/1992	La .	
D. 338,224	8/1993	Ujita .	
D. 338,235	8/1993	Komada et al. .	
D. 351,190	10/1994	Oshima et al. .	
D. 353,156	12/1994	Kaplinsky et al. .	
D. 355,930	2/1995	Tokuda et al. ....	D18/56
D. 361,343	8/1995	Kaplinsky et al. .	
D. 363,507	10/1995	Kashino .	
D. 363,508	10/1995	Kashino et al. .	
D. 369,383	4/1996	Miyazawa et al. .	
D. 373,381	9/1996	Altendorf et al. .	
D. 375,523	11/1996	Murray .	
D. 391,289	2/1998	Inoue et al. .	

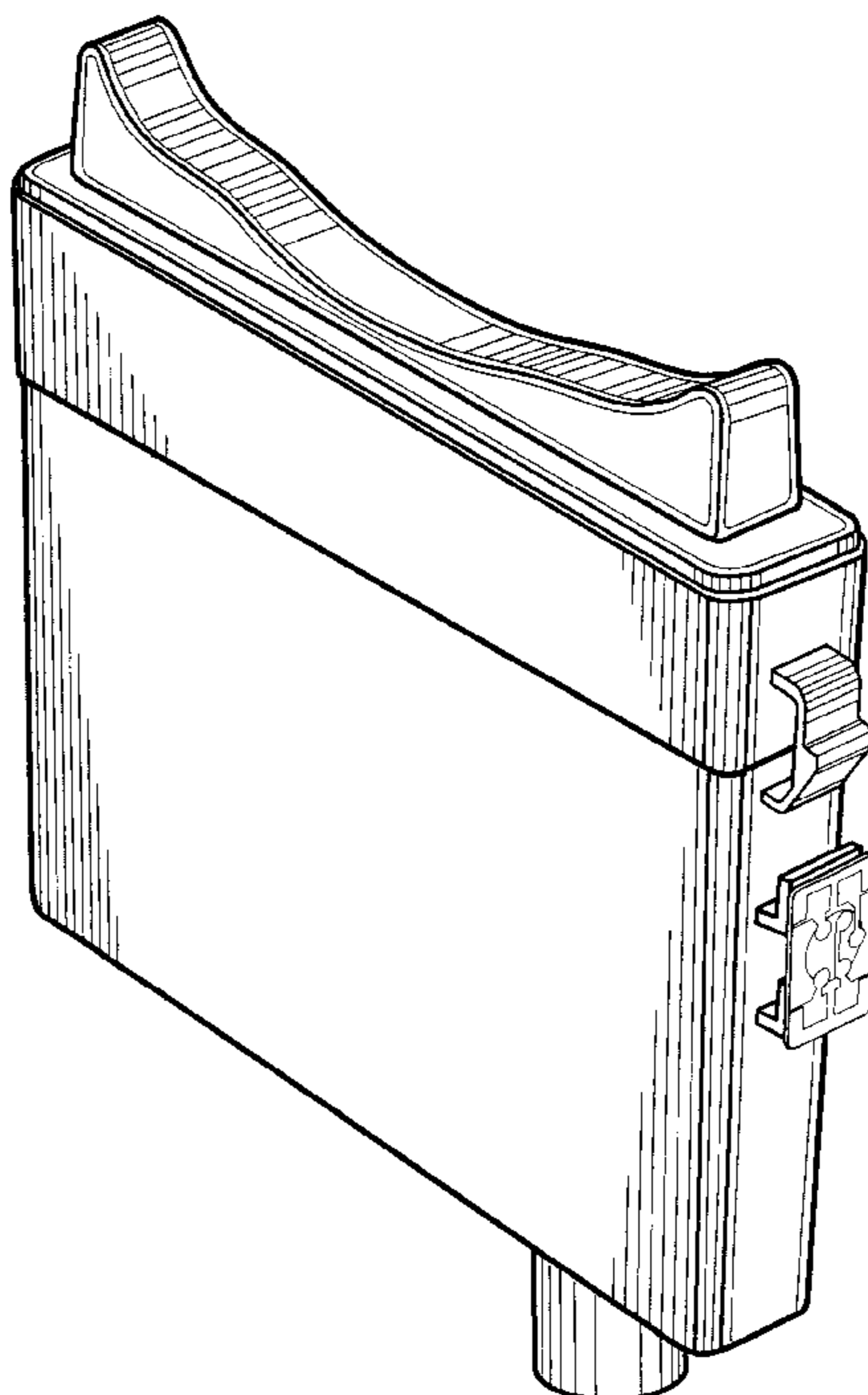
[57] **CLAIM**

The ornamental design for an ink cartridge for printer, as shown and described.

**DESCRIPTION**

FIG. 1 is a top, front right side perspective view of an ink cartridge for printer in accordance with our new design; FIG. 2 is a left side view thereof; FIG. 3 is a right side view thereof; FIG. 4 is a rear view thereof; FIG. 5 is a front view thereof; FIG. 6 is a top view thereof; and, FIG. 7 is a bottom view thereof.

**1 Claim, 3 Drawing Sheets**



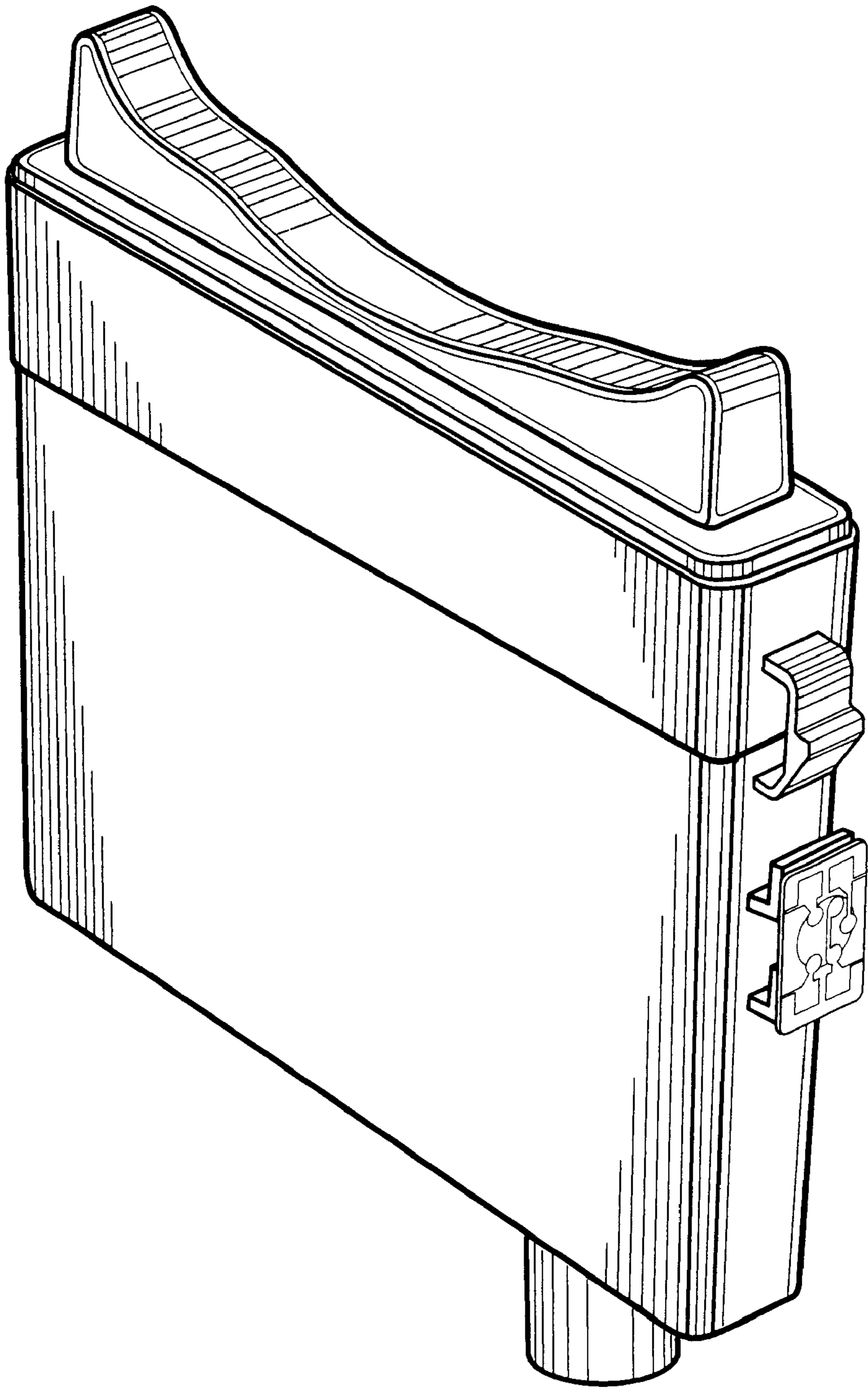


FIG. 1

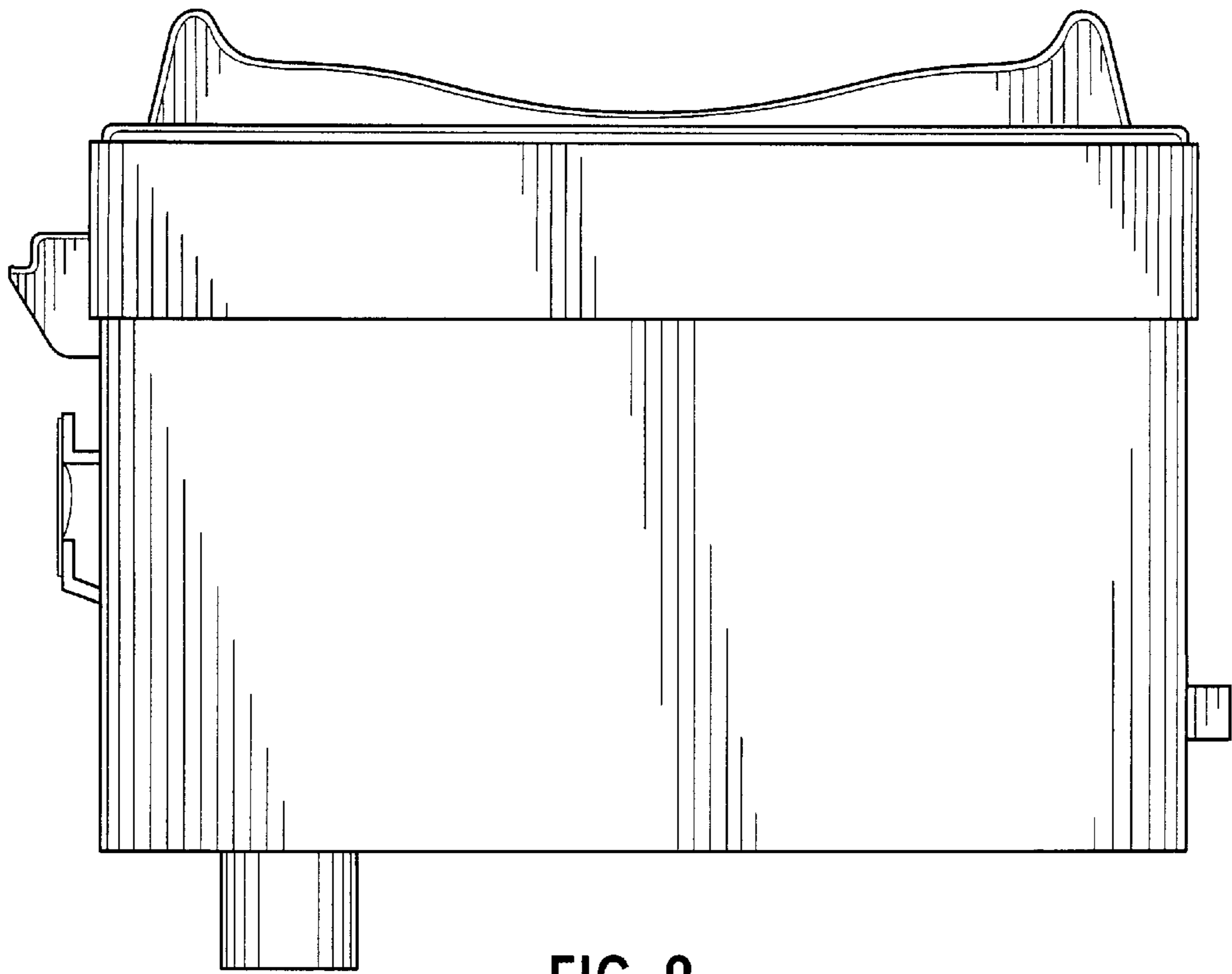


FIG. 2

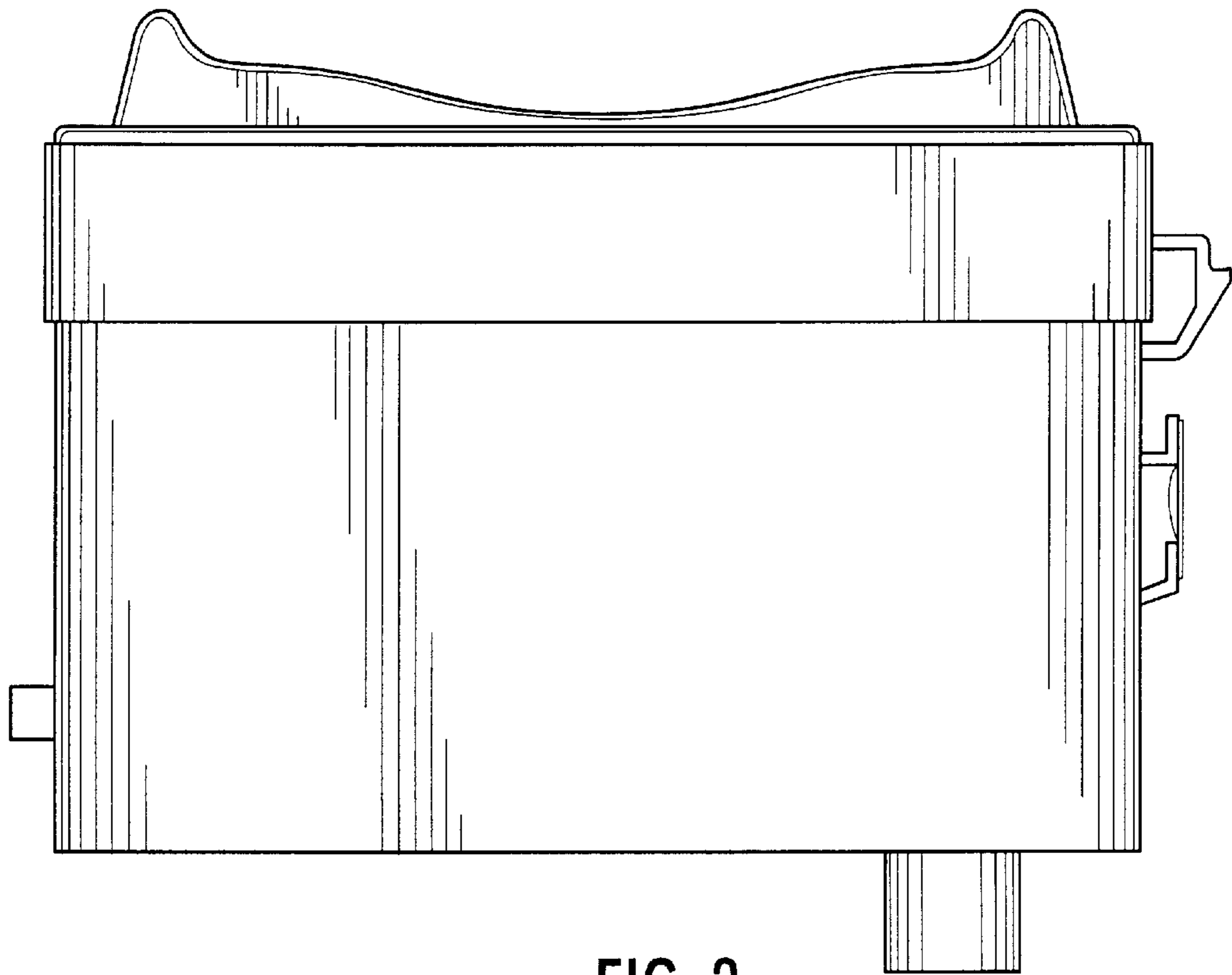


FIG. 3

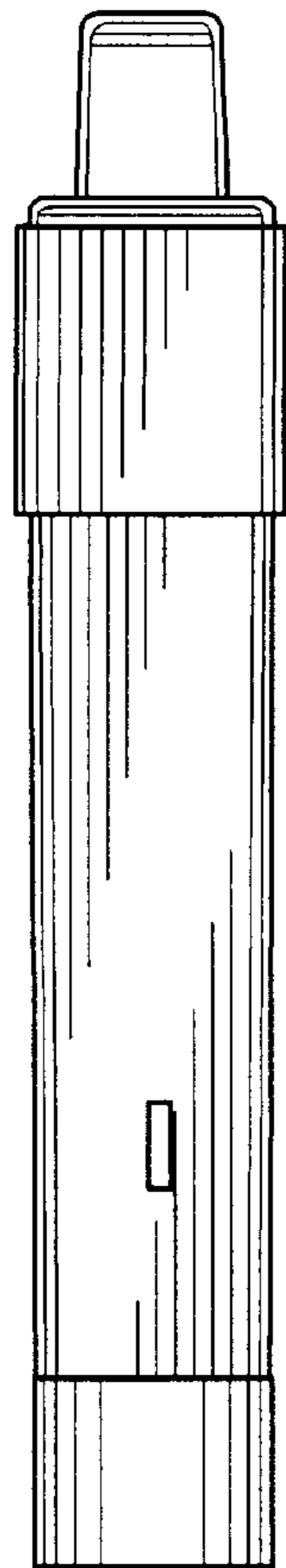


FIG. 4

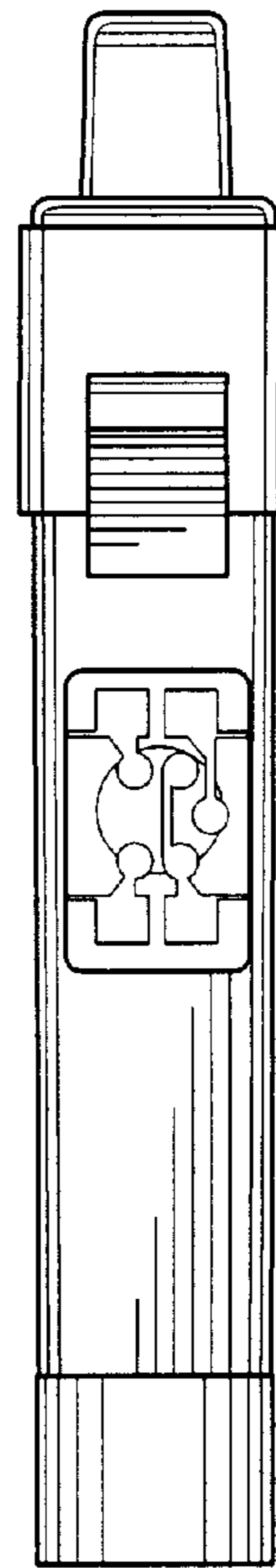


FIG. 5

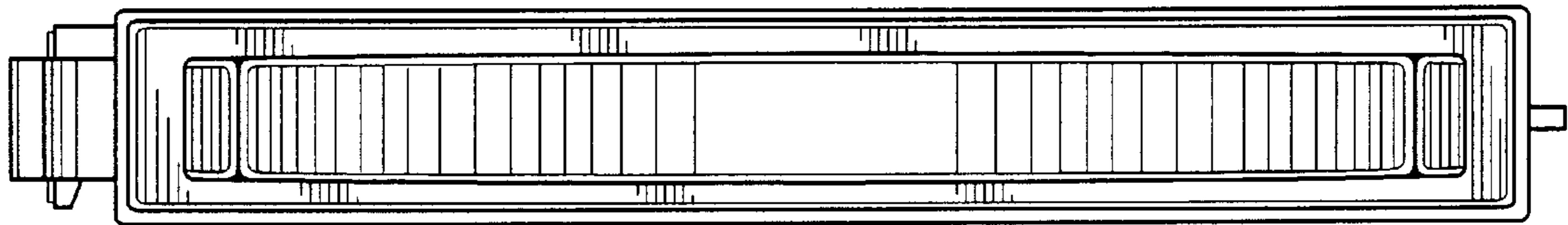


FIG. 6

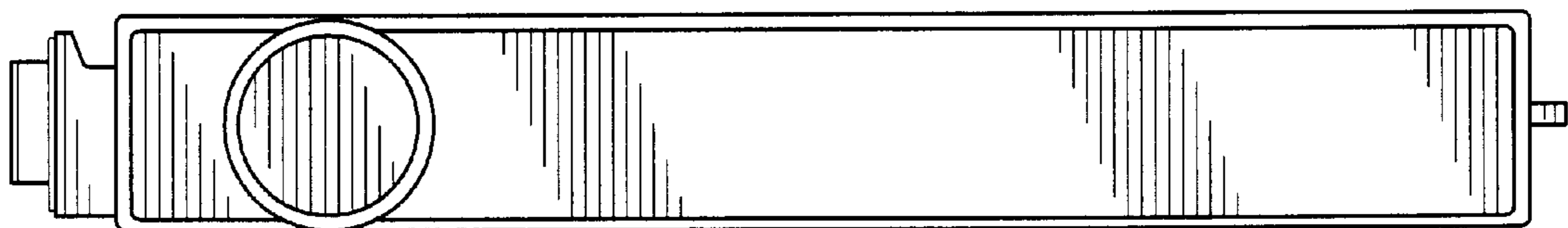


FIG. 7