



US00D423566S

United States Patent [19]

Hosono

[11] Patent Number: Des. 423,566

[45] Date of Patent: ** Apr. 25, 2000

[54] CARTRIDGE FOR A LABEL PRINTER

[75] Inventor: Hiroo Hosono, Hachioji, Japan

[73] Assignee: Olympus Optical Co., Ltd., Tokyo, Japan

[**] Term: 14 Years

[21] Appl. No.: 29/098,470

[22] Filed: Dec. 30, 1998

[30] Foreign Application Priority Data

Jul. 14, 1998 [JP] Japan 10-20197

[51] LOC (6) Cl. 18-02

[52] U.S. Cl. D18/56

[58] Field of Search 400/235.1, 207, 400/208, 234; D18/56, 43, 44, 12

[56] References Cited

U.S. PATENT DOCUMENTS

D. 318,870	8/1991	Matsuoka	D18/12
D. 347,241	5/1994	Watanabe et al.	D18/56
D. 358,165	5/1995	Ehara	D18/56
D. 372,269	7/1996	Miyazaki et al.	D18/56
3,381,810	5/1968	Lasher et al.	400/207
3,976,185	8/1976	Aebi	400/208
4,671,687	6/1987	Tamai	400/208
5,056,940	10/1991	Basile	400/235.1
5,098,208	3/1992	Martinez	400/208
5,160,206	11/1992	Haftmann et al.	400/208

5,391,007	2/1995	Kulpa	400/208
5,419,643	5/1995	Matsuura	400/208
5,419,648	5/1995	Nagao et al.	400/208
5,435,658	7/1995	Hasegawa	400/207
5,439,303	8/1995	Alday	D18/56
5,454,650	10/1995	Yamaguchi	400/208
5,499,877	3/1996	Sakanishi et al.	D18/56
5,529,409	6/1996	Graverholt et al.	400/208

Primary Examiner—Cathy Anne MacCormac
Attorney, Agent, or Firm—Laff, Whitesel & Saret, Ltd.; J. Warren Whitesel

[57] CLAIM

The ornamental design for cartridge for a label printer, as shown and described.

DESCRIPTION

FIG. 1 is a front elevational view of cartridge for a label printer, showing my new design;
FIG. 2 is a top plan view thereof;
FIG. 3 is a bottom plan view thereof;
FIG. 4 is a right side elevational view thereof;
FIG. 5 is a left side elevational view thereof;
FIG. 6 is a rear elevational view thereof;
FIG. 7 is a front, bottom and left side perspective view thereof; and,
FIG. 8 is an exploded perspective view thereof.
The broken lines are for illustrative purposes only and form no part of the claimed design.

1 Claim, 3 Drawing Sheets

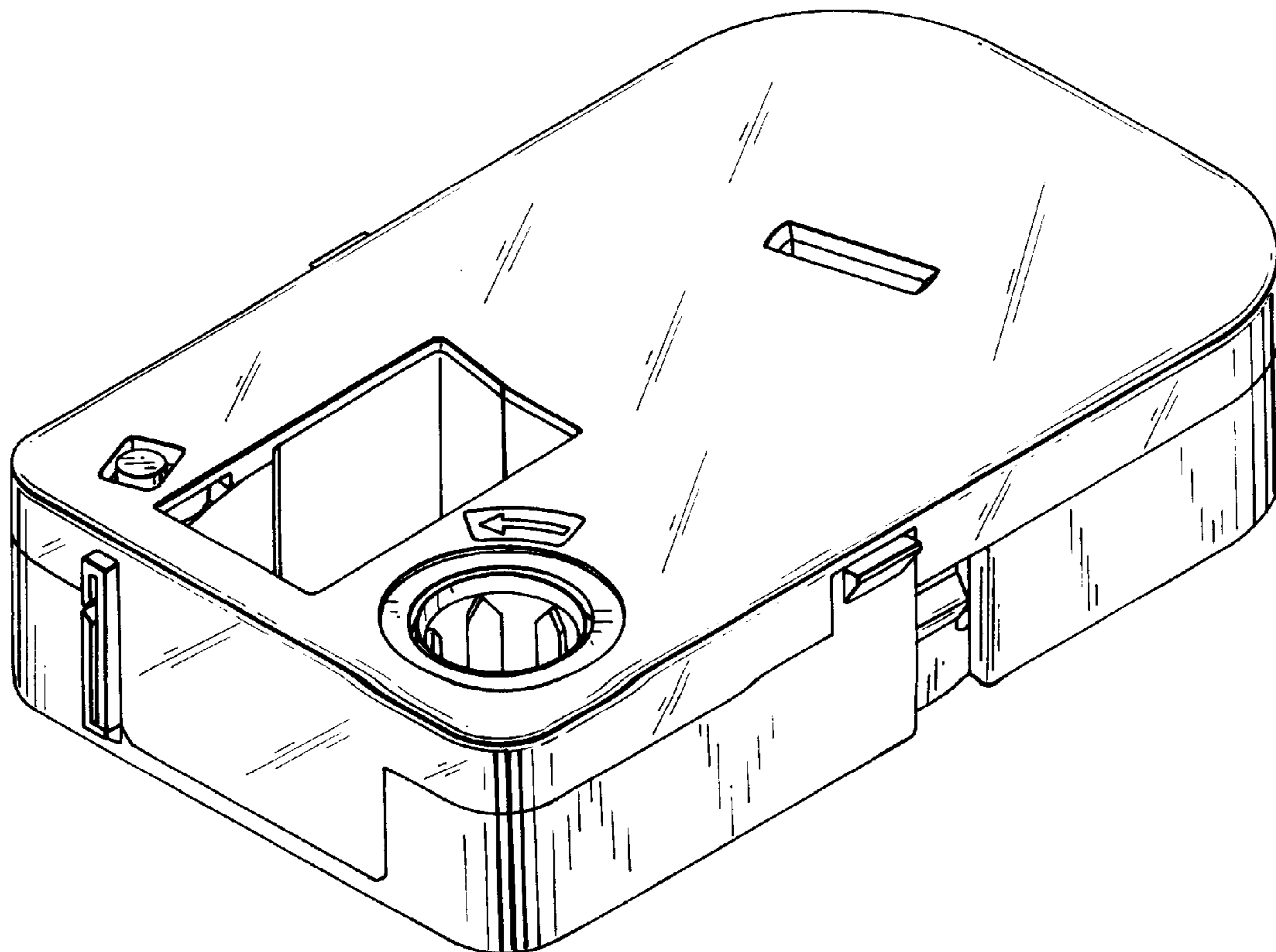


FIG. 1

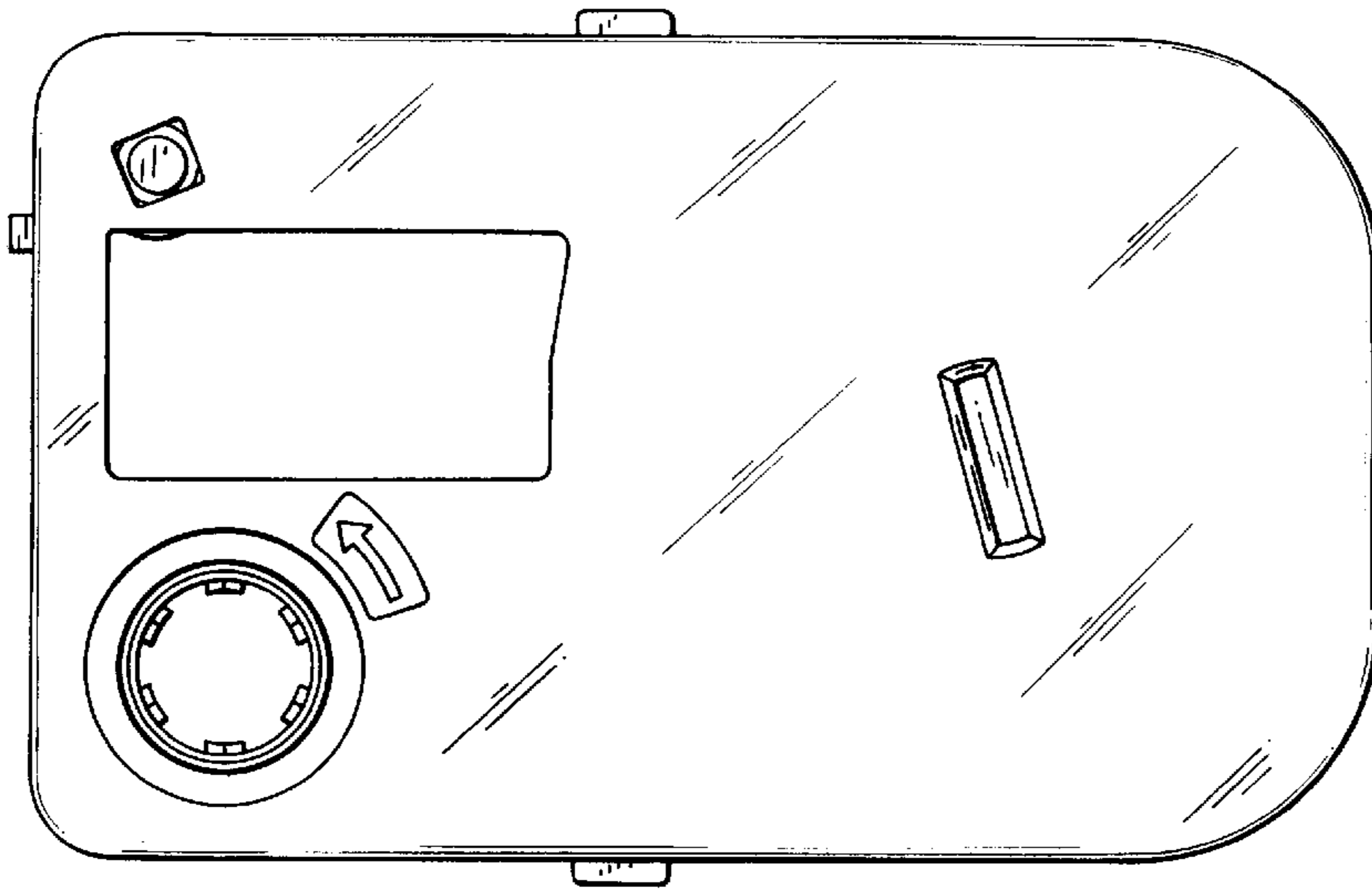


FIG. 4

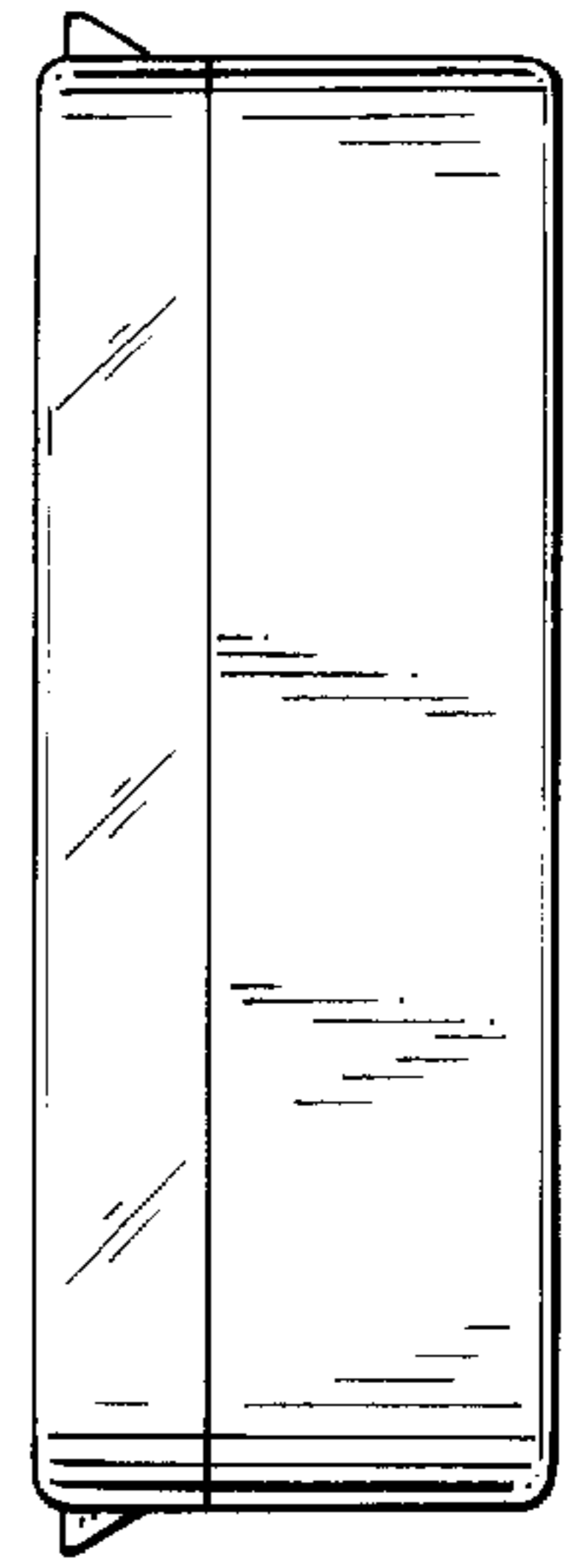


FIG. 2

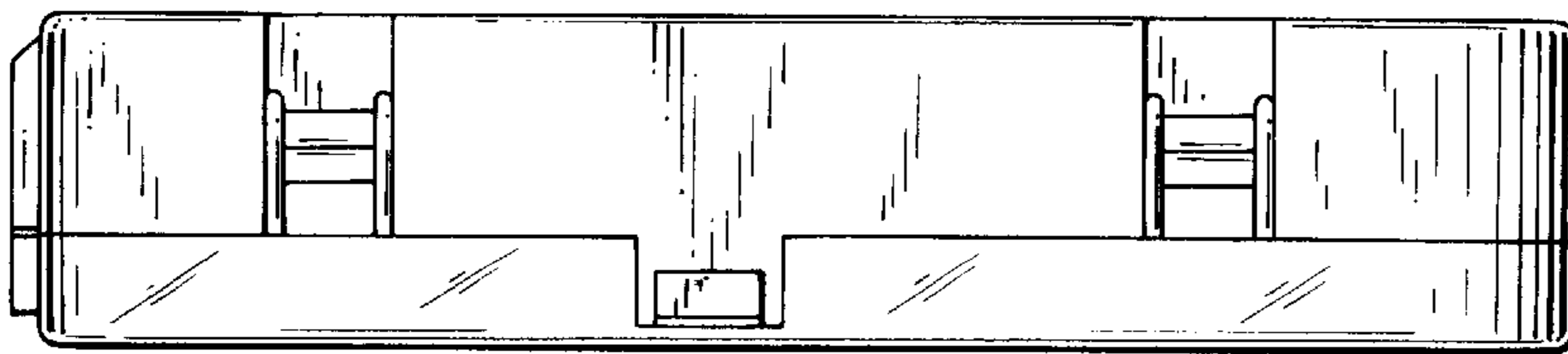


FIG. 5

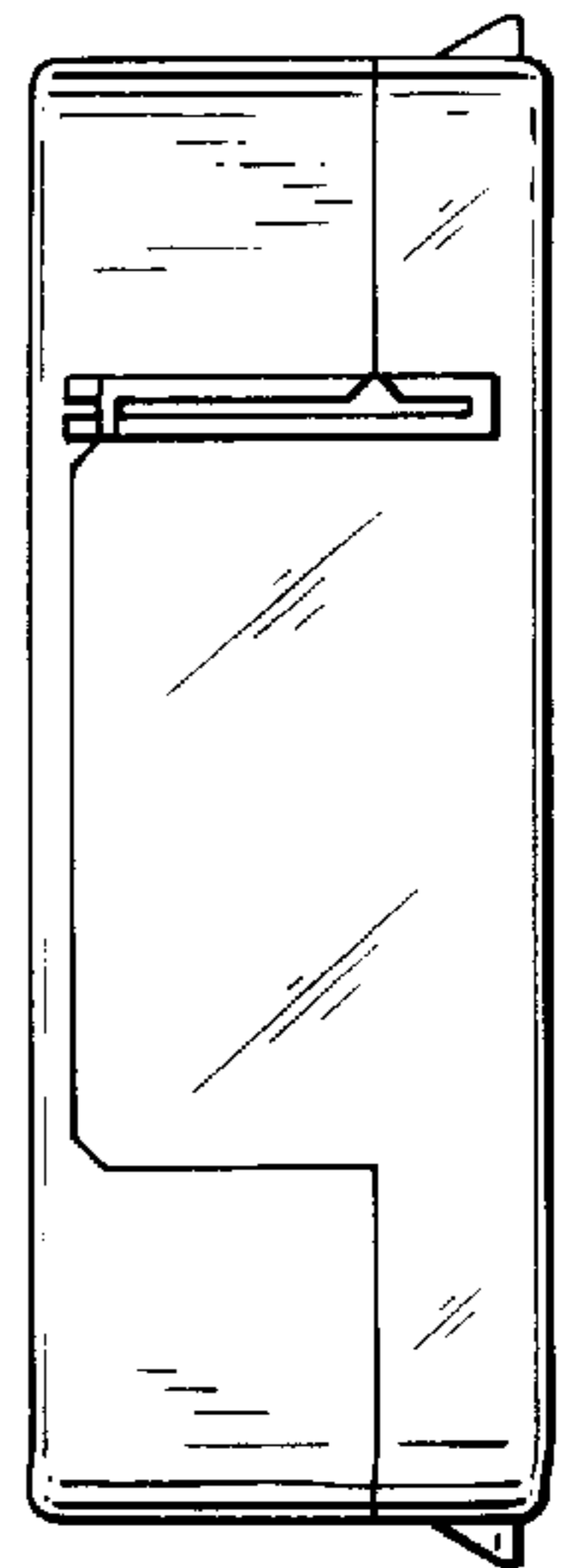


FIG. 3

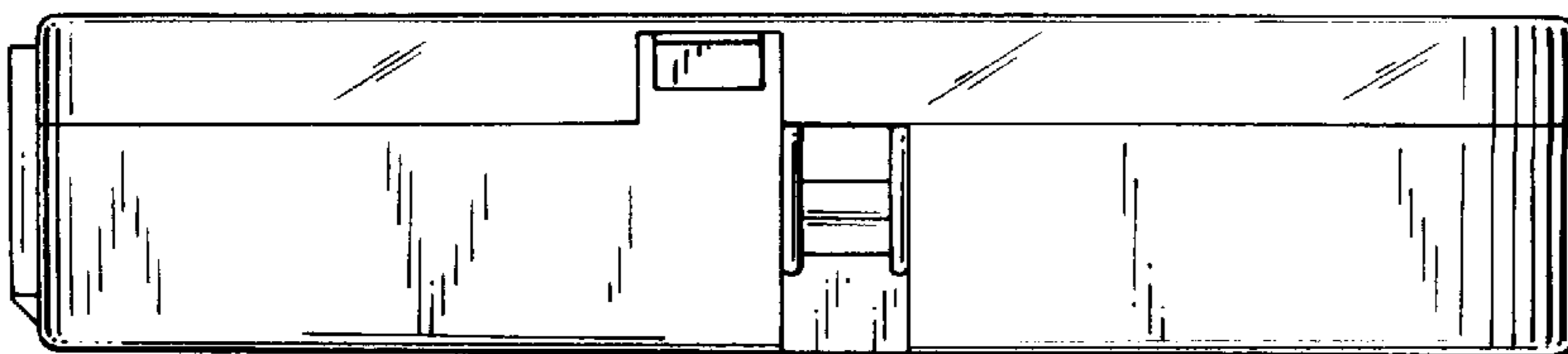


FIG. 6

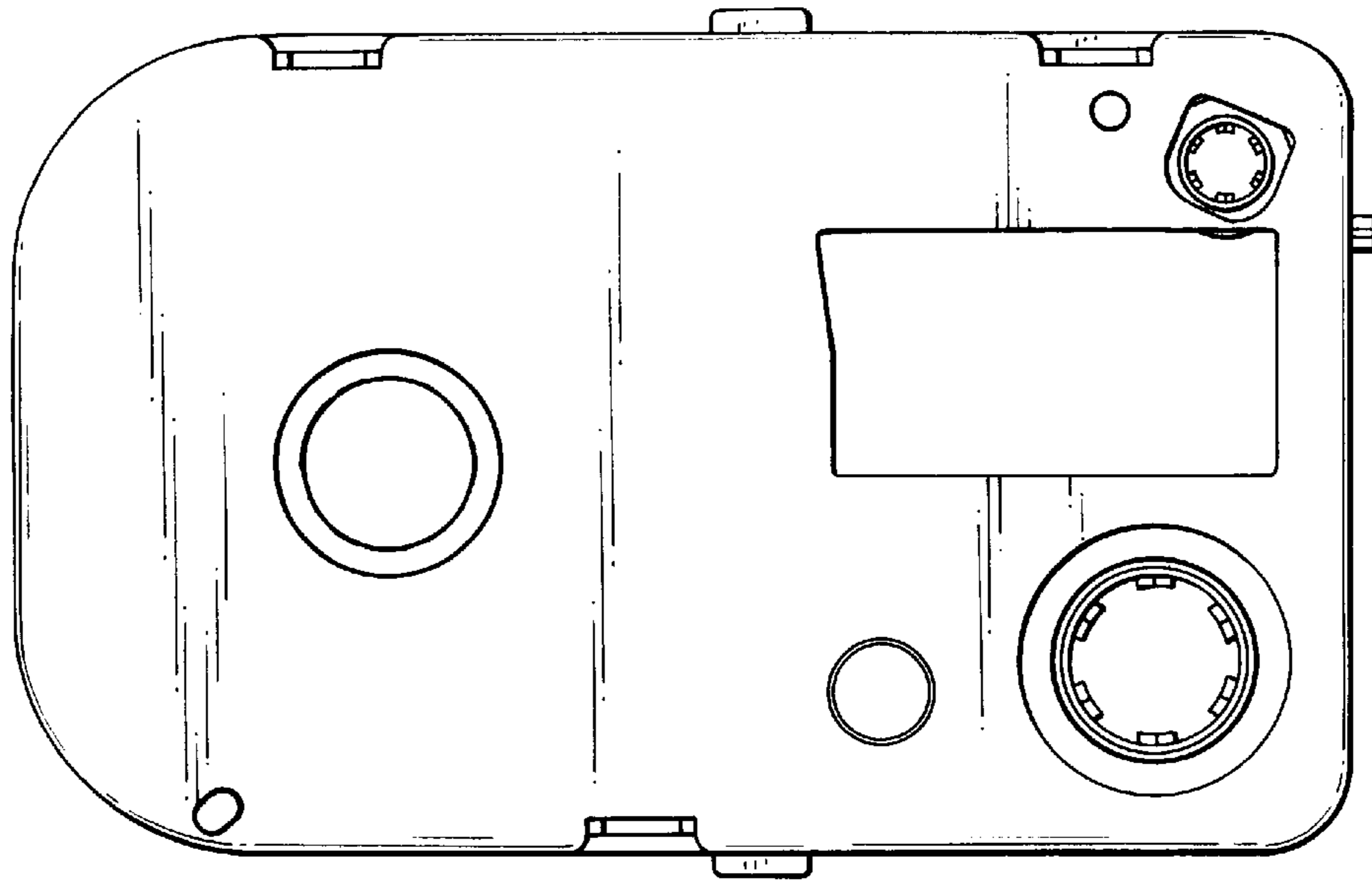


FIG. 7

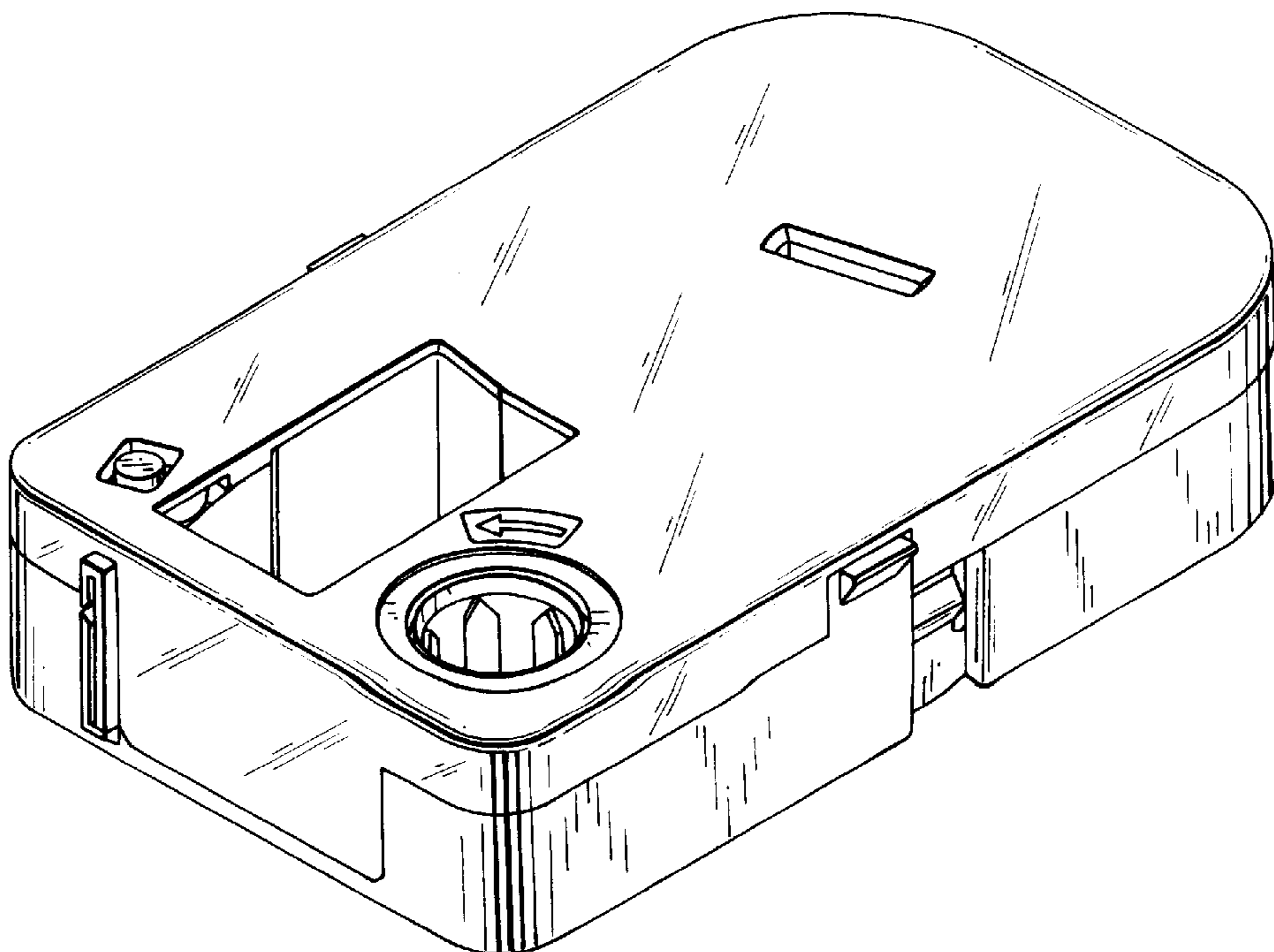


FIG. 8

