



US00D423563S

United States Patent [19]

Collins et al.

[11] Patent Number: Des. 423,563

[45] Date of Patent: ** Apr. 25, 2000

[54] PRINTER

[75] Inventors: Gary Lee Collins, Indian Springs, Ohio; Thomas Eugene Pangburn, Lexington, Ky.

[73] Assignee: Lexmark International, Inc., Lexington, Ky.

[**] Term: 14 Years

[21] Appl. No.: 29/096,776

[22] Filed: Nov. 19, 1998

[51] LOC (6) Cl. 14-02

[52] U.S. Cl. D18/55

[58] Field of Search D18/50, 54-55, D18/36-37; 400/613, 613.1-613.4, 691-694, 690.1, 690.4

[56] References Cited

U.S. PATENT DOCUMENTS

D. 343,637	1/1994	Umino et al.	D18/55
D. 344,754	3/1994	Parsey	D18/55
D. 349,922	8/1994	Tashiro	D18/50
D. 366,900	2/1996	Pangburn et al.	D18/50
D. 371,158	6/1996	Yoshida	D18/50
D. 373,595	9/1996	Askren et al.	D18/50
D. 375,119	10/1996	Pangburn	D18/50

D. 378,100	2/1997	Sekine	D18/54
D. 382,256	8/1997	Lin	D14/107
D. 388,405	12/1997	Lin	D14/107
D. 390,594	2/1998	Sekine	D18/54
D. 390,595	2/1998	Sekine	D18/54
D. 390,597	2/1998	Igarashi et al.	D18/55
D. 395,332	6/1998	Leong et al.	D18/55
D. 399,251	10/1998	McGlashan	D18/55
D. 401,965	12/1998	Pangburn	D18/55
D. 414,508	9/1999	Pangburn	D18/55
D. 414,799	10/1999	Cook et al.	D18/55

Primary Examiner—Cathy Anne MacCormac
Attorney, Agent, or Firm—John A. Brady

[57] CLAIM

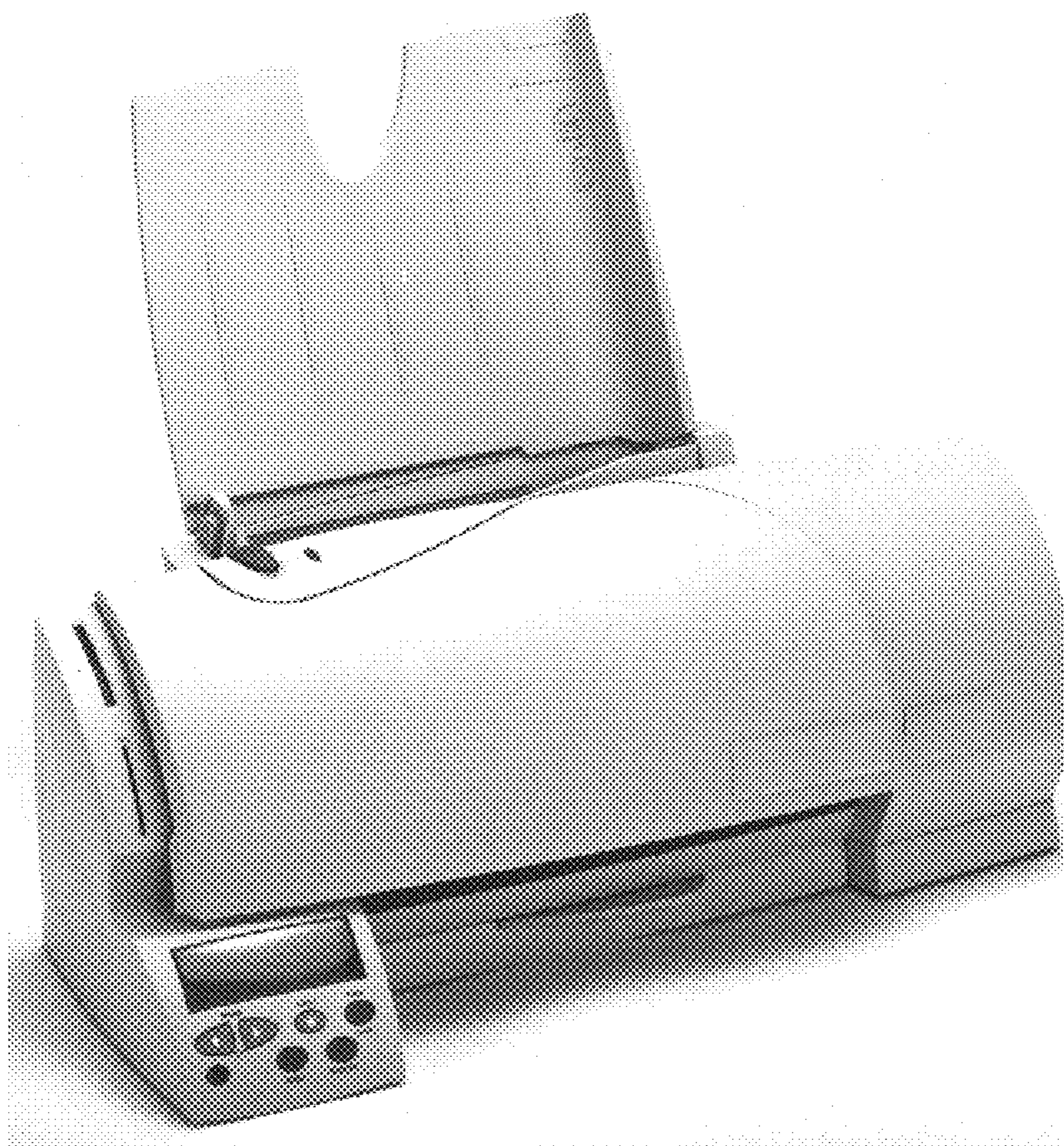
The ornamental design for a printer, as shown and described.

DESCRIPTION

FIG. 1 is a front, left side perspective view of a printer showing our new design;
 FIG. 2 is a front elevational view thereof;
 FIG. 3 is a rear elevational view thereof;
 FIG. 4 is a left side elevational view thereof;
 FIG. 5 is a right side elevational view thereof; and,
 FIG. 6 is a top plan view thereof.

This printer normally rests on a surface, and a bottom view therefor forms no part of our design.

1 Claim, 6 Drawing Sheets



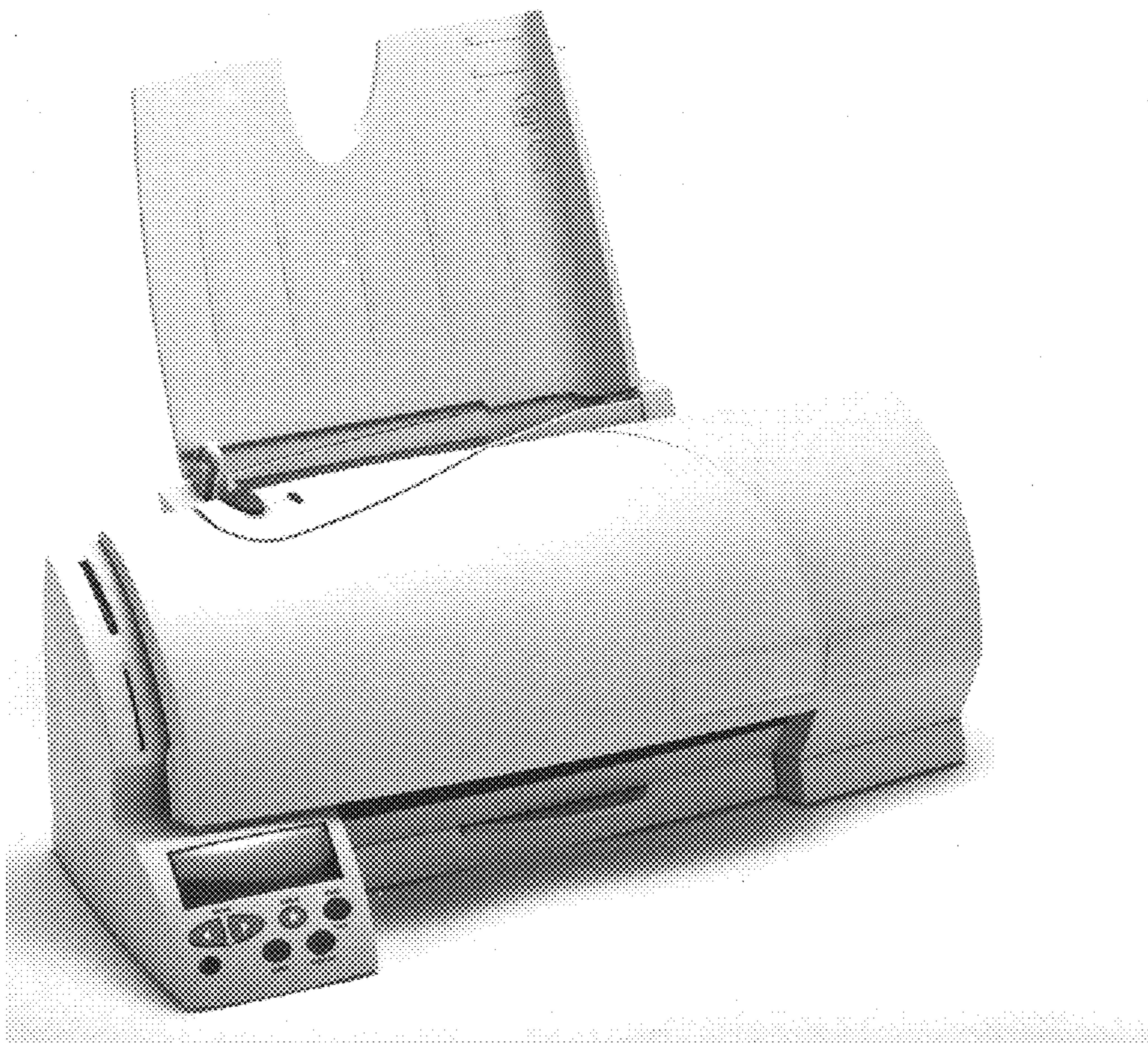


Fig. 1

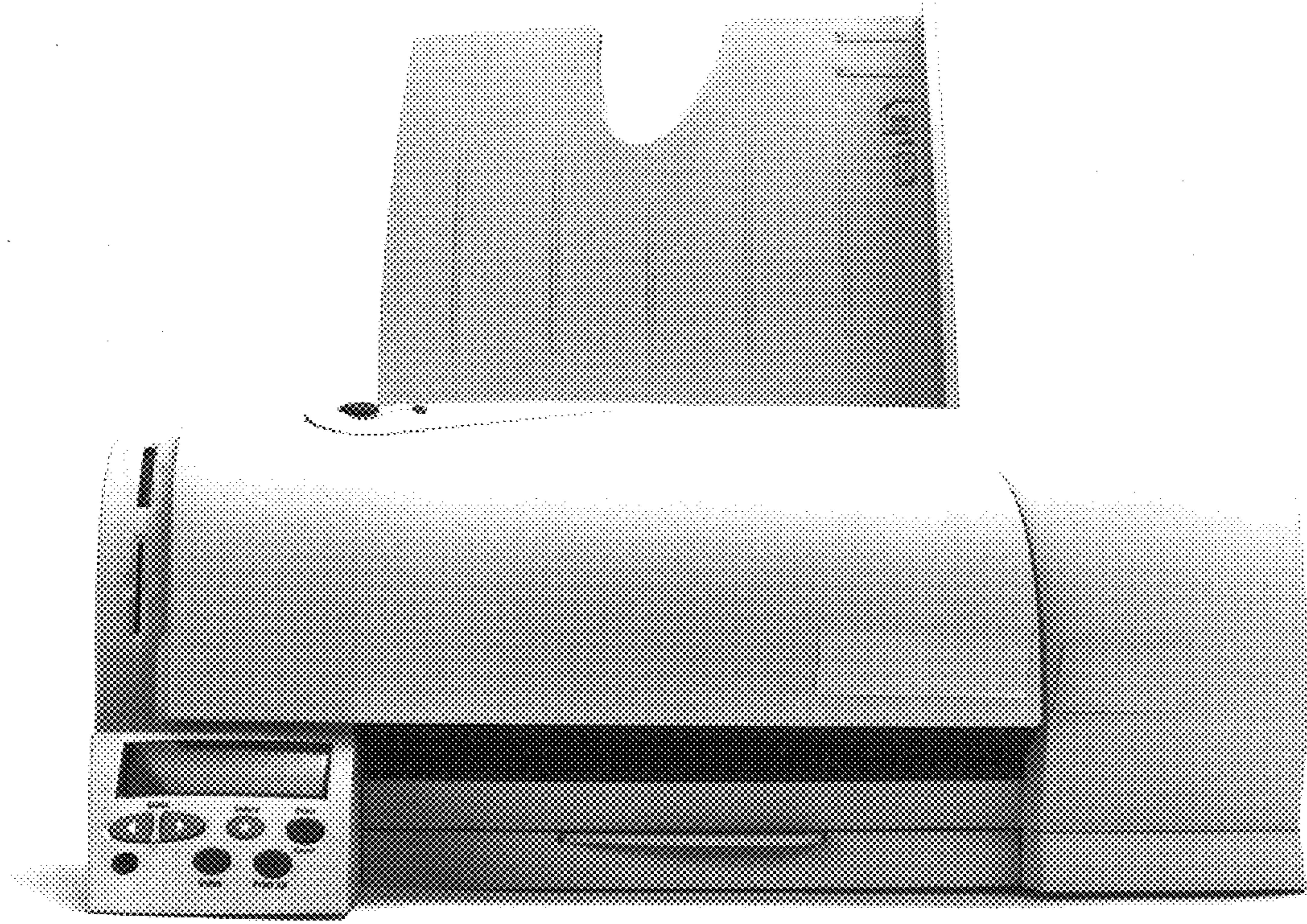
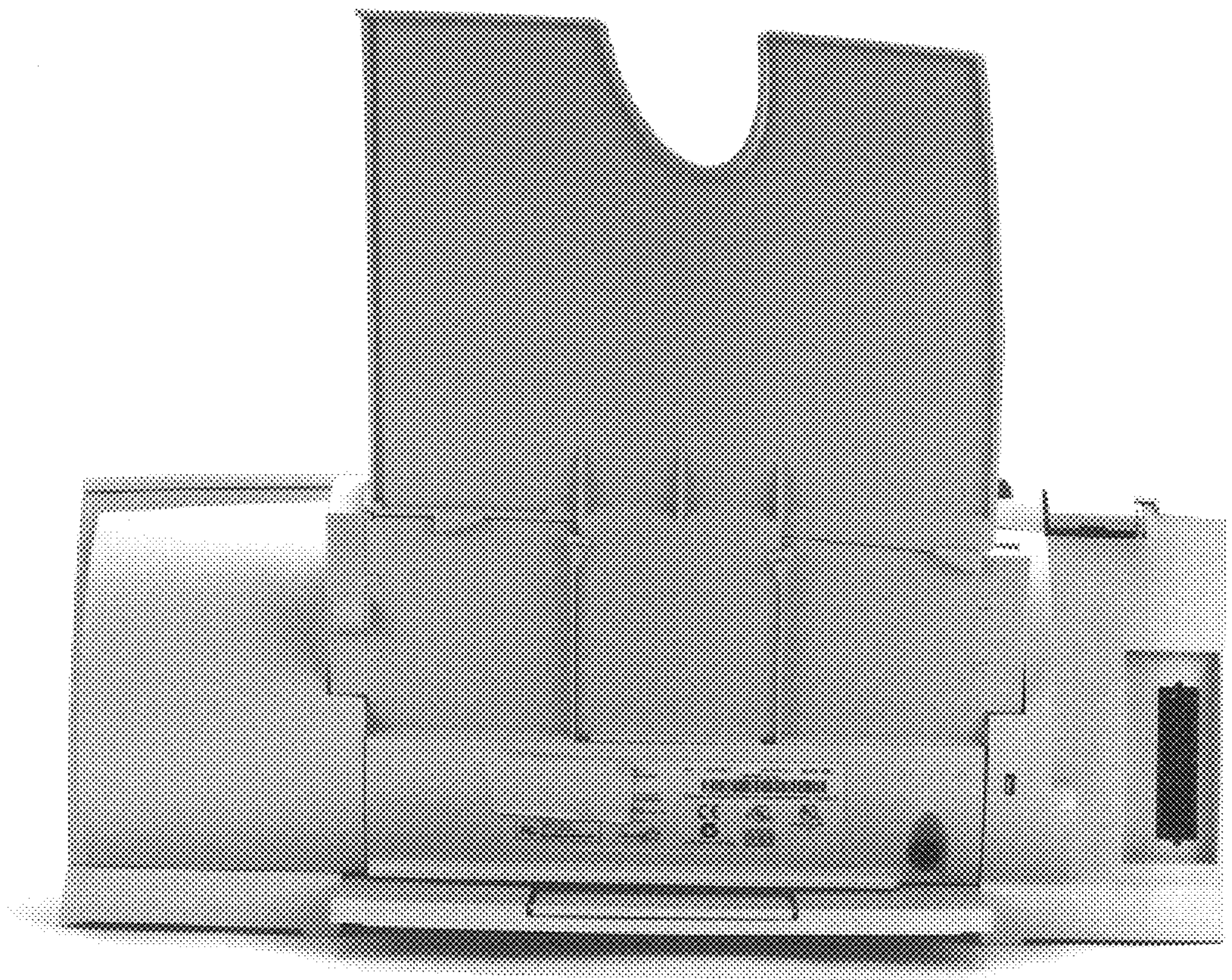


Fig. 2

Fig. 3



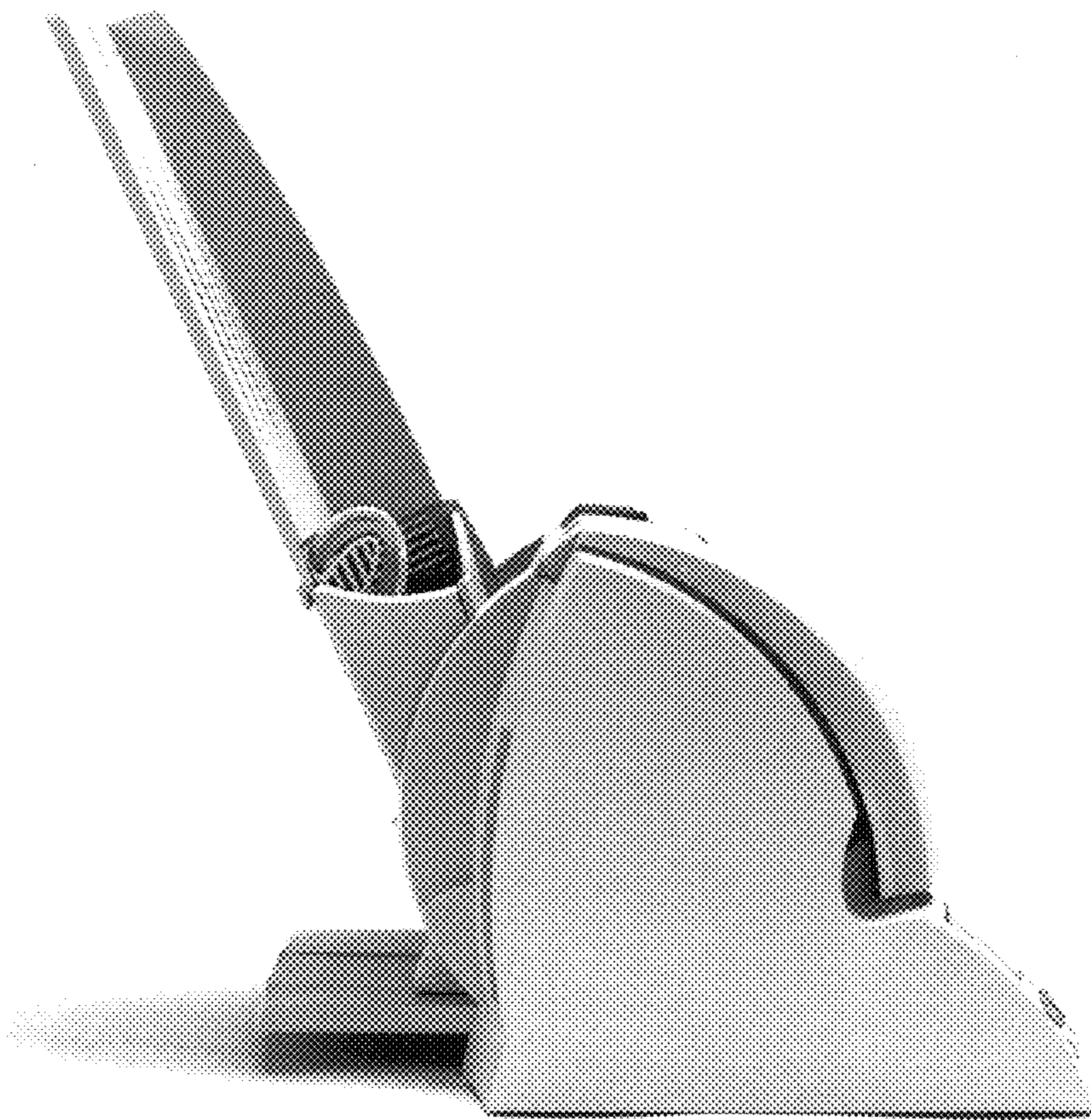


Fig. 4

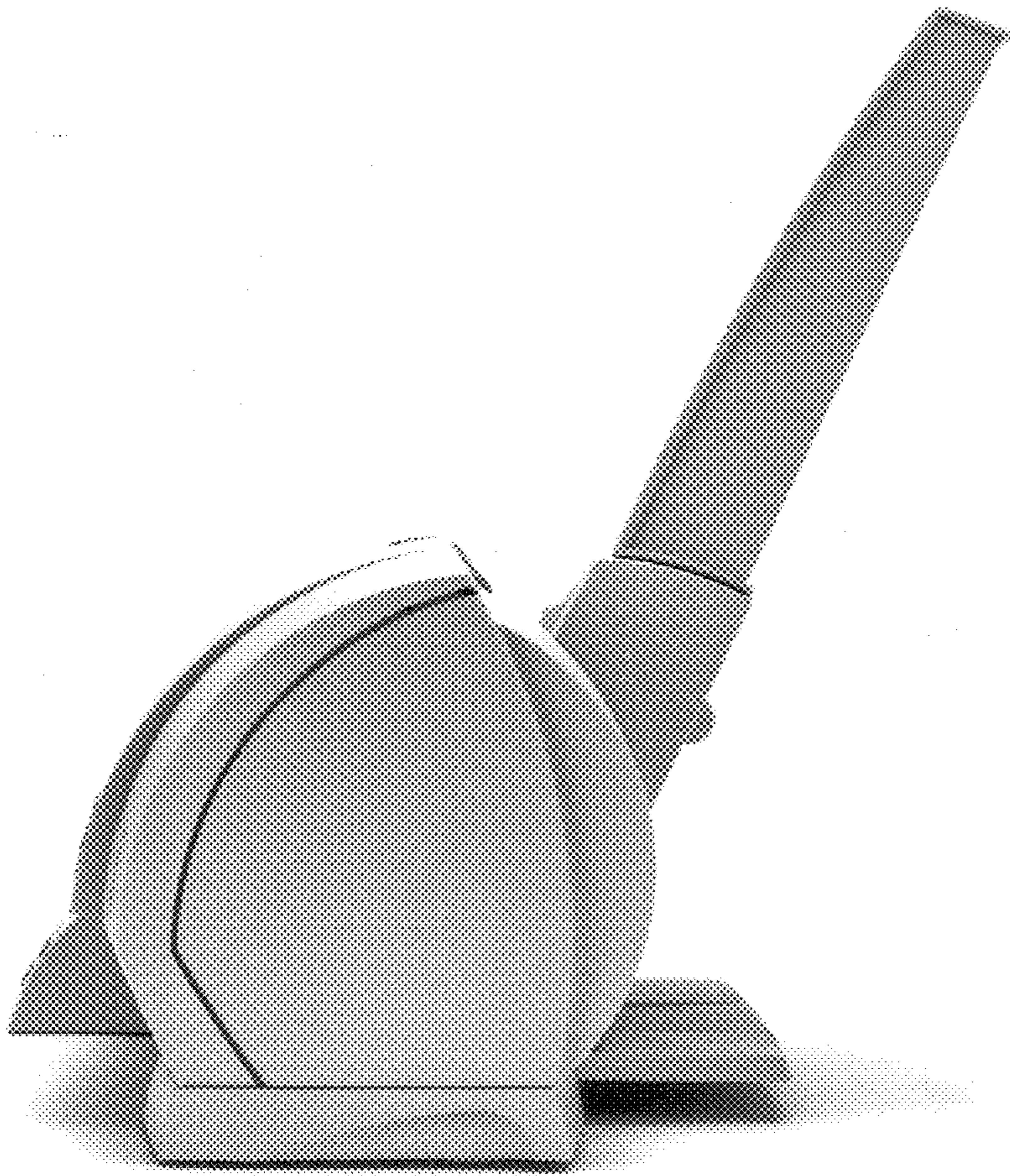


Fig. 5

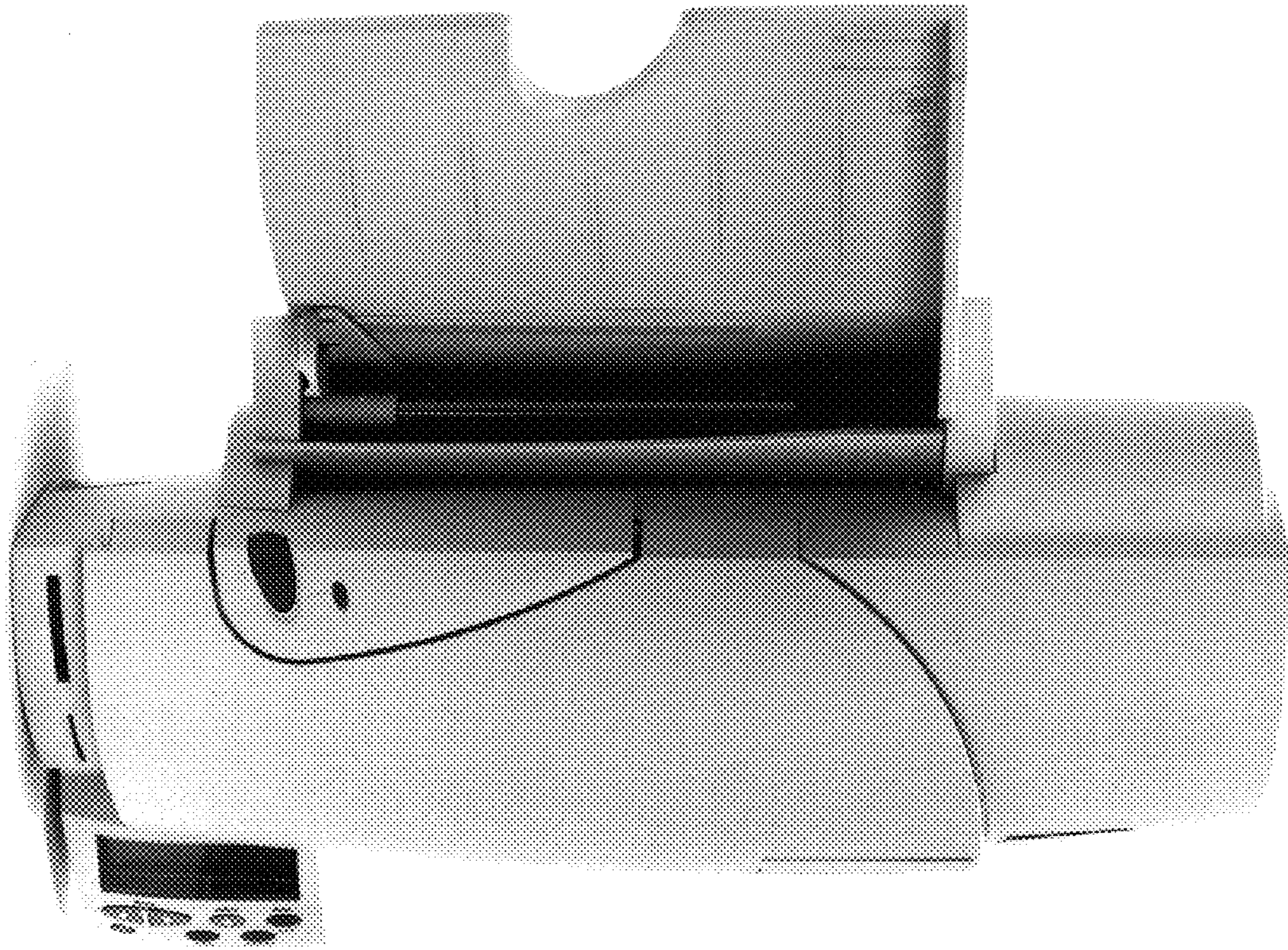


Fig. 6