



US00D423561S

United States Patent [19] Kita

[11] **Patent Number: Des. 423,561**

[45] **Date of Patent: ** Apr. 25, 2000**

[54] **TONER CARTRIDGE**

[75] Inventor: **Nobuhiko Kita**, Okazaki, Japan

[73] Assignee: **Minolta Co., Ltd.**, Osaka, Japan

[**] Term: **14 Years**

[21] Appl. No.: **29/096,076**

[22] Filed: **Nov. 3, 1998**

[30] **Foreign Application Priority Data**

May 8, 1998 [JP] Japan 10-13148

[51] **LOC (6) Cl.** **16-03**

[52] **U.S. Cl.** **D18/43**

[58] **Field of Search** D18/36, 40, 43,
D18/56; 399/24, 27, 106, 256, 262; 222/DIG. 1

[56] **References Cited**

U.S. PATENT DOCUMENTS

D. 366,277 1/1996 Kawamura D18/43

D. 379,829 6/1997 Hayashi D18/56

D. 401,618 11/1998 Ikehata D18/43

D. 410,947 6/1999 Schwamkrug D18/43

Primary Examiner—Caron D. Veynar

Attorney, Agent, or Firm—Burns, Doane, Swecker & Mathis, LLP

[57] **CLAIM**

The ornamental design for a toner cartridge, as shown and described.

DESCRIPTION

FIG. 1 is a bottom perspective view of a toner cartridge showing my new design;

FIG. 2 is a top plan view thereof;

FIG. 3 is a front elevational view thereof;

FIG. 4 is a rear elevational view thereof;

FIG. 5 is a bottom plan view thereof;

FIG. 6 is a left side elevational view thereof;

FIG. 7 is a right side elevational view thereof;

FIG. 8 is a bottom perspective view of a second embodiment of a toner cartridge showing my new design;

FIG. 9 is a top plan view thereof;

FIG. 10 is a front elevational view thereof;

FIG. 11 is a rear elevational view thereof;

FIG. 12 is a bottom plan view thereof;

FIG. 13 is a left side elevational view thereof; and,

FIG. 14 is a right side elevational view thereof.

1 Claim, 8 Drawing Sheets

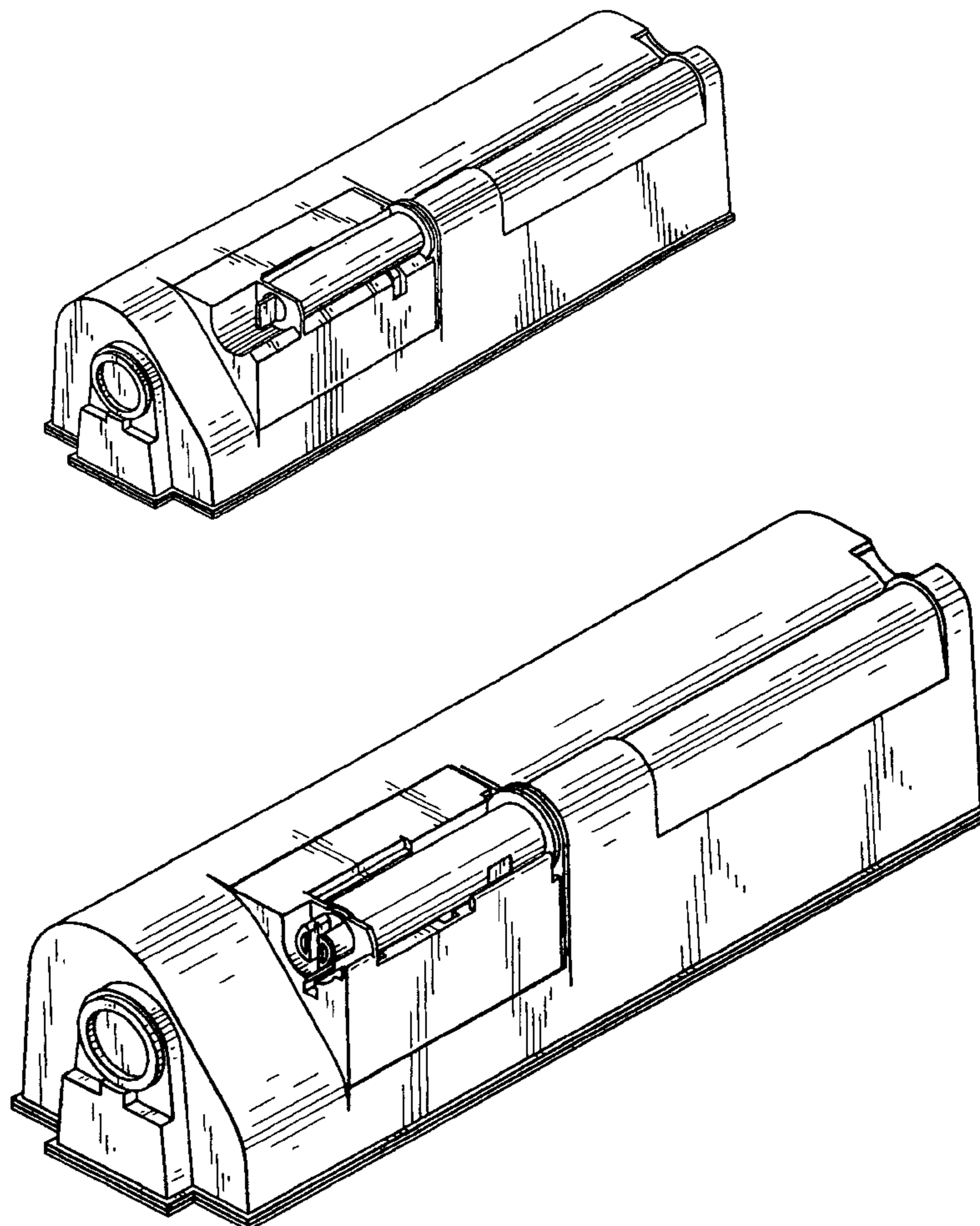


Fig. 1

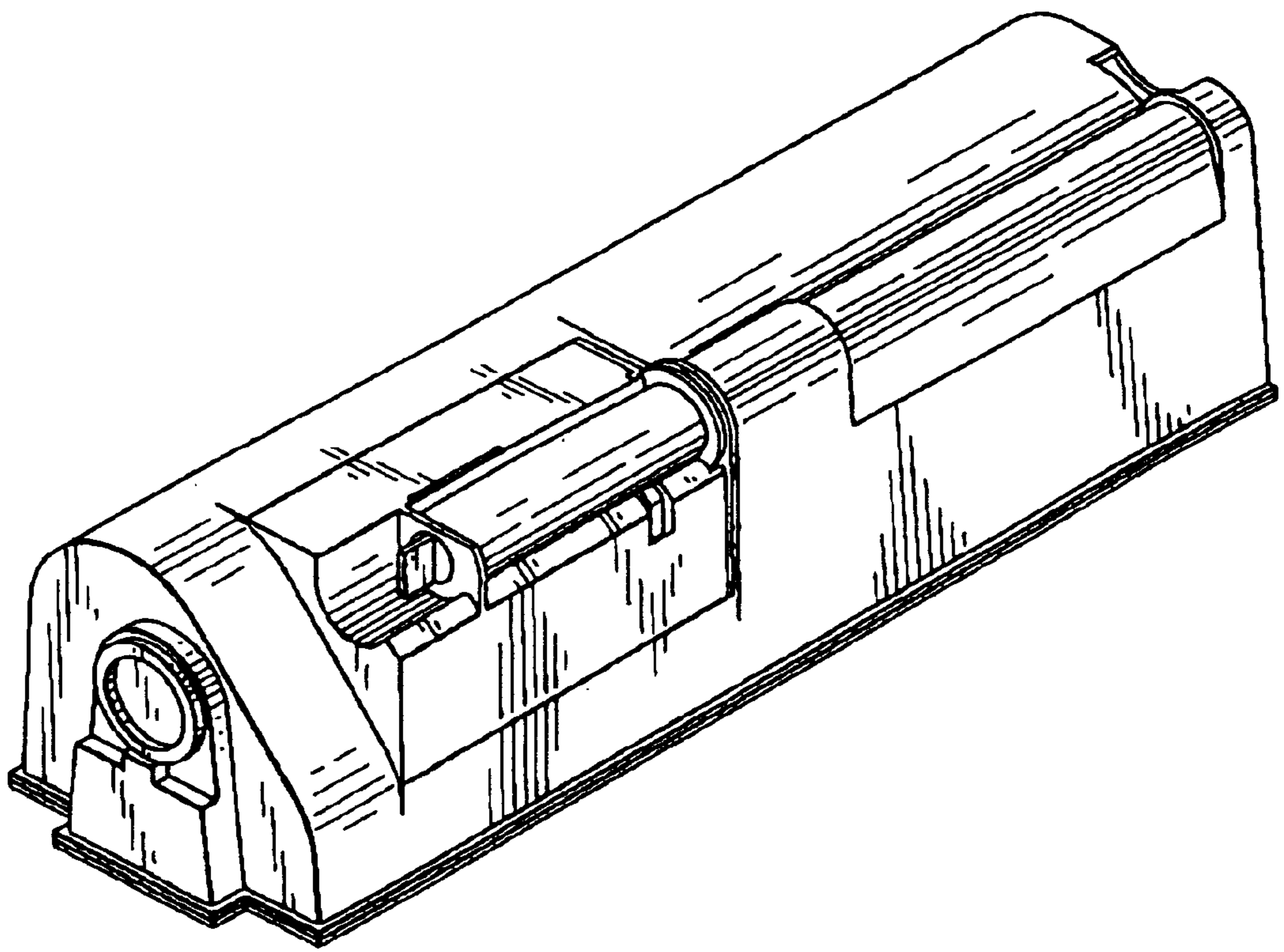


Fig.2

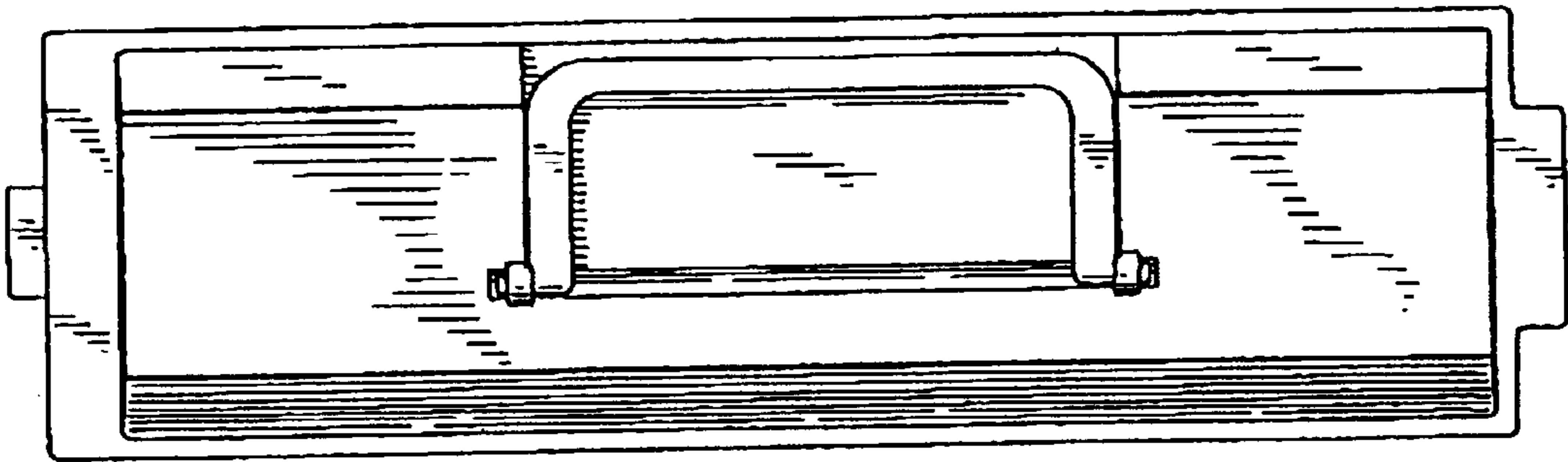


Fig.3

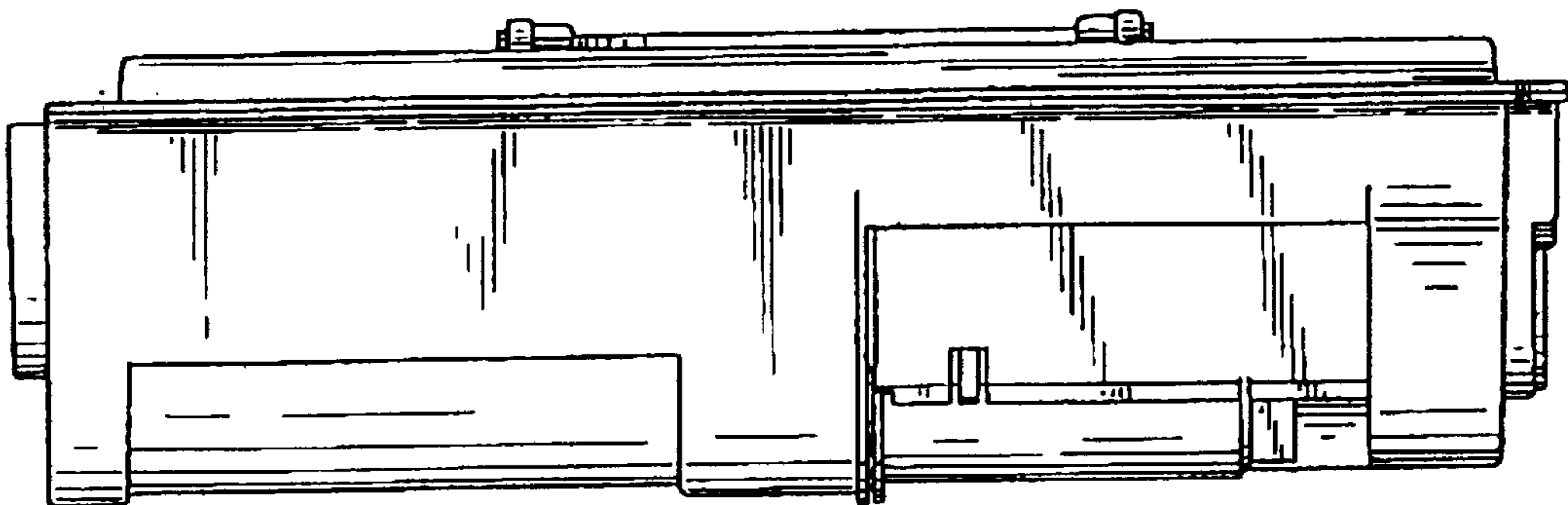


Fig.4

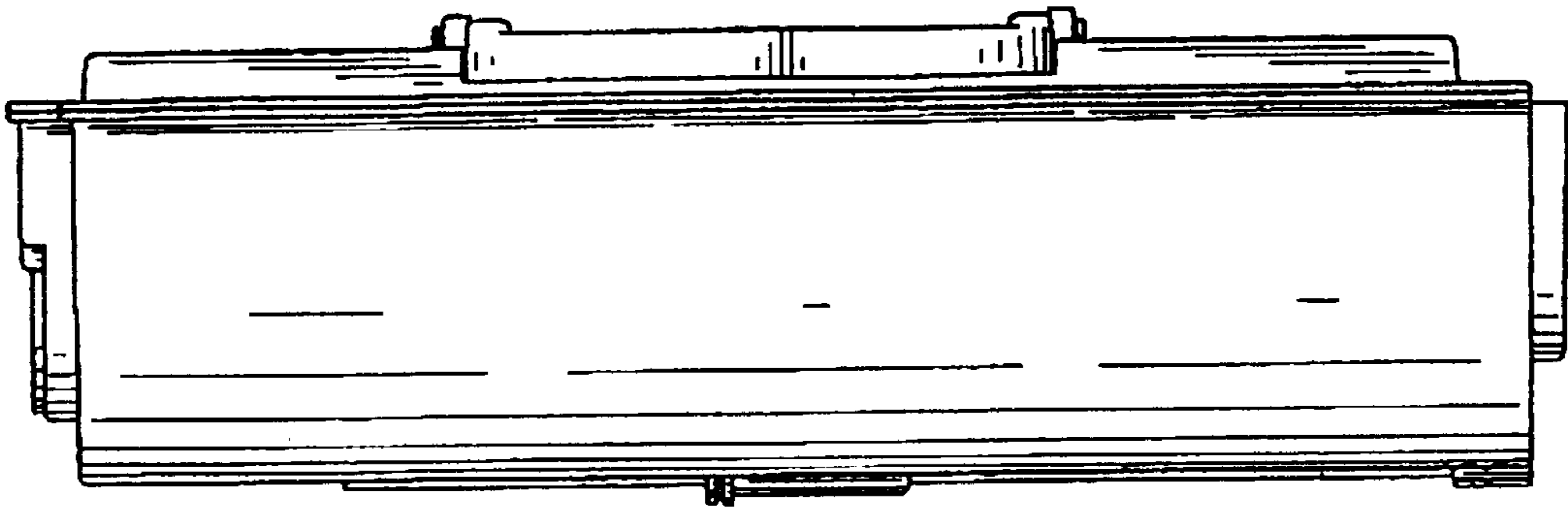


Fig.5

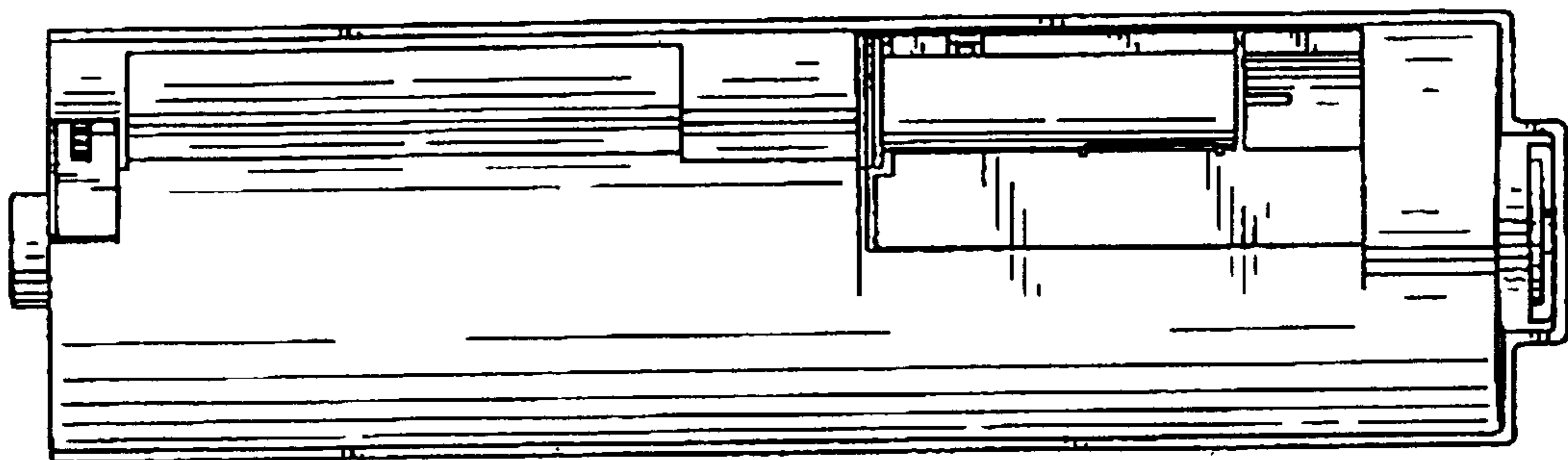


Fig.6

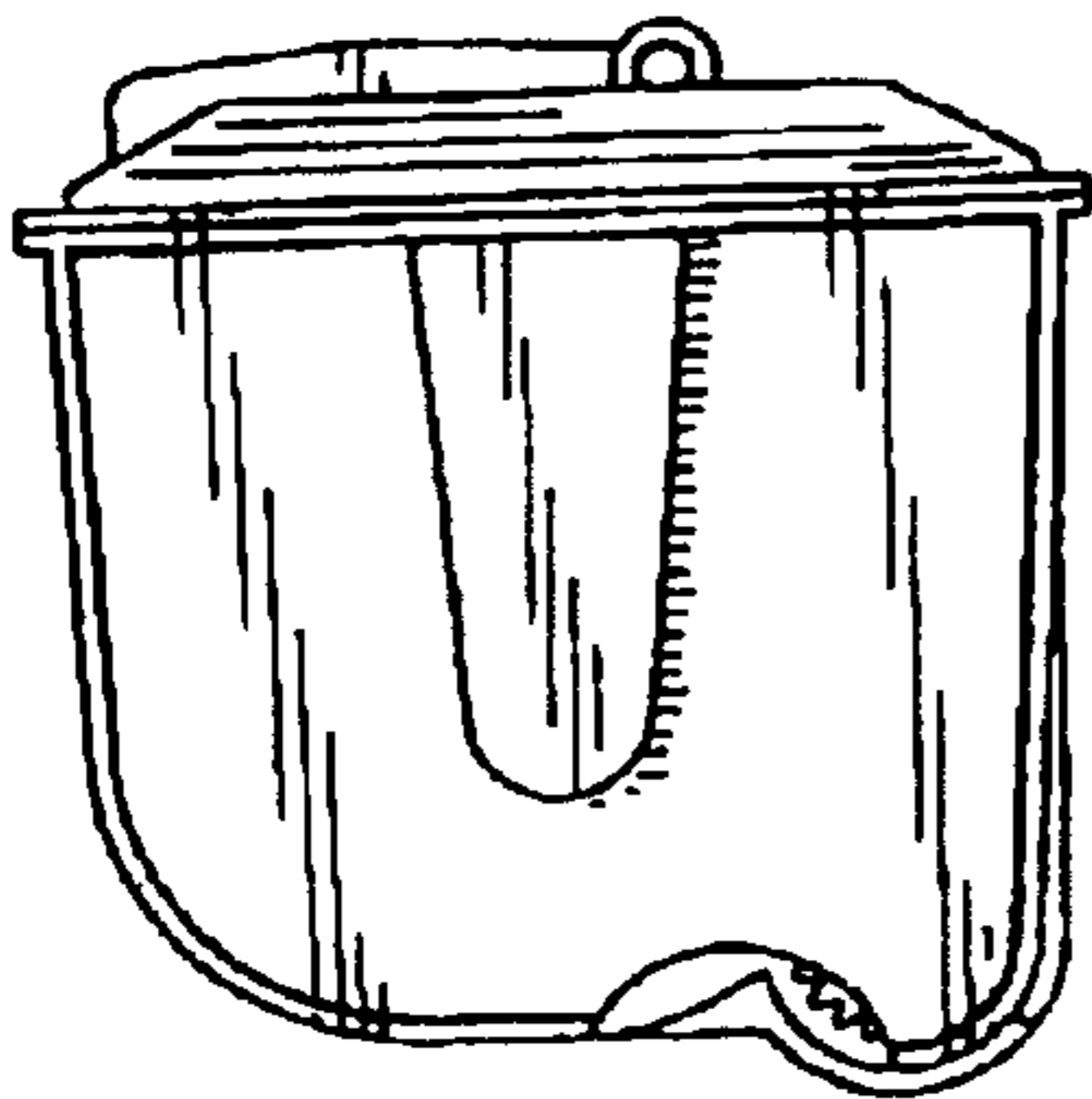


Fig.7

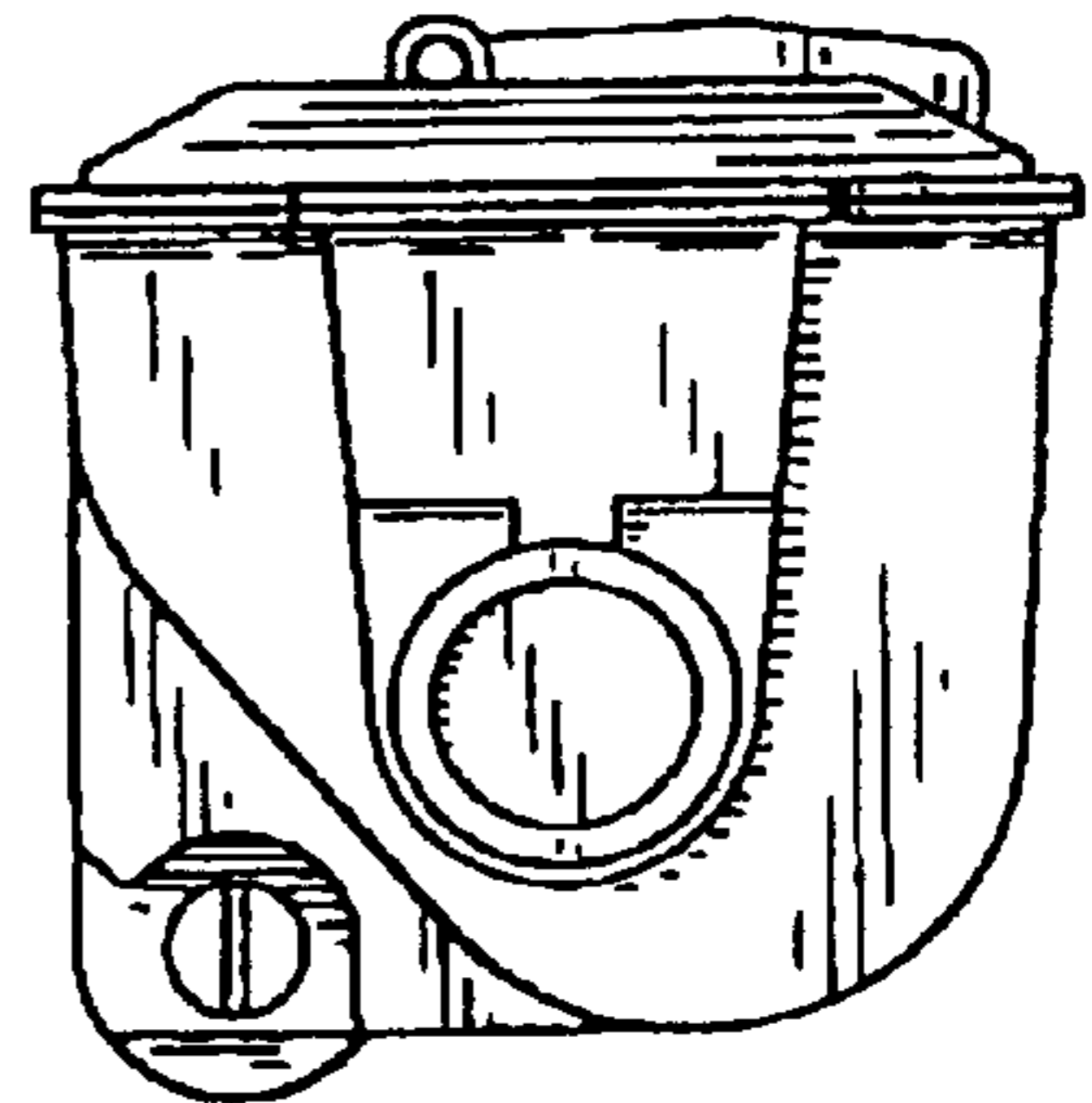


Fig.8

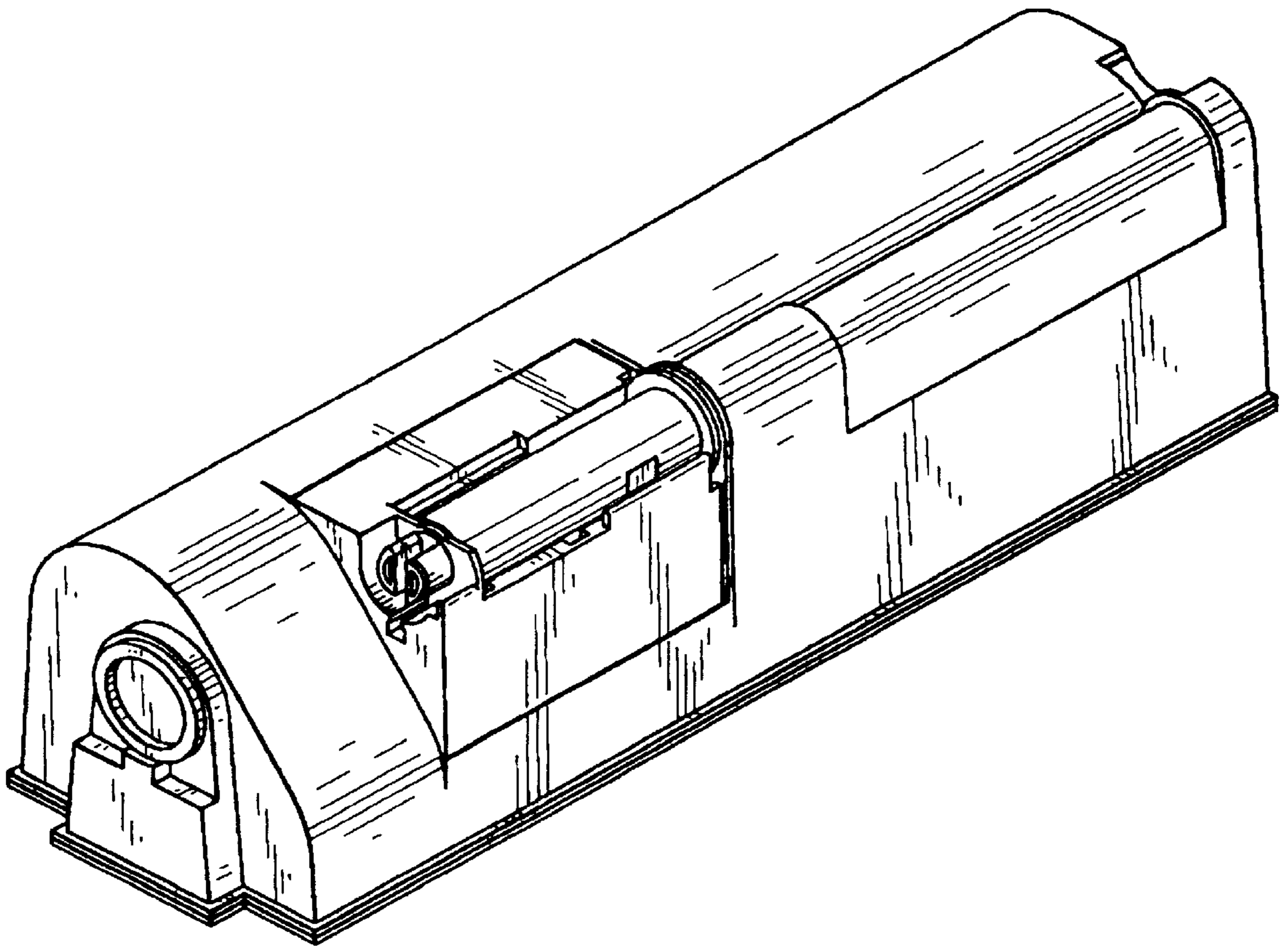


Fig. 9

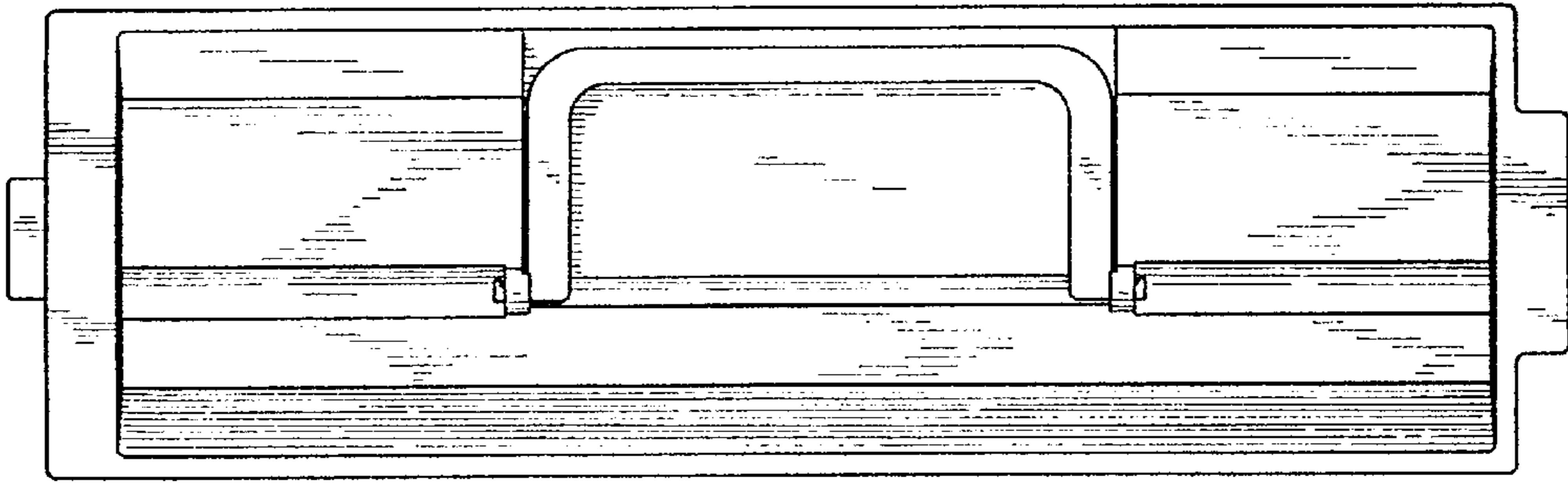


Fig. 10

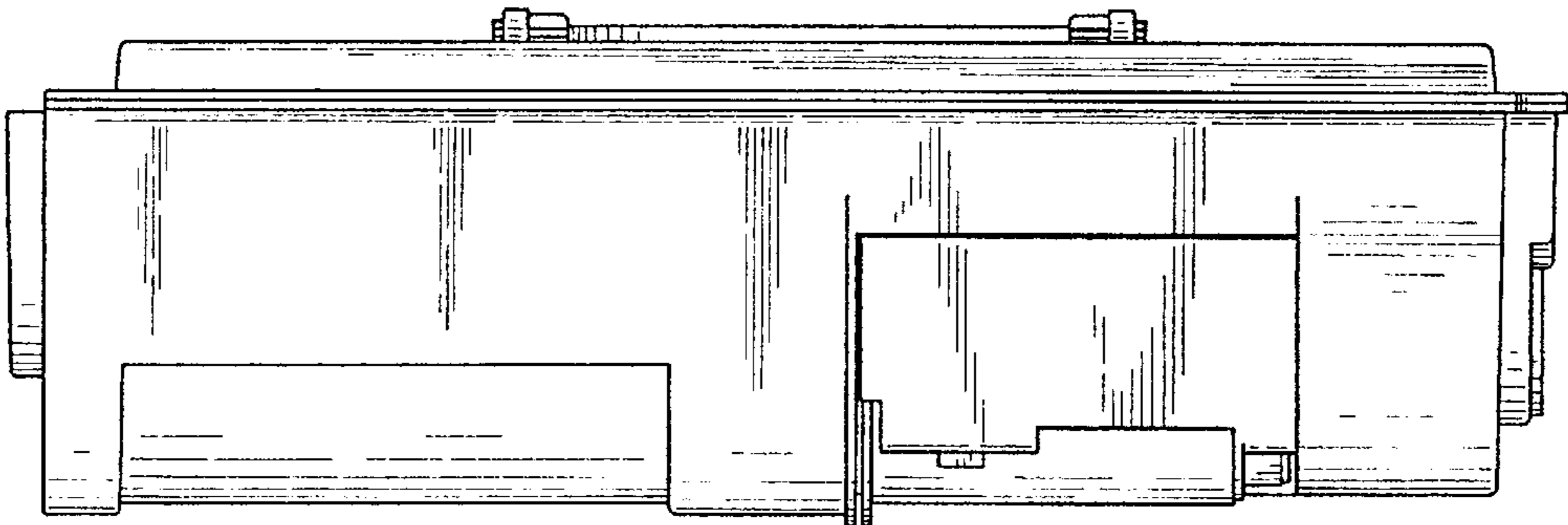


Fig. 11

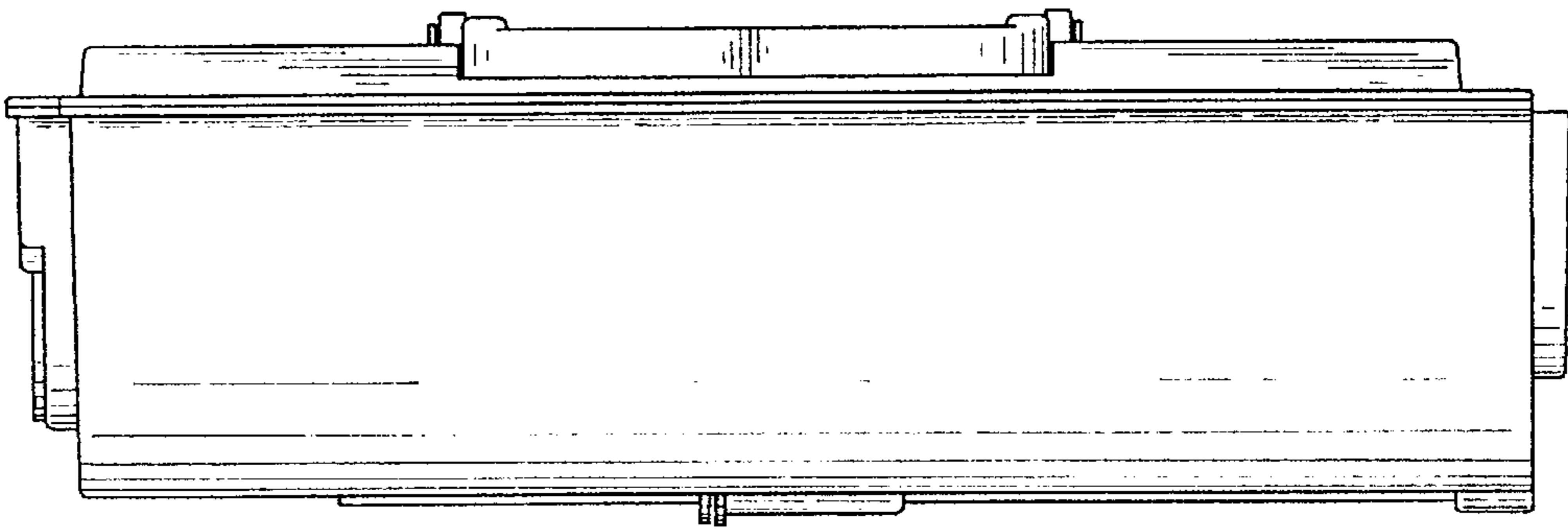


Fig. 12

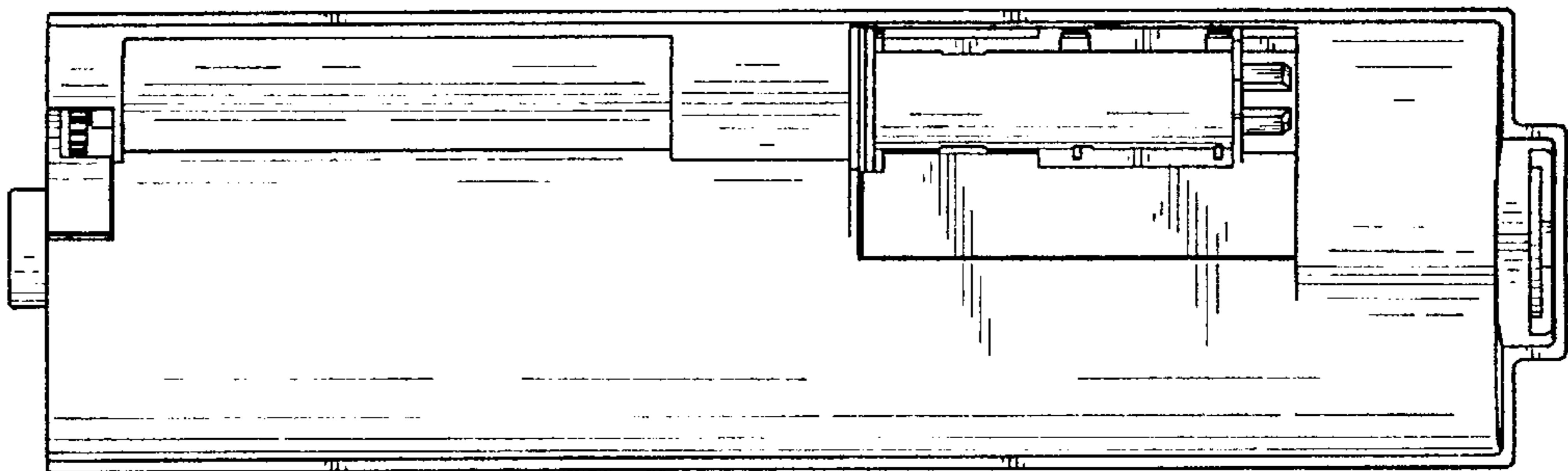


Fig. 13

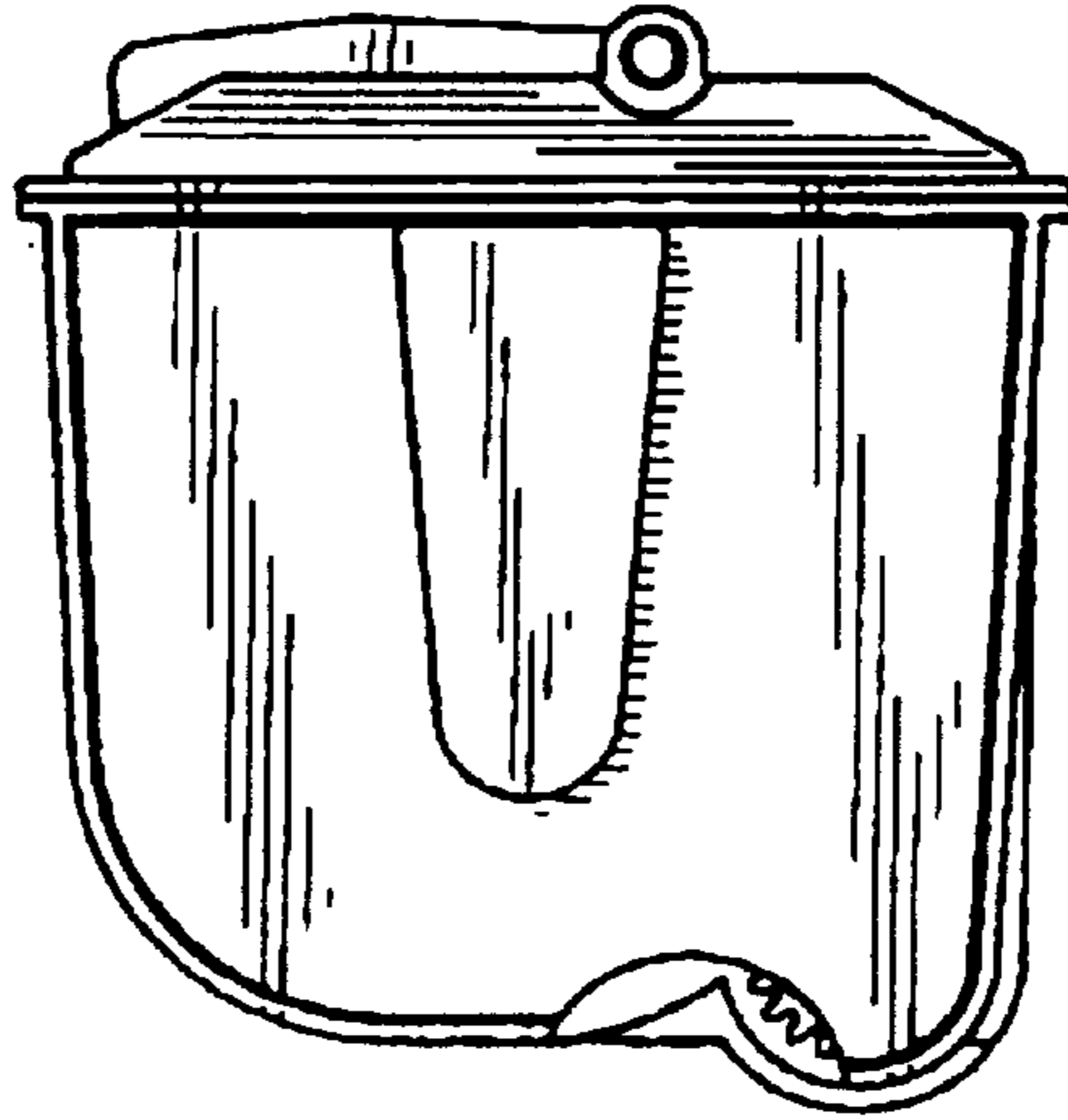


Fig. 14

