



US00D423558S

United States Patent [19]

Takimura

[11] Patent Number: Des. 423,558

[45] Date of Patent: ** Apr. 25, 2000

[54] ELECTROPHOTOGRAPHIC COPY MACHINE

D. 362,457 9/1995 Shimizu D18/39
D. 404,418 1/1999 Takeuchi D18/39

[75] Inventor: Ryo Takimura, Tokyo, Japan

Primary Examiner—Caron D. Veynar
Attorney, Agent, or Firm—Frishauf, Holtz, Goodman,
Langer & Chick, P.C.

[73] Assignee: Konica Corporation, Tokyo, Japan

[**] Term: 14 Years

[57] CLAIM

[21] Appl. No.: 29/106,031

The ornamental design for a electrophotographic copy machine, as shown.

[22] Filed: Jun. 7, 1999

DESCRIPTION

[30] Foreign Application Priority Data

Dec. 18, 1998 [JP] Japan 10-36725

FIG. 1 is a front elevational view of an electrophotographic copy machine showing my new design;

[51] LOC (6) Cl. 16-03

FIG. 2 is a left side elevational view thereof;

[52] U.S. Cl. D18/39

FIG. 3 is a right side elevational view thereof;

[58] Field of Search D18/36-39; 399/1, 399/16, 75, 130, 151, 310, 361, 365; 355/97

FIG. 4 is a rear elevational view thereof;

FIG. 5 is a top plan view thereof;

FIG. 6 is a bottom plan view thereof; and,

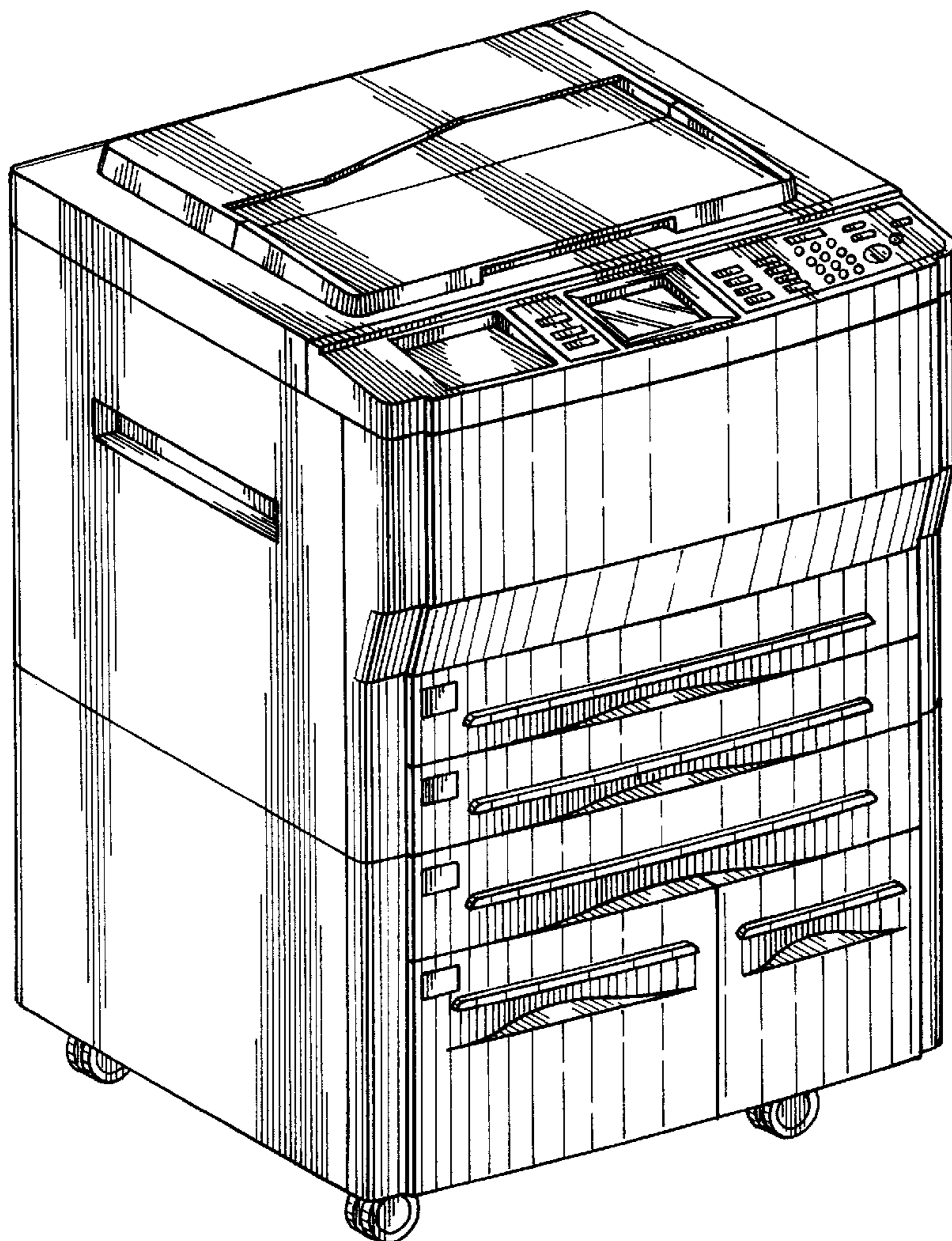
FIG. 7 is a front, left side, top perspective view thereof.

[56] References Cited

U.S. PATENT DOCUMENTS

D. 358,412 5/1995 Momose et al. D18/39

1 Claim, 4 Drawing Sheets



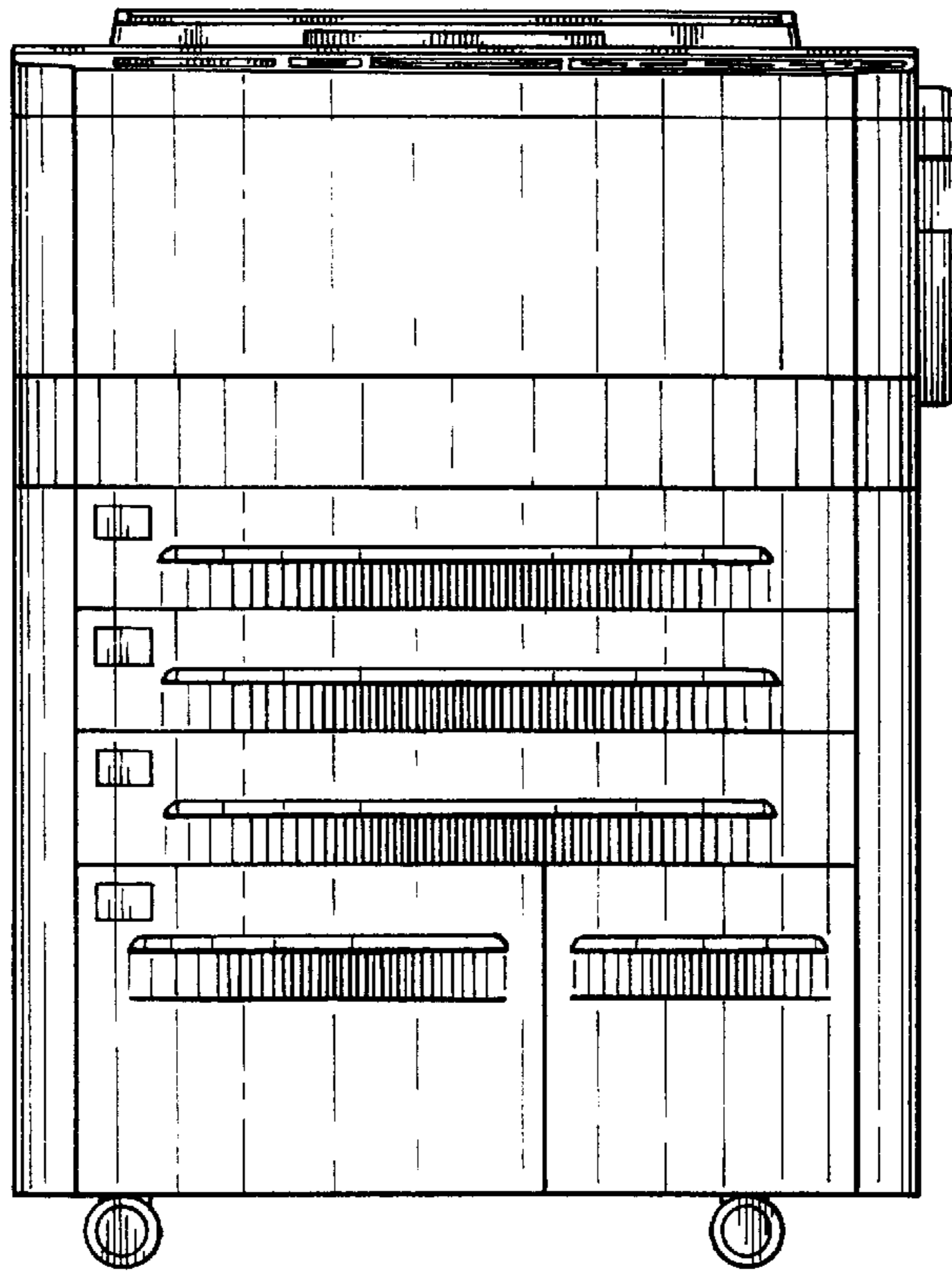


FIG. 1

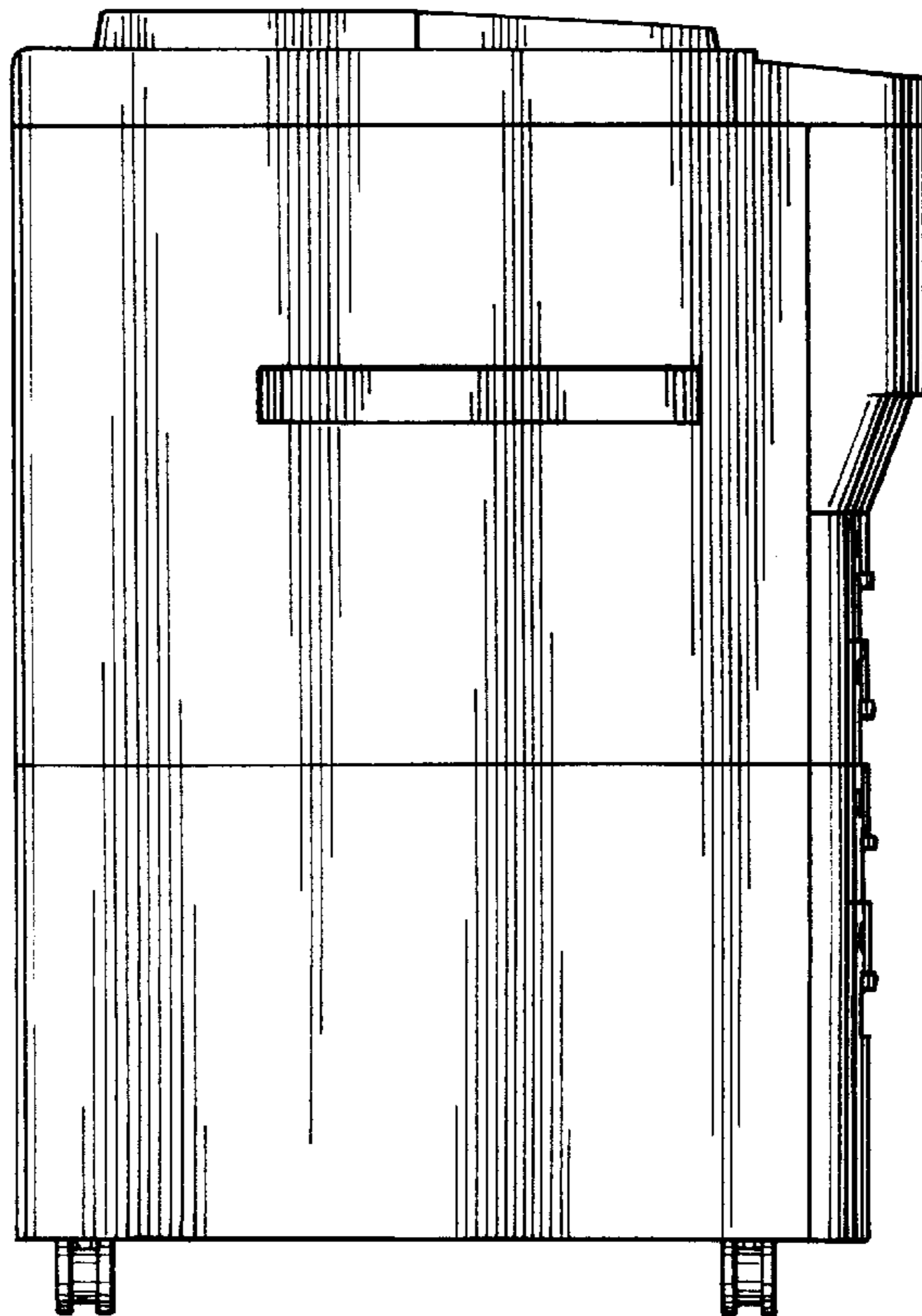


FIG. 2

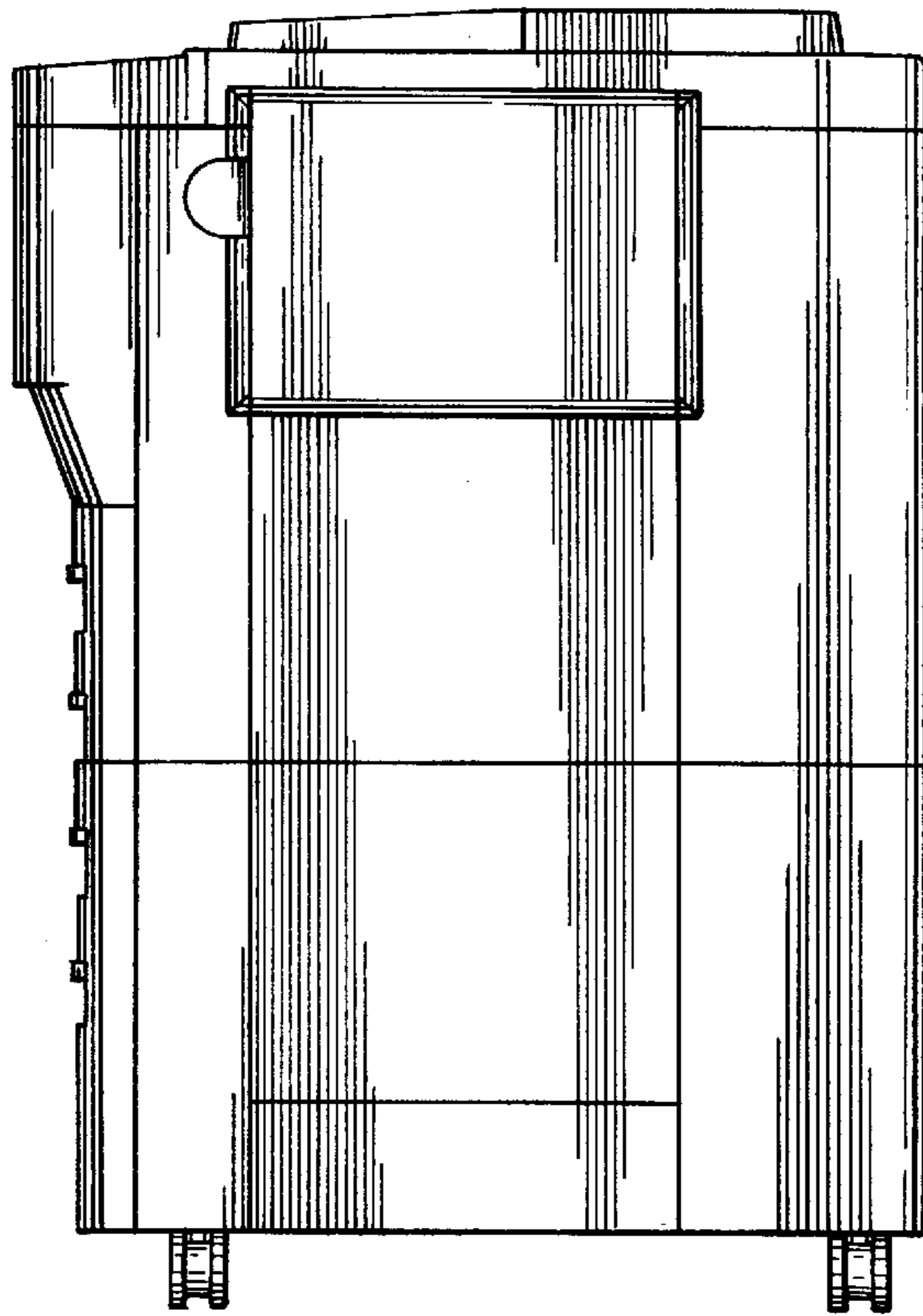


FIG. 3

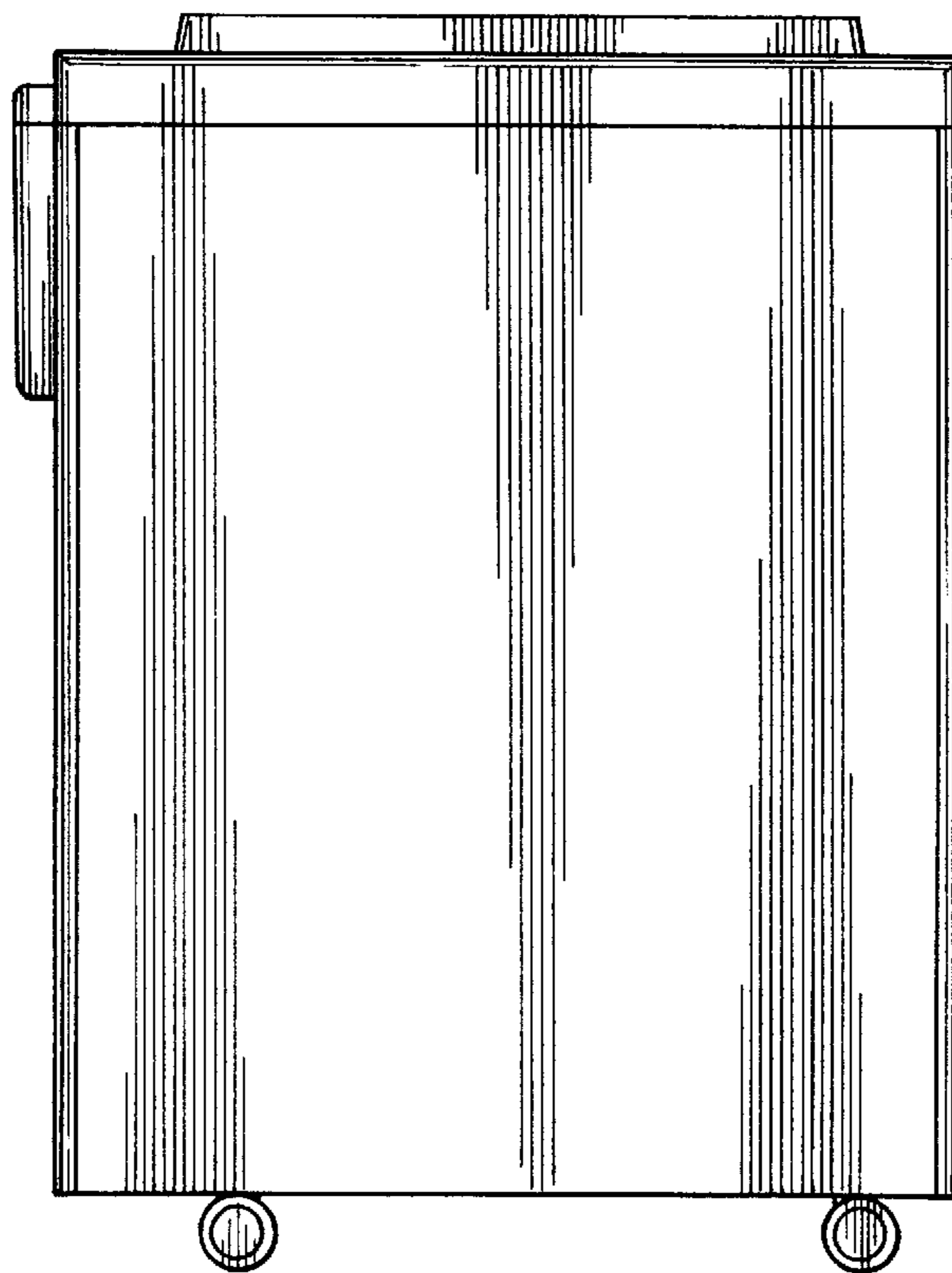


FIG. 4

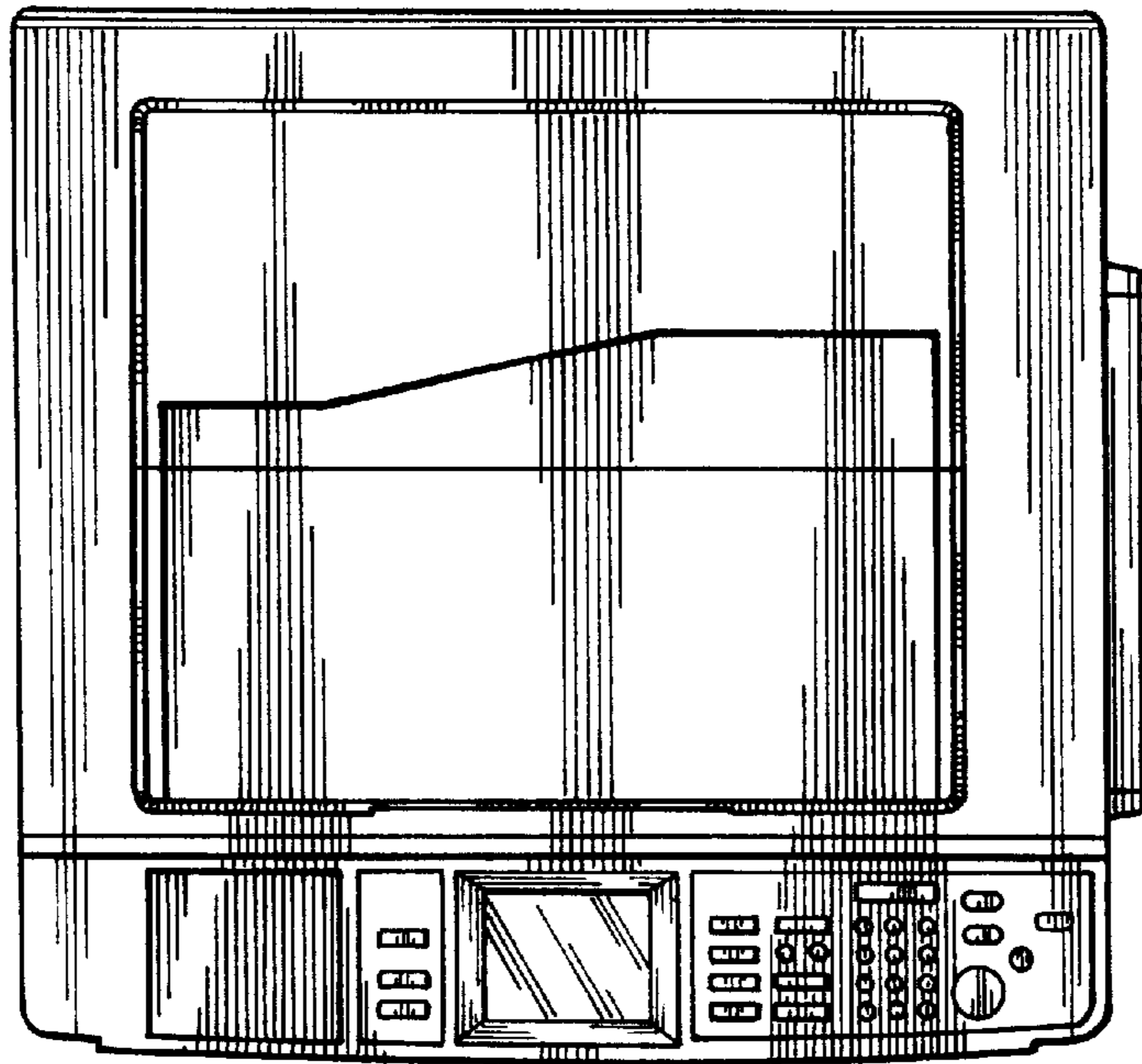


FIG. 5

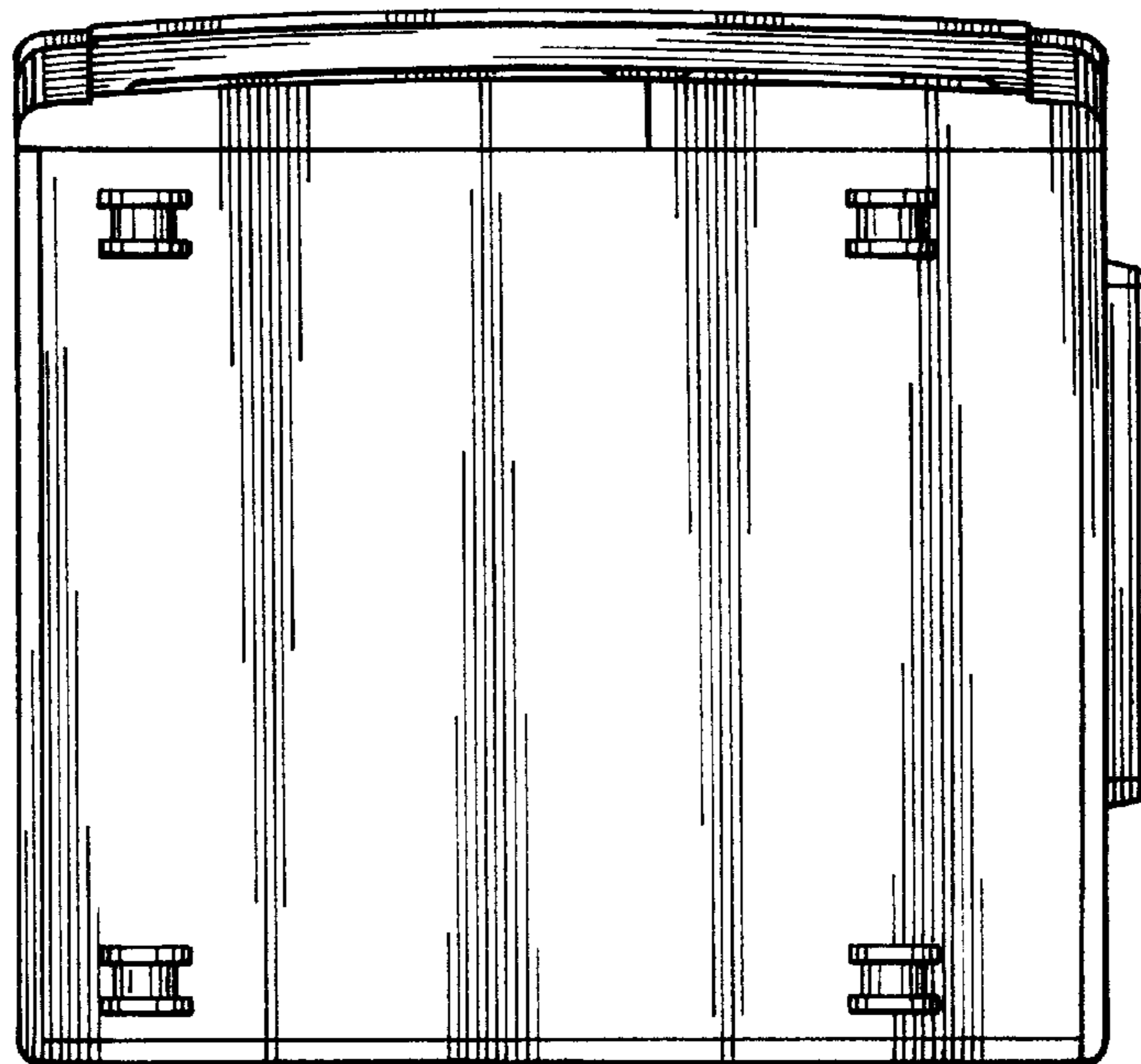


FIG. 6

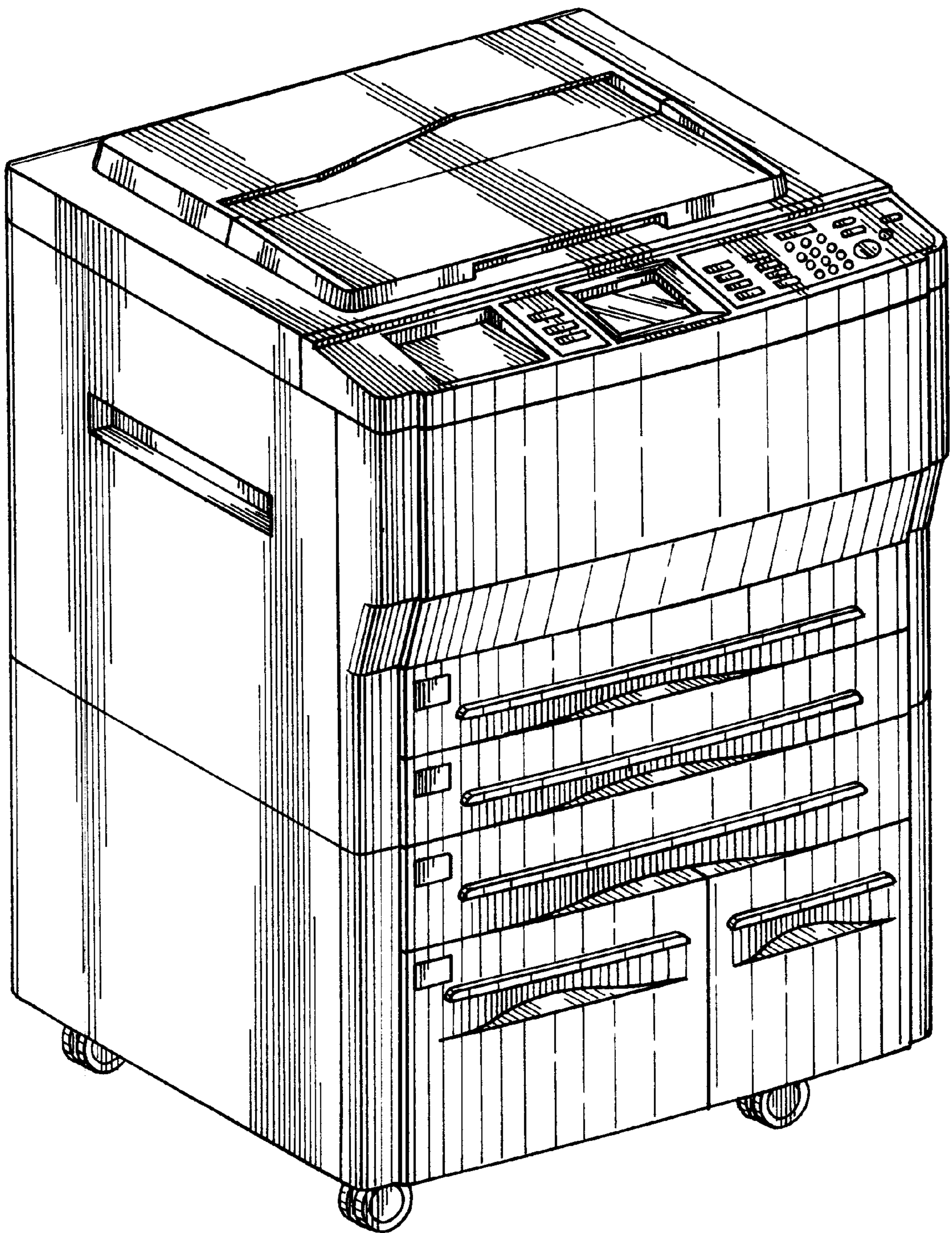


FIG. 7