



US00D423551S

United States Patent [19] Lamy

[11] **Patent Number: Des. 423,551**

[45] **Date of Patent: ** Apr. 25, 2000**

[54] **EYEGLASSES**

[75] Inventor: **Marc Lamy**, Morez, France

[73] Assignee: **L'Amey S.A.**, Morez, France

[**] Term: **14 Years**

[21] Appl. No.: **29/109,623**

[22] Filed: **Aug. 18, 1999**

[30] **Foreign Application Priority Data**

Mar. 1, 1999 [XH] Hague Agreement DM/046978

[51] **LOC (6) Cl.** **16-06**

[52] **U.S. Cl.** **D16/326; D16/319**

[58] **Field of Search** D16/101, 300-330,
D16/335, 337; D29/109, 110; 351/41, 44,
51, 52, 111, 113-114; 2/447-449

[56] **References Cited**

U.S. PATENT DOCUMENTS

- D. 355,922 2/1995 Hirschman D16/335
- D. 382,892 8/1997 Murai D16/321
- D. 392,306 3/1998 Arnette D16/326

- D. 413,138 8/1999 Flanagan D16/321
- 3,052,160 9/1962 Ratti D16/335
- 3,402,005 9/1968 Liautaud et al. D16/300
- 4,781,450 11/1988 Danloup et al. 351/114

OTHER PUBLICATIONS

New York Times, p. A3, Jul. 11, 1996.

Primary Examiner—Raphael Barkai
Attorney, Agent, or Firm—Bugnion S.A.; John Moetteli

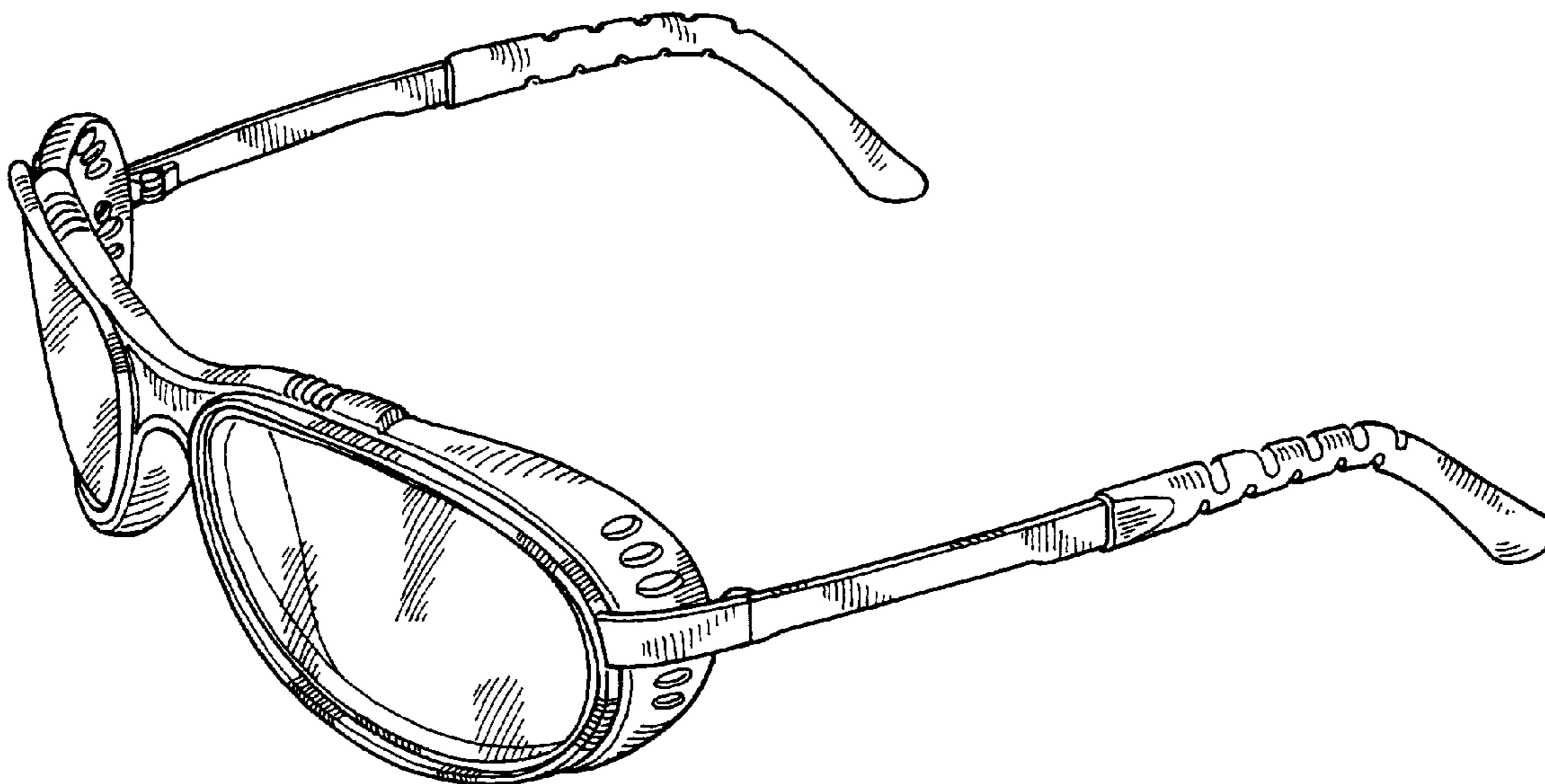
[57] **CLAIM**

The ornamental design for eyeglasses, as shown.

DESCRIPTION

FIG. 1 is a perspective view of the eyeglasses showing my new design;
FIG. 2 is a left side view thereof;
FIG. 3 is a right side view thereof;
FIG. 4 is a top plan view thereof;
FIG. 5 is a bottom plan view thereof;
FIG. 6 is a front side view thereof; and,
FIG. 7 is a rear side view thereof.

1 Claim, 3 Drawing Sheets



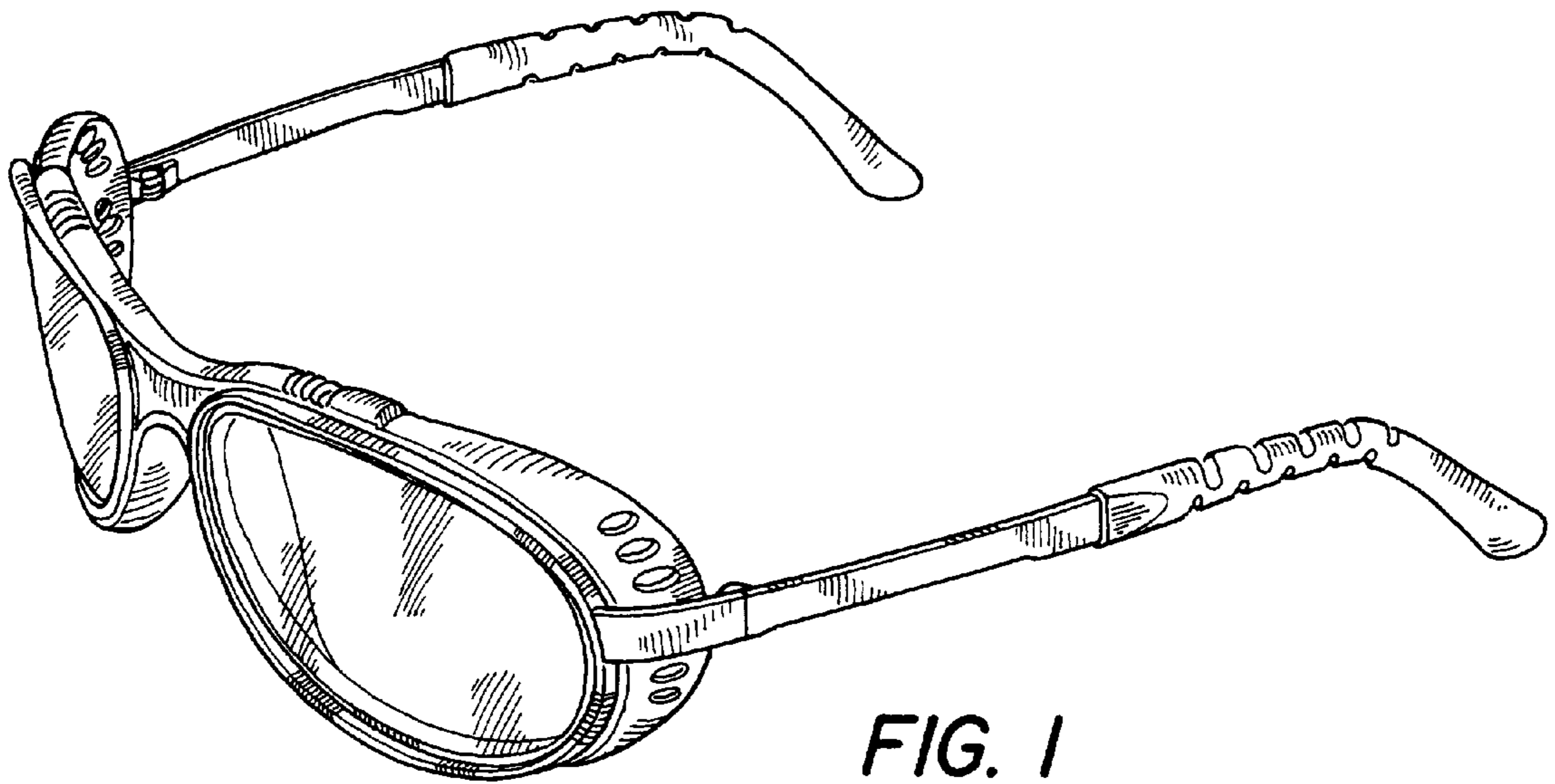


FIG. 1

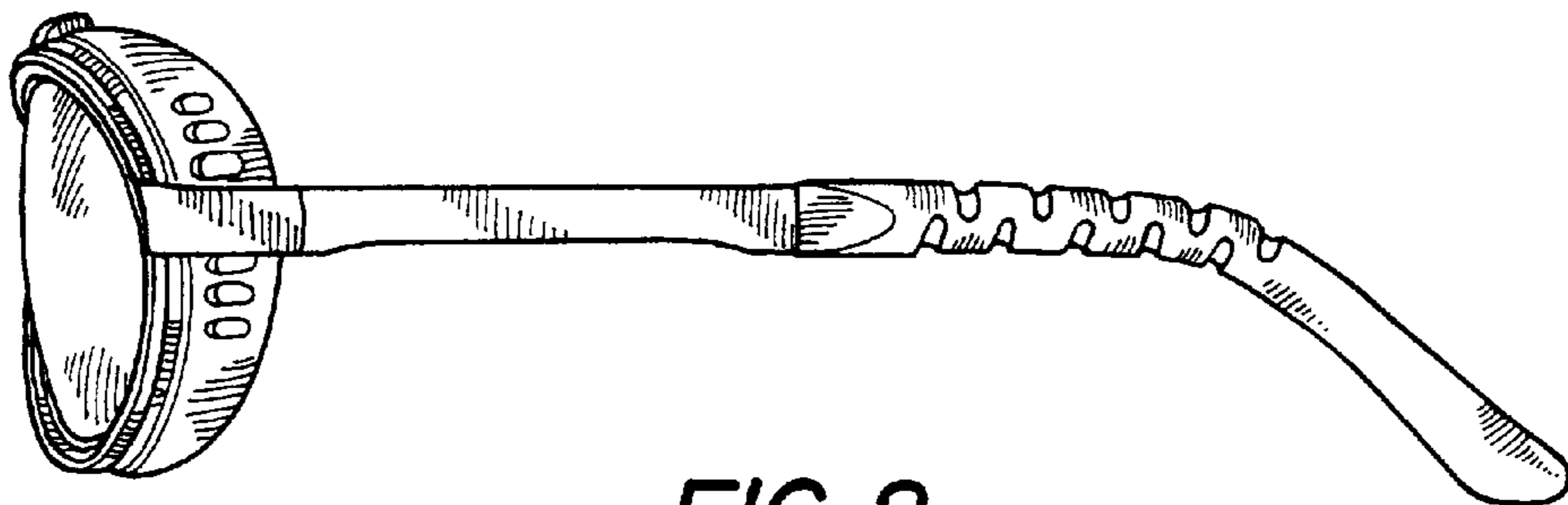


FIG. 2

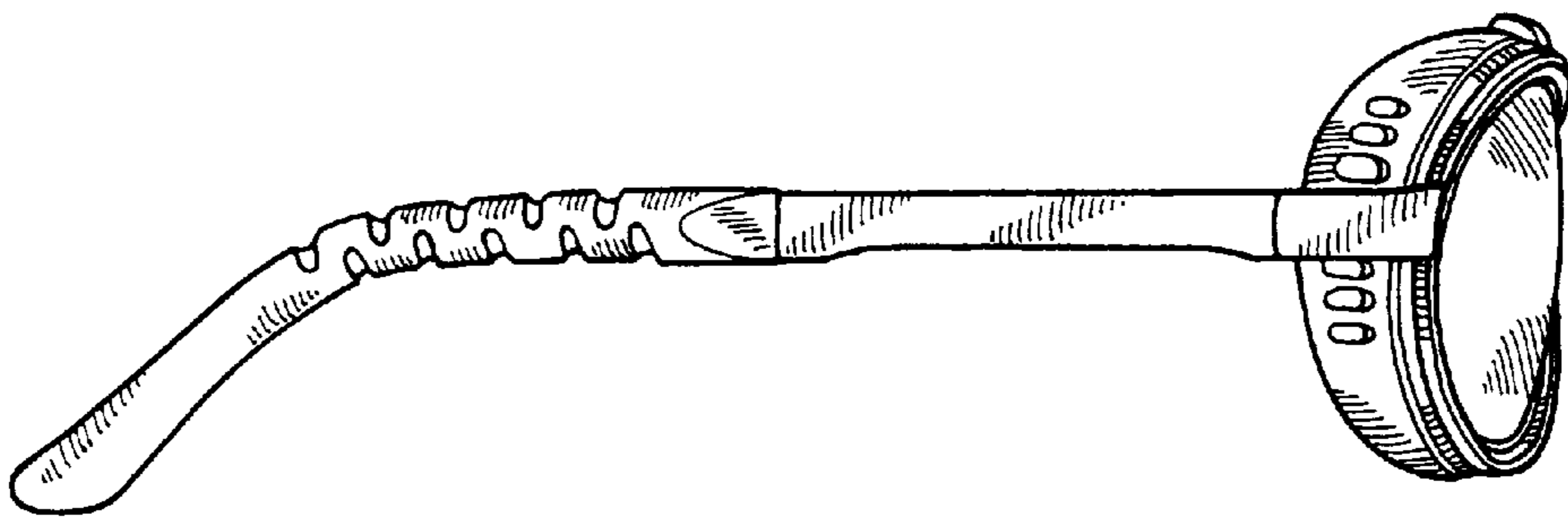


FIG. 3

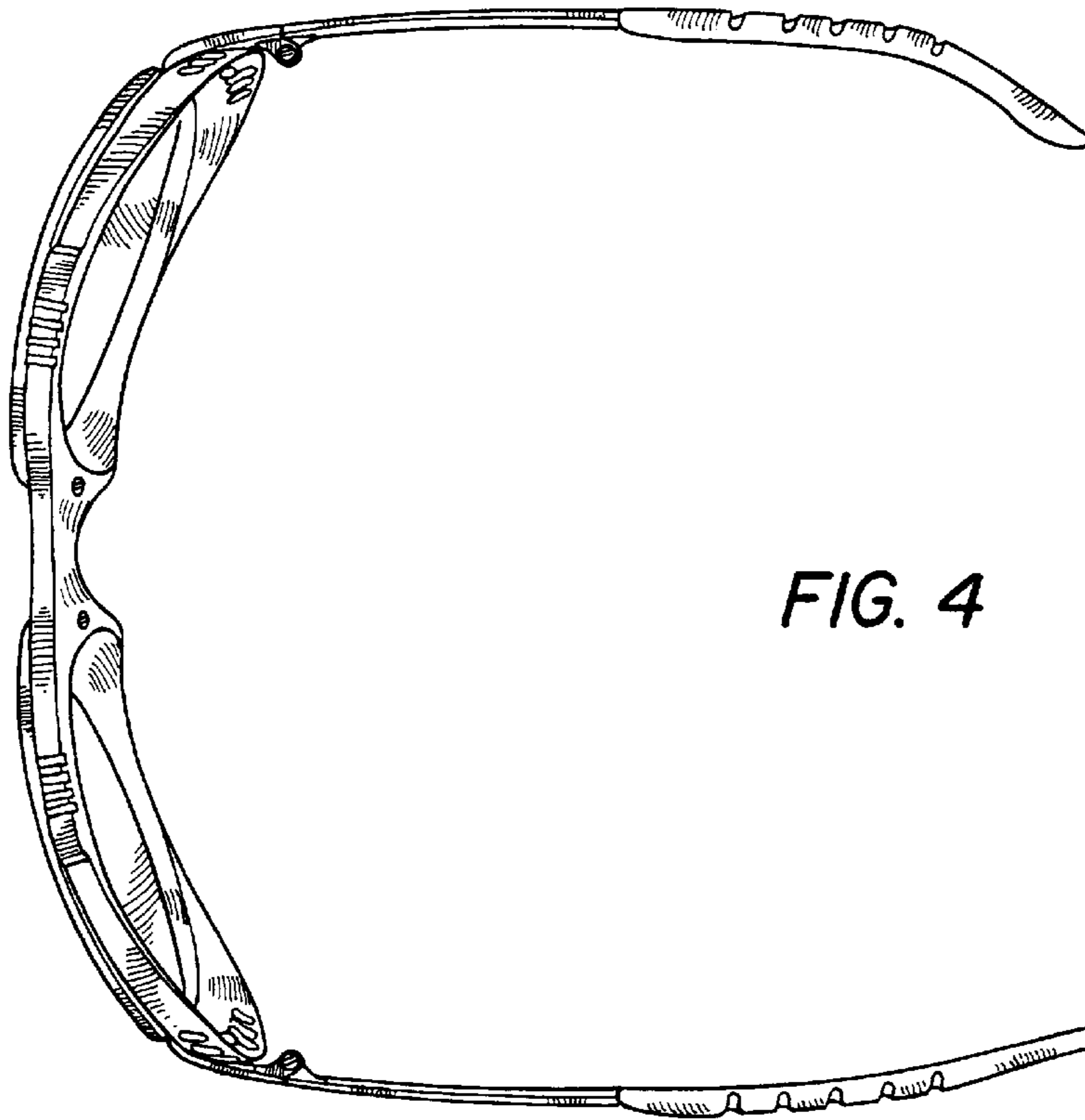


FIG. 4

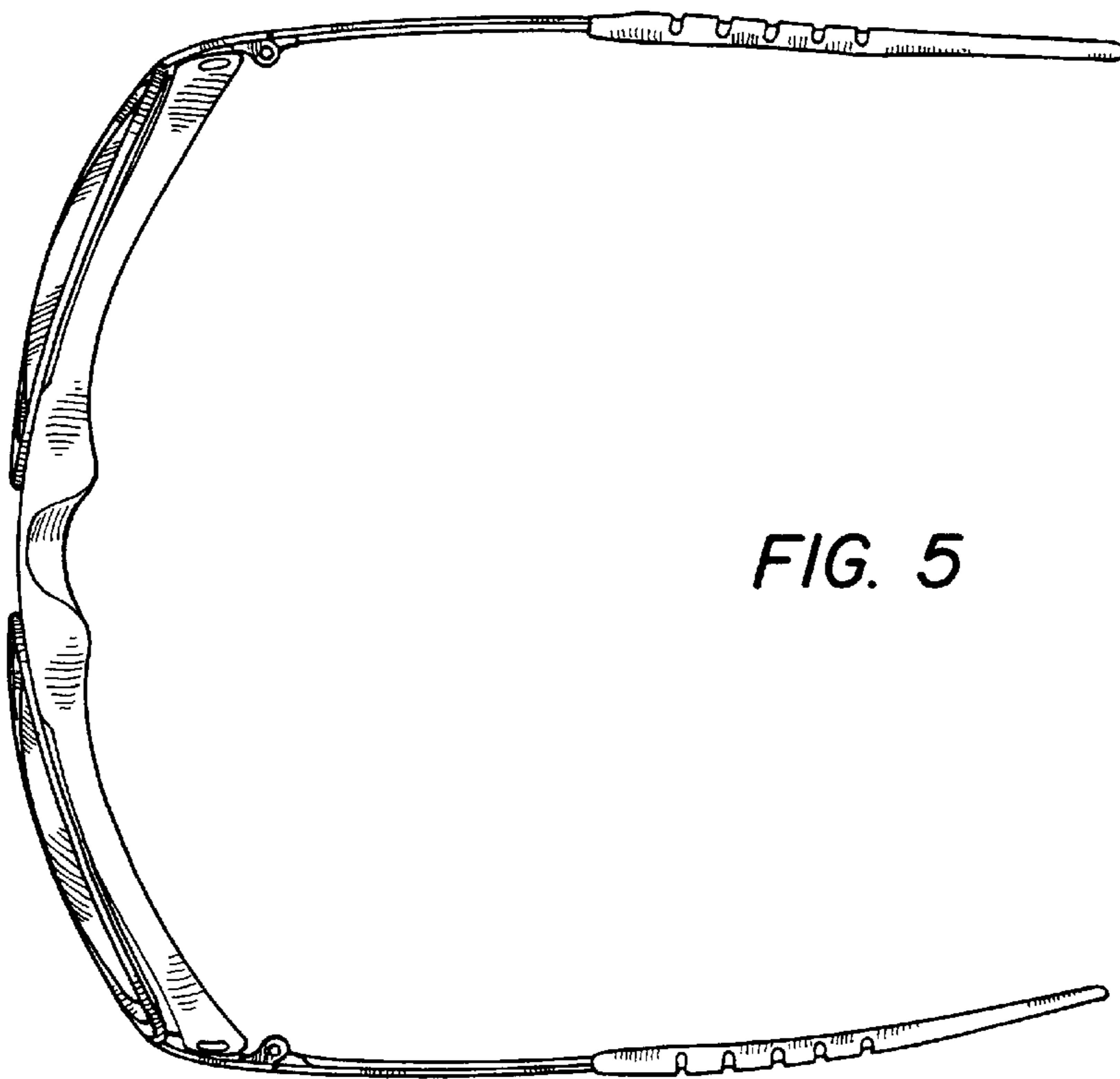


FIG. 5

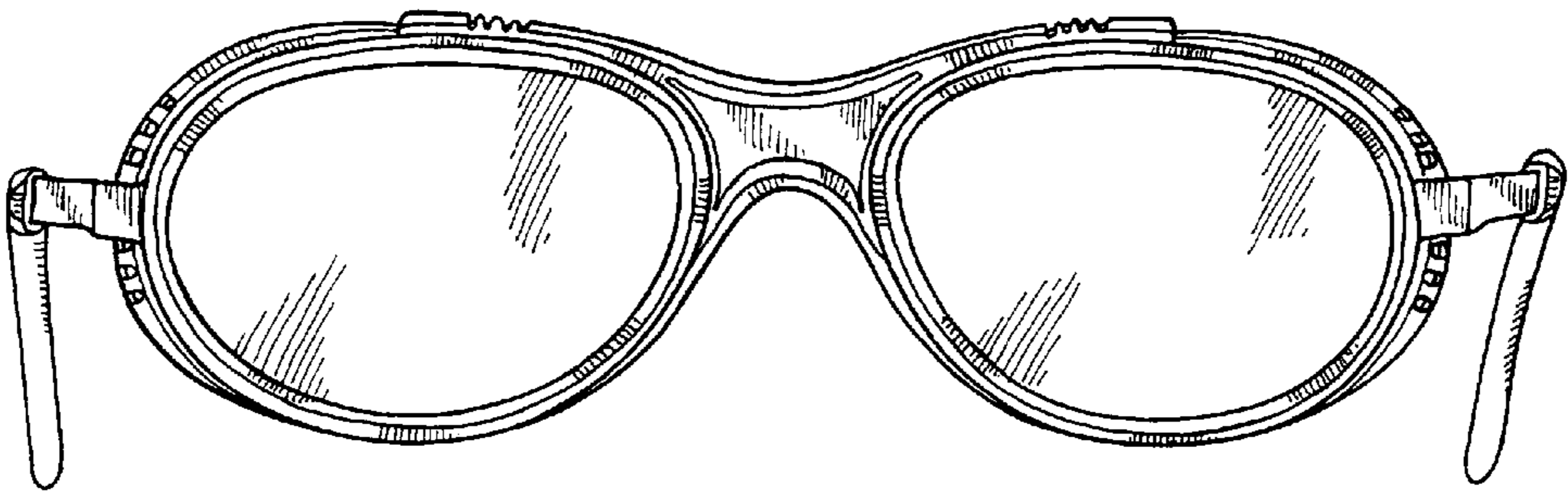


FIG. 6

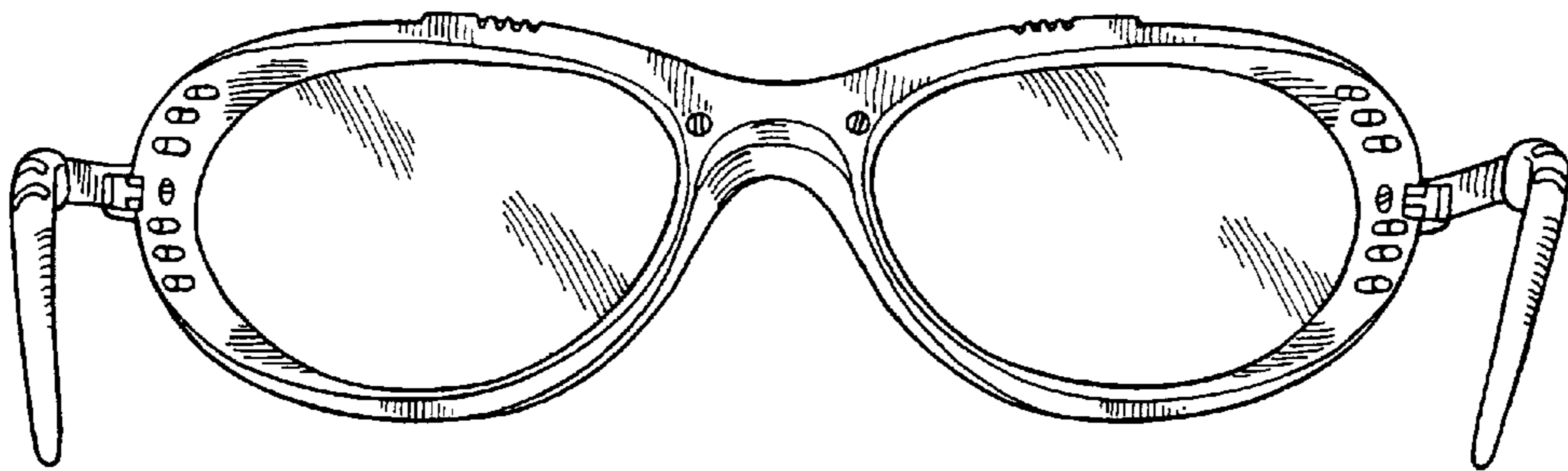


FIG. 7