



US00D423542S

United States Patent [19]

Solomon et al.

[11] Patent Number: Des. 423,542

[45] Date of Patent: ** Apr. 25, 2000

[54] FLASH CAMERA

[75] Inventors: Jeffrey A. Solomon, Spencerport; Anna C. Schelling, Rochester, both of N.Y.

[73] Assignee: Eastman Kodak Company, Rochester, N.Y.

[**] Term: 14 Years

[21] Appl. No.: 29/104,397

[22] Filed: May 4, 1999

[51] LOC (6) Cl. 16-01

[52] U.S. Cl. D16/209; D16/218

[58] Field of Search D16/200-205, D16/208, 209, 212, 213, 216-218; 396/535-543

[56] **References Cited**

U.S. PATENT DOCUMENTS

- D. 388,105 12/1997 Yamamoto D16/202
- D. 399,227 10/1998 Chapman et al. D16/209
- D. 399,229 10/1998 Solomon et al. D16/209

- D. 404,049 1/1999 Solomon et al. D16/209
- D. 405,814 2/1999 Solomon et al. D16/209
- 5,640,641 6/1997 Balling 396/535

Primary Examiner—Adir Aronovich
Attorney, Agent, or Firm—Roger A. Fields

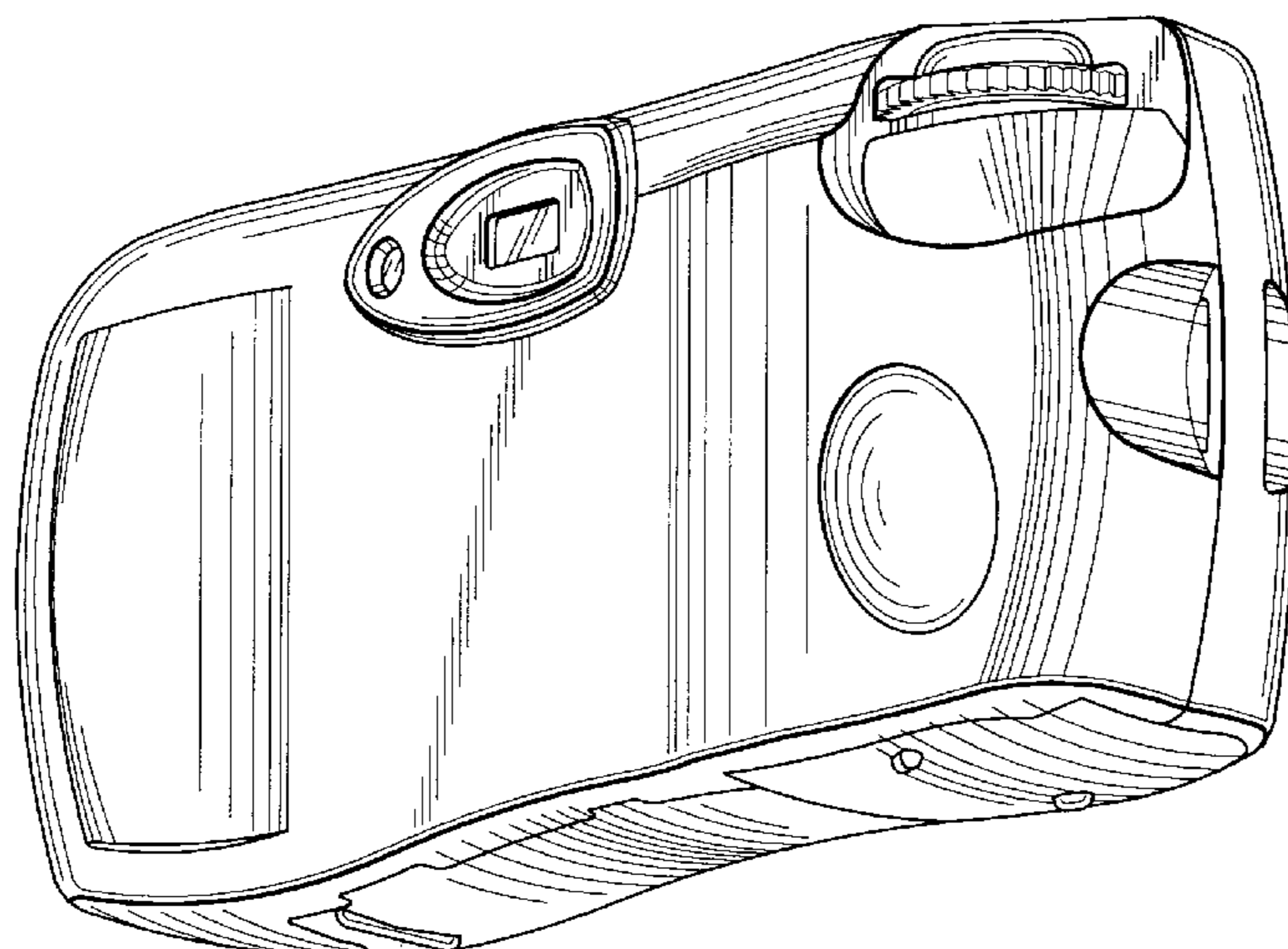
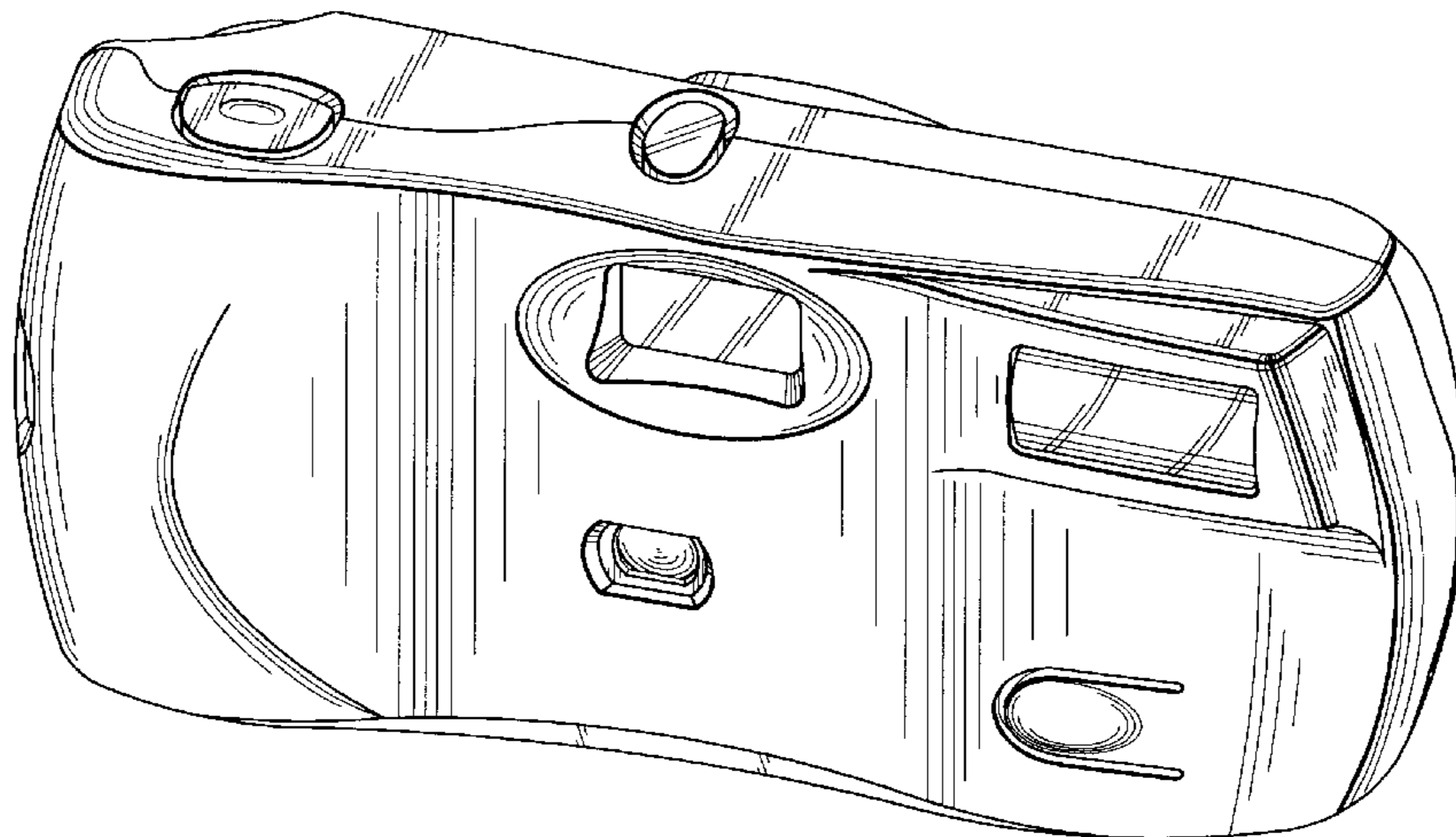
[57] **CLAIM**

The ornamental design for a flash camera, as shown and described.

DESCRIPTION

FIG. 1 is a front, top, right-side perspective view of a flash camera showing our new design;
 FIG. 2 is a rear, bottom, left-side perspective view thereof;
 FIG. 3 is a front elevation view thereof;
 FIG. 4 is a rear elevation view thereof;
 FIG. 5 is a top plan view thereof;
 FIG. 6 is a bottom plan view thereof;
 FIG. 7 is a right-side elevation view thereof; and,
 FIG. 8 is a left-side elevation view thereof.

1 Claim, 8 Drawing Sheets



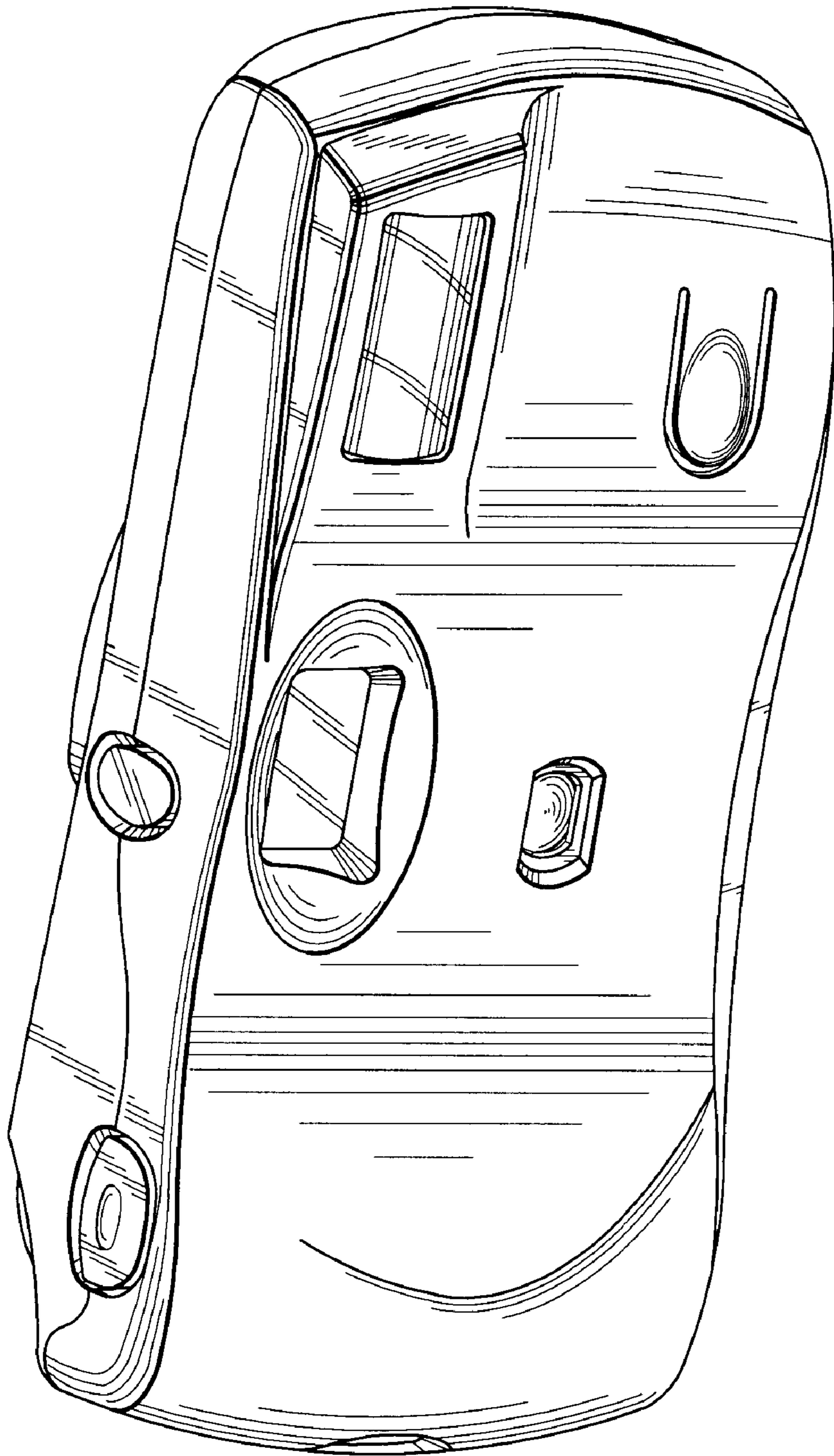


FIG. 1

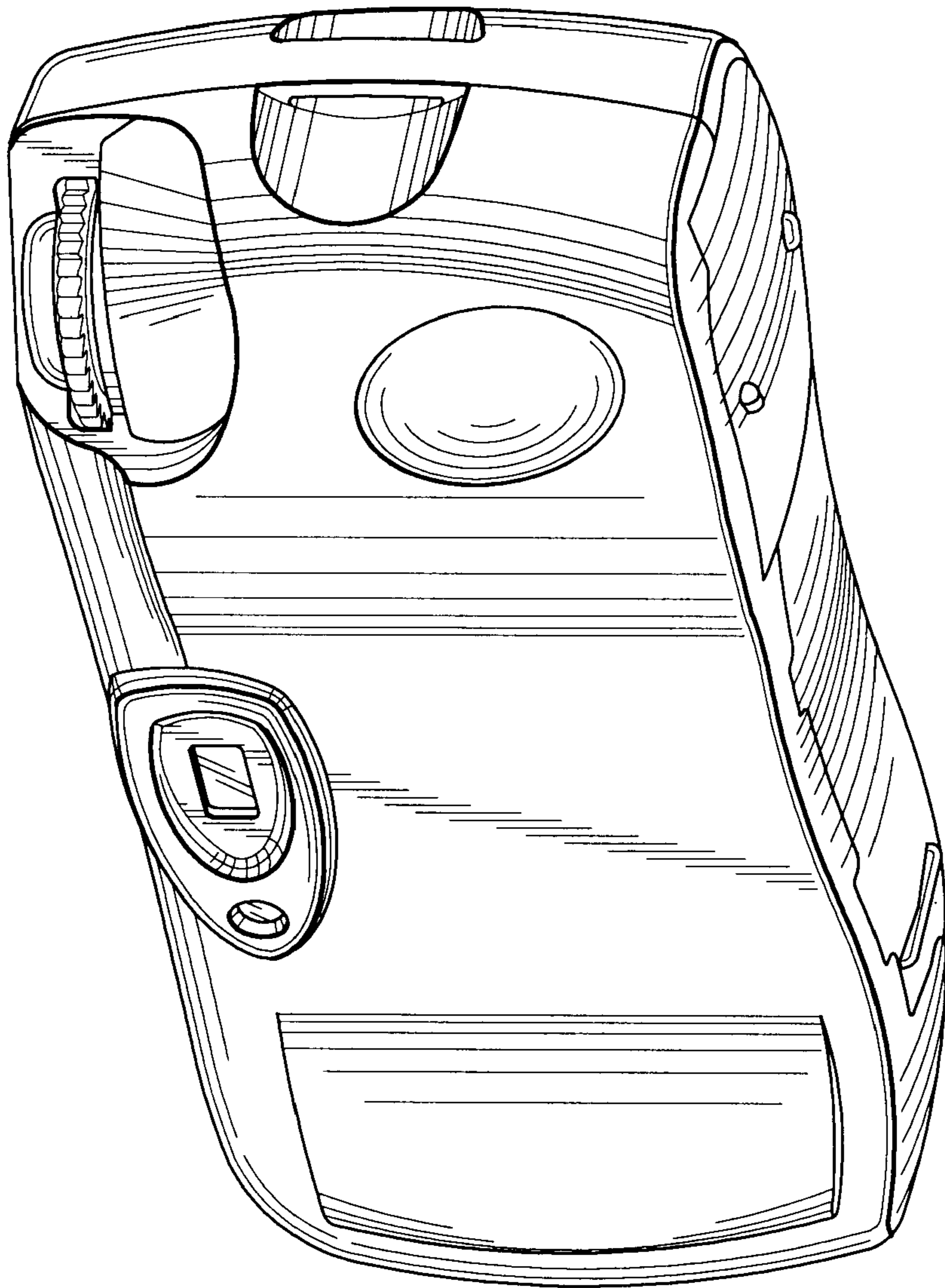


FIG. 2

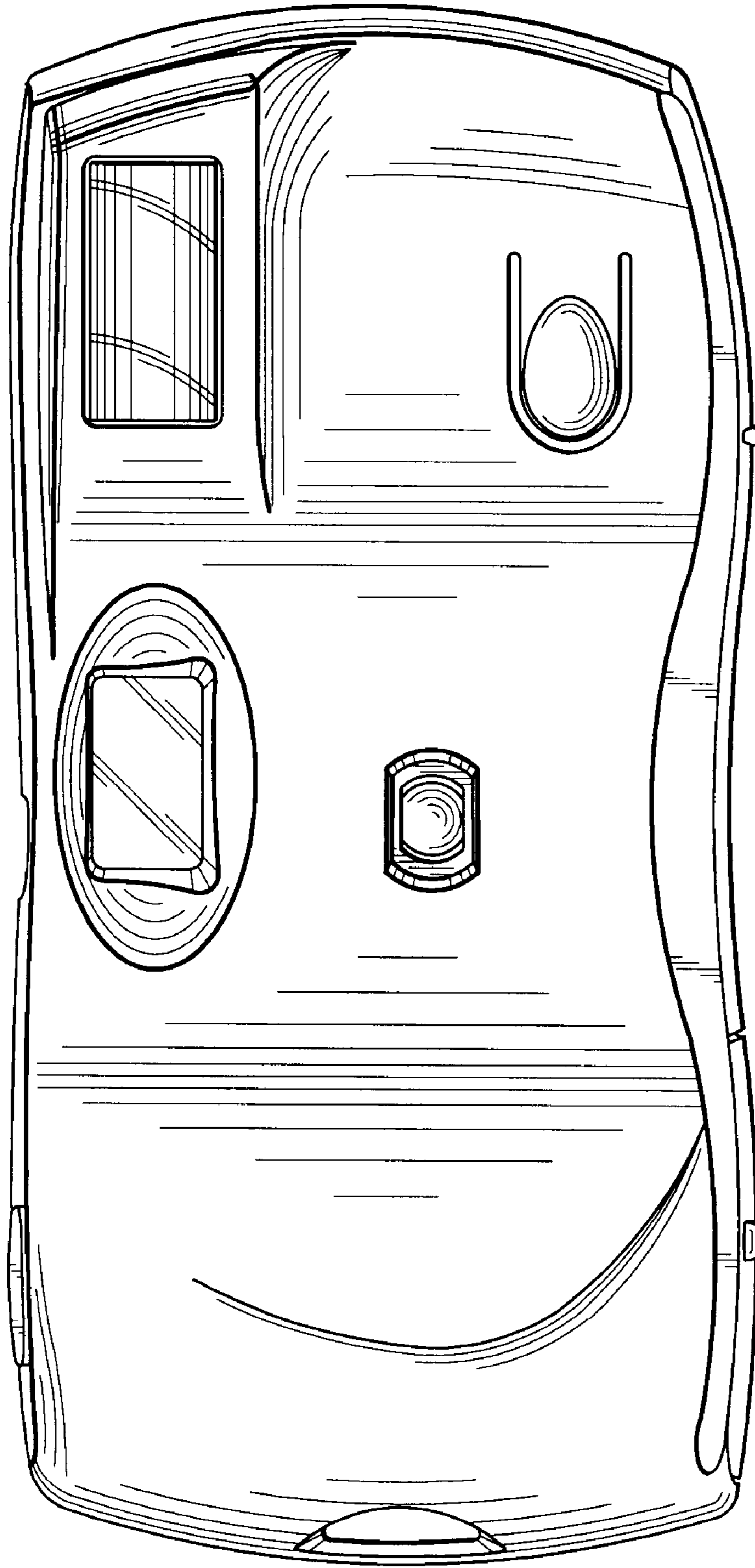


FIG. 3

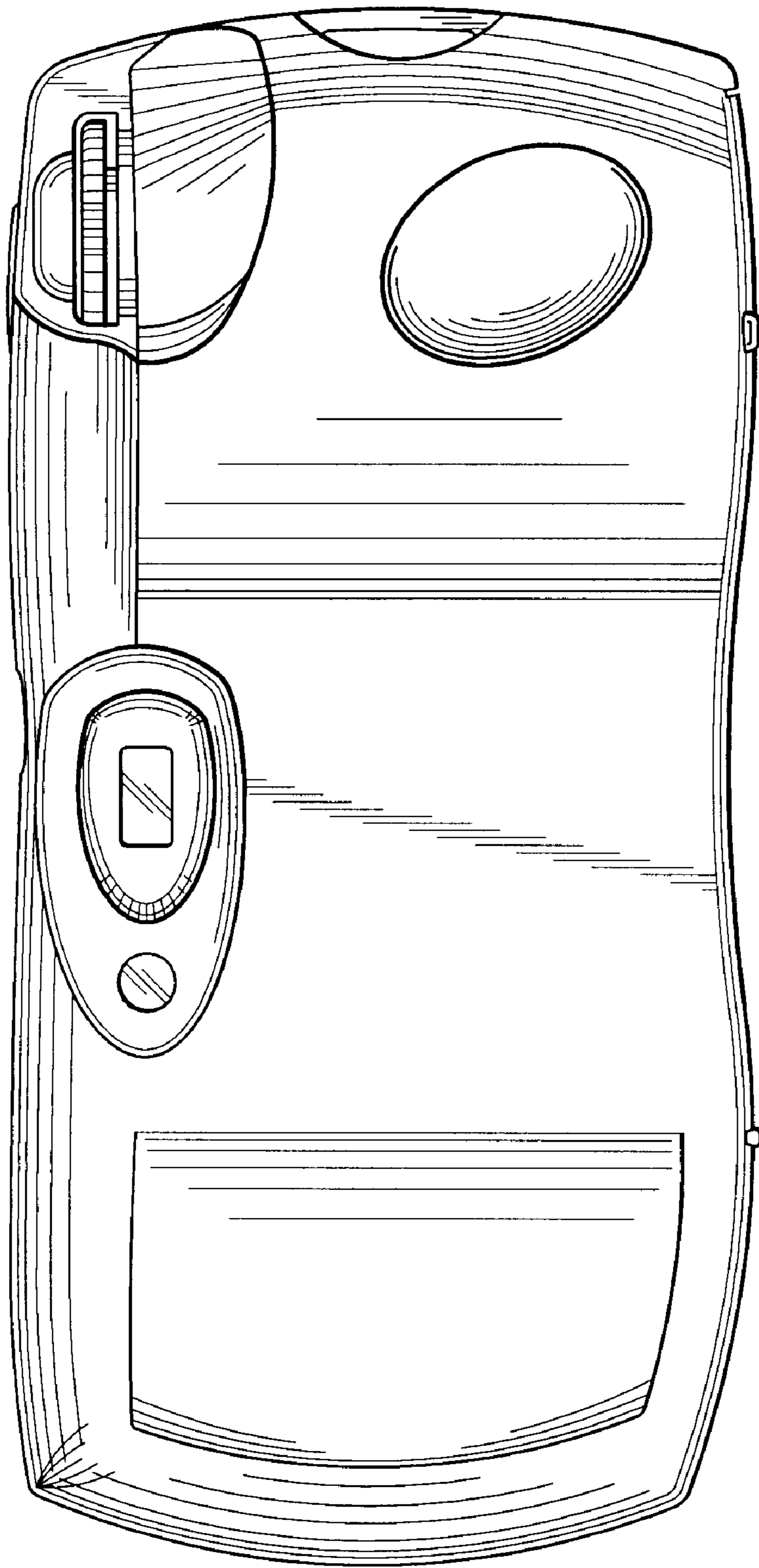


FIG. 4

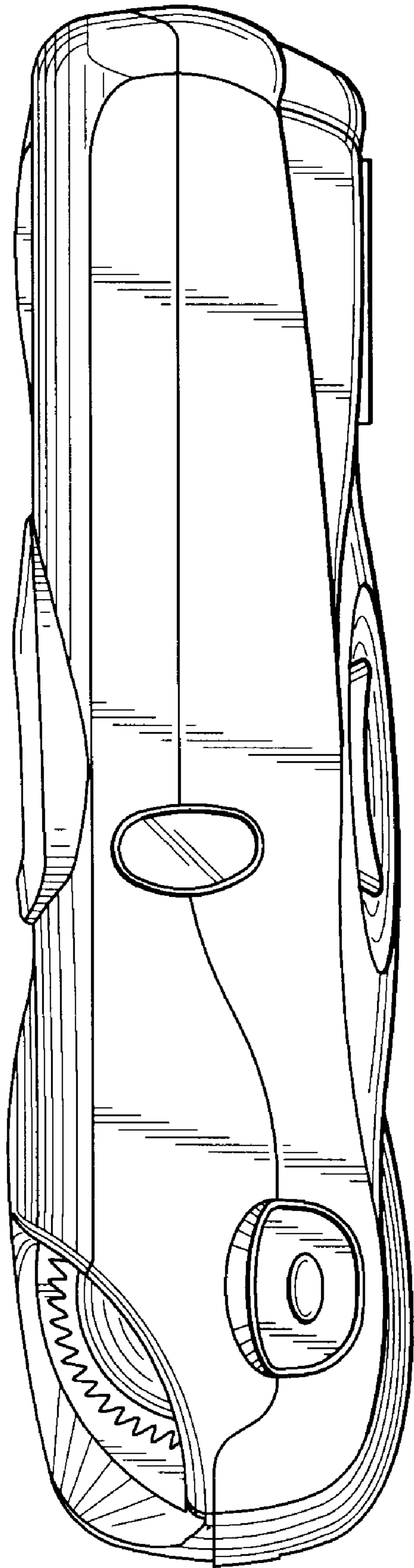


FIG. 5

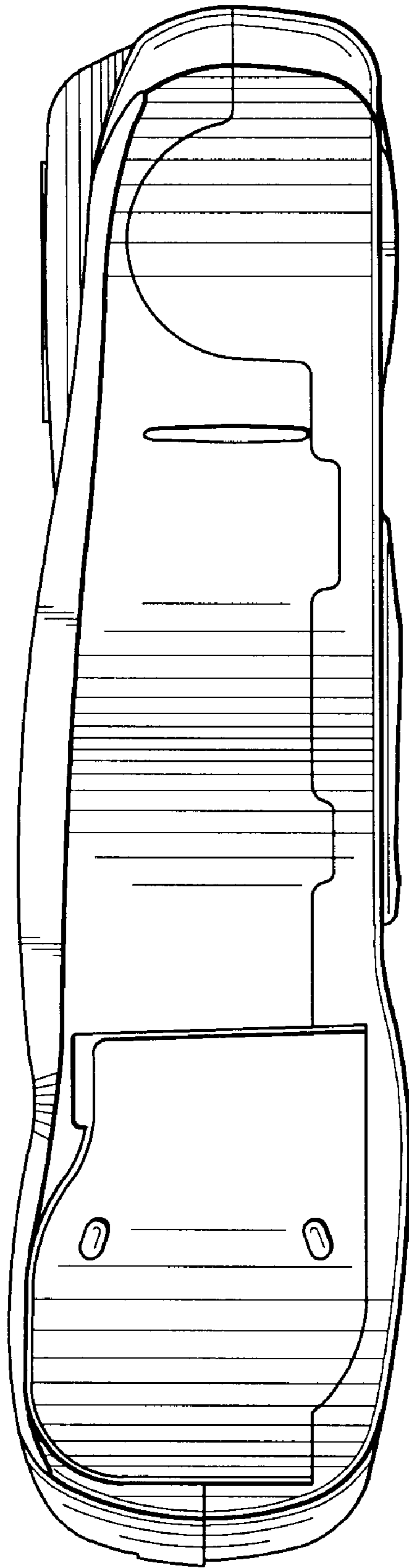


FIG. 6

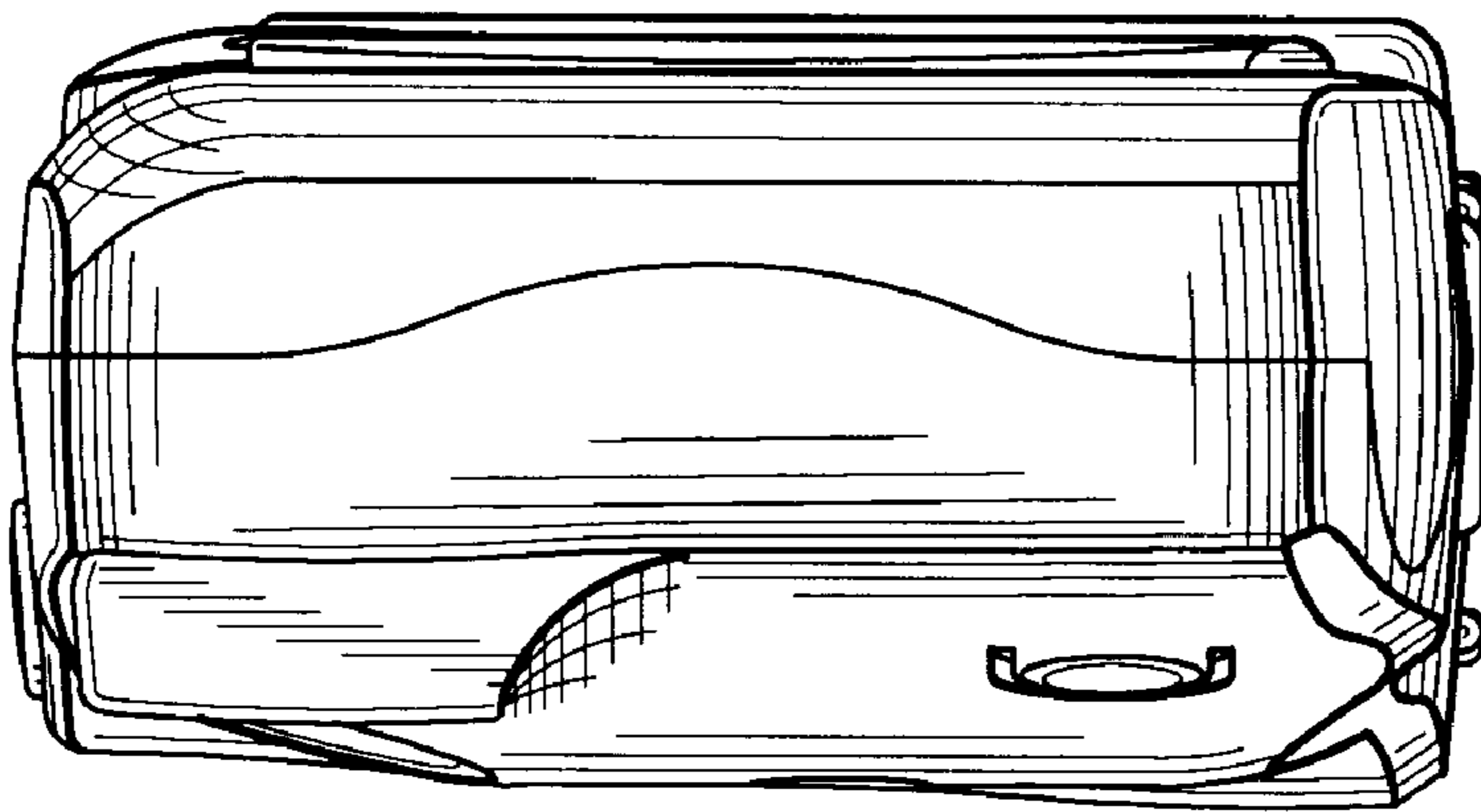


FIG. 7

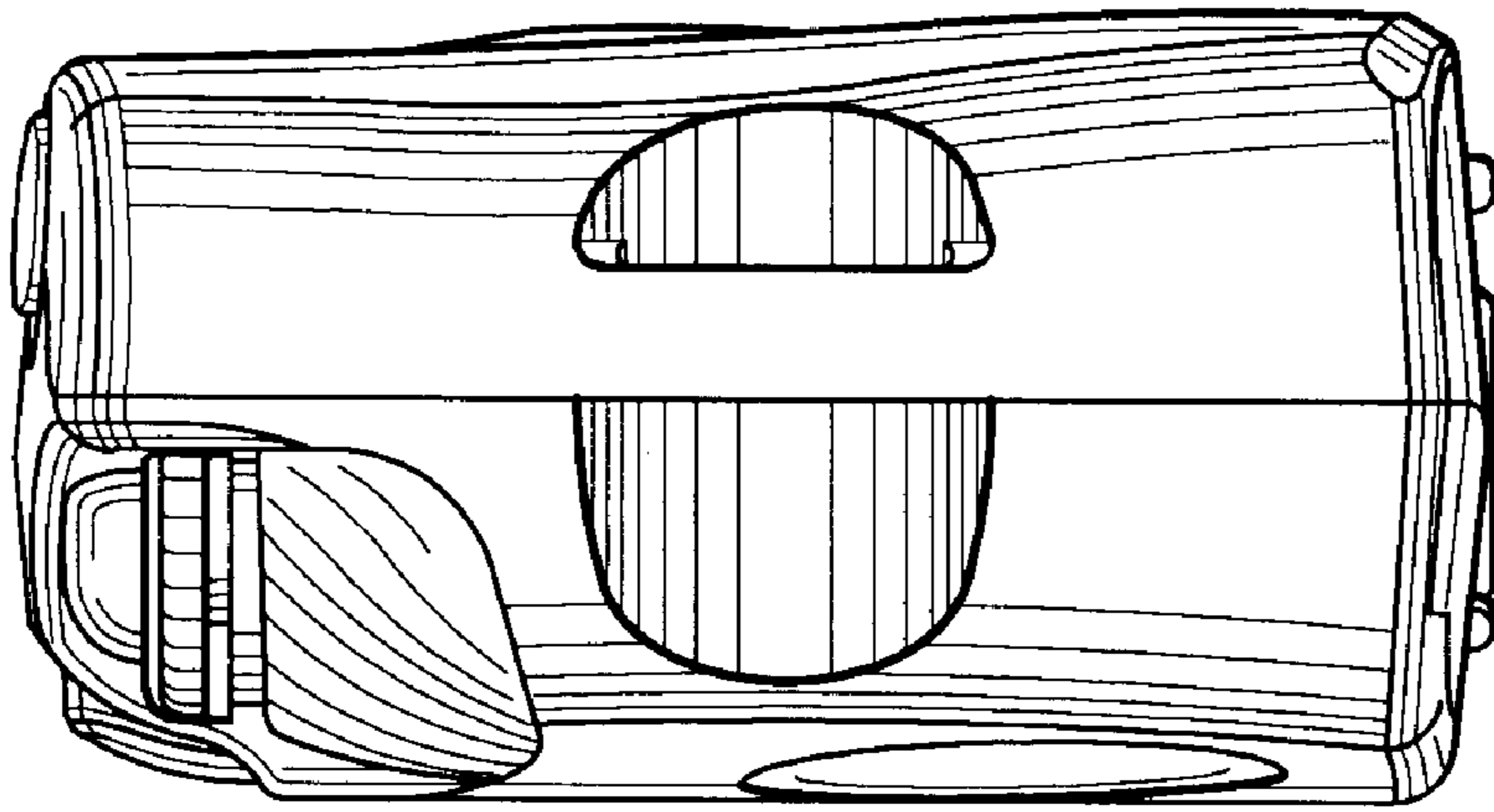


FIG. 8