



US00D423541S

# United States Patent [19] Ohwada

[11] Patent Number: **Des. 423,541**

[45] Date of Patent: **\*\* Apr. 25, 2000**

[54] **VIDEO CAMERA WITH VIDEO TAPE RECORDER**

[75] Inventor: **Masahito Ohwada**, Yokohama, Japan

[73] Assignee: **Canon Kabushiki Kaisha**, Tokyo, Japan

[\*\*] Term: **14 Years**

[21] Appl. No.: **29/099,419**

[22] Filed: **Jan. 21, 1999**

[30] **Foreign Application Priority Data**

Jul. 22, 1998 [JP] Japan ..... 10-21004

[51] **LOC (6) Cl.** ..... **16-01**

[52] **U.S. Cl.** ..... **D16/202**

[58] **Field of Search** ..... D16/200-208;  
348/373-376; 352/242, 243; 358/906

[56] **References Cited**

**U.S. PATENT DOCUMENTS**

D. 355,664 2/1995 Kataoka ..... D16/202  
D. 384,085 9/1997 Harata ..... D16/202

D. 386,508 11/1997 Ohwada ..... D16/202  
D. 391,279 2/1998 Ohwada ..... D16/202  
D. 391,281 2/1998 Itakura et al. .... D16/202  
D. 394,075 5/1998 Ninomiya et al. .... D16/202  
D. 396,870 8/1998 Ohwada ..... D16/202  
5,499,052 3/1996 Nakanishi et al. .... 348/373

*Primary Examiner*—Adir Aronovich  
*Attorney, Agent, or Firm*—Fitzpatrick, Cella, Harper & Scinto

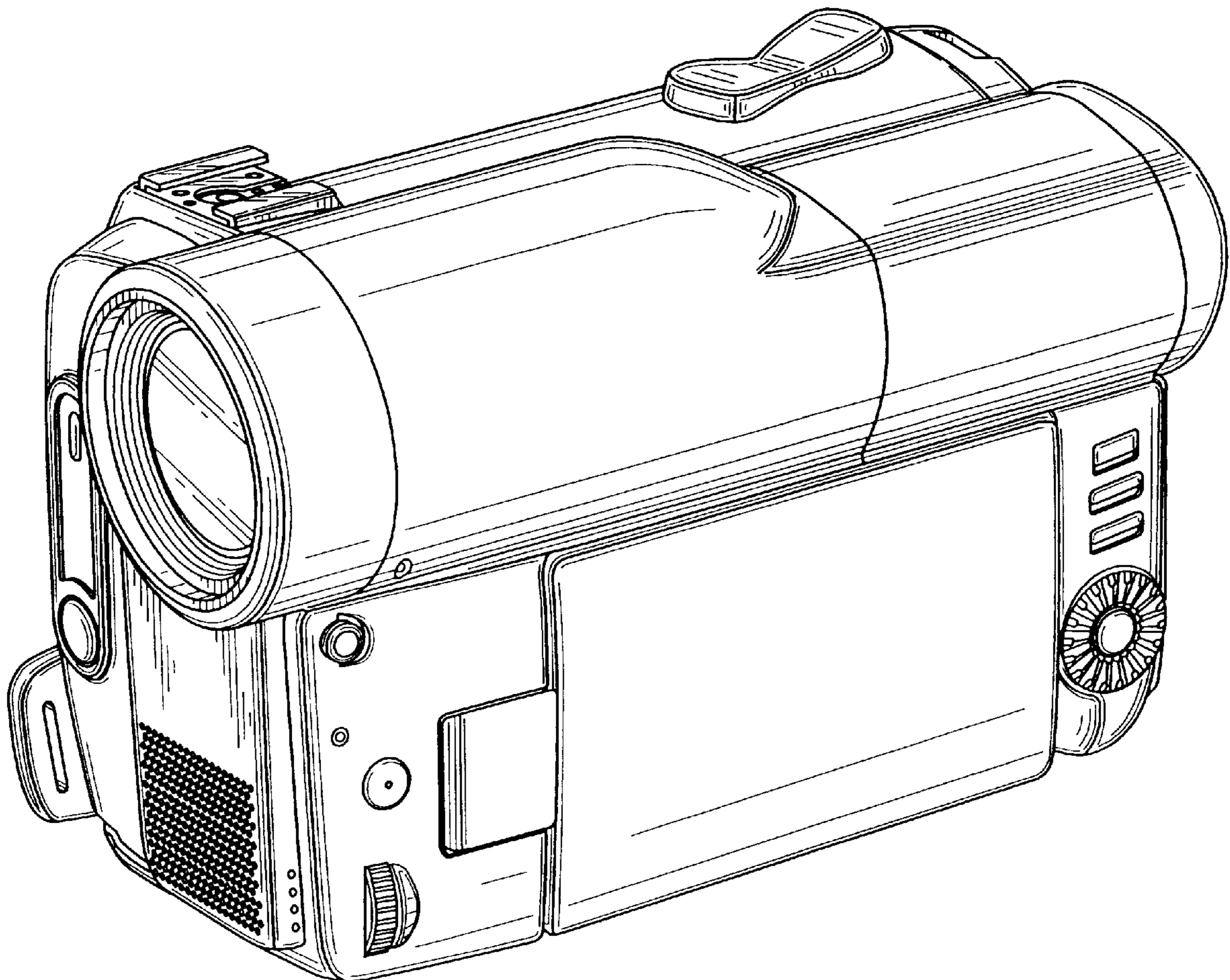
[57] **CLAIM**

The ornamental design for a video camera with video tape recorder, as shown and described.

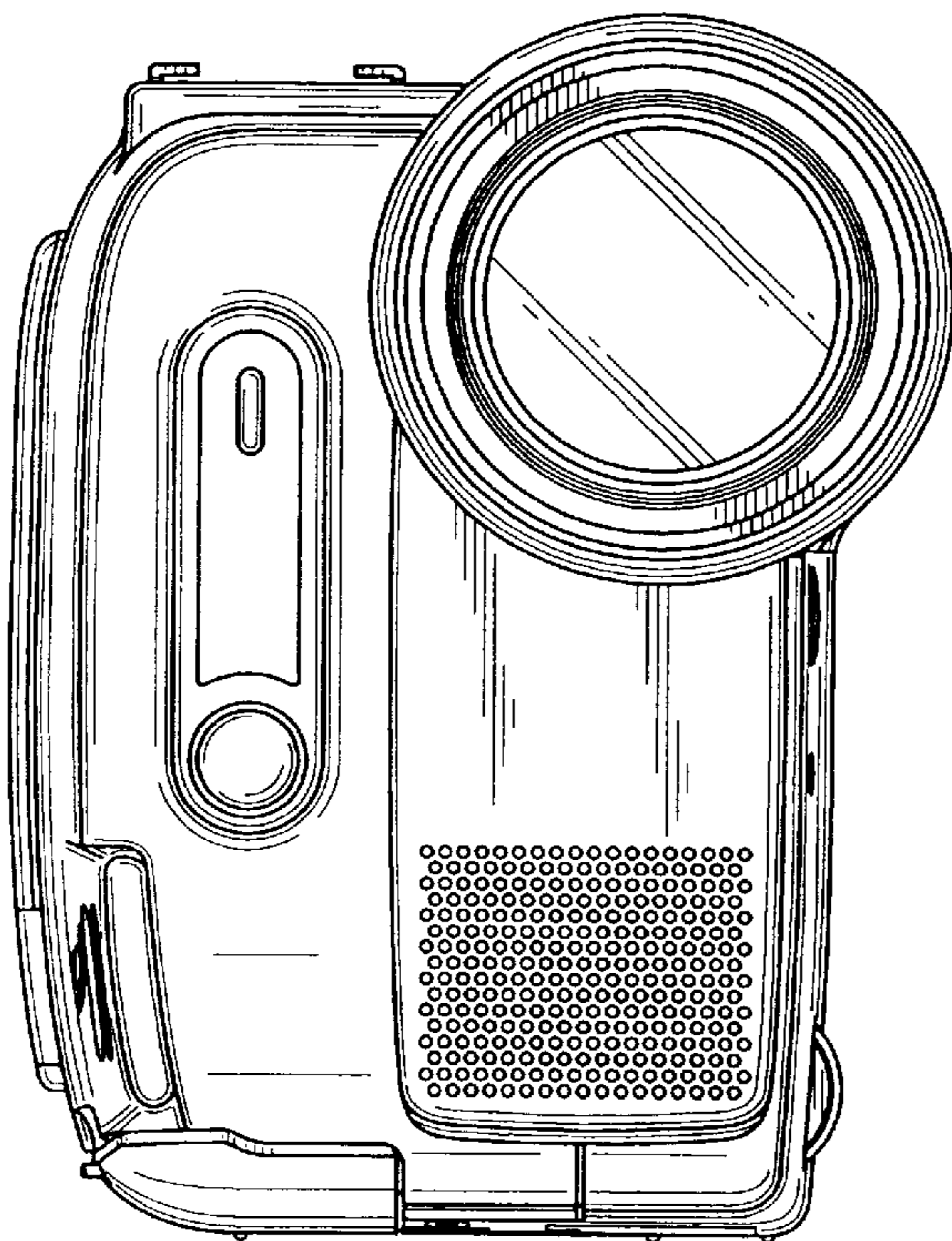
**DESCRIPTION**

FIG. 1 is a front view of a video camera with video tape recorder showing my new design; FIG. 2 is a rear view thereof; FIG. 3 is a top plan view thereof; FIG. 4 is a bottom plan view thereof; FIG. 5 is a left side view thereof; FIG. 6 is a right side view thereof; and, FIG. 7 is a perspective view thereof.

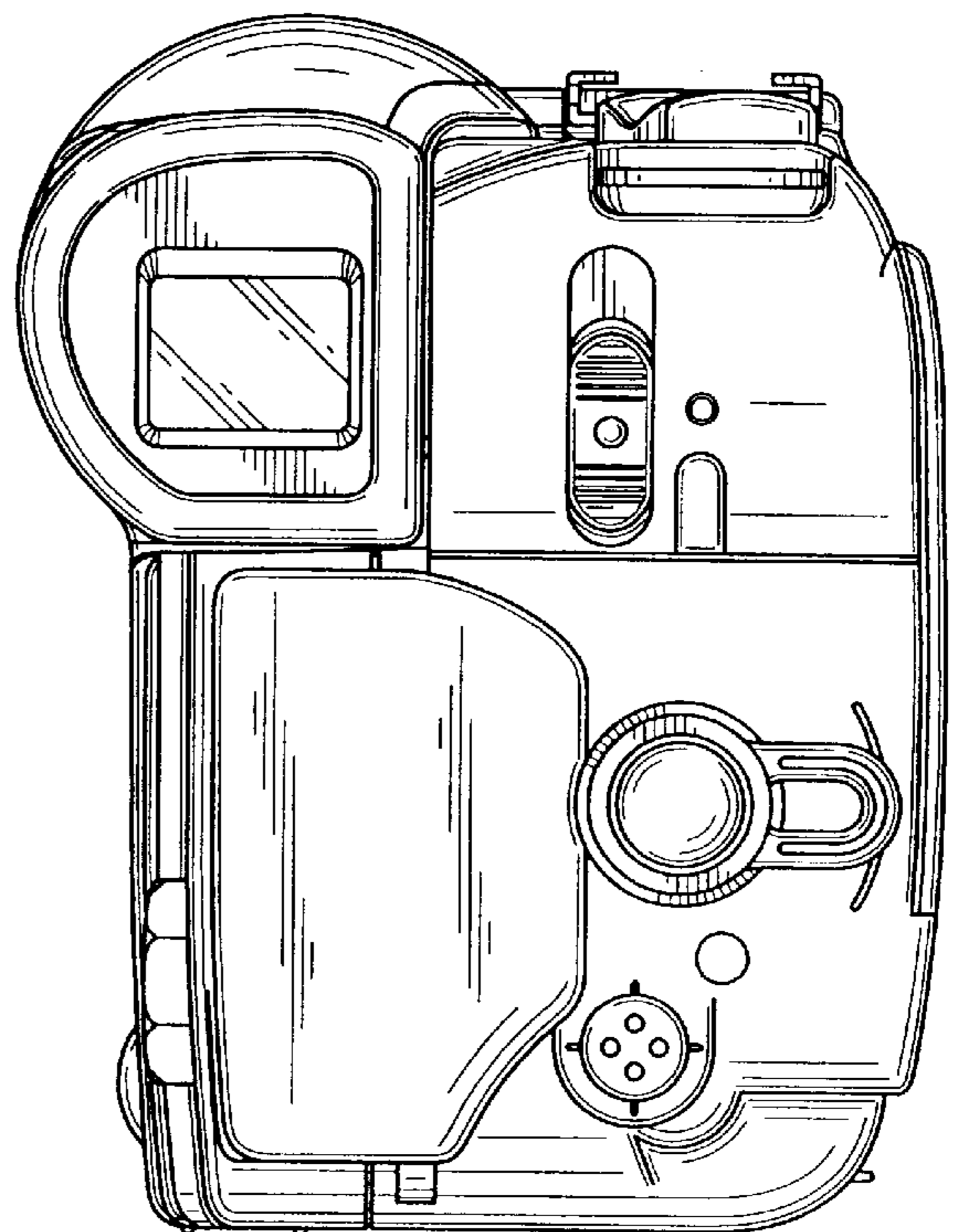
**1 Claim, 4 Drawing Sheets**



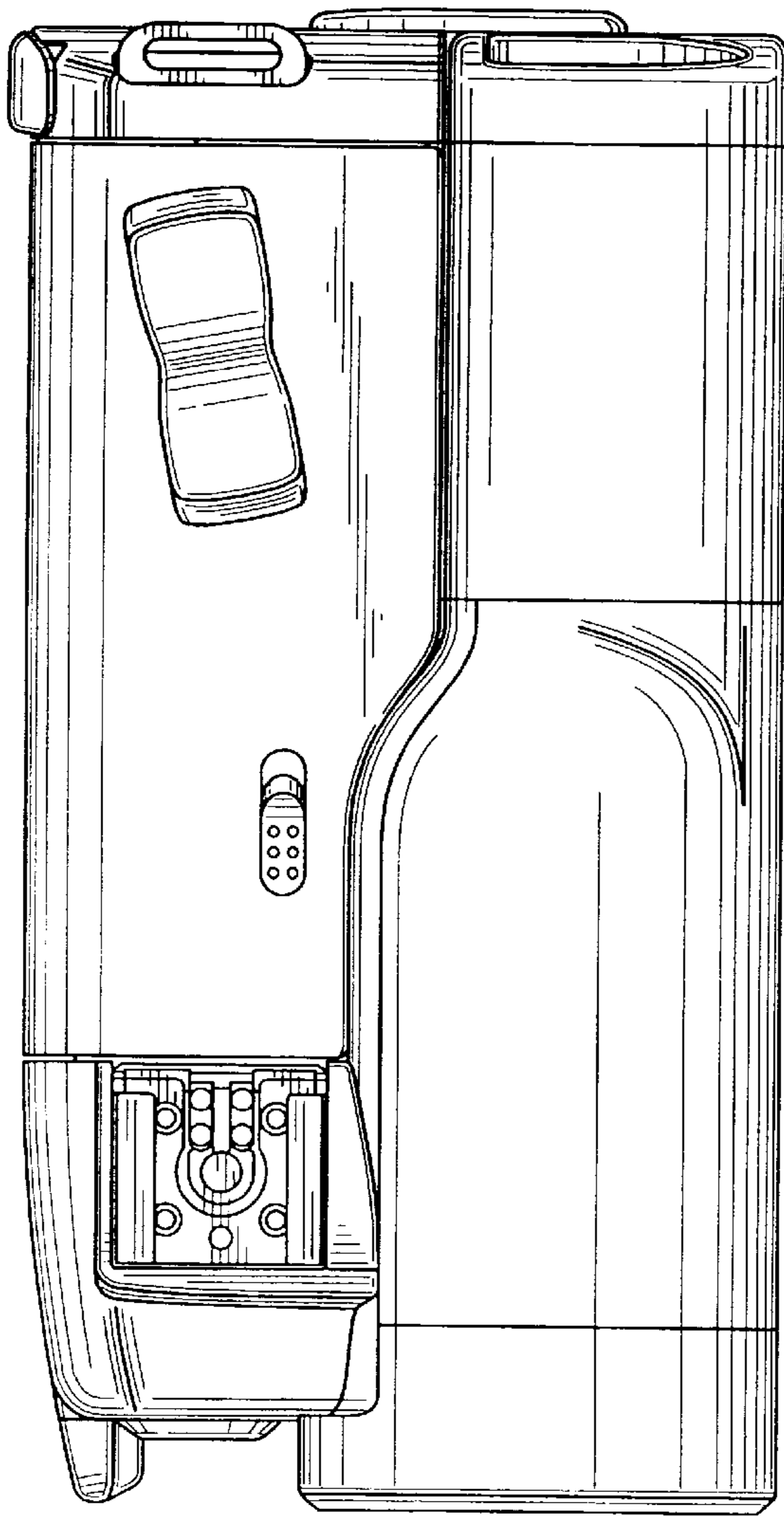
*FIG. 1*



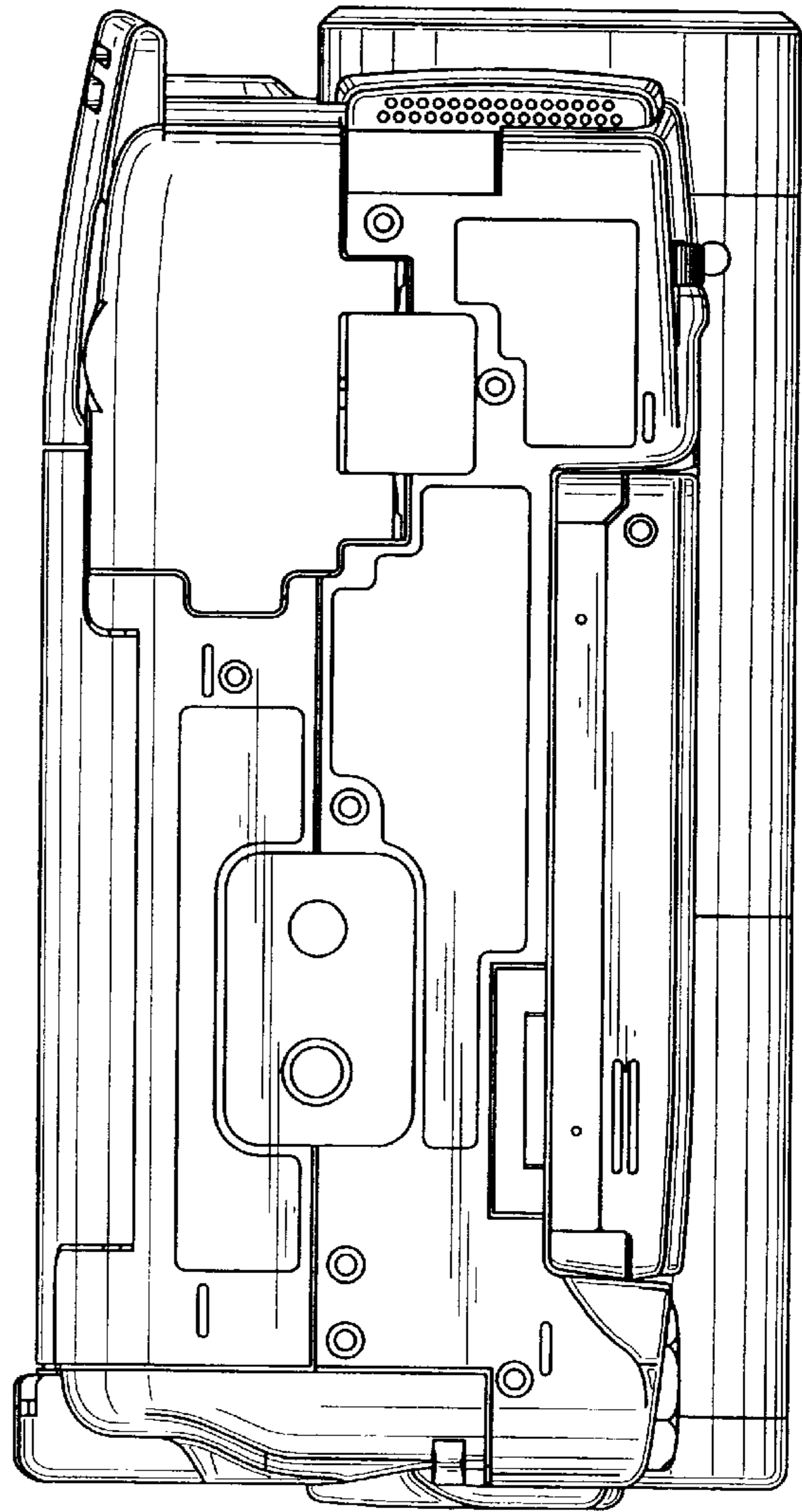
*FIG. 2*



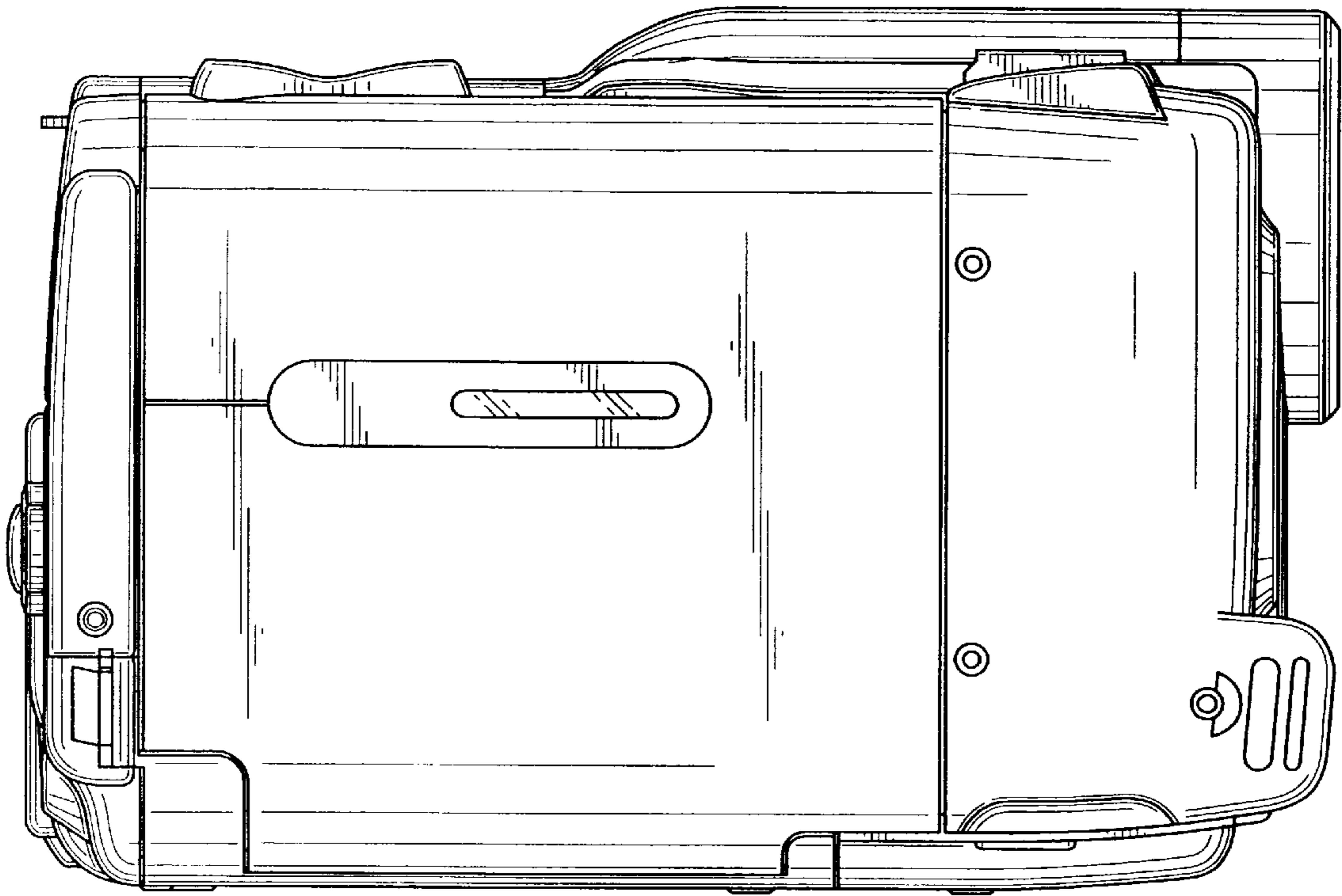
*FIG. 3*



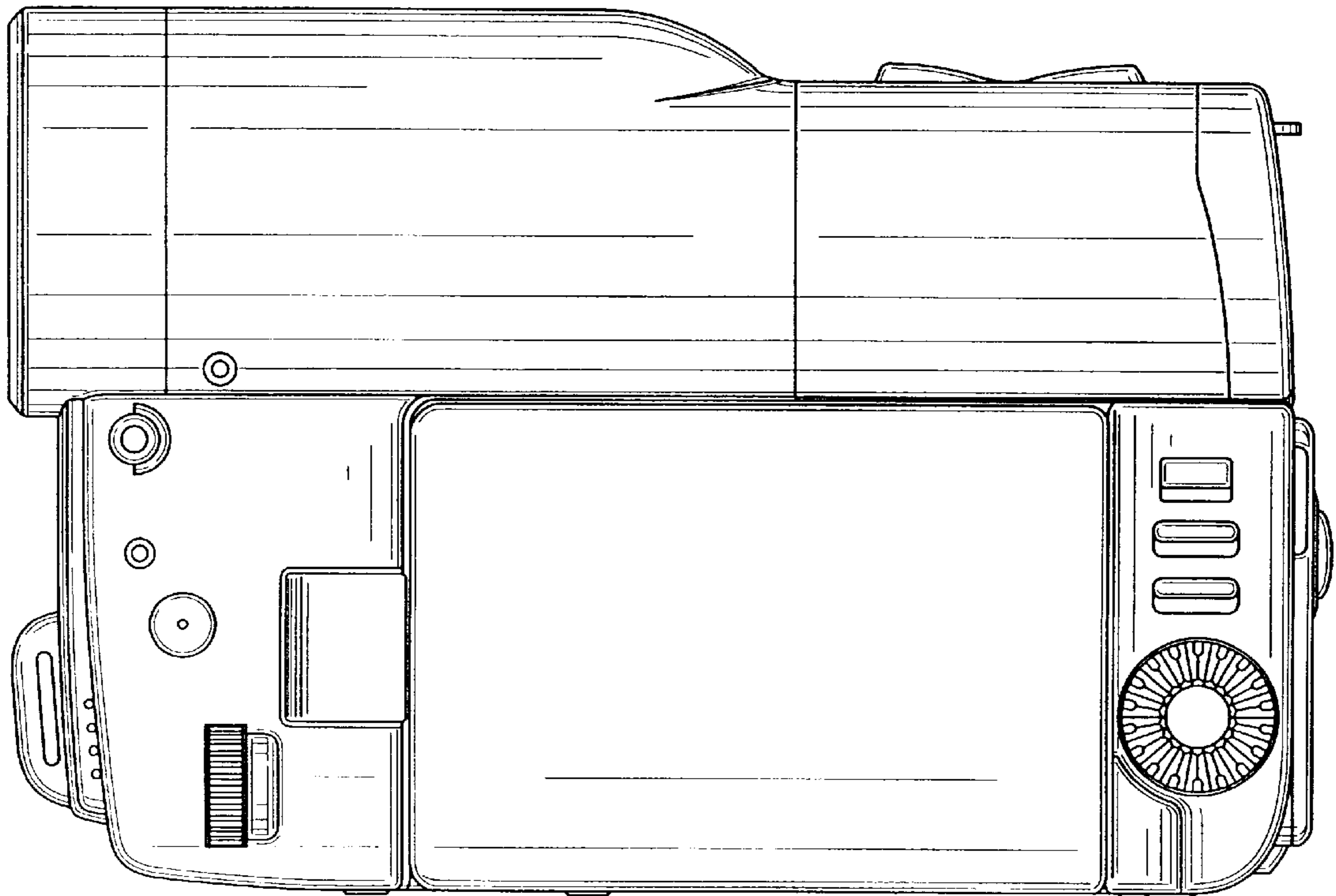
*FIG. 4*



**FIG. 5**



**FIG. 6**



*FIG. 7*

