



US00D423537S

United States Patent [19]

Lee

[11] Patent Number: **Des. 423,537**

[45] Date of Patent: **** Apr. 25, 2000**

[54] **BINOCULARS**

[76] Inventor: **Li-Hwa Lee**, 13th Fl., No. 94, Sec. 1, Hsin-Tsi Wu Rd., Hsichih Chen, Taipei Hsien, Taiwan

[**] Term: **14 Years**

[21] Appl. No.: **29/109,542**

[22] Filed: **Aug. 17, 1999**

[51] **LOC (6) Cl.** **16-06**

[52] **U.S. Cl.** **D16/133**

[58] **Field of Search** D16/130, 132, D16/133; 359/405, 407, 409, 411, 412, 413, 415, 417, 418, 420, 804, 809

[56] **References Cited**

U.S. PATENT DOCUMENTS

- D. 275,400 9/1984 Huckonbeck D16/133
- D. 306,606 3/1990 Yamanaka et al. D16/133
- D. 338,027 8/1993 Ushiyama D16/133

- D. 364,631 11/1995 Hamamura D16/133
- D. 412,177 7/1999 Fuji D16/133
- 4,186,992 2/1980 Kamakura 359/408 X
- 4,568,155 2/1986 Shimizu 359/414
- 5,231,535 7/1993 Peters et al. 359/418 X

Primary Examiner—Paula A. Mortimer
Attorney, Agent, or Firm—William E. Pelton, Esq.

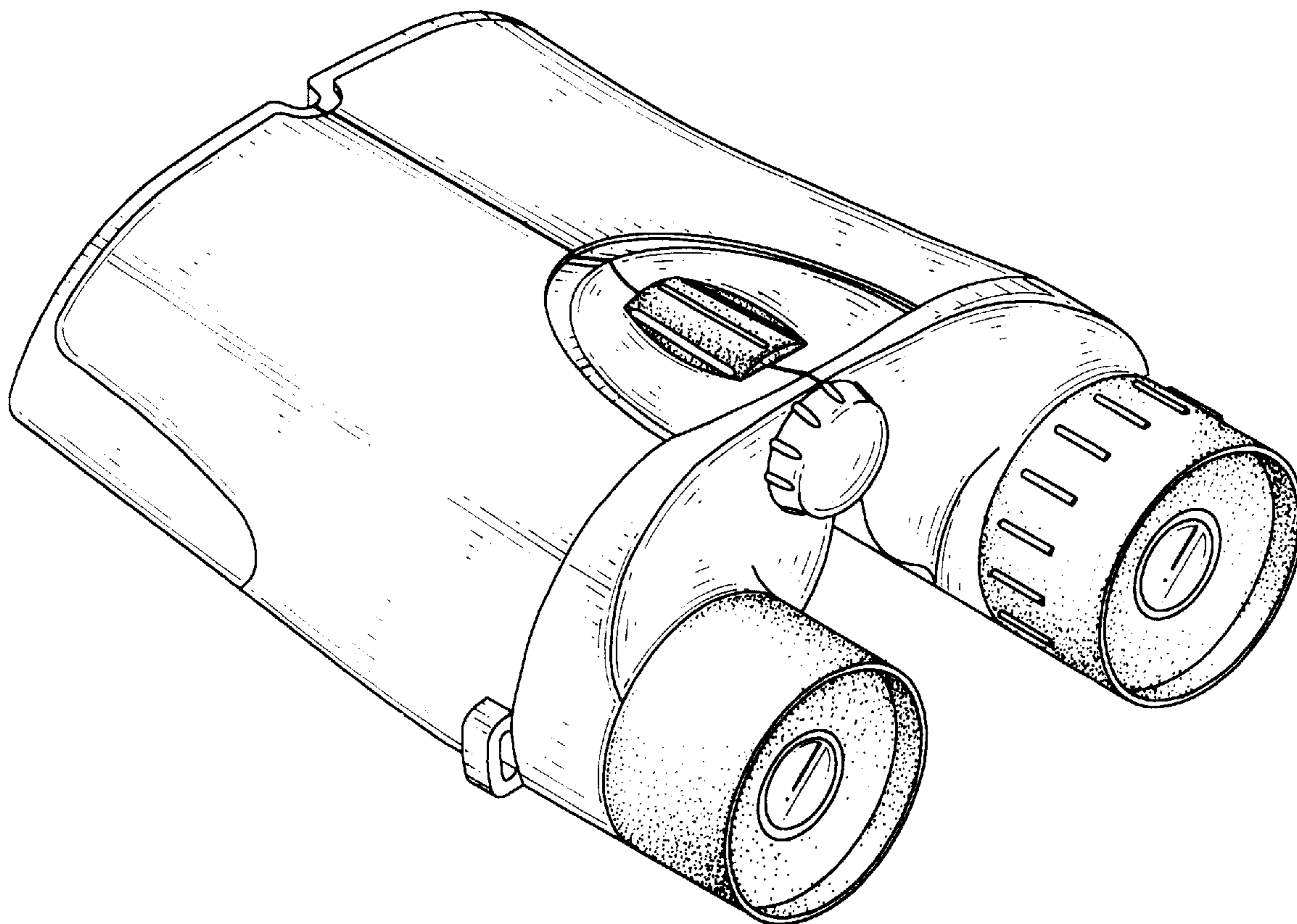
[57] **CLAIM**

The ornamental design for a binoculars, as shown.

DESCRIPTION

FIG. 1 is a front-right-top perspective view of a binoculars showing my new design;
FIG. 2 is a front elevational view thereof;
FIG. 3 is a rear elevational view thereof;
FIG. 4 is a left elevational view thereof;
FIG. 5 is a right elevational view thereof;
FIG. 6 is a top plan view thereof; and,
FIG. 7 is a bottom plan view thereof.

1 Claim, 4 Drawing Sheets



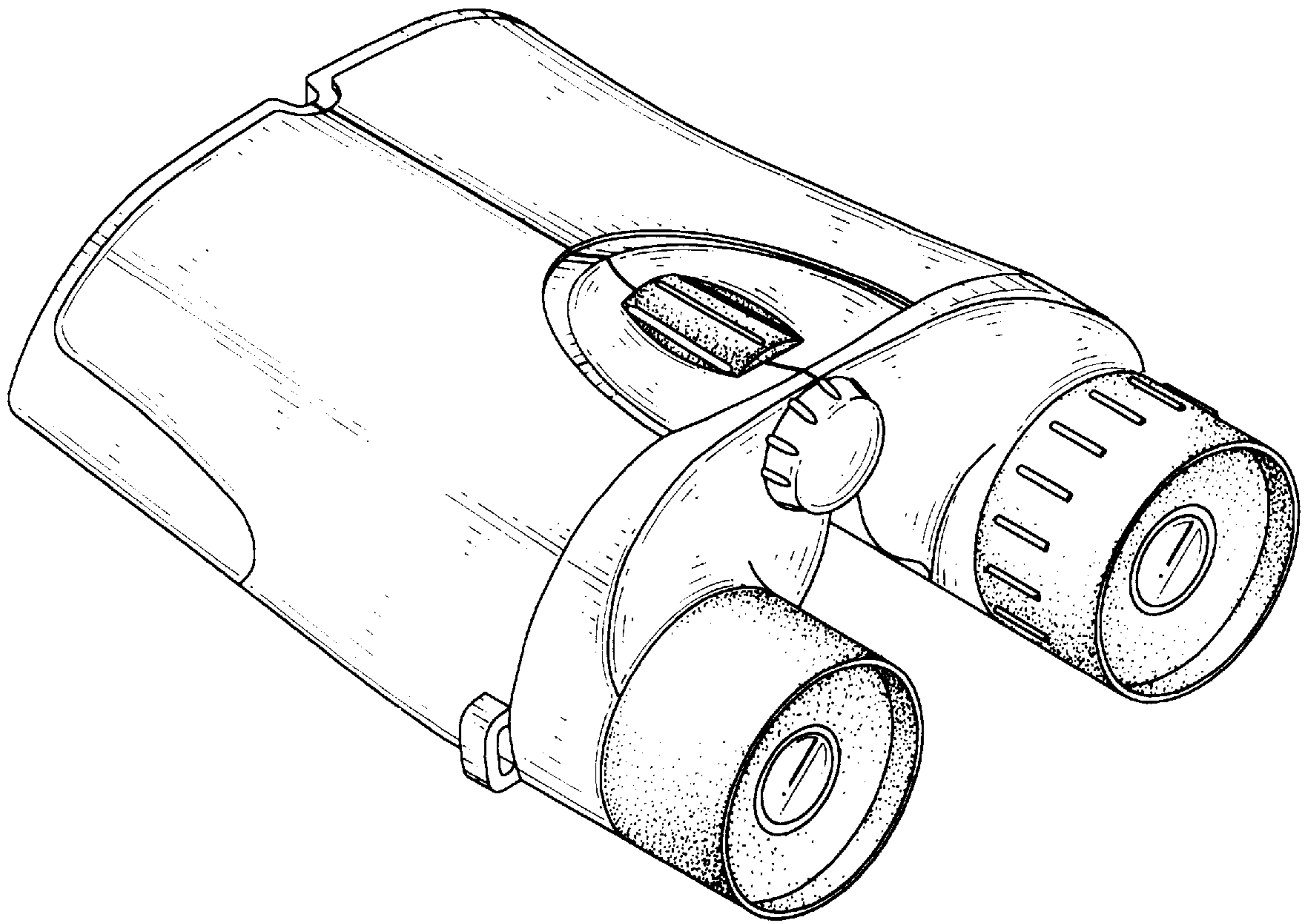


FIG.1

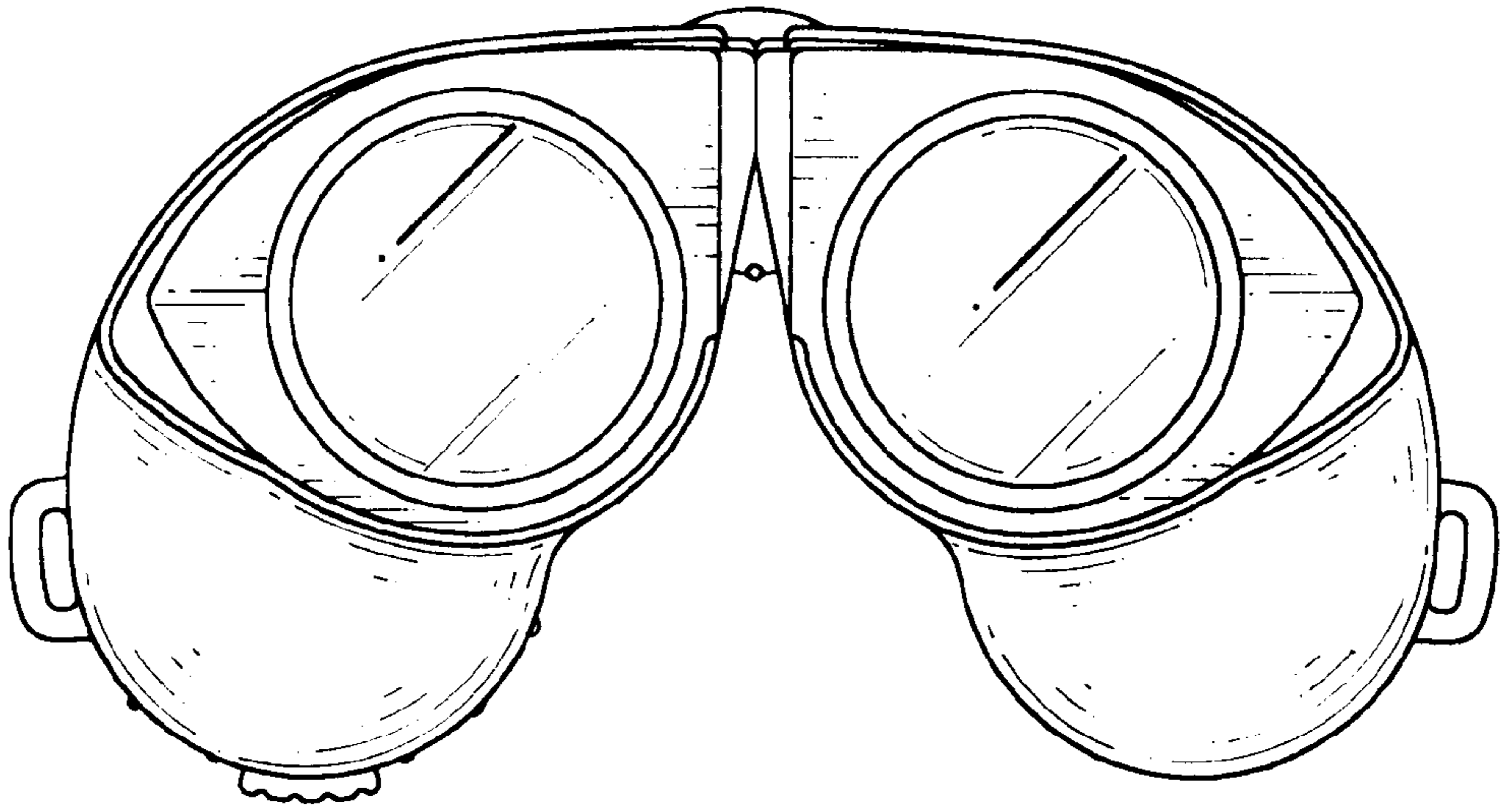


FIG.3

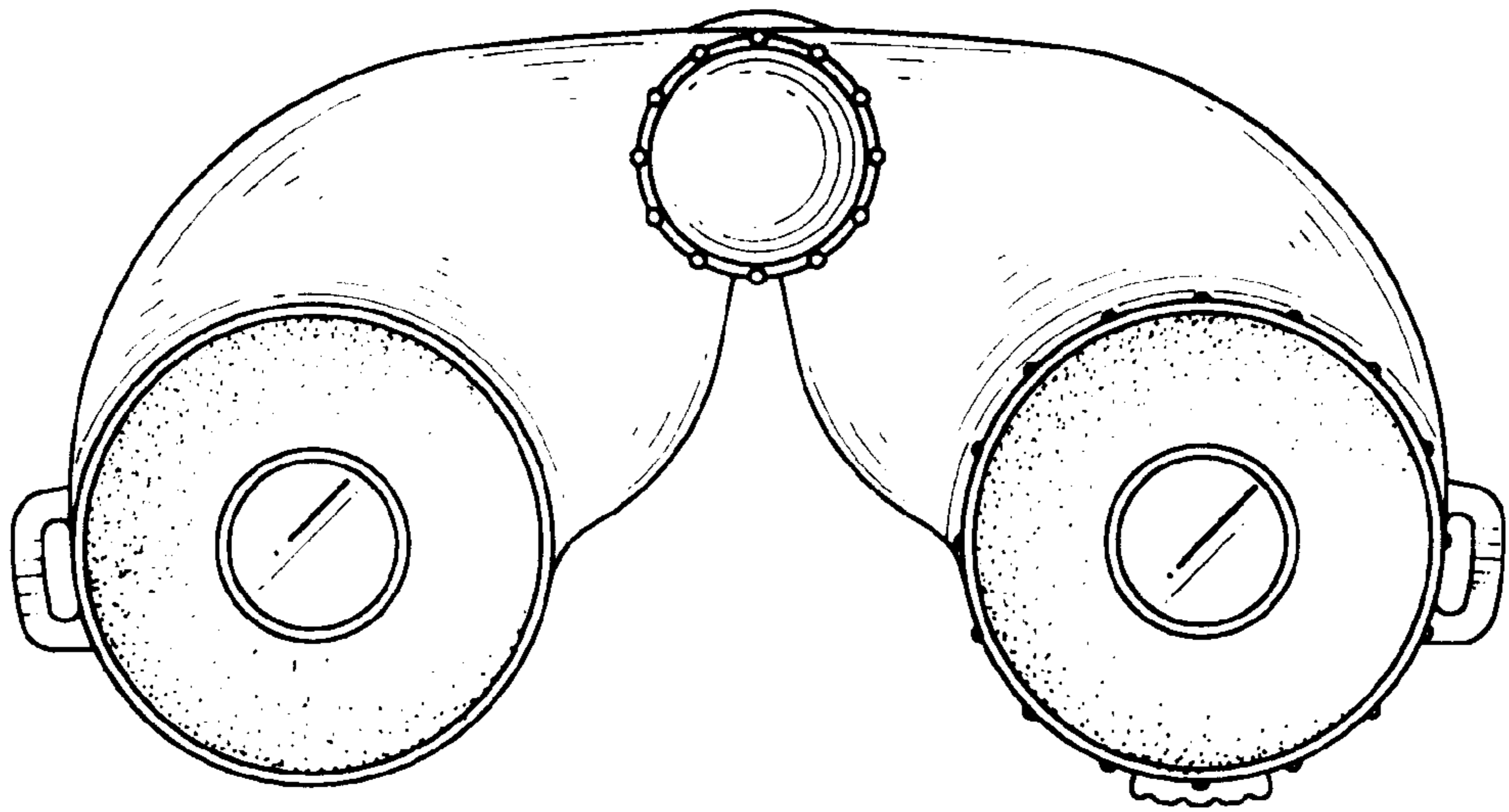


FIG.2

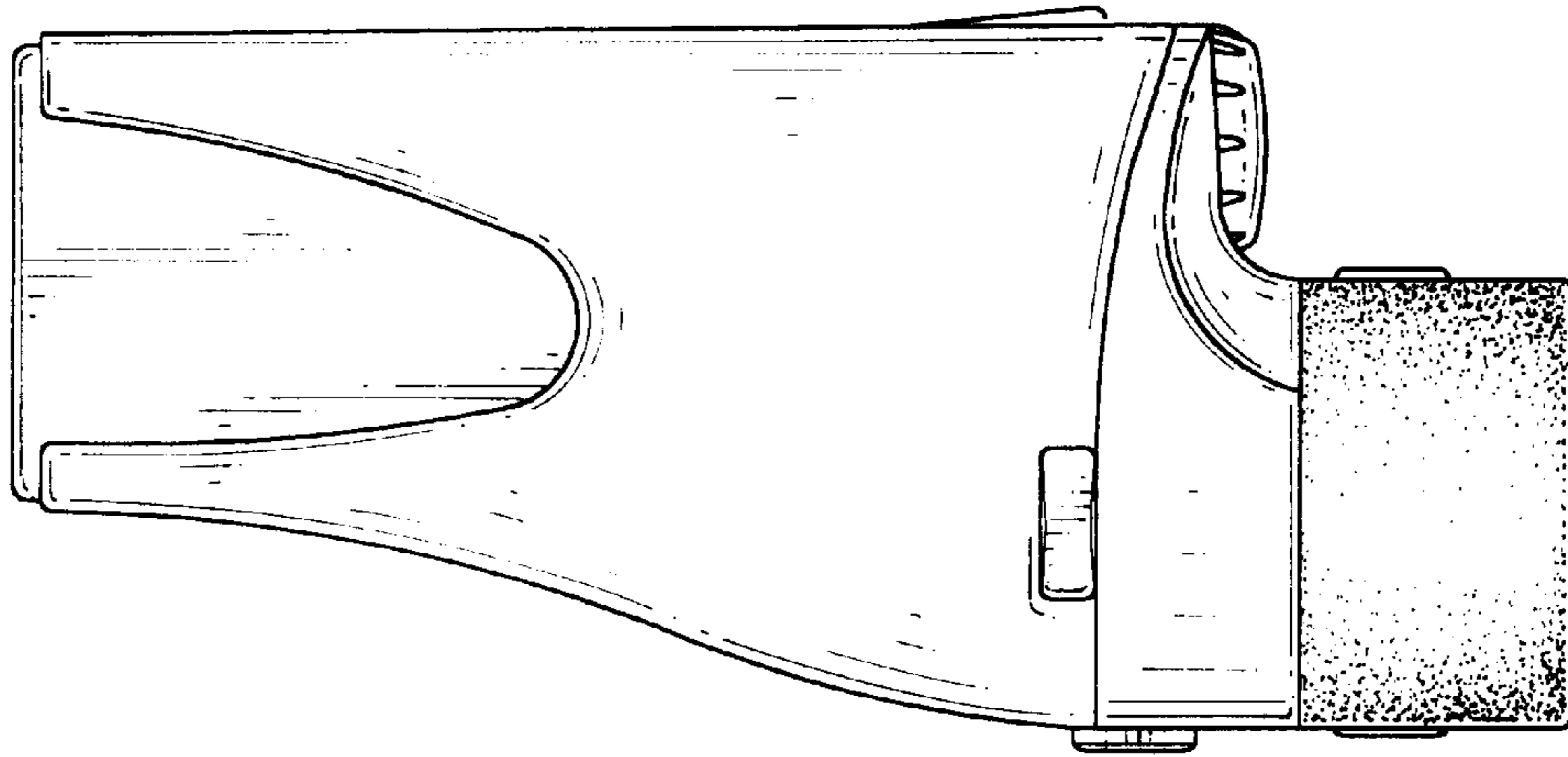


FIG.4

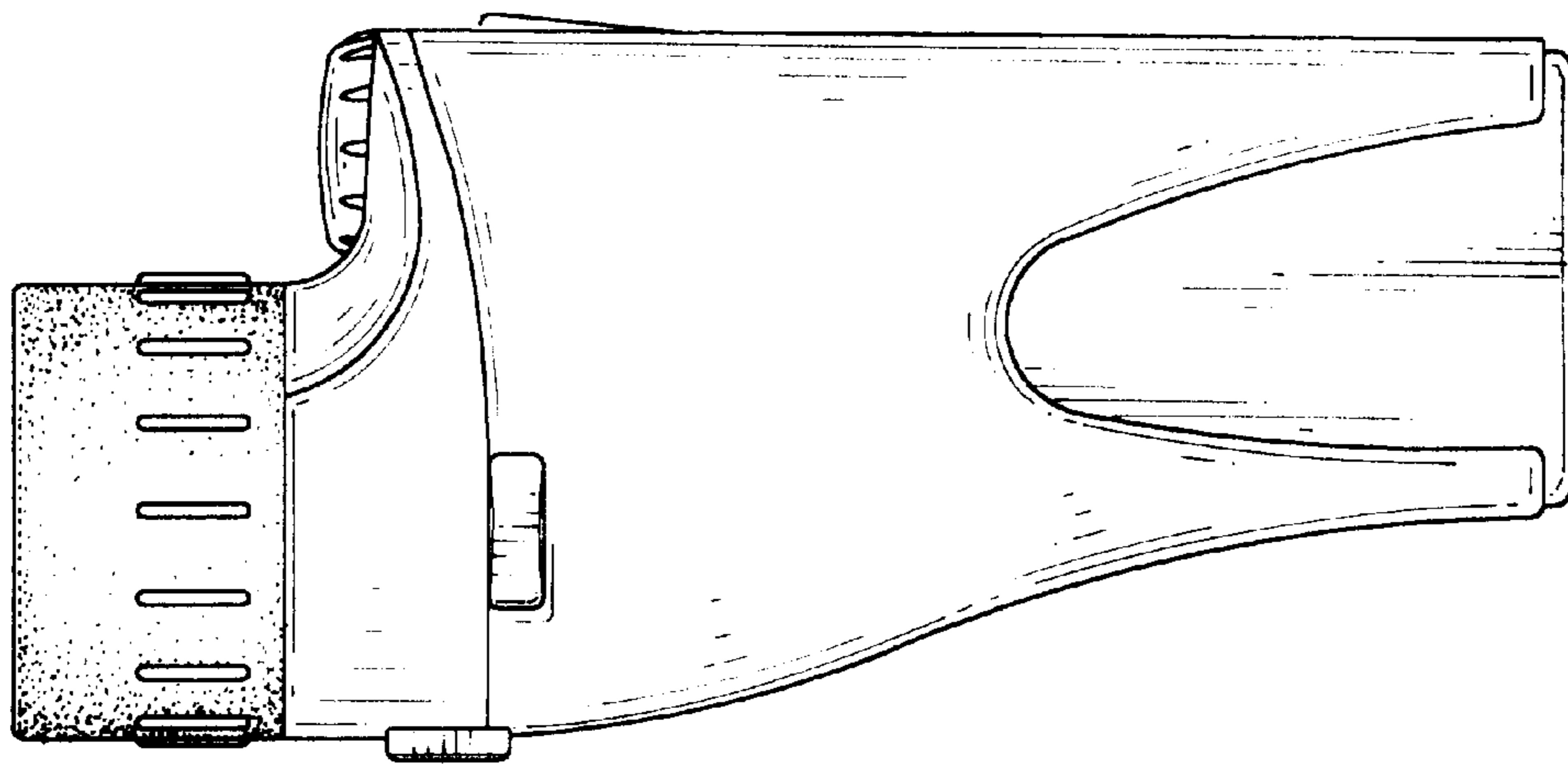


FIG.5

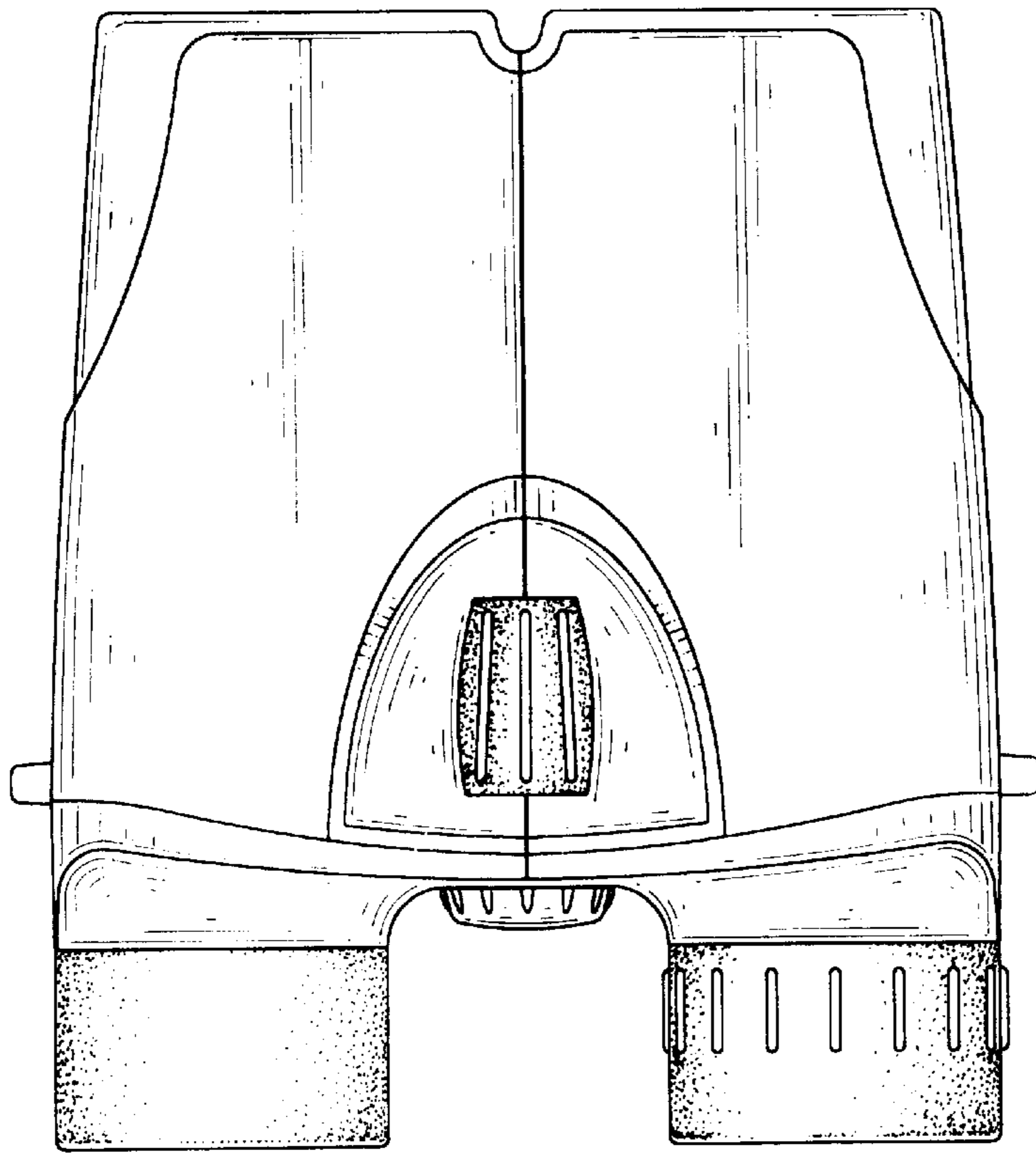


FIG. 6

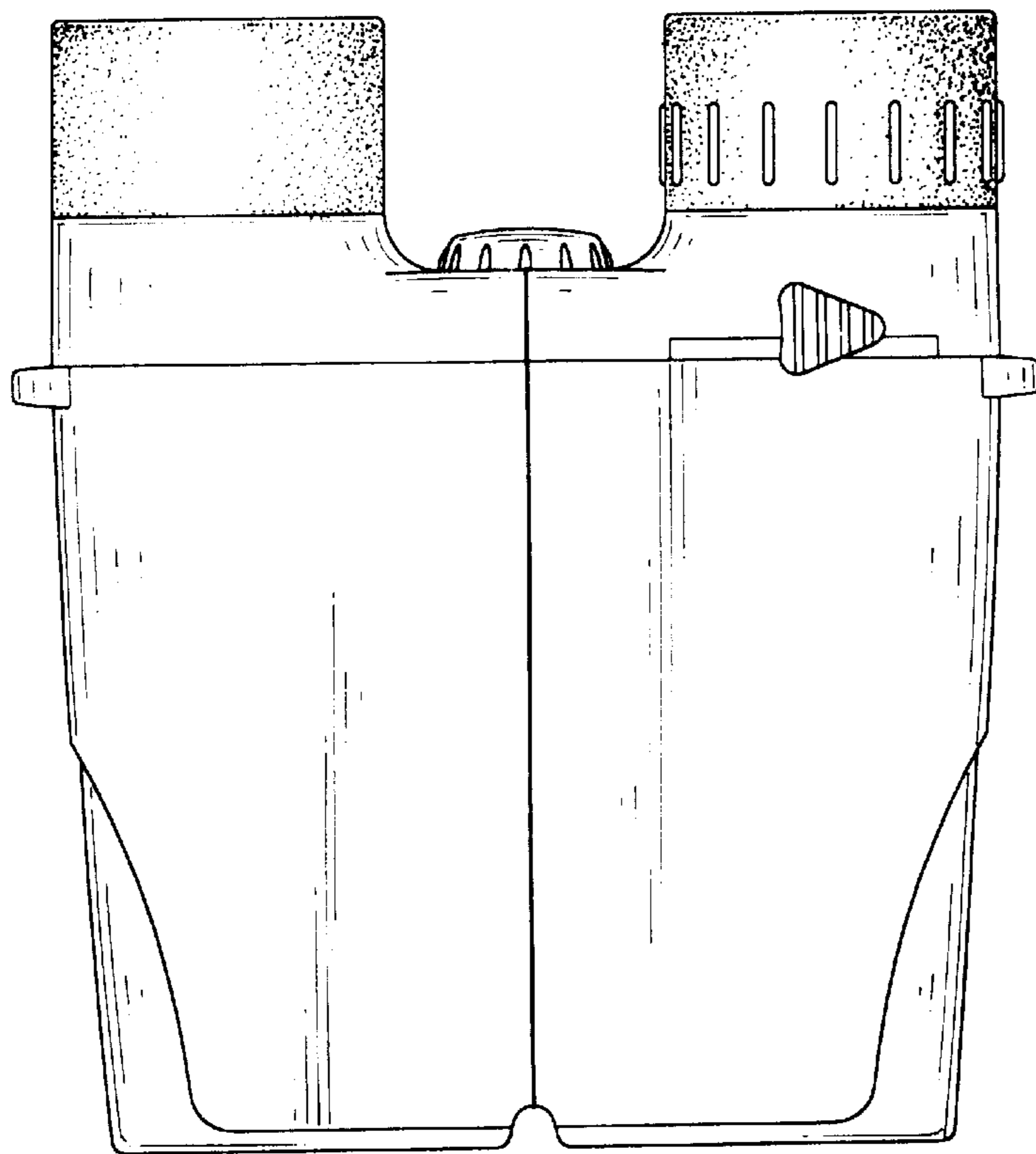


FIG. 7