



US00D423536S

# United States Patent [19] Hashimoto

[11] **Patent Number: Des. 423,536**

[45] **Date of Patent: \*\* Apr. 25, 2000**

[54] **MICROSCOPE**

[75] **Inventor: Nobou Hashimoto, Kawasaki, Japan**

[73] **Assignee: Nikon Corporation, Tokyo, Japan**

[\*\*] **Term: 14 Years**

[21] **Appl. No.: 29/106,315**

[22] **Filed: Jun. 15, 1999**

### [30] Foreign Application Priority Data

Dec. 21, 1998 [JP] Japan ..... 10-36856

[51] **LOC (6) Cl. .... 16-06**

[52] **U.S. Cl. .... D16/131**

[58] **Field of Search ..... D16/130, 131;  
359/376, 377, 378, 385, 390, 393, 381,  
388, 801**

### [56] References Cited

#### U.S. PATENT DOCUMENTS

D. 193,214 7/1962 Preble ..... D16/131

D. 355,430	2/1995	Hofmann-Igl	.....	D16/131
D. 367,869	3/1996	Hofmann-Igl et al.	.....	D16/131
D. 391,587	3/1998	Hashimoto	.....	D16/131
2,967,456	1/1961	Maier	.....	359/376
3,687,520	8/1972	Nothnagle et al.	.....	359/376

*Primary Examiner*—Paula A. Mortimer  
*Attorney, Agent, or Firm*—Oliff & Berridge, PLC

### [57] CLAIM

The ornamental design for a microscope, as shown.

### DESCRIPTION

FIG. 1 is a front elevational view of a microscope showing our new design;

FIG. 2 is a left side elevational view thereof;

FIG. 3 is a rear elevational view thereof;

FIG. 4 is a right side elevational view thereof;

FIG. 5 is a top plan view thereof;

FIG. 6 is a bottom plan view thereof;

FIG. 7 is a front perspective view thereof; and,

FIG. 8 is a front perspective view of the microscope which is folded for carrying.

**1 Claim, 7 Drawing Sheets**





FIG. 1

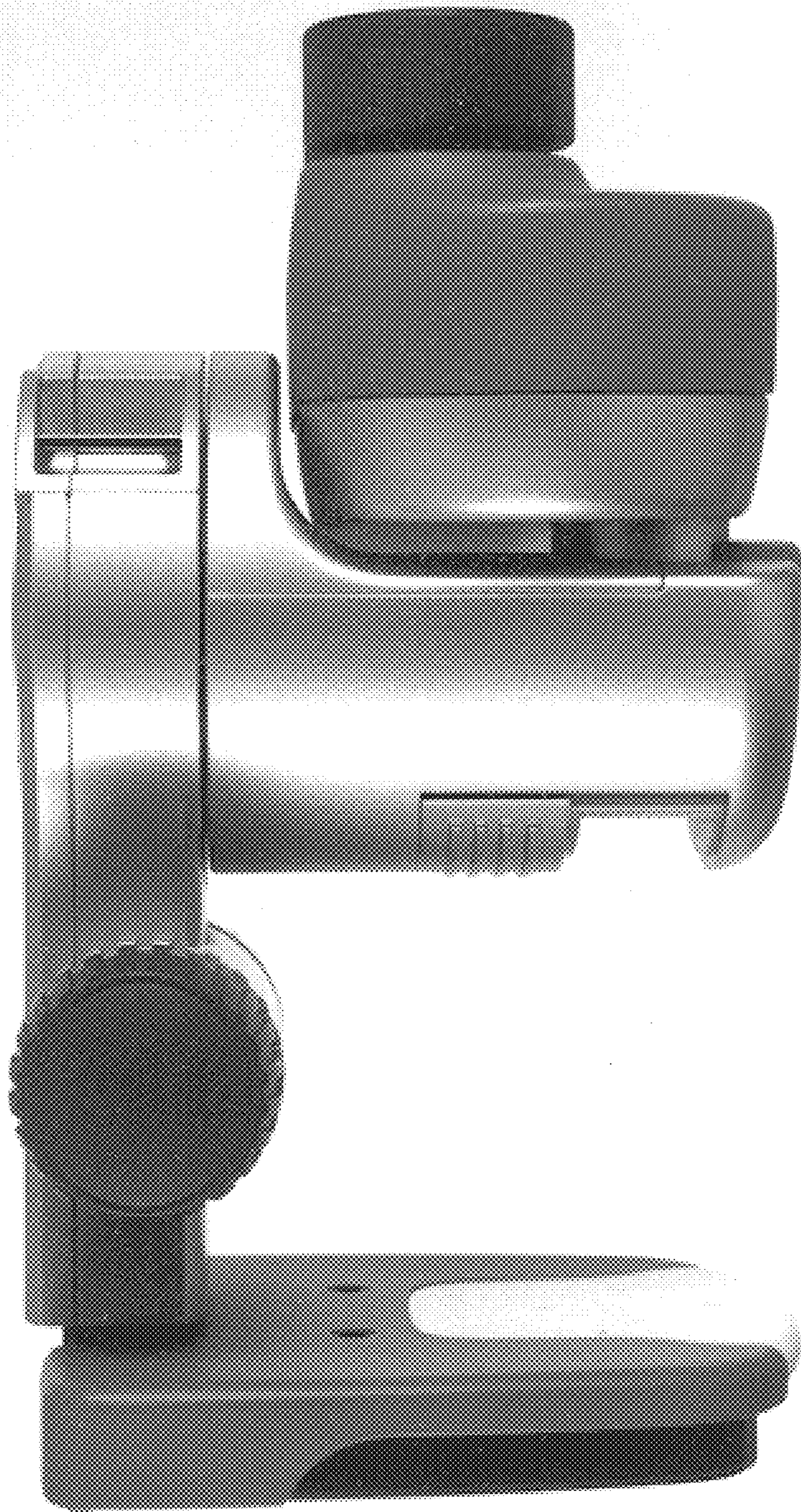


FIG. 2



FIG. 3



FIG. 4

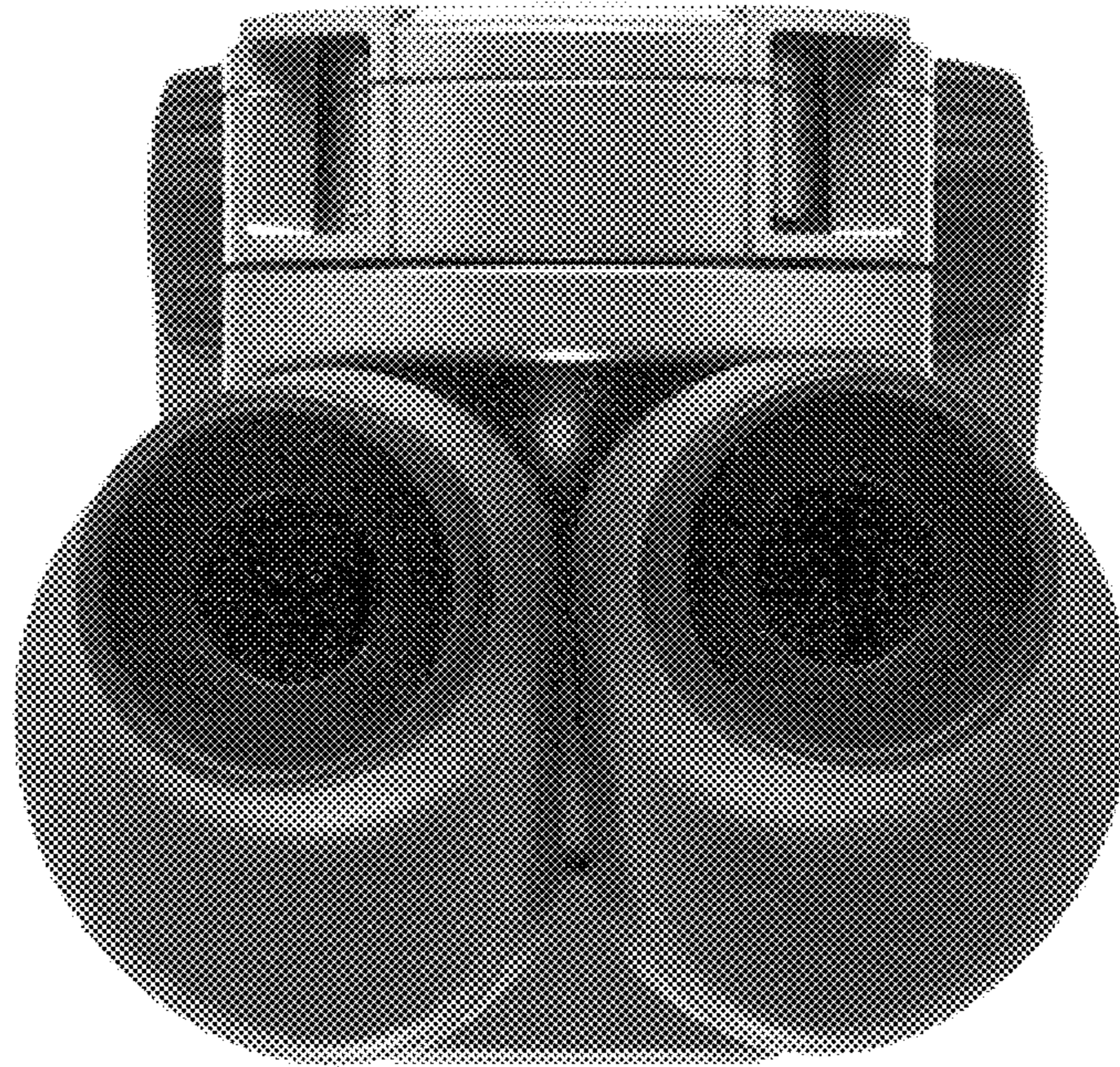


FIG. 5



FIG. 6



FIG. 7



FIG. 8