



US00D423531S

United States Patent [19]
Becker

[11] **Patent Number: Des. 423,531**
[45] **Date of Patent: ** Apr. 25, 2000**

[54] **OIL DRAINPAN ASSEMBLY**

DESCRIPTION

[75] Inventor: **Paul J. Becker**, Wichita, Kans.
[73] Assignee: **SFB Plastics, Inc.**, Wichita, Kans.
[**] Term: **14 Years**
[21] Appl. No.: **29/110,416**
[22] Filed: **Sep. 7, 1999**
[51] **LOC (6) Cl.** **15-09**
[52] **U.S. Cl.** **D15/150**
[58] **Field of Search** D15/150-152;
123/196 R, 198 E; 141/98, 339; 180/69.1;
189/106, 105.1, 1.5; 220/271-273, 527,
200, 573; 206/229, 504; 210/138, 143,
167

FIG. 1 is a perspective view of an oil drainpan assembly of this invention;
FIG. 2 is a top plan view thereof;
FIG. 3 is a side elevational view with an opposite side elevational view being identical but reversed;
FIG. 4 is an end elevational view with an opposite end elevational view being identical;
FIG. 5 is a bottom plan view thereof;
FIG. 6 is perspective view of the oil drainpan assembly in a newly manufactured condition ready to be nested for shipping;
FIG. 7 is a side elevational view of the oil drainpan assembly shown in FIG. 6;
FIG. 8 is an end elevational view of the oil drainpan assembly shown in FIG. 6 with an opposite end elevational view being identical;
FIG. 9 is an enlarged sectional view taken along line 9-9 in FIG. 2; and,
FIG. 10 is a perspective view of a plurality of the oil drainpan assemblies shown in FIG. 6 being nested for shipping.
The broken line showing is for illustrative purposes only and forms no part of the claimed design.

[56] **References Cited**

U.S. PATENT DOCUMENTS

5,349,995 9/1994 Perez 141/98

Primary Examiner—Antoine Duval Davis
Attorney, Agent, or Firm—Phillip A. Rein

[57] **CLAIM**

The ornamental design for an oil drainpan assembly, as shown and described.

1 Claim, 4 Drawing Sheets

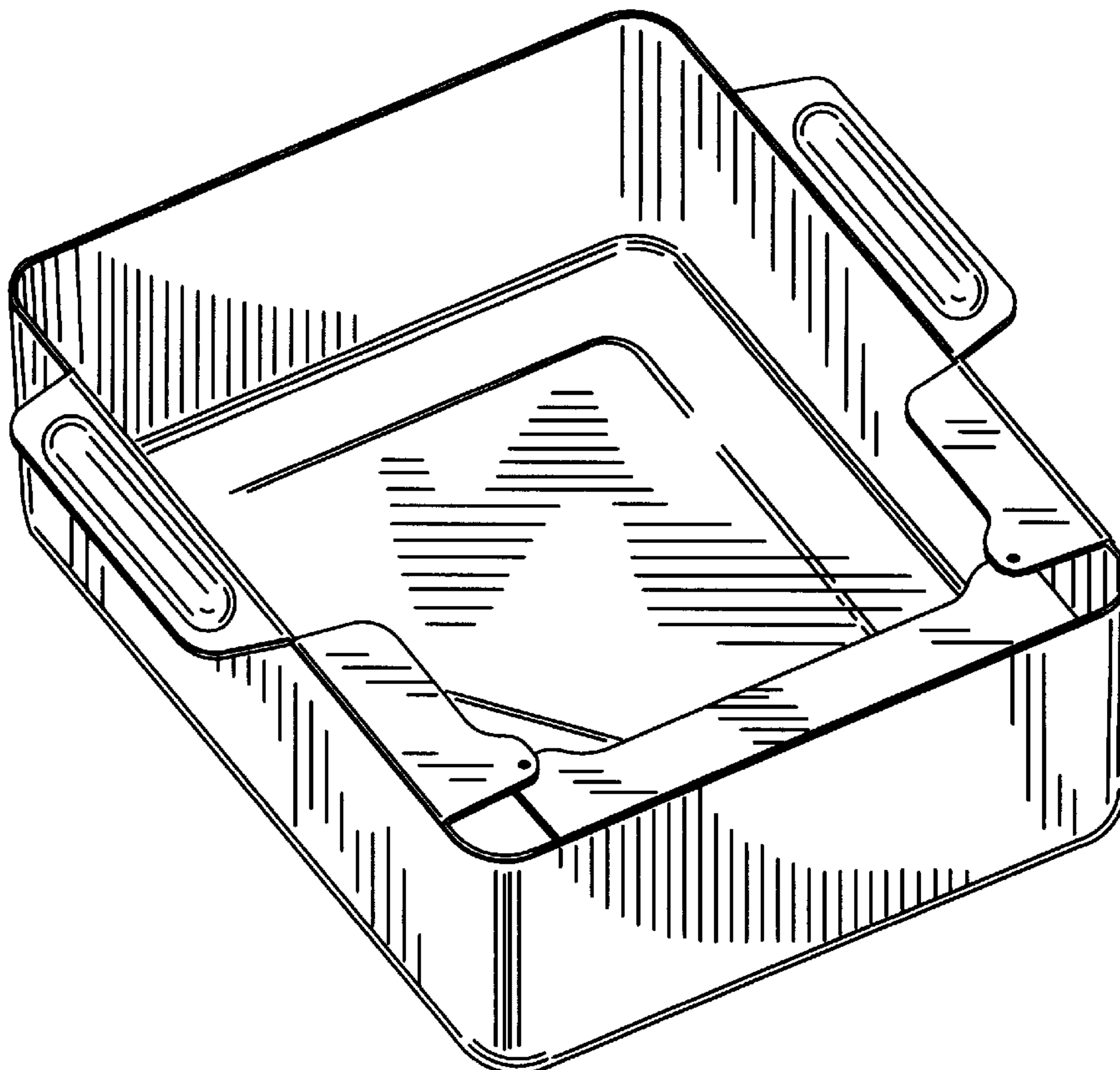


Fig. 1

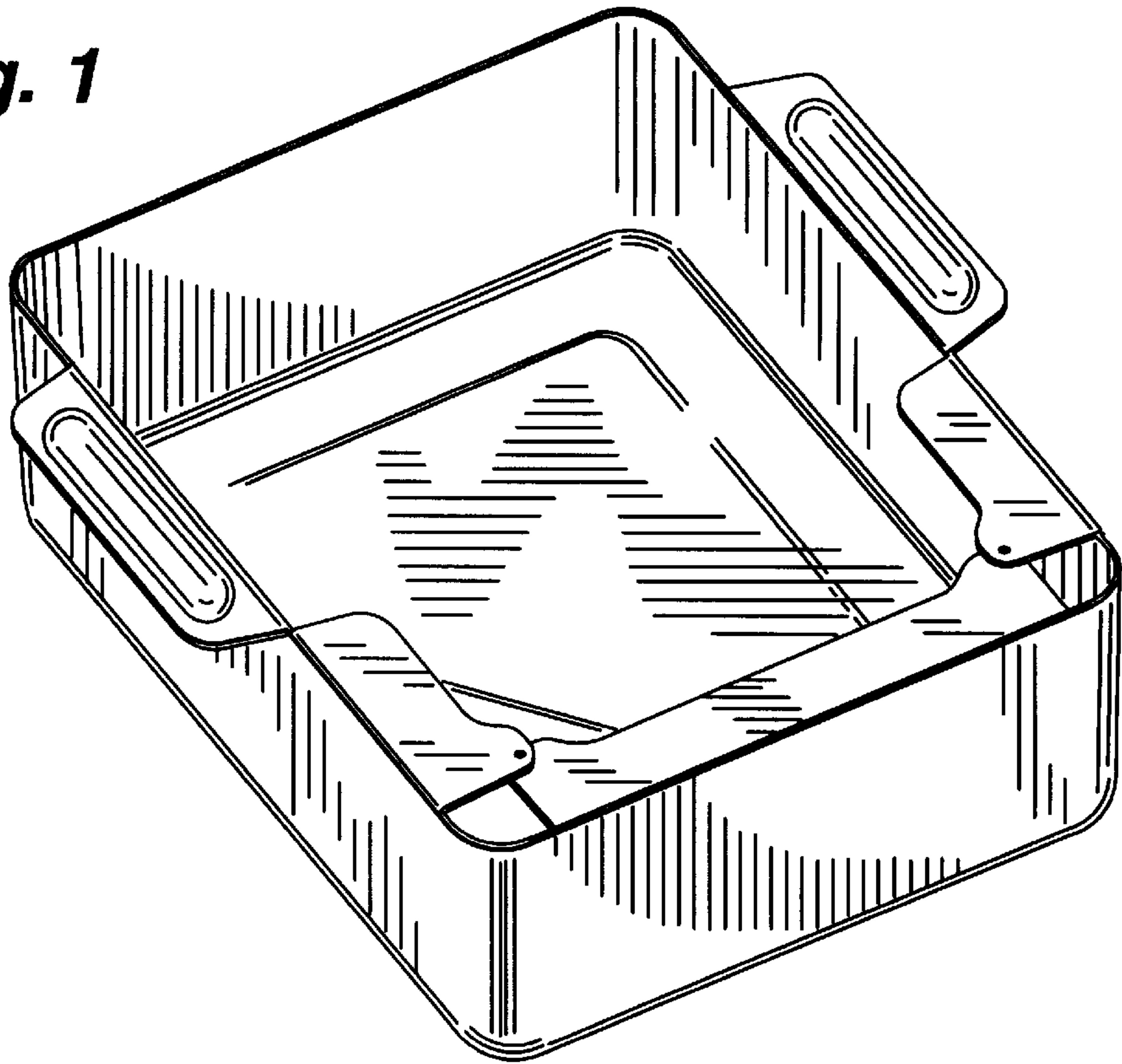


Fig. 2

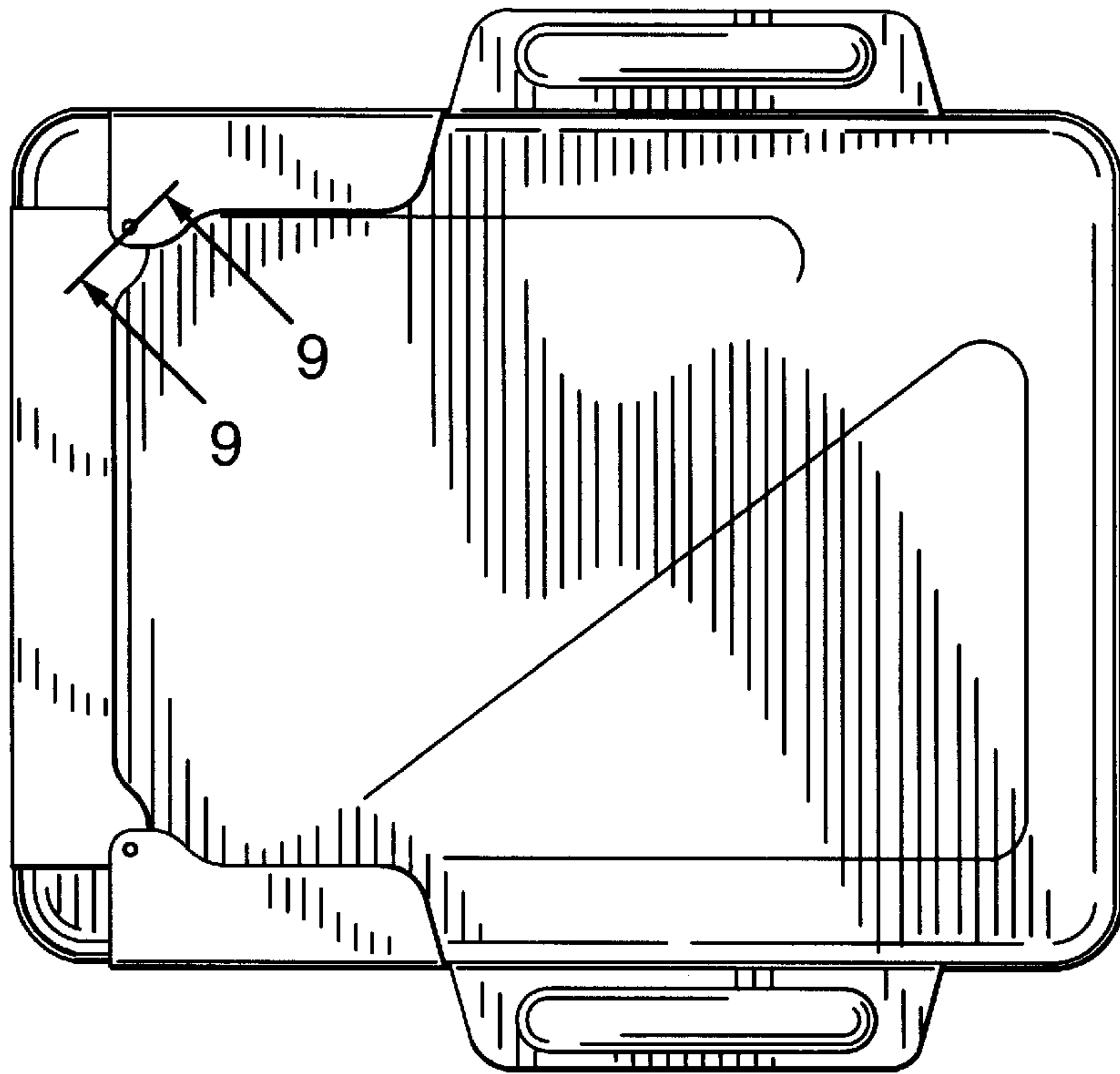


Fig. 3

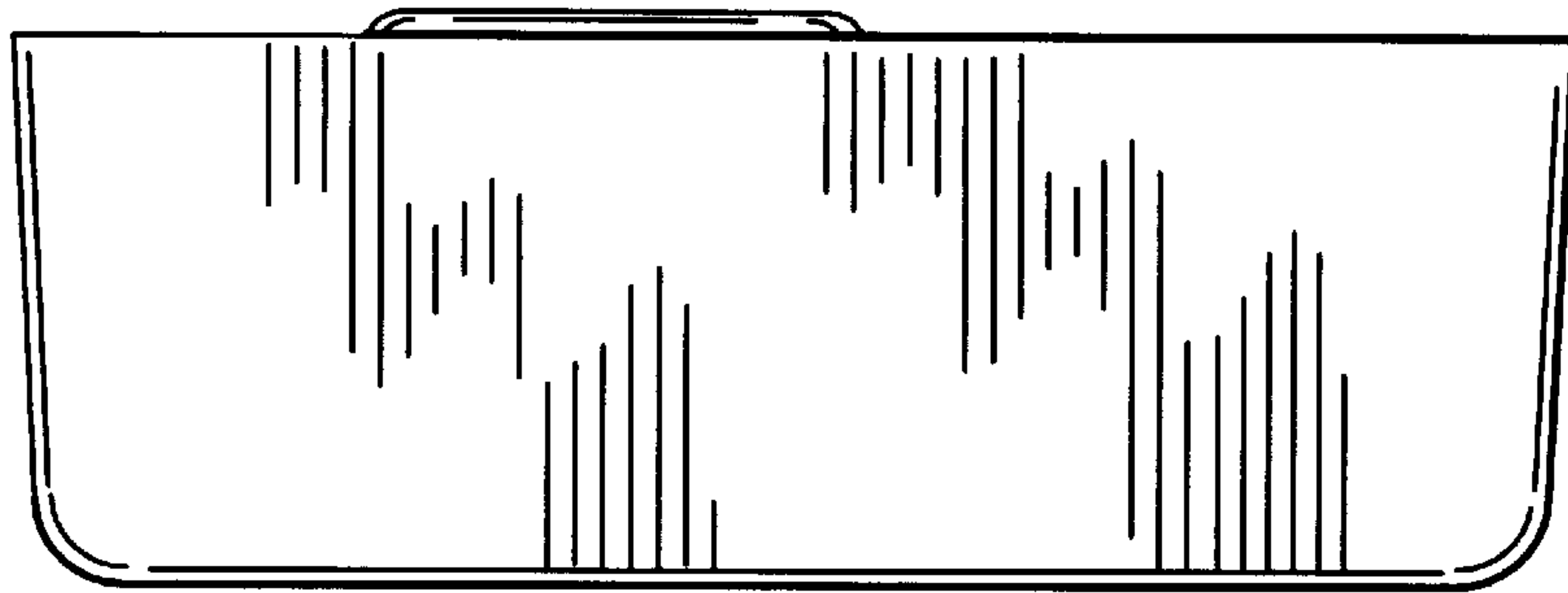


Fig. 4

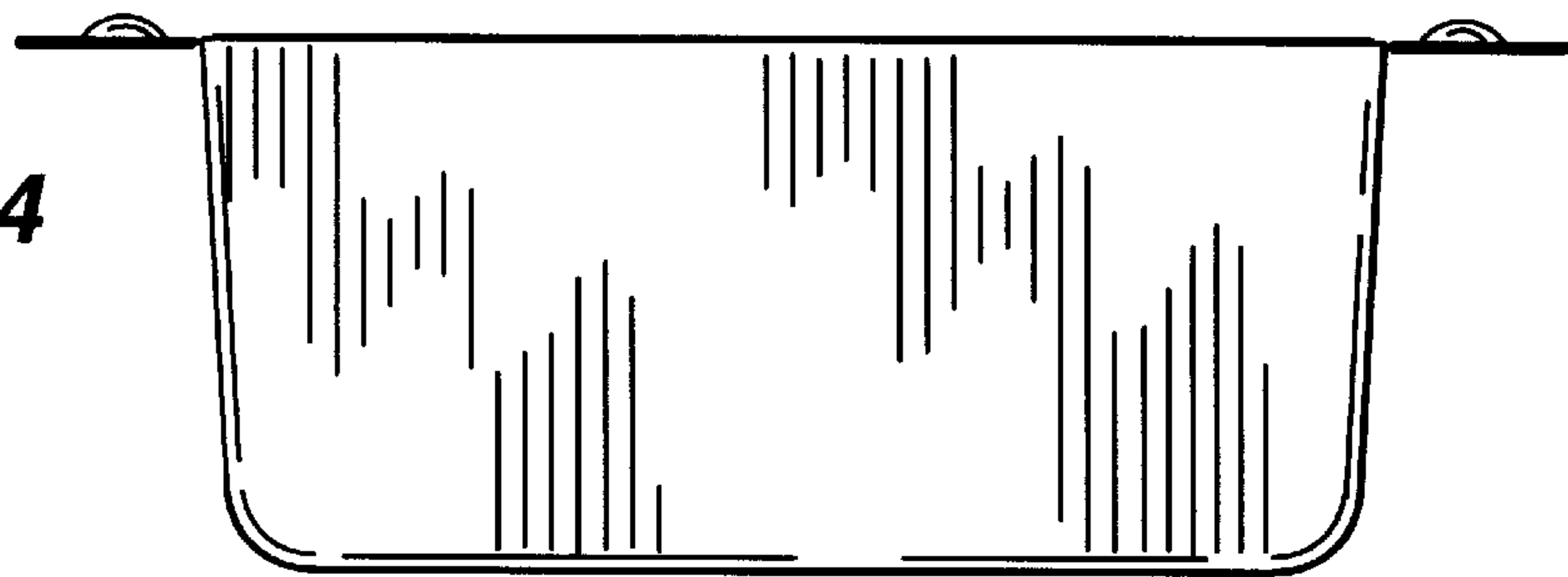


Fig. 5

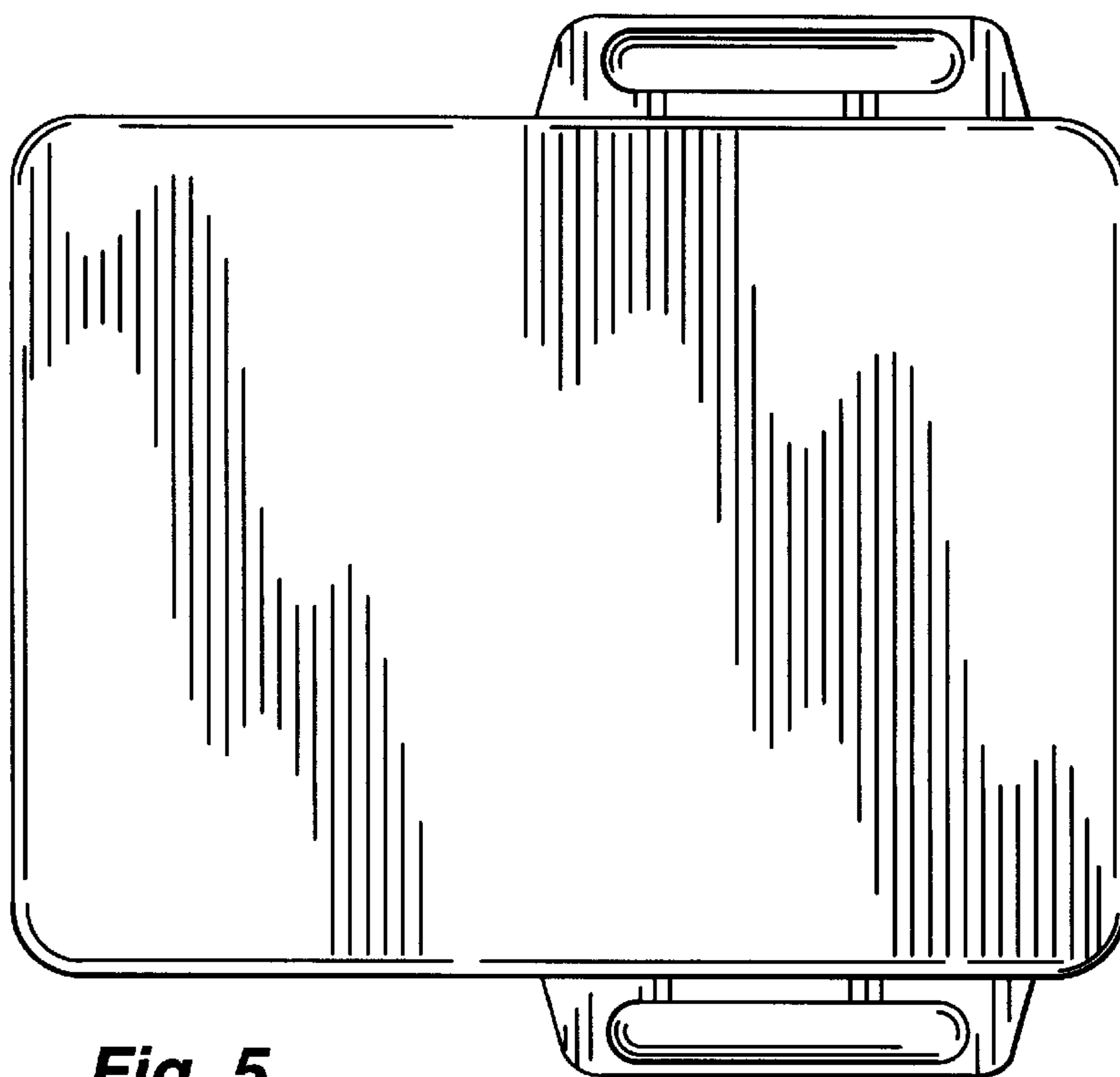


Fig. 6

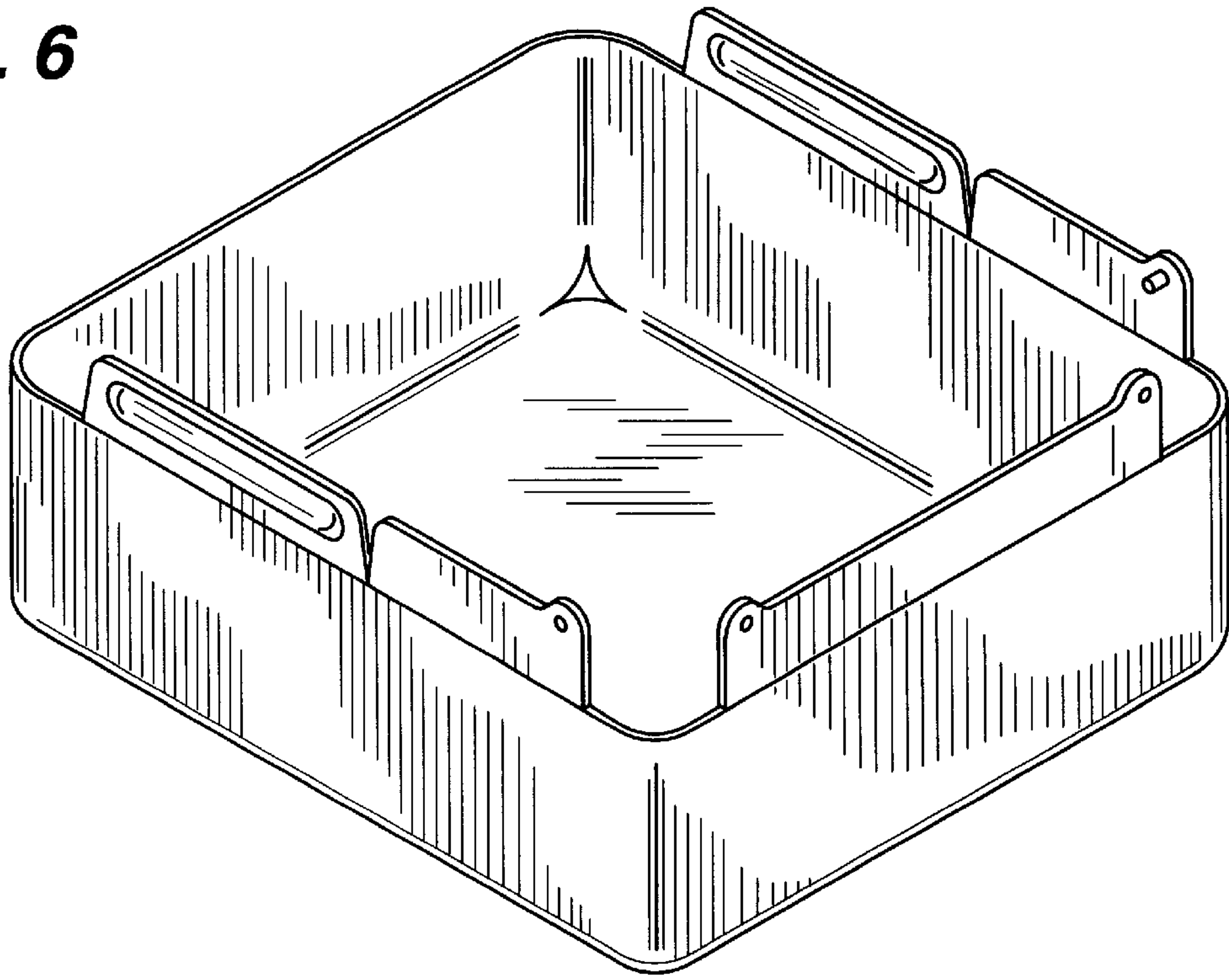


Fig. 7

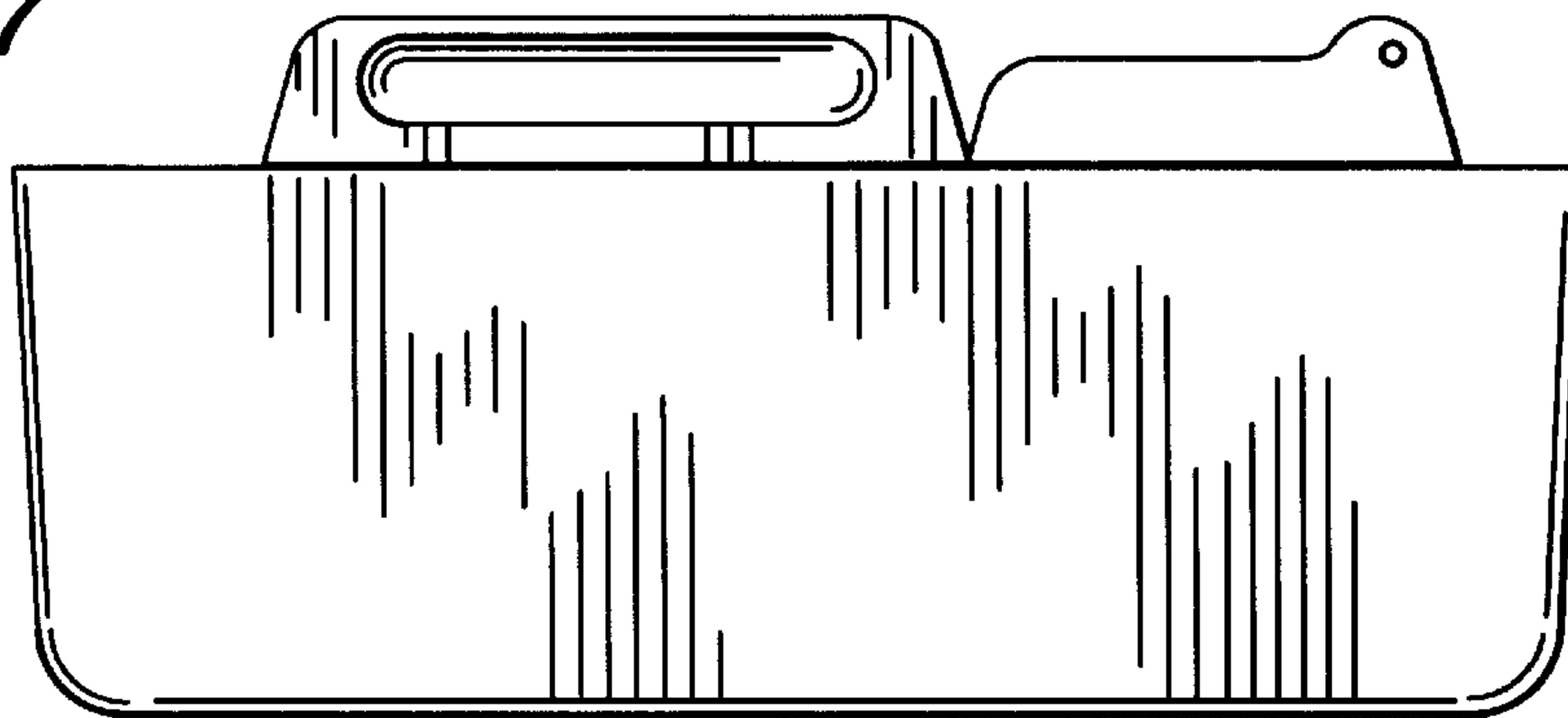


Fig. 8

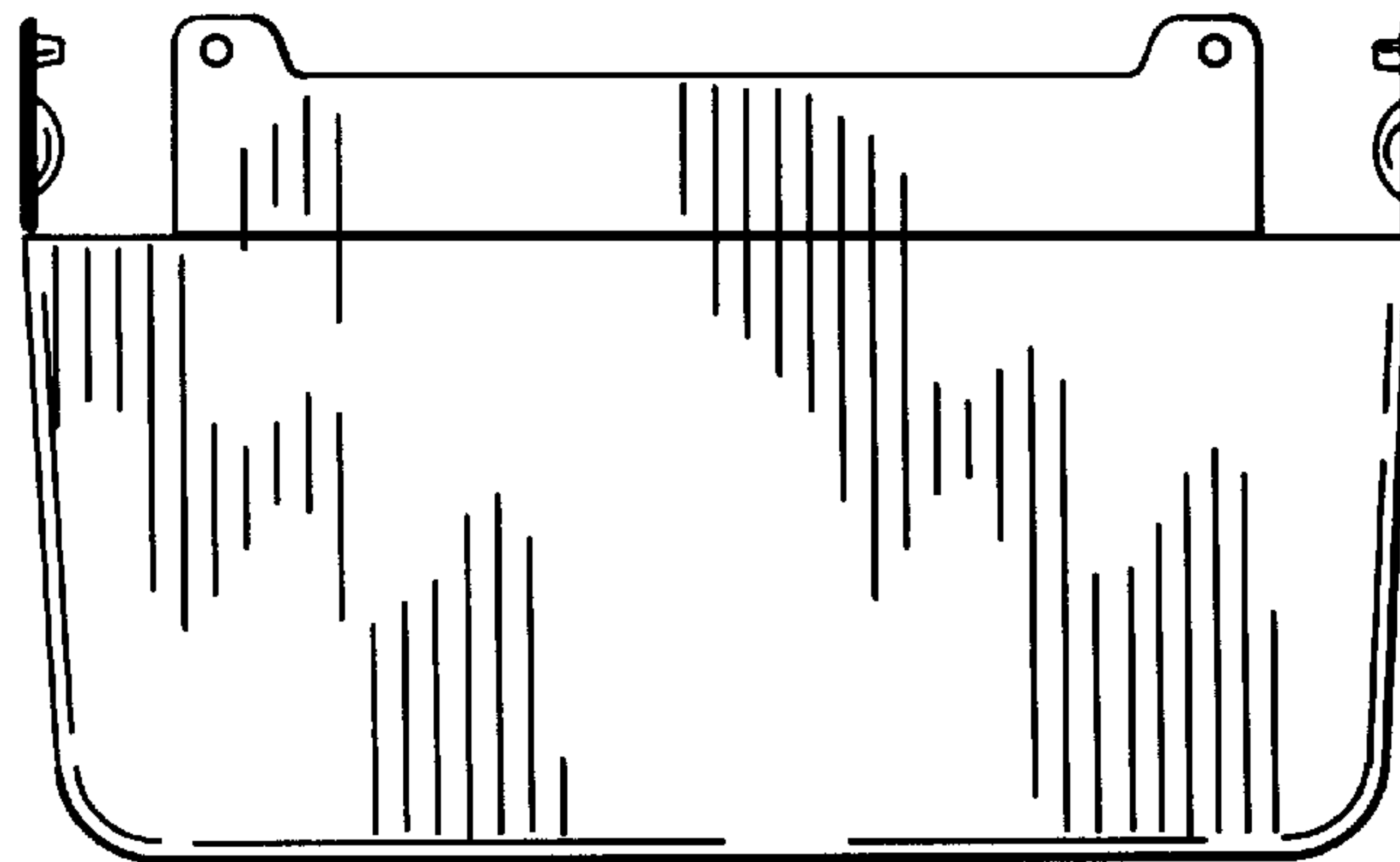


Fig. 9

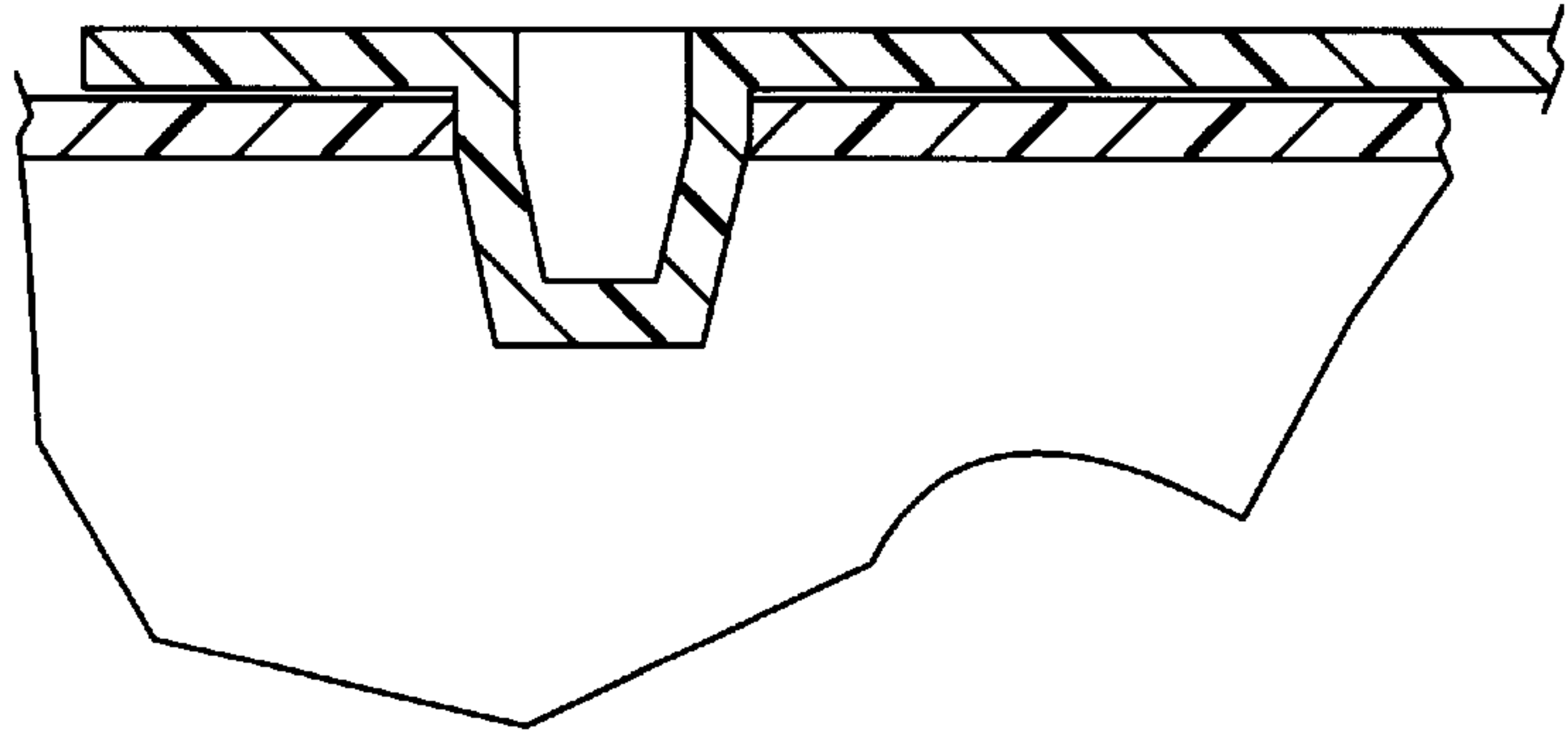


Fig. 10

