



US00D423526S

United States Patent [19]

[11] Patent Number: Des. 423,526

Brazell et al.

[45] Date of Patent: ** Apr. 25, 2000

[54] MITER SAW

[75] Inventors: **Kenneth M. Brazell**, Phoenix; **Michael A. Hershauer**, Gilbert, both of Ariz.

[73] Assignee: **Ryobi North America, Inc.**, Anderson, S.C.

[**] Term: **14 Years**

[21] Appl. No.: **29/103,307**

[22] Filed: **Apr. 13, 1999**

[51] **LOC (6) Cl.** **15-09**

[52] **U.S. Cl.** **D15/133**

[58] **Field of Search** D15/133; 83/397, 83/471.1, 471.2, 471.3, 477, 581

- D. 389,494 1/1998 Chen .
- D. 391,585 3/1998 Chen .
- D. 391,973 3/1998 Price et al. .
- D. 399,219 10/1998 Chang .
- D. 400,215 10/1998 Price et al. .
- 4,265,154 5/1981 Batson .
- 5,020,406 6/1991 Sasaki et al. .
- 5,046,390 9/1991 Sasaki .
- 5,063,802 11/1991 Shiotani et al. .
- 5,129,300 7/1992 Kawakami .
- 5,146,825 9/1992 Dehari .
- 5,181,448 1/1993 Terpstra .
- 5,370,025 12/1994 Itzov .
- 5,437,319 8/1995 Garuglieri .
- 5,445,056 8/1995 Folci .
- 5,524,516 6/1996 Sasaki et al. .
- 5,564,323 10/1996 Sasaki et al. .
- 5,623,860 4/1997 Schoene et al. .
- 5,638,731 6/1997 Garuglieri .
- 5,660,094 8/1997 Sasaki et al. .
- 5,752,422 5/1998 Inoue et al. .
- 5,778,747 7/1998 Chen .
- 5,802,943 9/1998 Brunson et al. .
- 5,819,619 10/1998 Miller et al. .
- 5,819,624 10/1998 Brault et al. .
- 5,823,085 10/1998 Kondo et al. .
- 5,829,333 11/1998 Itzov .

[56] References Cited

U.S. PATENT DOCUMENTS

- D. 287,694 1/1987 Miyamoto .
- D. 295,823 5/1988 Brickner, Jr. et al. .
- D. 305,542 1/1990 Miyamoto et al. .
- D. 306,031 2/1990 Ushiwata et al. .
- D. 317,110 5/1991 Arehart .
- D. 324,055 2/1992 Sakai et al. .
- D. 331,416 12/1992 Fushiya et al. .
- D. 334,576 4/1993 Kawakami et al. .
- D. 334,756 4/1993 Sakamoto et al. .
- D. 338,605 8/1993 Dehari .
- D. 346,173 4/1994 Price .
- D. 348,889 7/1994 Chang D15/133
- D. 351,393 10/1994 Sasaki et al. .
- D. 352,509 11/1994 Kriaski et al. .
- D. 352,948 11/1994 Chang D15/133
- D. 363,726 10/1995 Chang D15/133
- D. 374,803 10/1996 Terpstra et al. .
- D. 376,806 12/1996 Holly et al. .
- D. 381,667 7/1997 Itzov et al. .
- D. 383,472 9/1997 Higuchi et al. .
- D. 383,765 9/1997 Kani et al. .
- D. 388,442 12/1997 Shibata et al. .
- D. 388,443 12/1997 Kondo .

Primary Examiner—Antoine Duval Davis
Attorney, Agent, or Firm—Brooks & Kushman P.C.

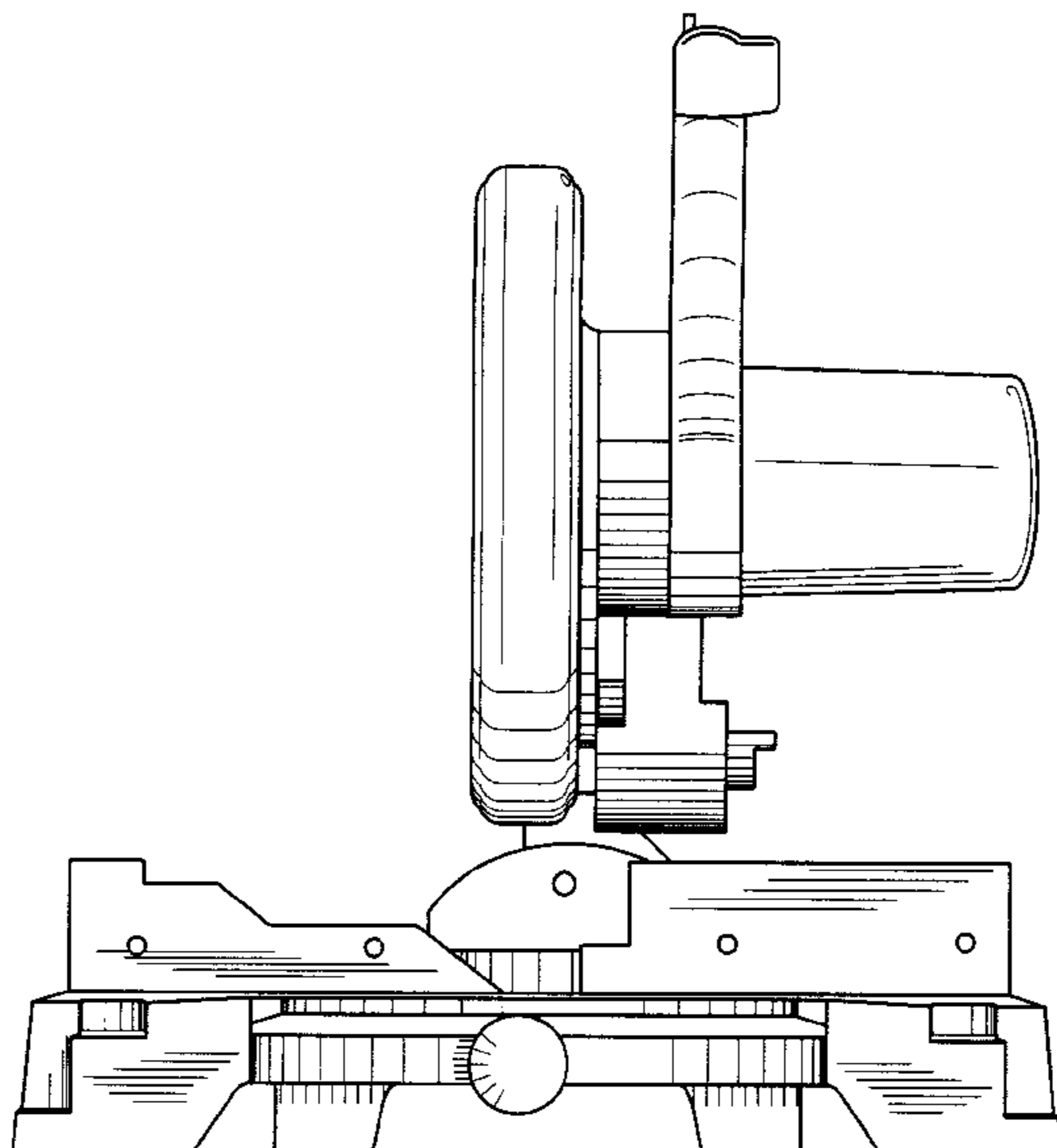
[57] CLAIM

The ornamental design for a miter saw, as shown and described.

DESCRIPTION

FIG. 1 is an upper front side view of the miter saw; FIG. 2 is a rear side perspective view; FIG. 3 is a right end view; FIG. 4 is a left end view; FIG. 5 is a top plan view; and, FIG. 6 is a bottom plan view.

1 Claim, 3 Drawing Sheets



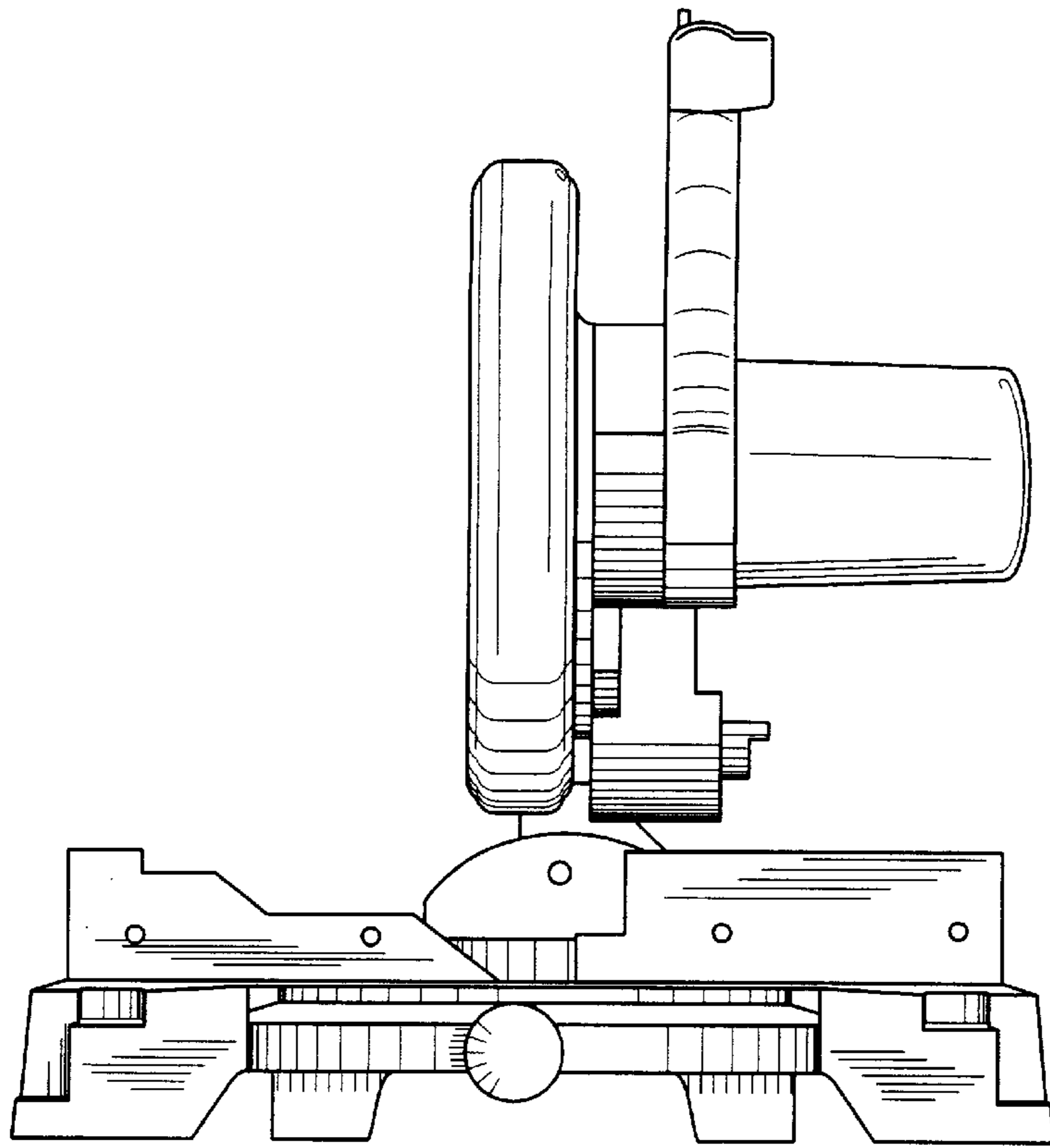


FIG. - 1

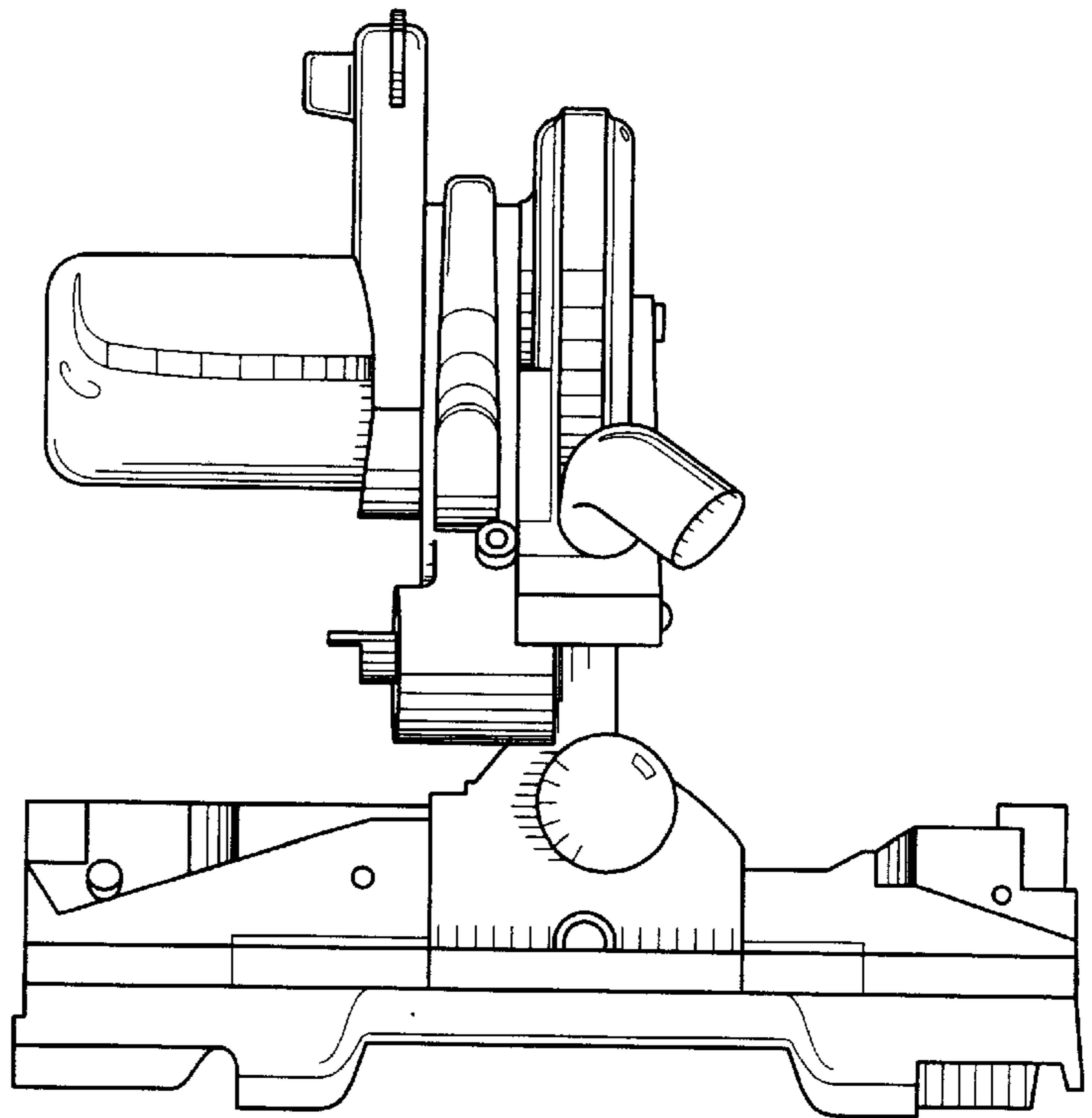


FIG. - 2

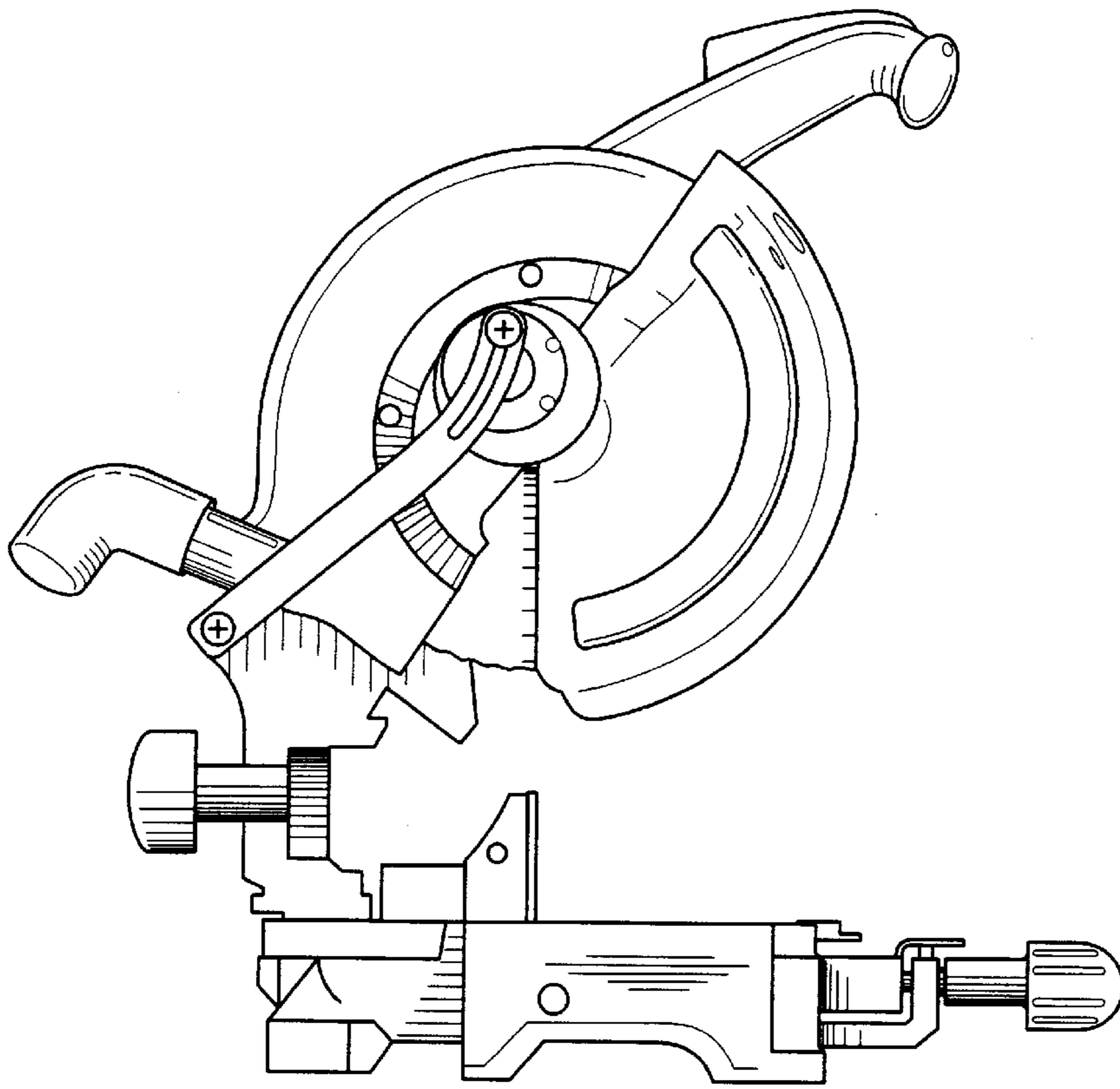


FIG. - 3

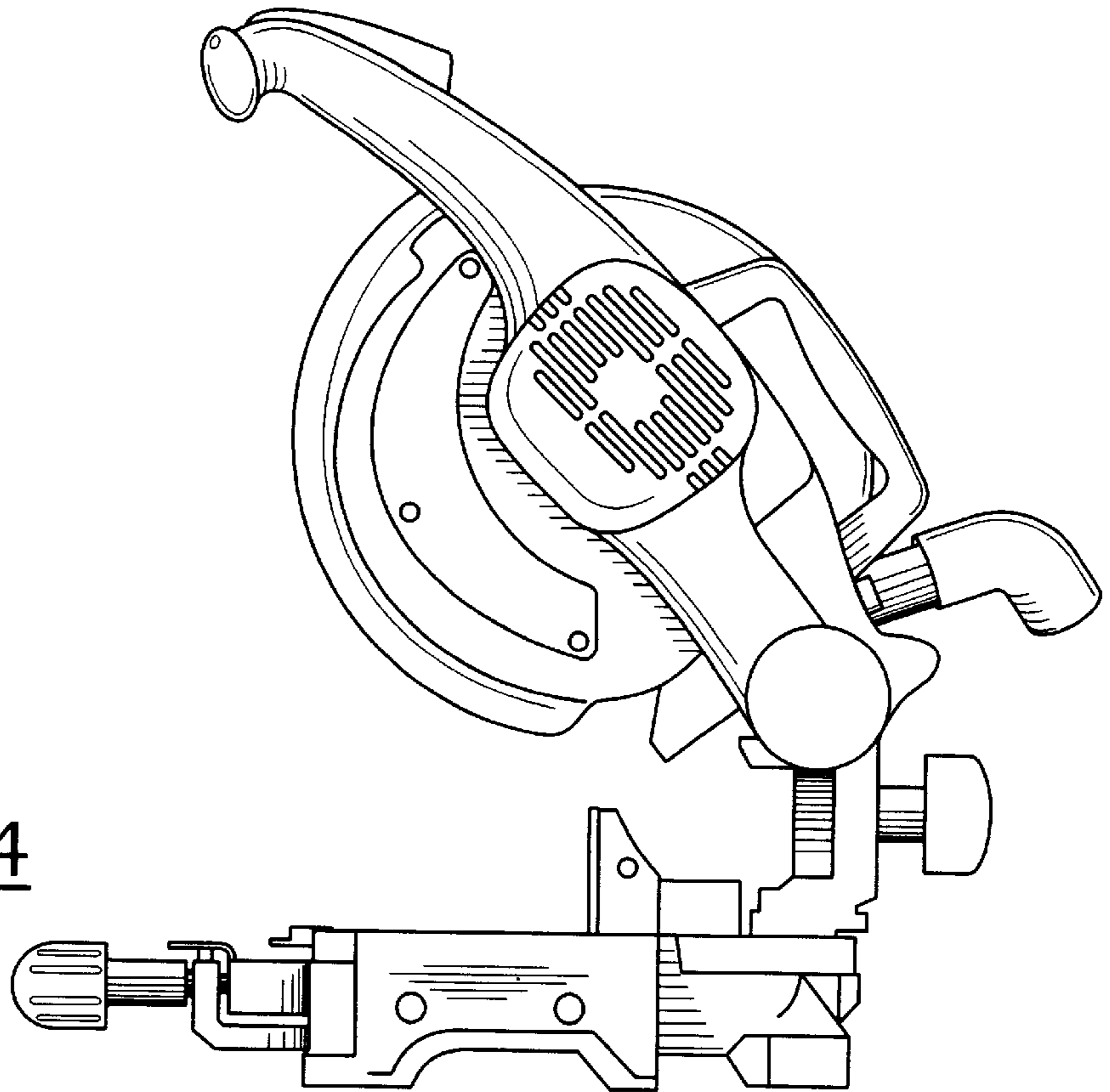


FIG. - 4

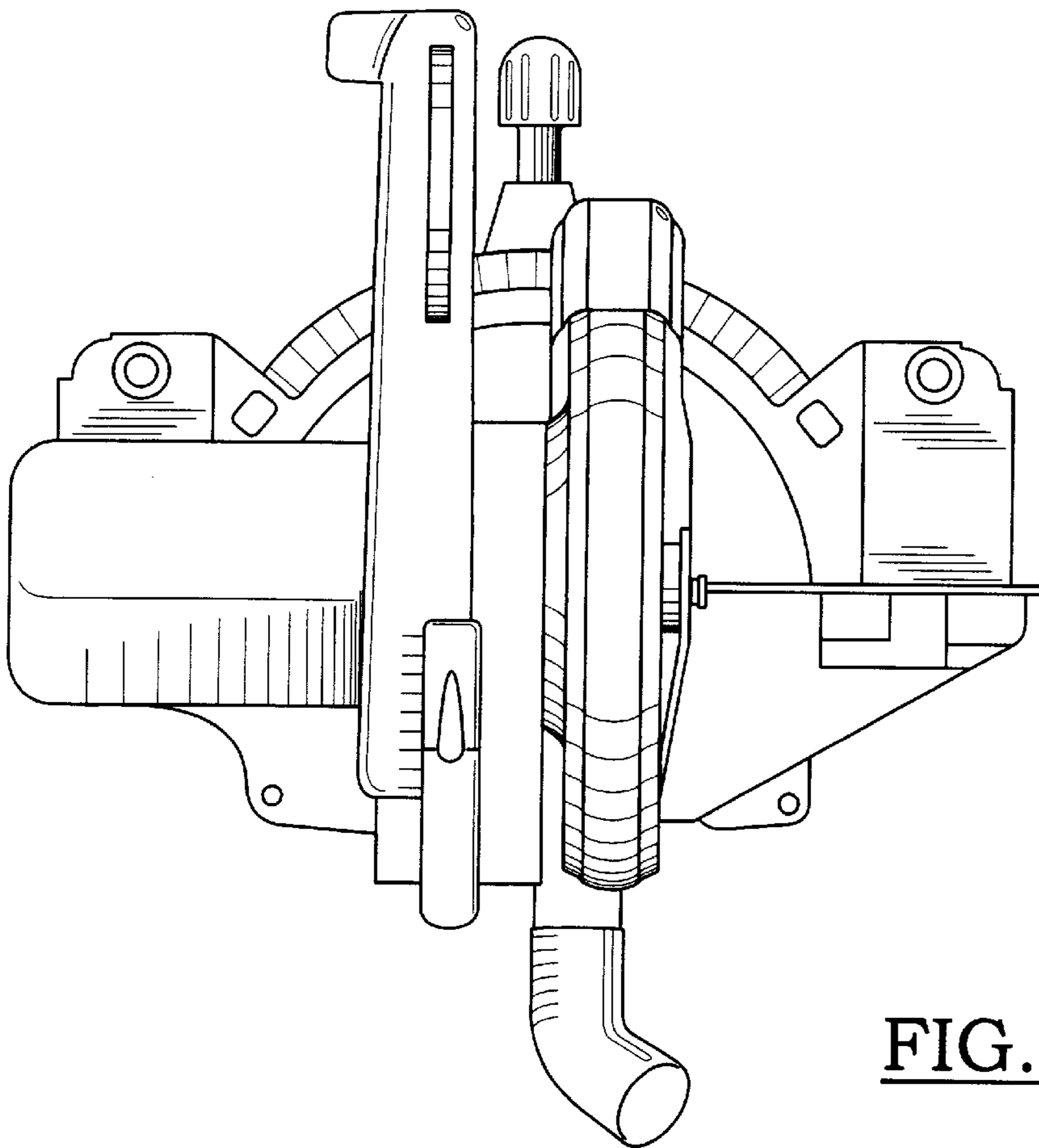


FIG. - 5

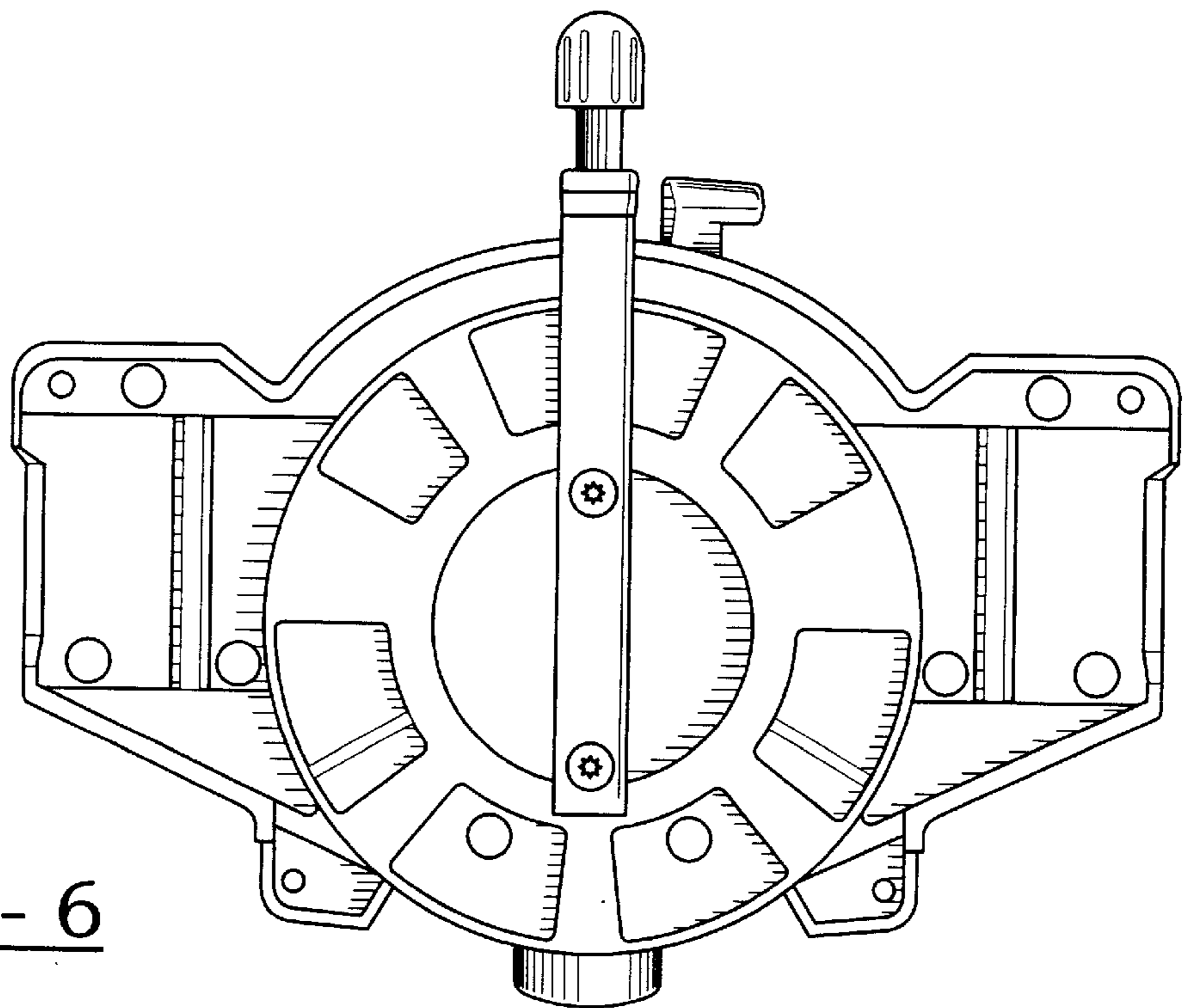


FIG. - 6