



US00D423525S

United States Patent [19]

Brazell et al.

[11] Patent Number: Des. 423,525

[45] Date of Patent: ** Apr. 25, 2000

[54] SCROLL SAW

[75] Inventors: **Kenneth M. Brazell**, Phoenix; **Michael A. Hershauer**, Gilbert, both of Ariz.

[73] Assignee: **Ryobi North America, Inc.**, Anderson, S.C.

[**] Term: **14 Years**

[21] Appl. No.: **29/103,304**

[22] Filed: **Apr. 13, 1999**

[51] **LOC (6) Cl.** **15-09**

[52] **U.S. Cl.** **D15/133**

[58] **Field of Search** D15/133; 83/783-786

[56] References Cited

U.S. PATENT DOCUMENTS

- D. 290,369 6/1987 Eccardt et al. .
- D. 292,713 11/1987 Miller .
- D. 327,279 6/1992 Brickner et al. .
- D. 366,881 2/1996 Eccardt et al. .
- D. 374,676 10/1996 Brickner, Jr. et al. .
- D. 388,441 12/1997 Chung .
- D. 392,984 3/1998 Armstrong .
- D. 395,323 6/1998 Welsh .
- D. 395,324 6/1998 Welsh .
- D. 396,050 7/1998 Welsh .

- D. 397,124 8/1998 Welsh .
- D. 397,343 8/1998 Chen .
- D. 400,897 11/1998 Huang-Sung .
- D. 402,671 12/1998 Welsh .
- D. 402,673 12/1998 Welsh .
- 4,619,171 10/1986 Miller .
- 5,176,059 1/1993 Anderson .
- 5,197,369 3/1993 Steiner .
- 5,228,376 7/1993 Huang .
- 5,327,807 7/1994 Chang .
- 5,684,388 11/1997 Theising et al. .
- 5,694,825 12/1997 Chang .
- 5,768,971 6/1998 O'Banion et al. .
- 5,778,752 7/1998 Chen .

Primary Examiner—Antoine Duval Davis
Attorney, Agent, or Firm—Brooks & Kushman P.C.

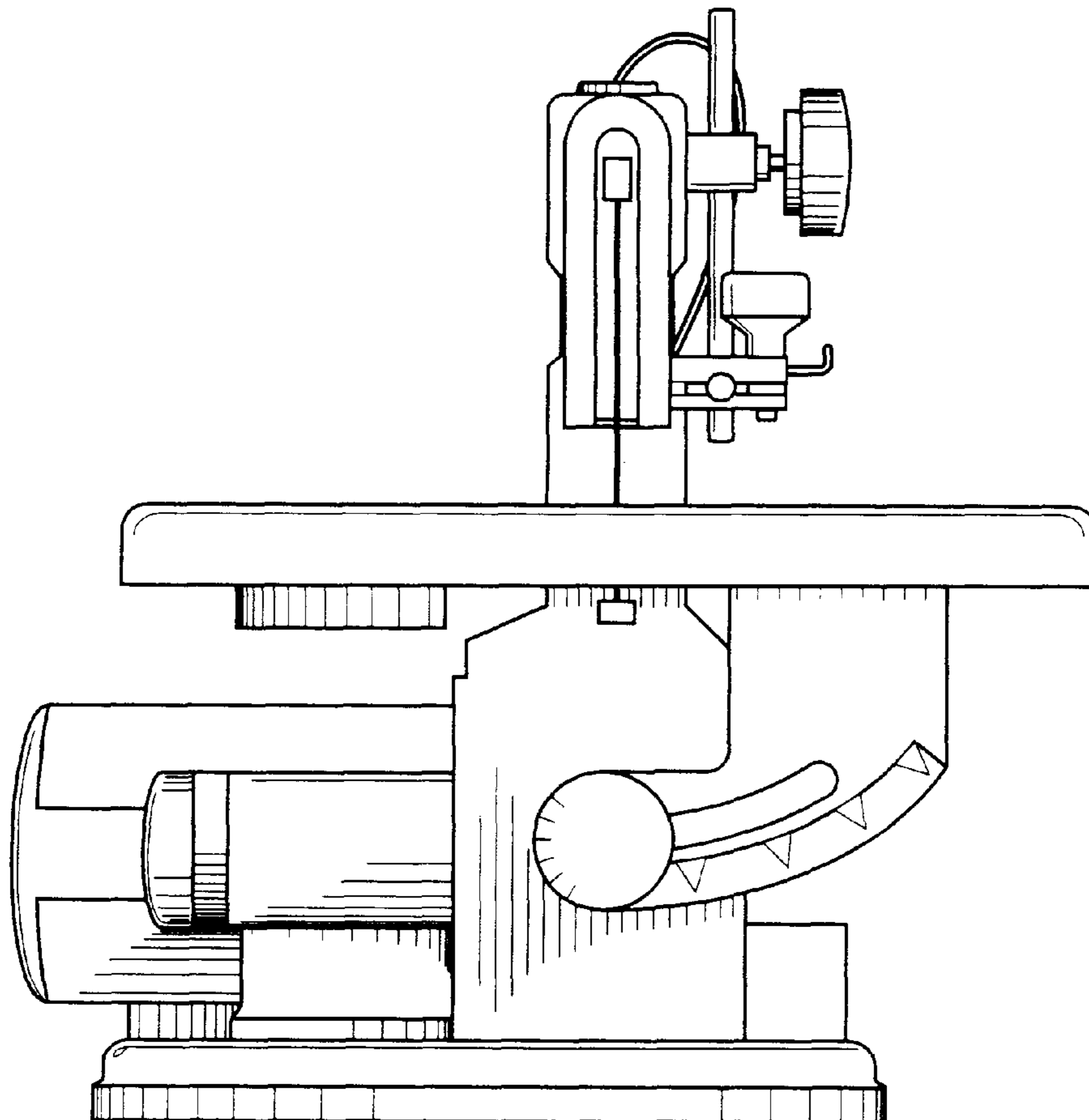
[57] CLAIM

The ornamental design for a scroll saw, as shown and described.

DESCRIPTION

FIG. 1 is an upper front side view of the band saw; FIG. 2 is a rear side perspective view; FIG. 3 is a right end view; FIG. 4 is a left end view; FIG. 5 is a top plan view; and, FIG. 6 is a bottom plan view.

1 Claim, 3 Drawing Sheets



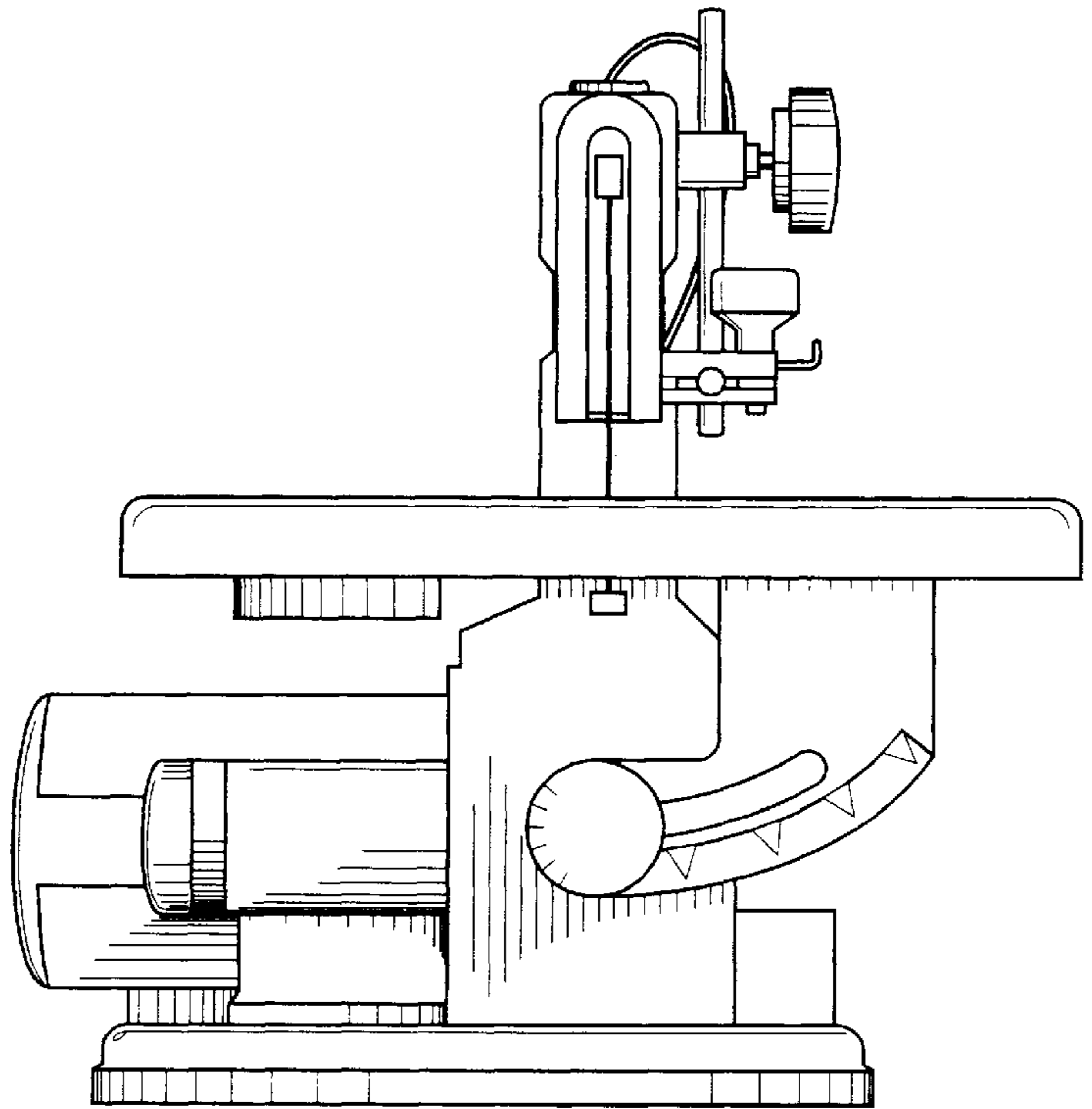


FIG. - 1

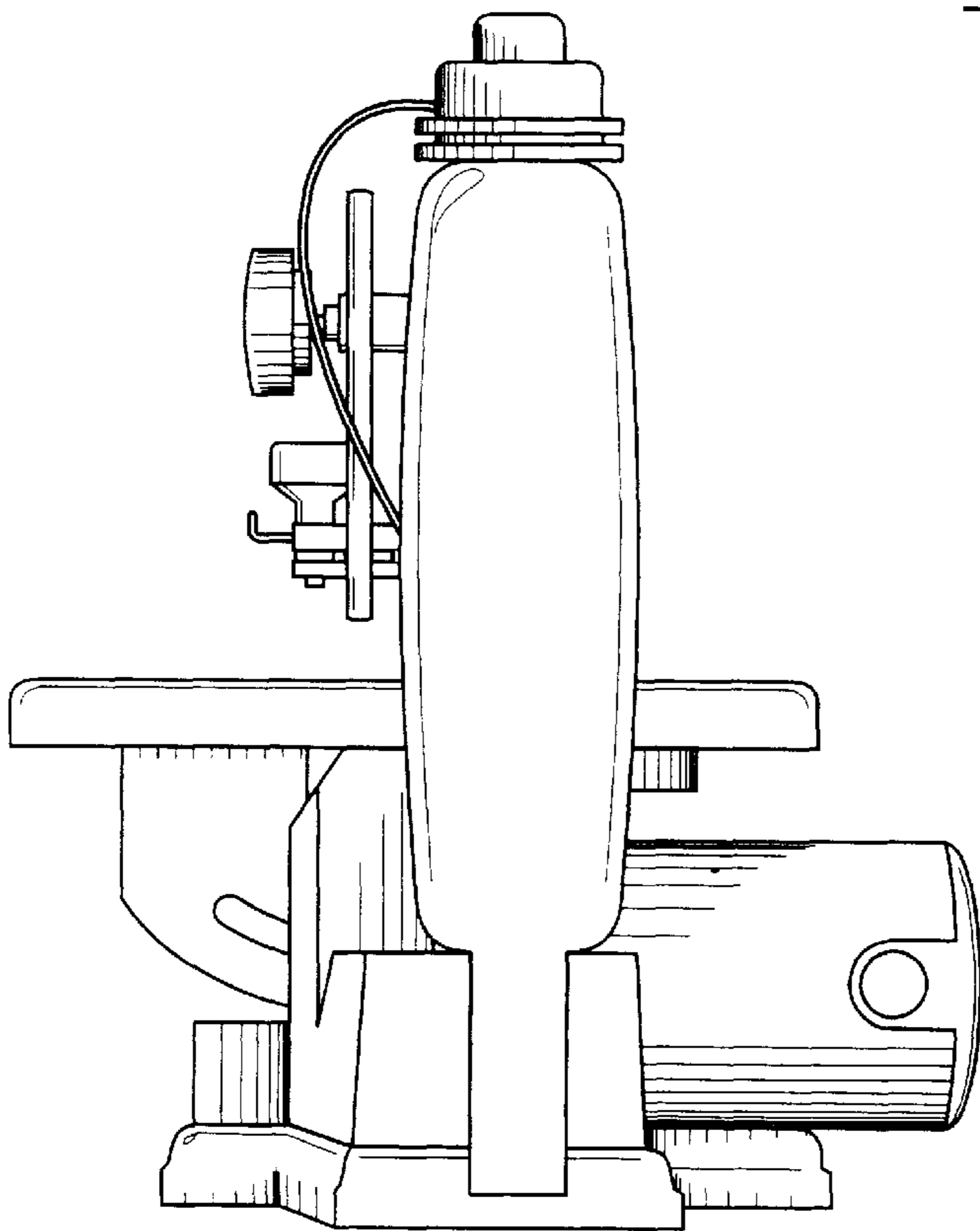


FIG. - 2

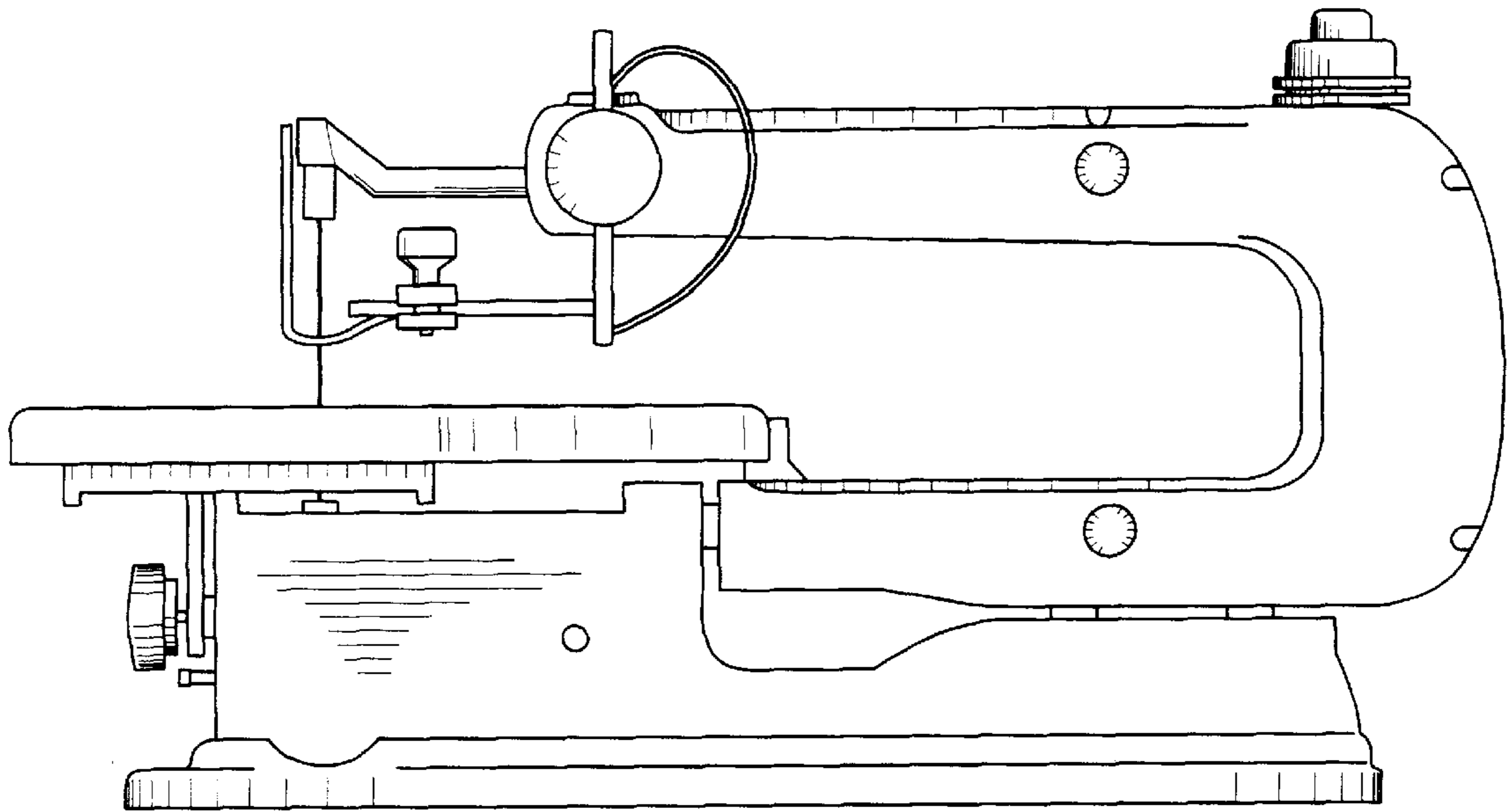


FIG. - 3

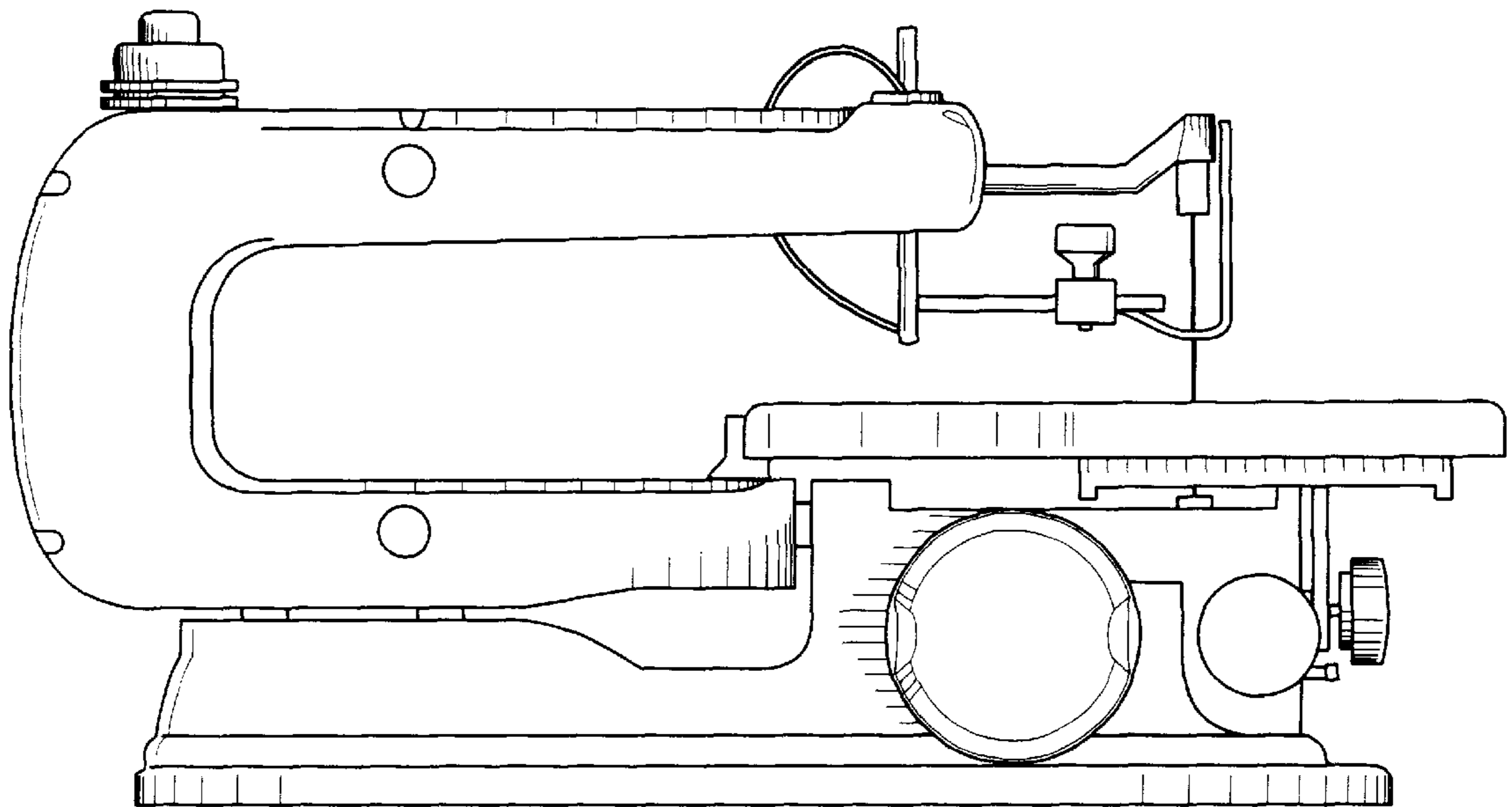


FIG. - 4

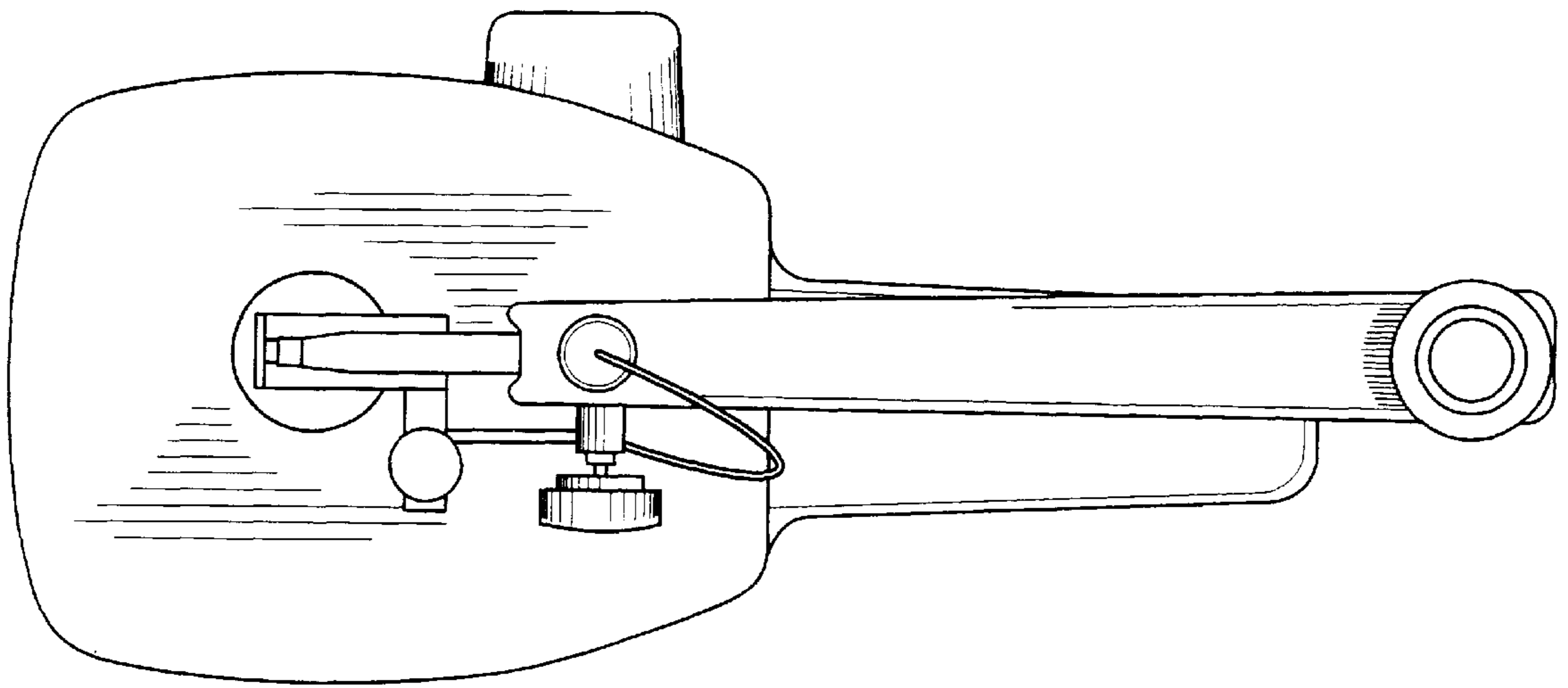


FIG. - 5

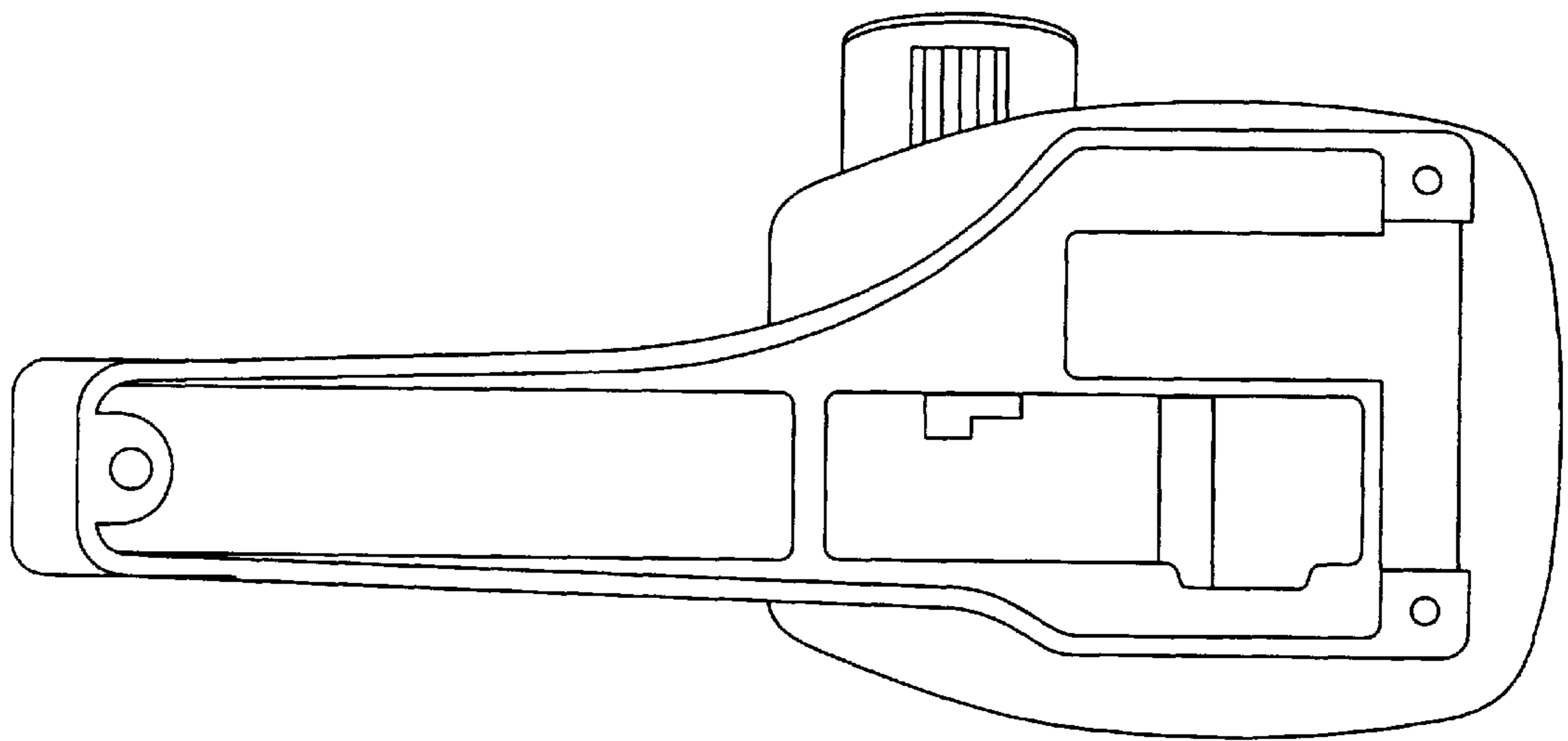


FIG. - 6