



US00D423524S

United States Patent [19]

Engelfried et al.

[11] Patent Number: Des. 423,524

[45] Date of Patent: ** Apr. 25, 2000

[54] CUTTING TABLE

[75] Inventors: **Uwe Engelfried**, Ostfildern; **Peter Aglassinger**, Esslingen; **Siegfried Keusch**, Deizisau, all of Germany

[73] Assignee: **Robert Bosch GmbH**, Stuttgart, Germany

[**] Term: **14 Years**

[21] Appl. No.: **29/099,933**

[22] Filed: **Feb. 1, 1999**

[30] Foreign Application Priority Data

Jul. 31, 1998 [DE] Germany 498 07 635

[51] LOC (6) Cl. **15-09**

[52] U.S. Cl. **D15/133**

[58] Field of Search D15/133; 83/397, 83/471.1, 471.2, 471.3, 477, 581, 522.18, 766

[56] References Cited

U.S. PATENT DOCUMENTS

1,633,409	6/1927	Hoover et al.	83/766
1,653,386	12/1927	Beyland	83/766
5,259,286	11/1993	Chen	83/766

Primary Examiner—Antoine Duval Davis
Attorney, Agent, or Firm—Michael J. Striker

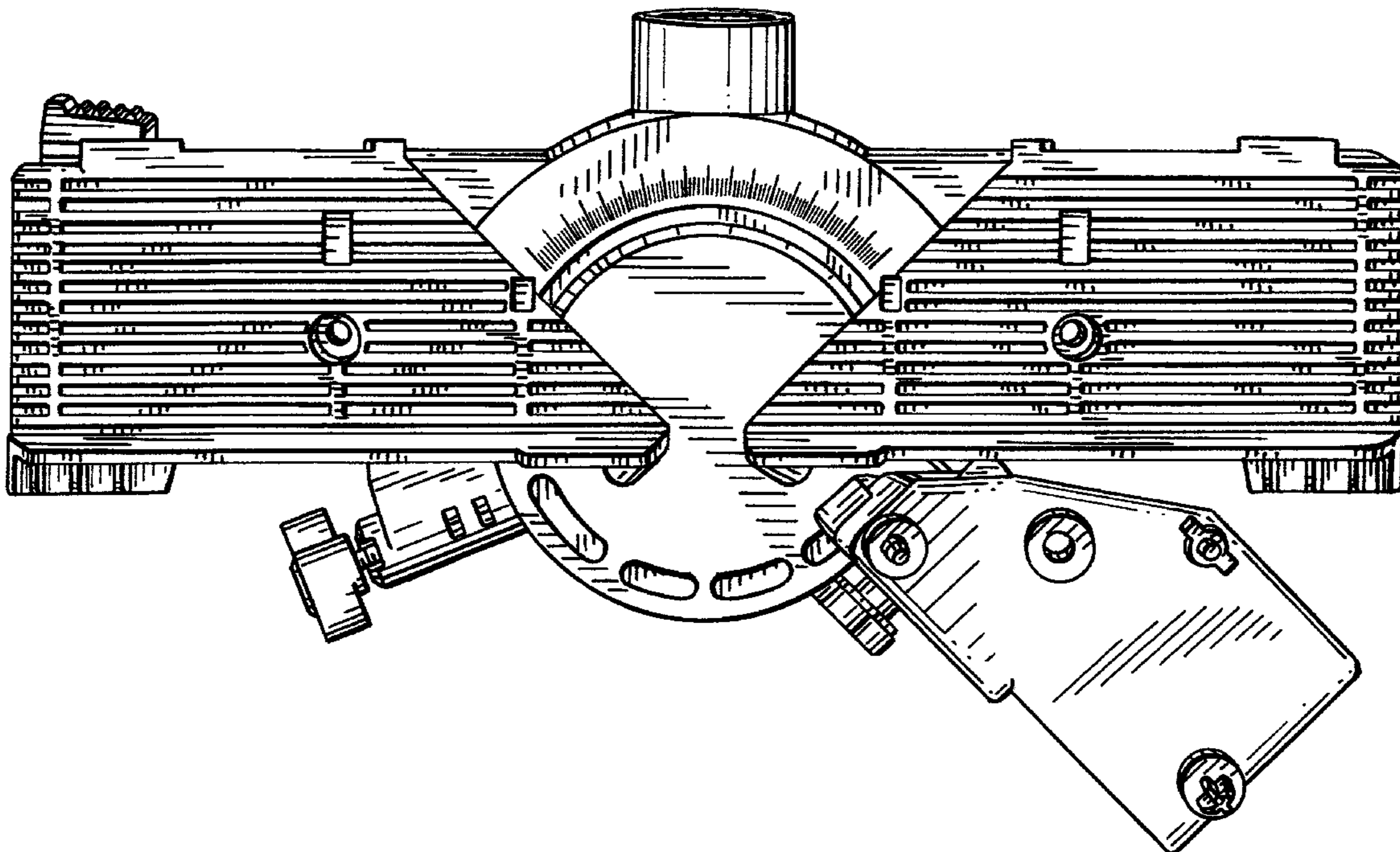
[57] CLAIM

The ornamental design for a cutting table, as shown and described.

DESCRIPTION

FIG. 1 is a top plan and left side perspective view of a cutting table showing our new design; FIG. 2 is a right side view thereof; FIG. 3 is a top plan view thereof; FIG. 4 is a bottom plan view thereof; FIG. 5 is a rear view thereof; and, FIG. 6 is a front view thereof.

1 Claim, 6 Drawing Sheets



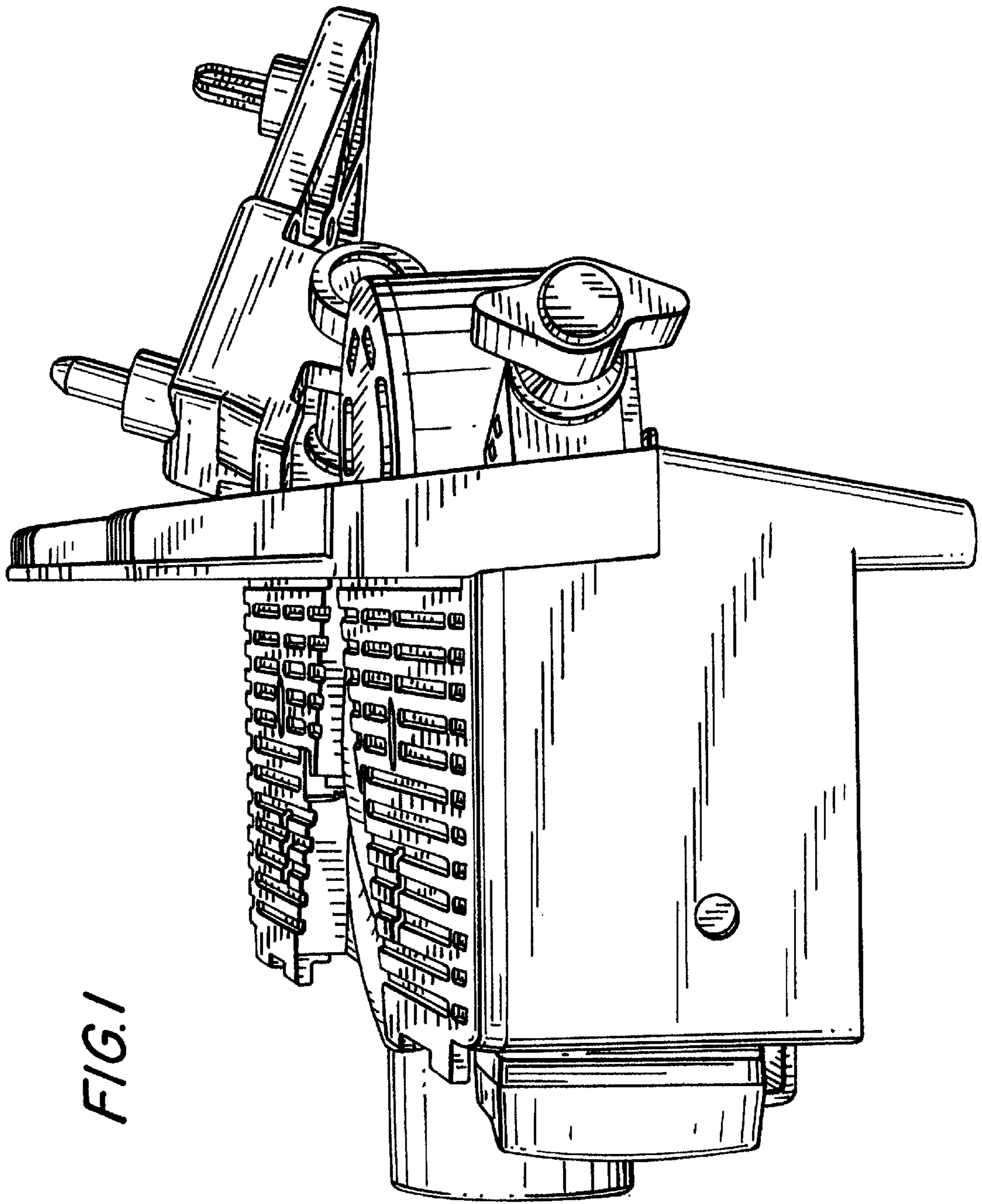


FIG. 1

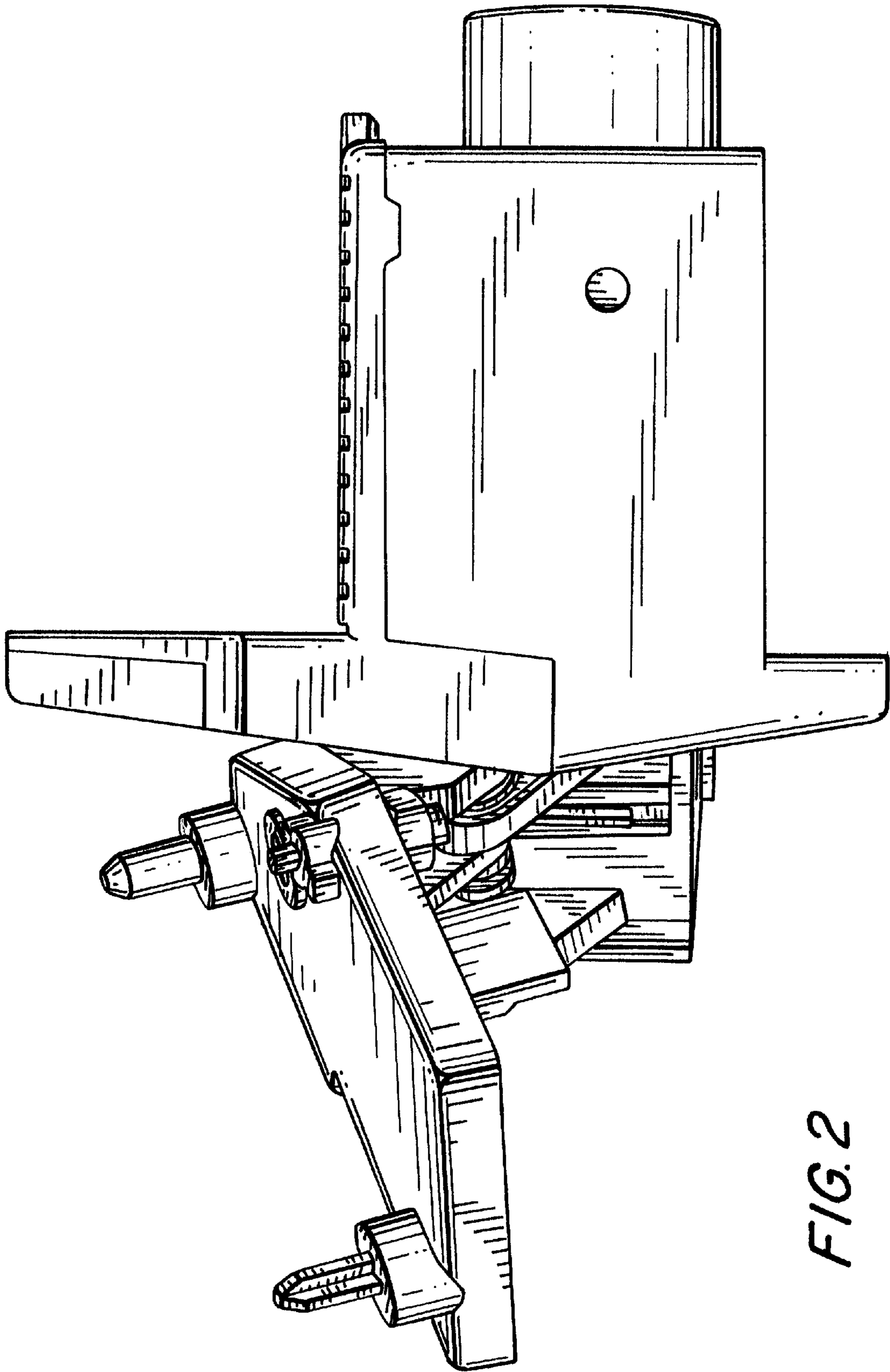


FIG. 2

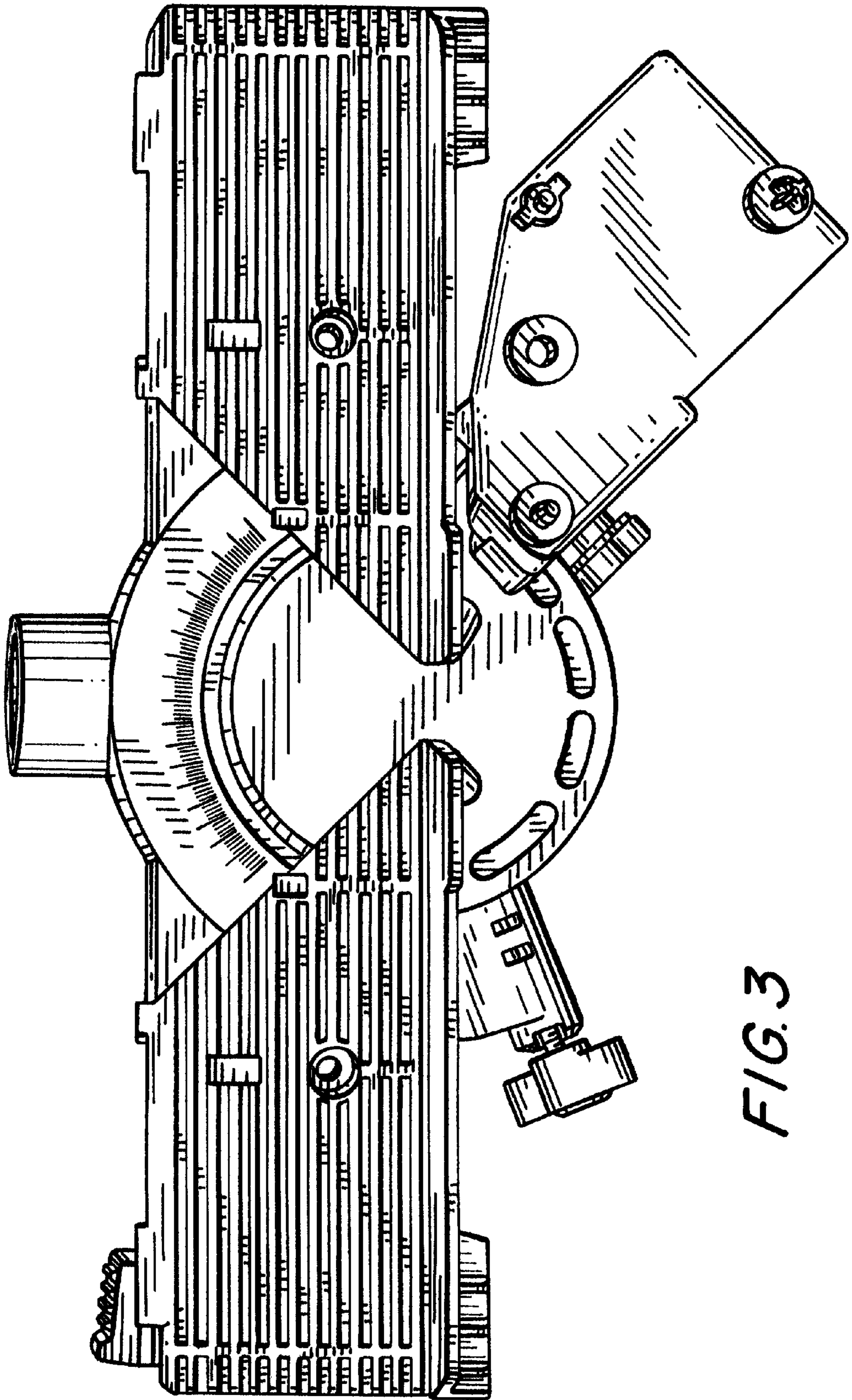
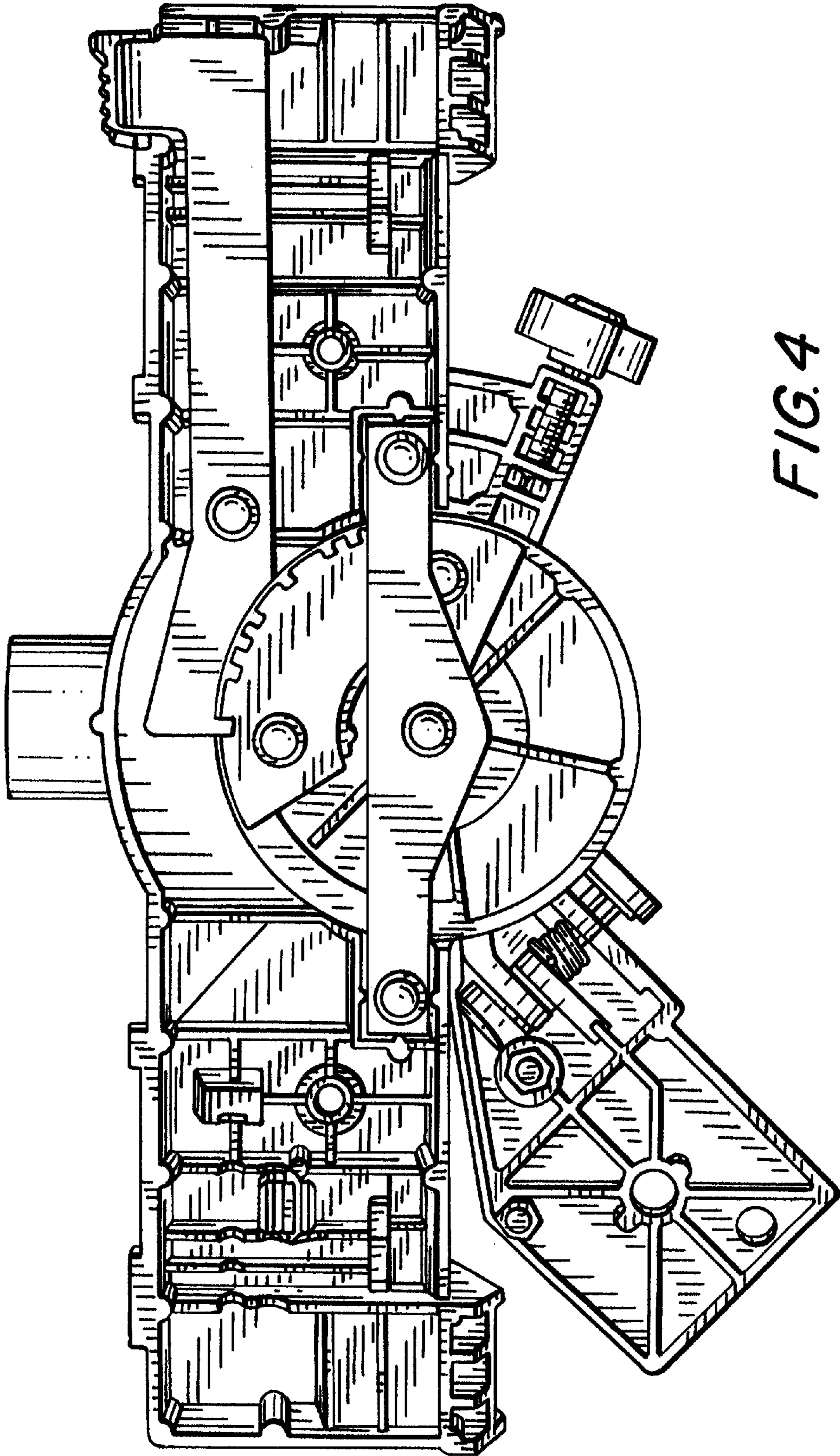


FIG. 3



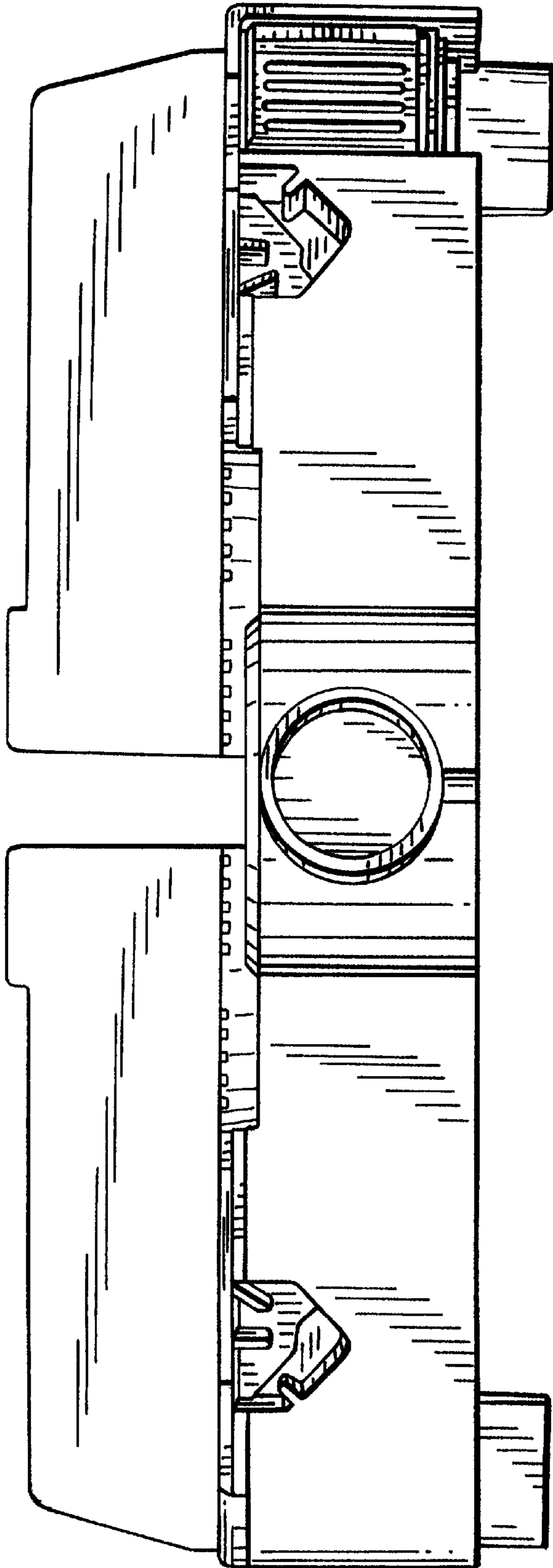


FIG. 5

FIG. 6

