



US00D423523S

United States Patent [19]

[11] **Patent Number: Des. 423,523**

Hollinger et al.

[45] **Date of Patent: ** Apr. 25, 2000**

[54] **MORTISING APPARATUS**

DESCRIPTION

- [75] Inventors: **David N. Hollinger**, Glenshaw;
Andrew V. Bondi, Natrona Heights,
both of Pa.
- [73] Assignee: **Delta International Machinery Corp.**,
Pittsburgh, Pa.
- [**] Term: **14 Years**
- [21] Appl. No.: **29/104,449**
- [22] Filed: **May 5, 1999**
- [51] **LOC (6) Cl.** **15-09**
- [52] **U.S. Cl.** **D15/132**
- [58] **Field of Search** D15/132; 33/430;
83/468; 144/253.1, 253.2, 253.5; 384/40;
403/381

FIG. 1 is a first perspective view, taken from the front and to the left, of a first embodiment of the mortising apparatus of the present invention;
 FIG. 2 is a second perspective view, taken from the front and to the right, of the embodiment shown in FIG. 1;
 FIG. 3 is a front elevational view of the embodiment shown in FIG. 1;
 FIG. 4 is a right side elevational view of the embodiment shown in FIG. 1;
 FIG. 5 is a left side elevational view of the embodiment shown in FIG. 1;
 FIG. 6 is rear elevational view of the embodiment shown in FIG. 1;
 FIG. 7 is a third perspective view, taken from the rear and to the right, of the embodiment shown in FIG. 1;
 FIG. 8 is a first perspective view, taken from the front and to the left, of a second embodiment of the mortising apparatus of the present invention;
 FIG. 9 is second perspective view, taken from the front and to the right, of the embodiment shown in FIG. 8;
 FIG. 10 is a front elevational view of the embodiment shown in FIG. 8;
 FIG. 11 is a right side elevational view of the embodiment shown in FIG. 8;
 FIG. 12 is a left side elevational view of the embodiment shown in FIG. 8;
 FIG. 13 is rear elevational view of the embodiment shown in FIG. 8; and,
 FIG. 14 is a third perspective view, taken from the rear and to the right, of the embodiment shown in FIG. 8.
 The broken line showing of a drill press is for illustrative purposes only and forms no part of the claimed design.

[56] **References Cited**

U.S. PATENT DOCUMENTS

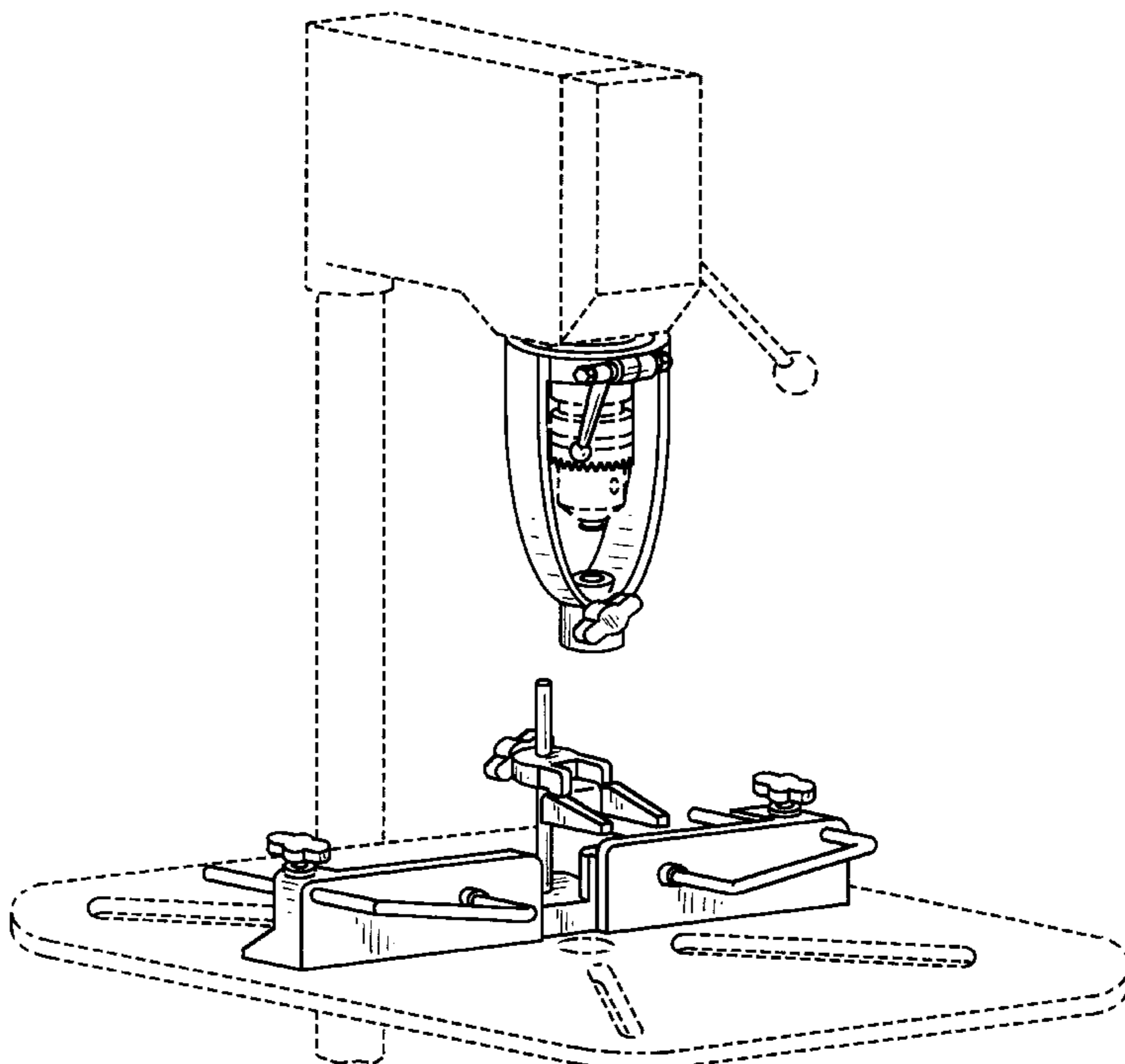
D. 365,582	12/1995	McDaniel	D15/132
5,337,641	8/1994	Duginske	.	
5,617,909	4/1997	Duginske	.	
5,807,033	9/1998	Benway	.	

Primary Examiner—Antoine Duval Davis
Attorney, Agent, or Firm—Kirkpatrick & Lockhart LLP

[57] **CLAIM**

The ornamental design for a mortising apparatus, as shown and described.

1 Claim, 14 Drawing Sheets



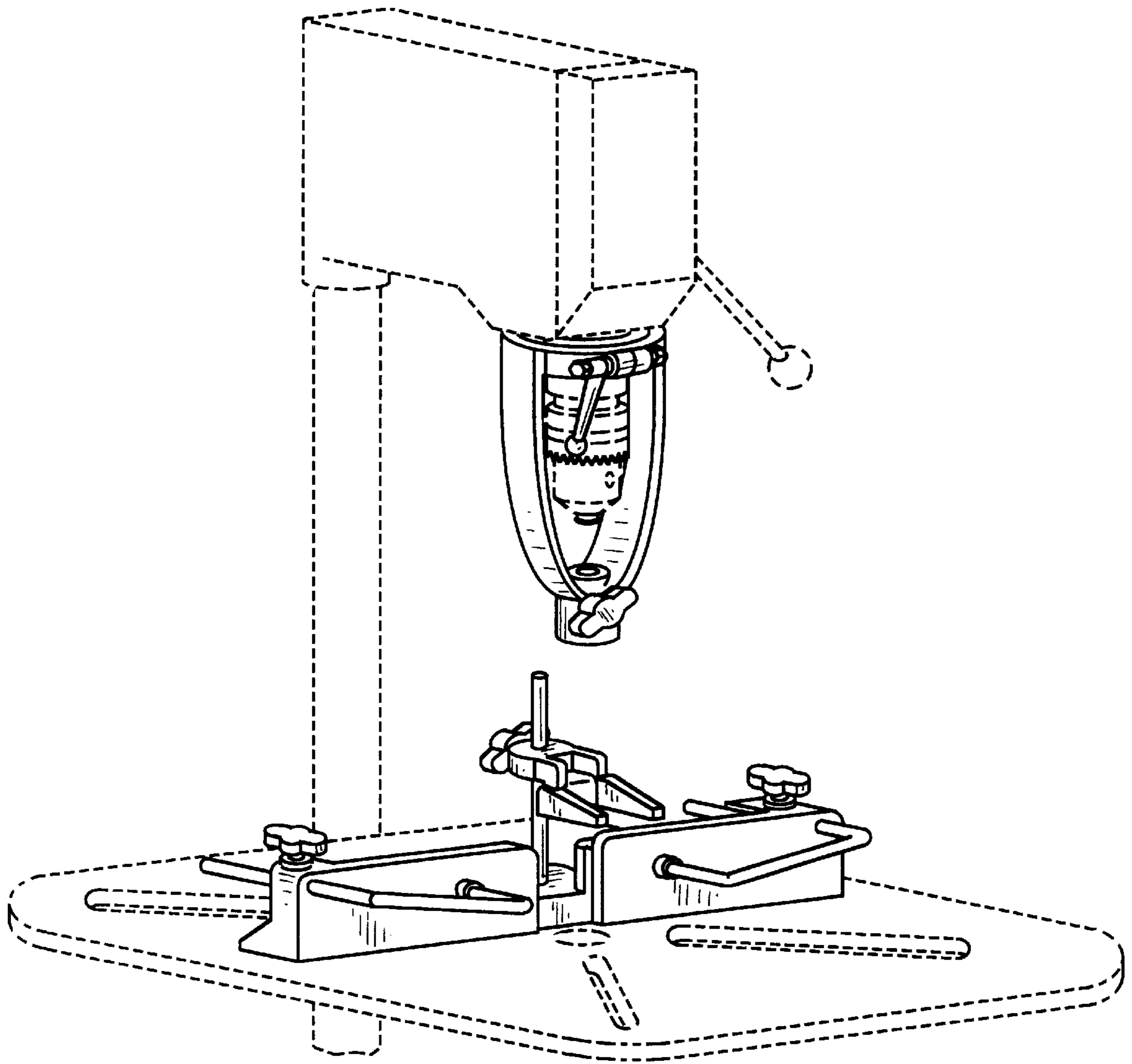


FIG. 1

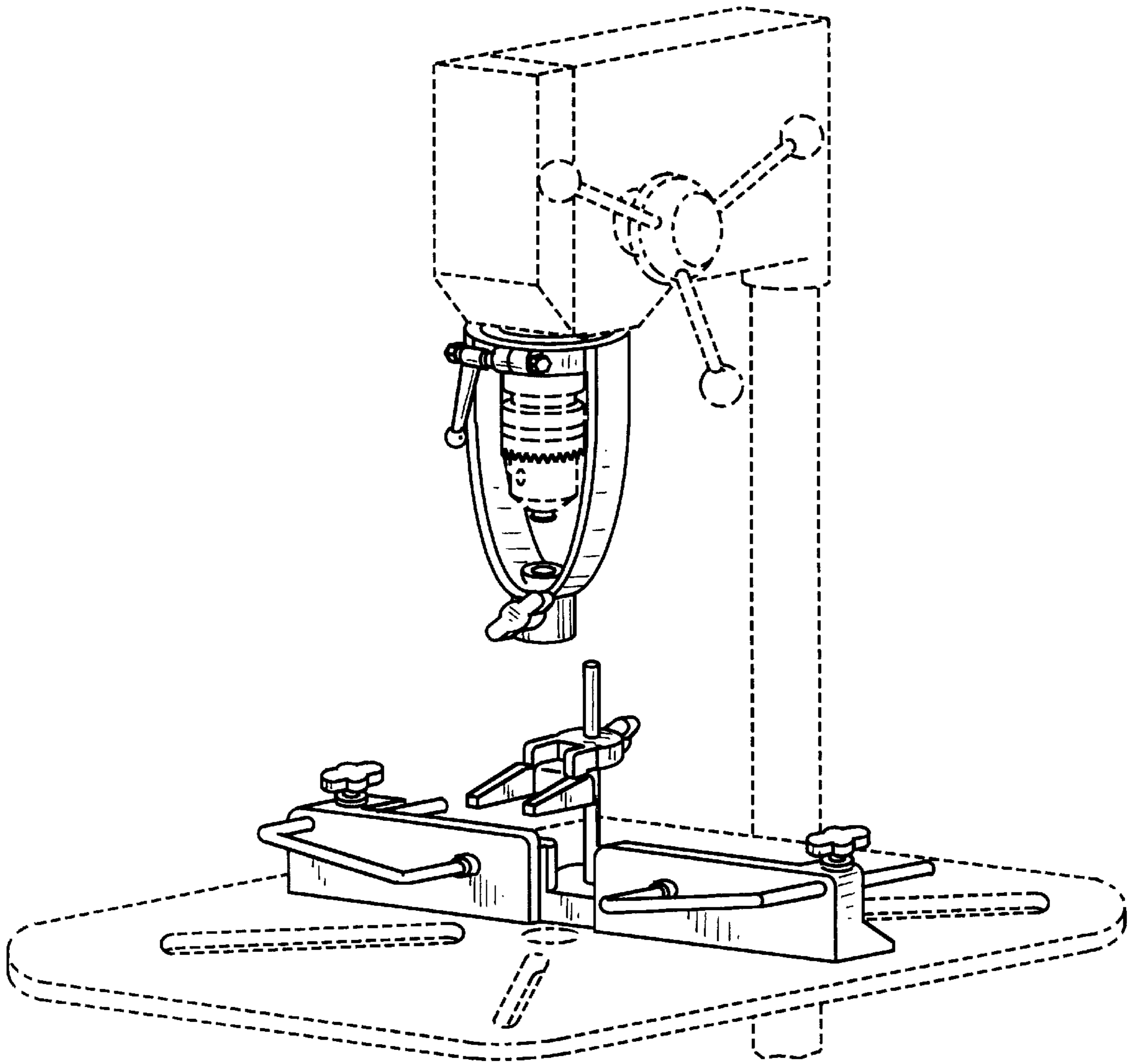


FIG. 2

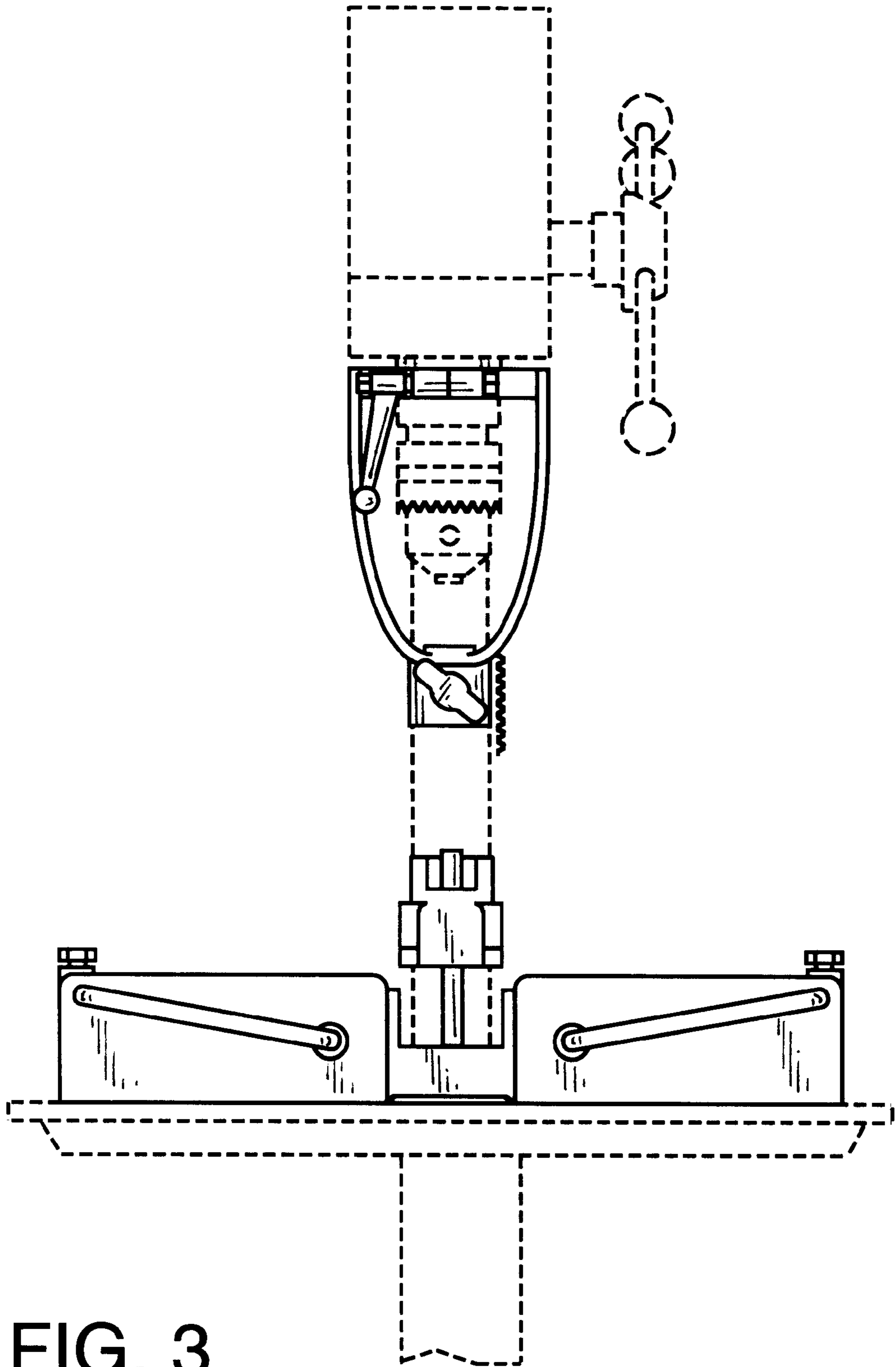


FIG. 3

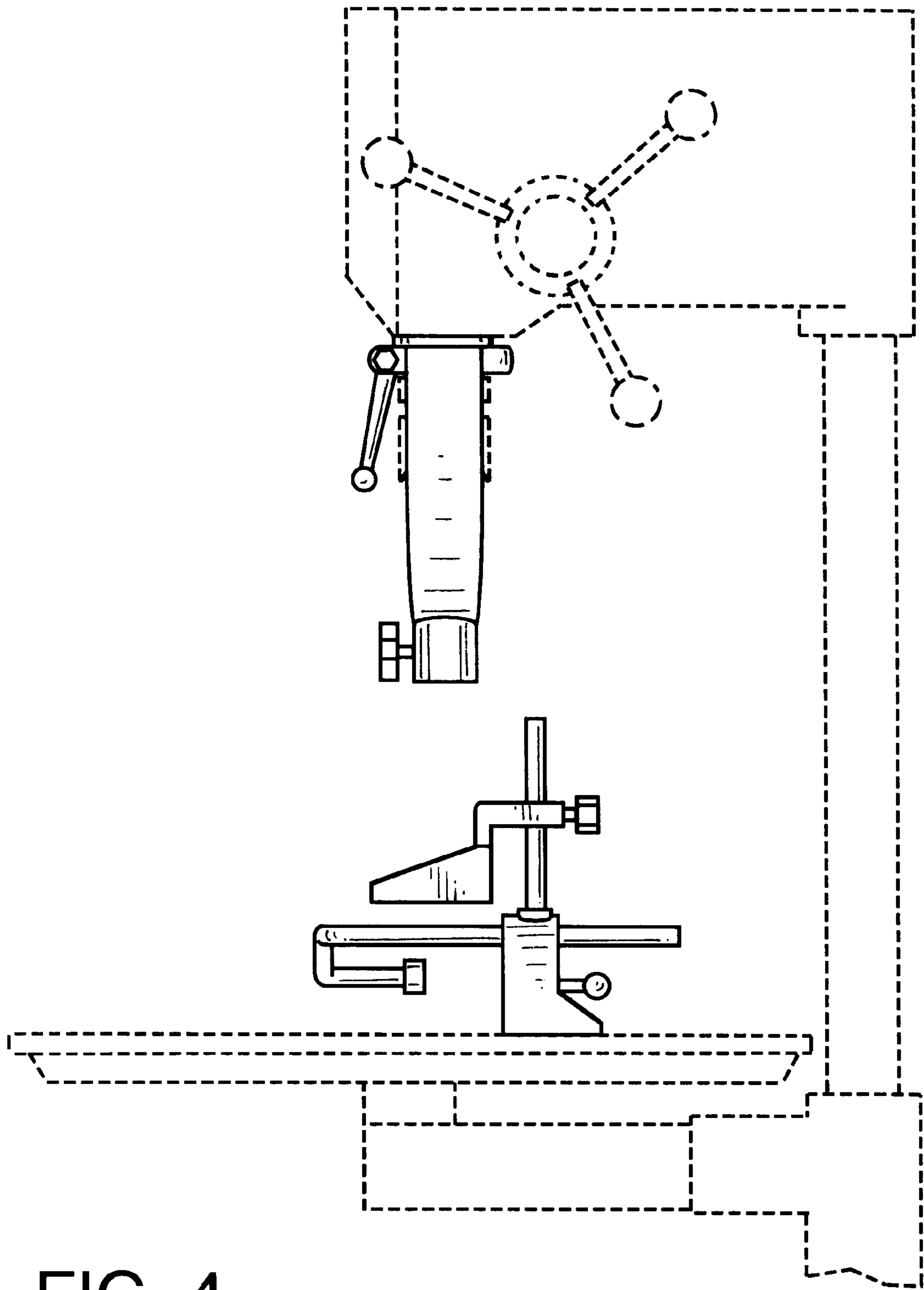


FIG. 4

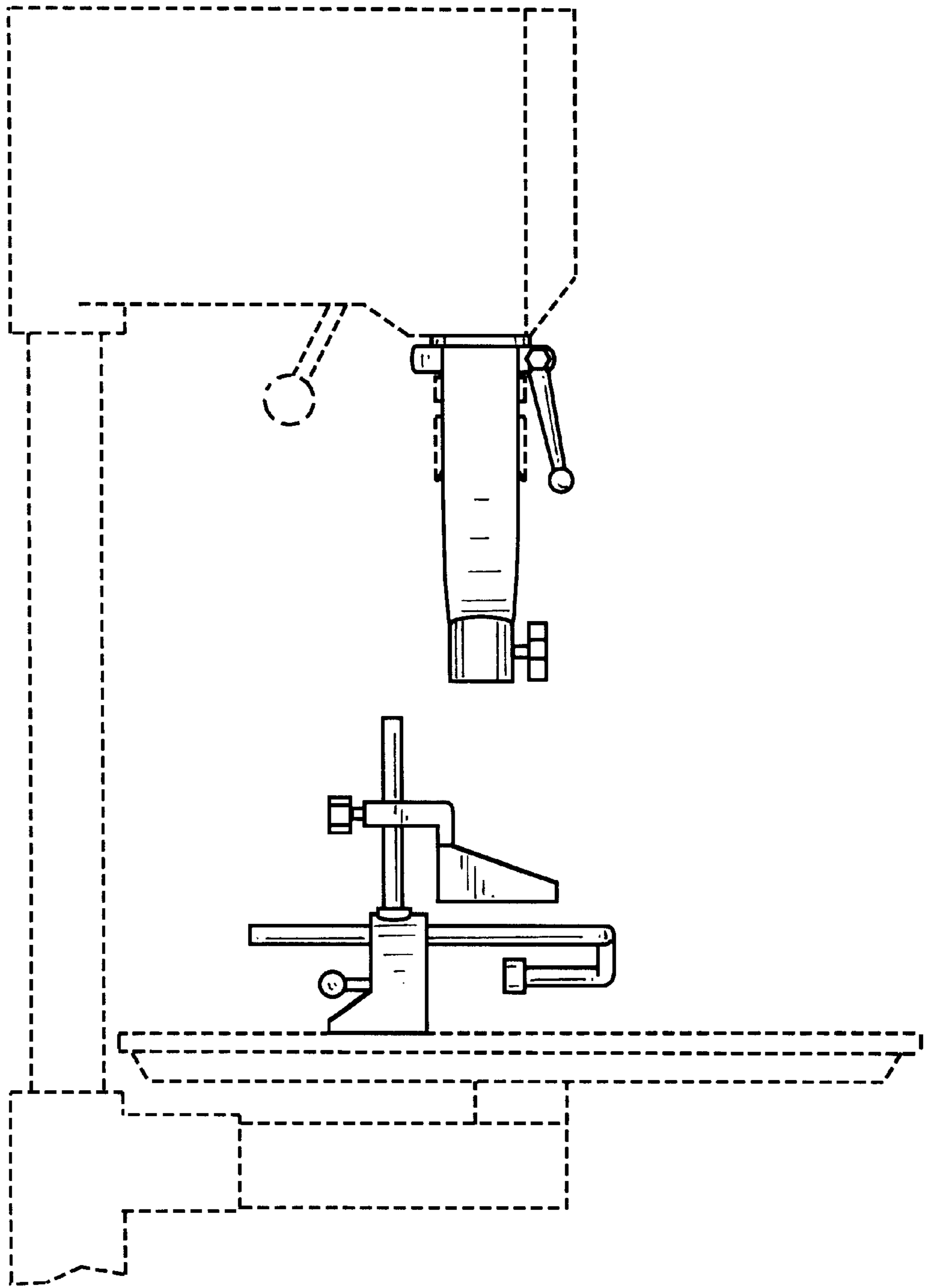


FIG. 5

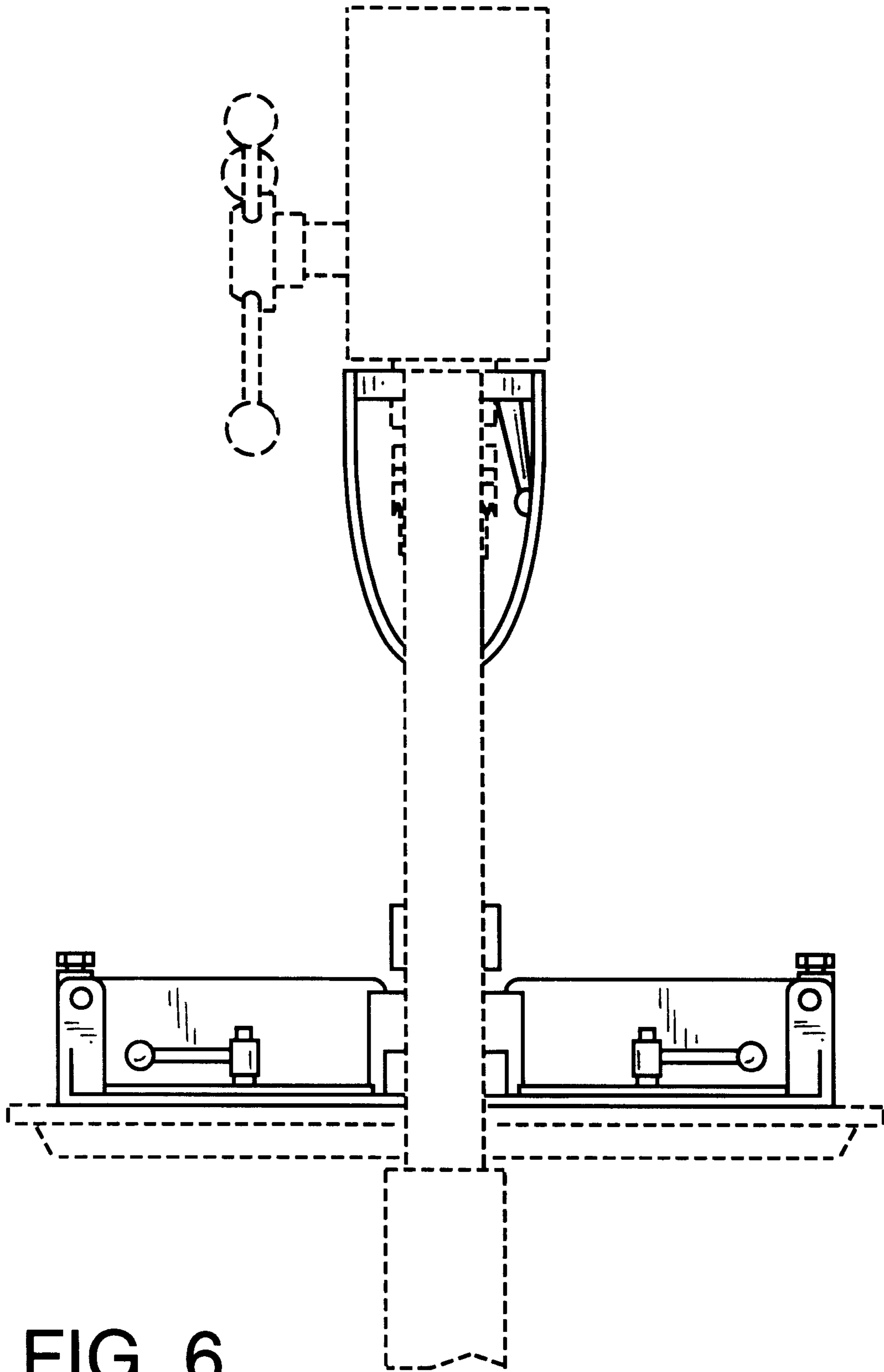


FIG. 6

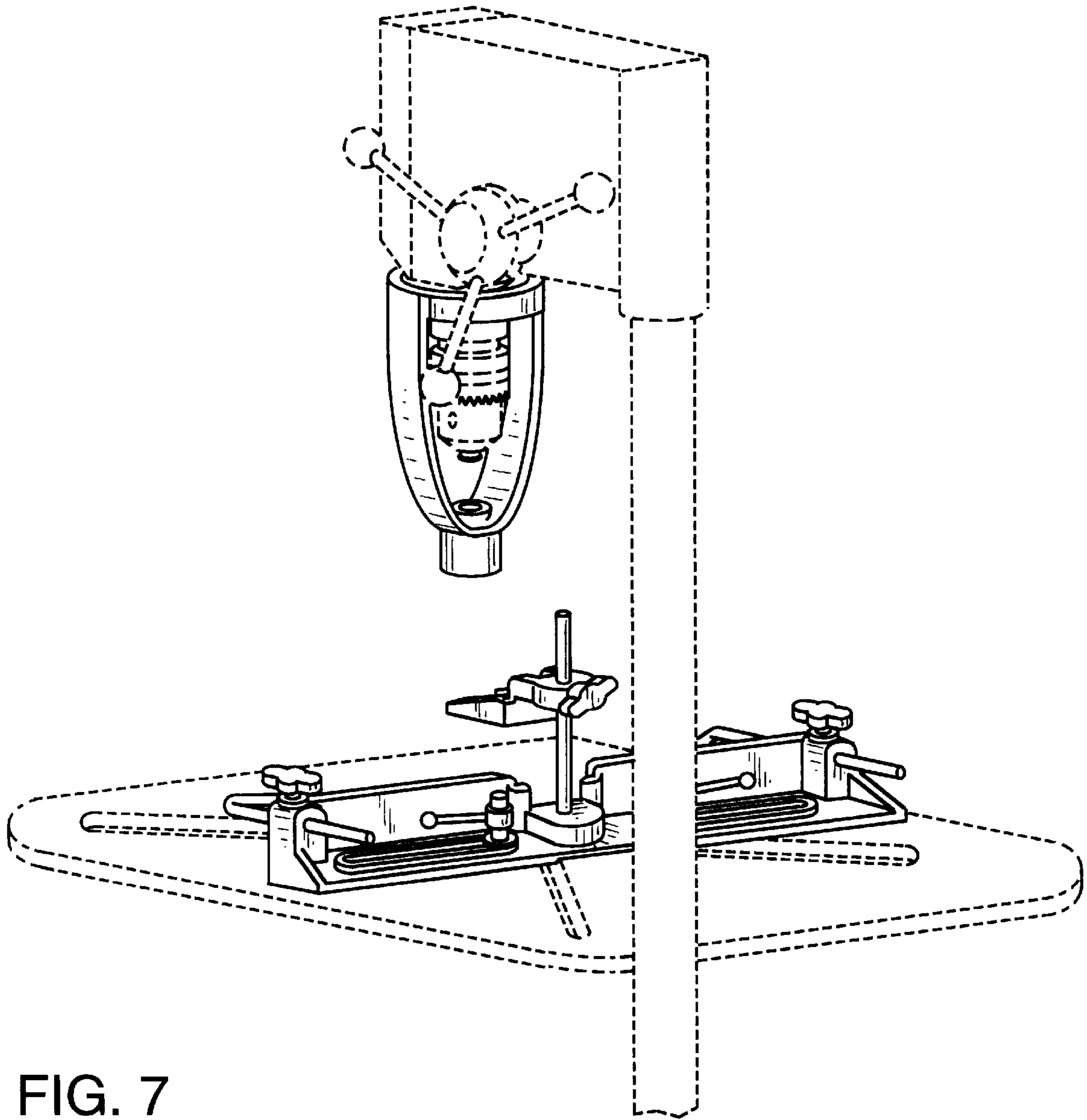


FIG. 7

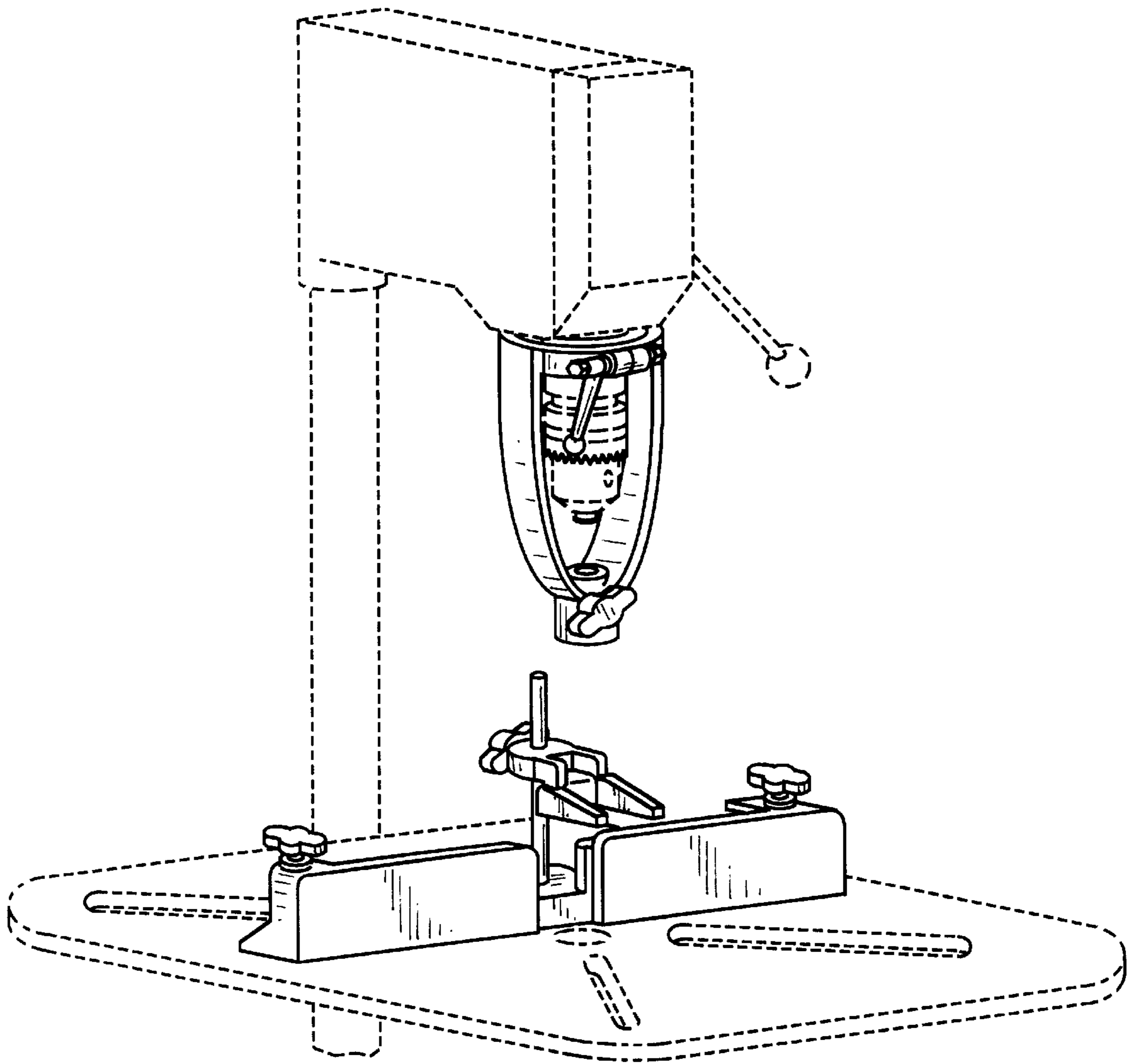


FIG. 8

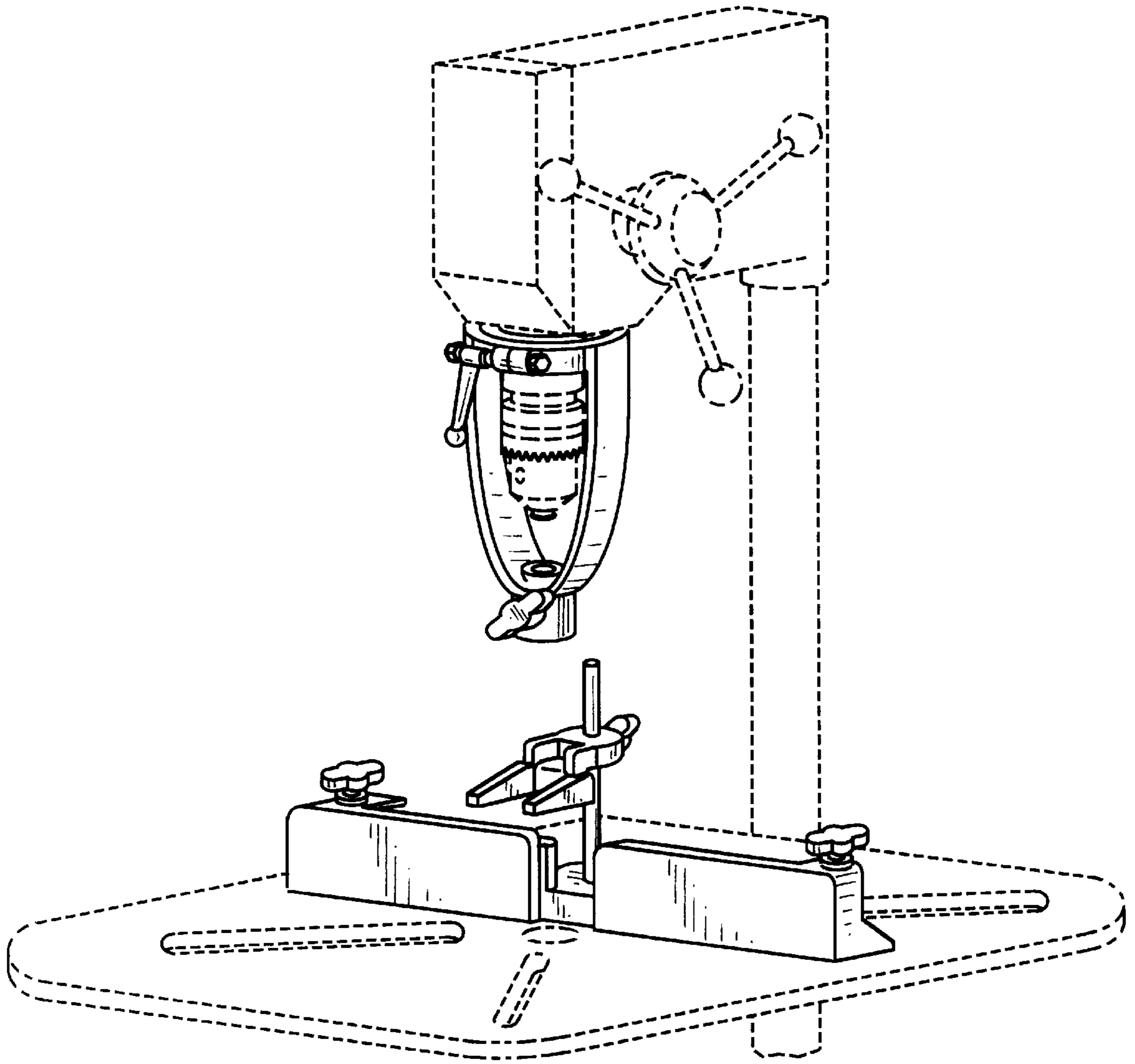


FIG. 9

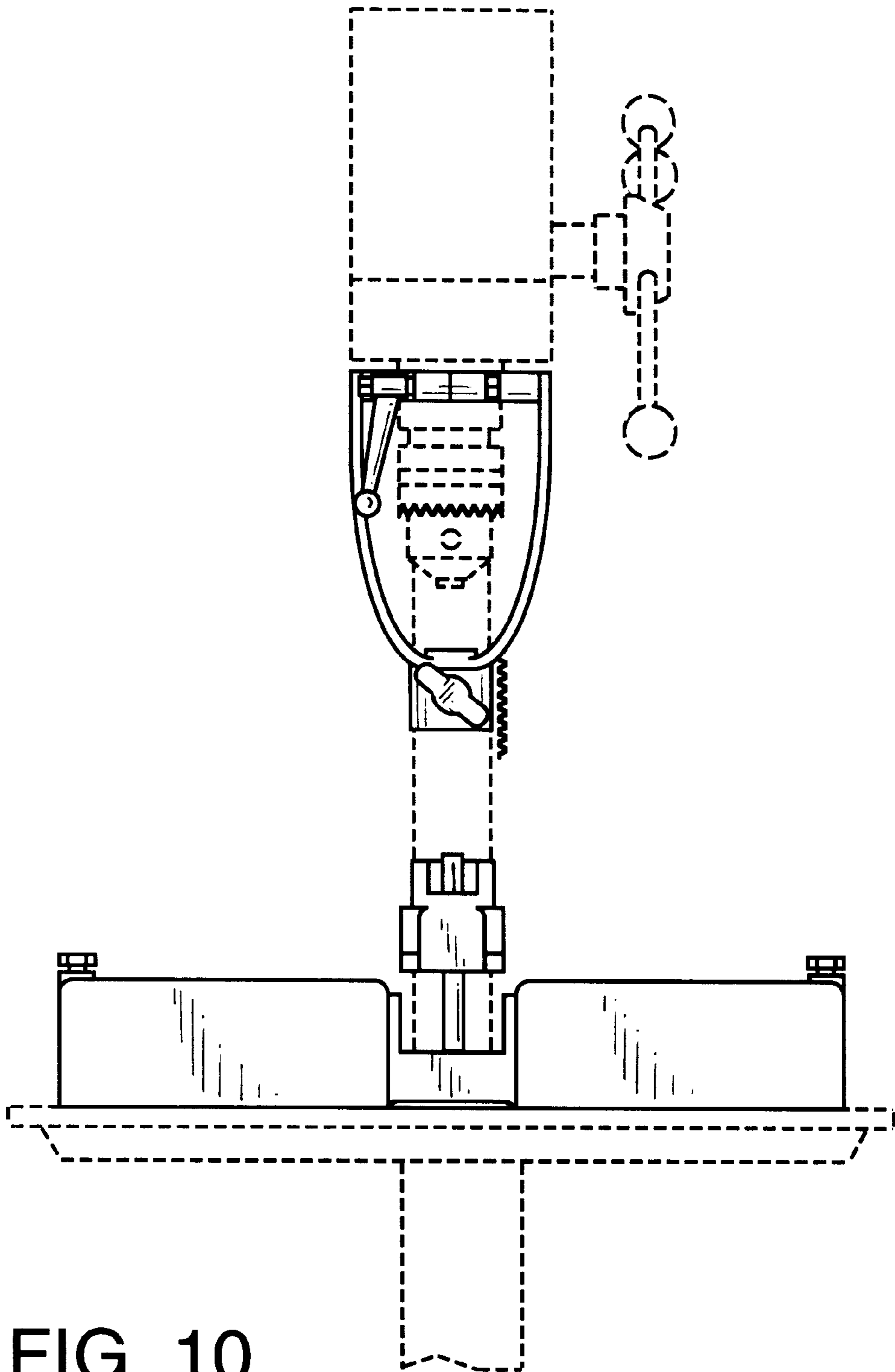


FIG. 10

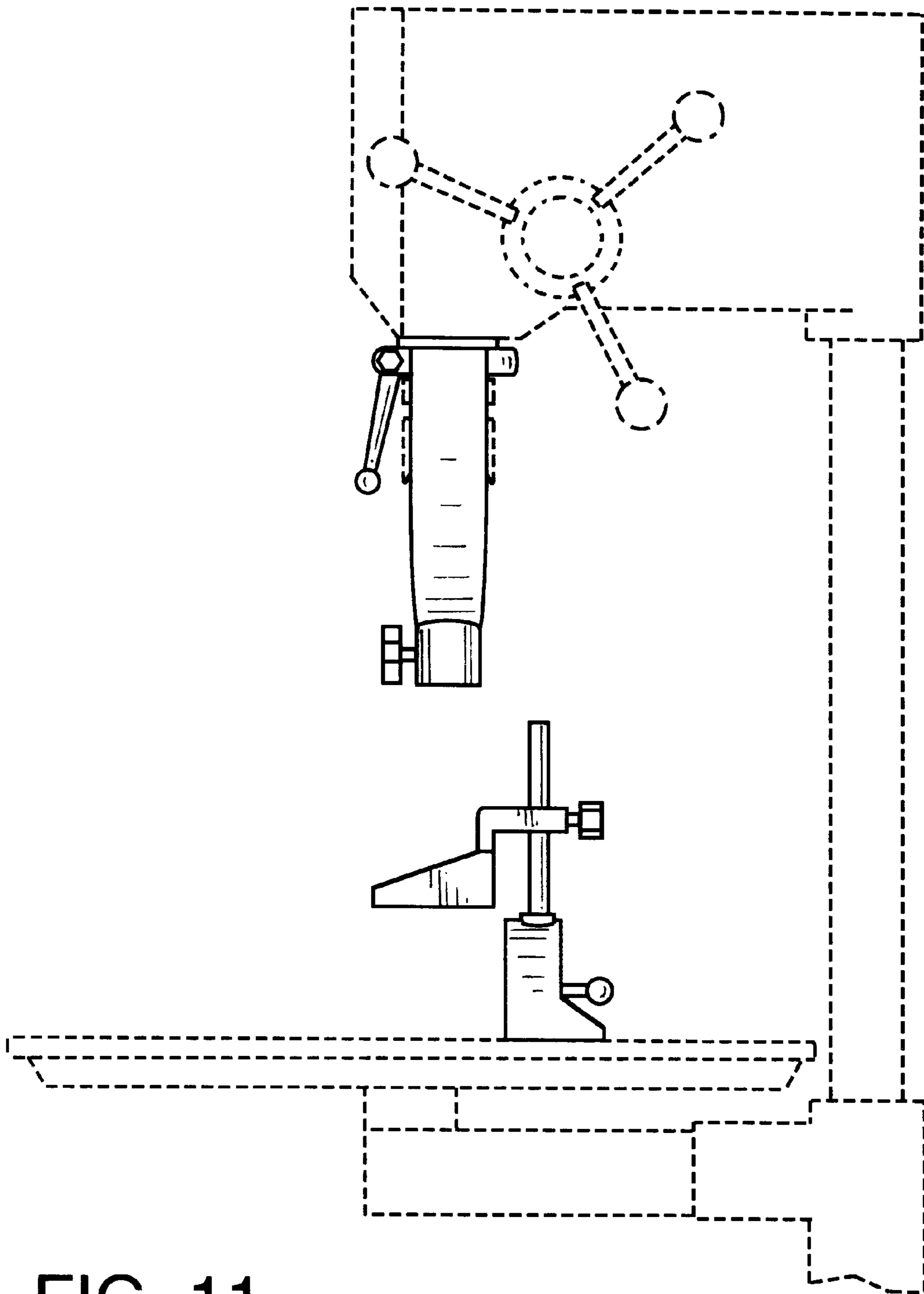


FIG. 11

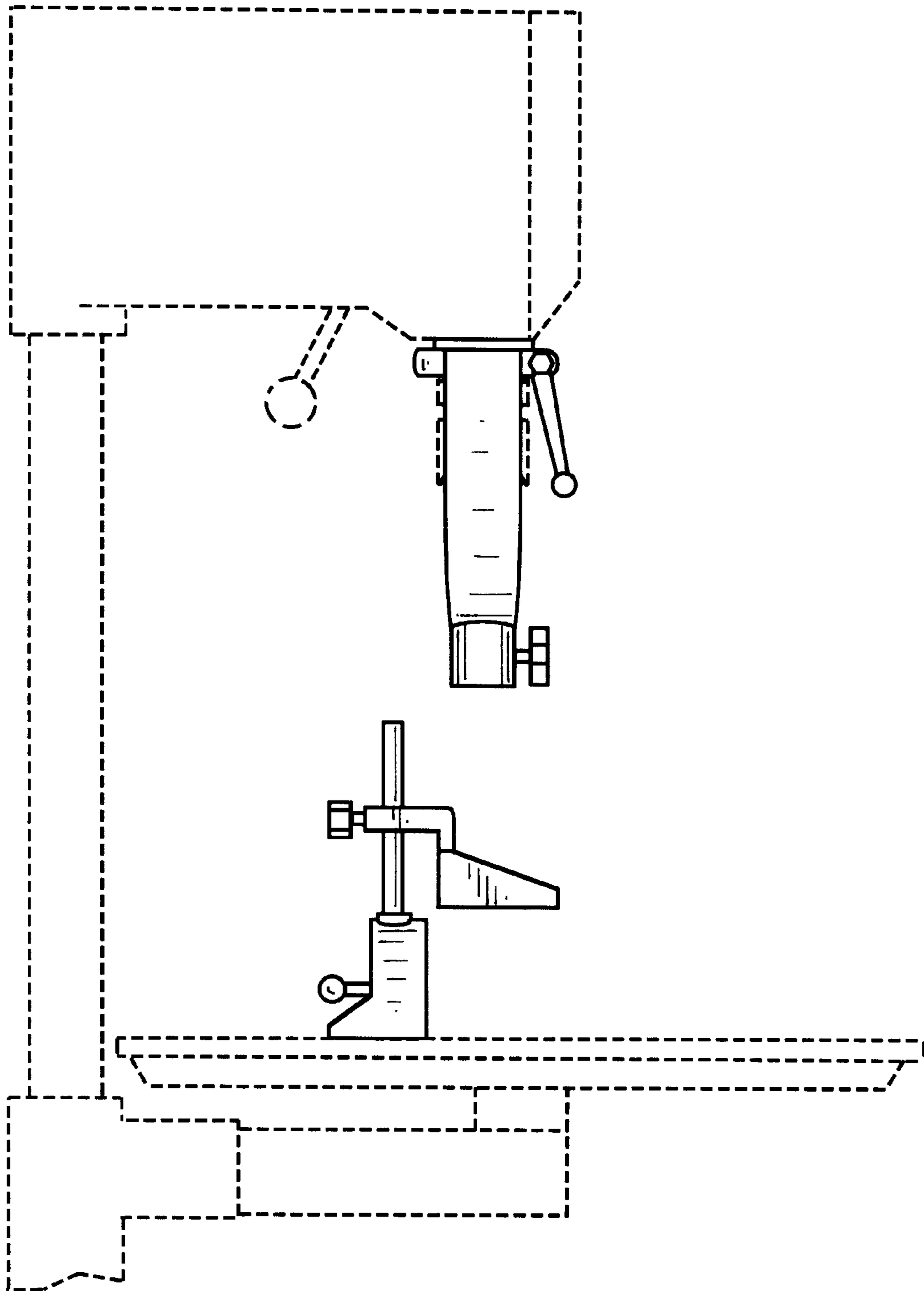


FIG. 12

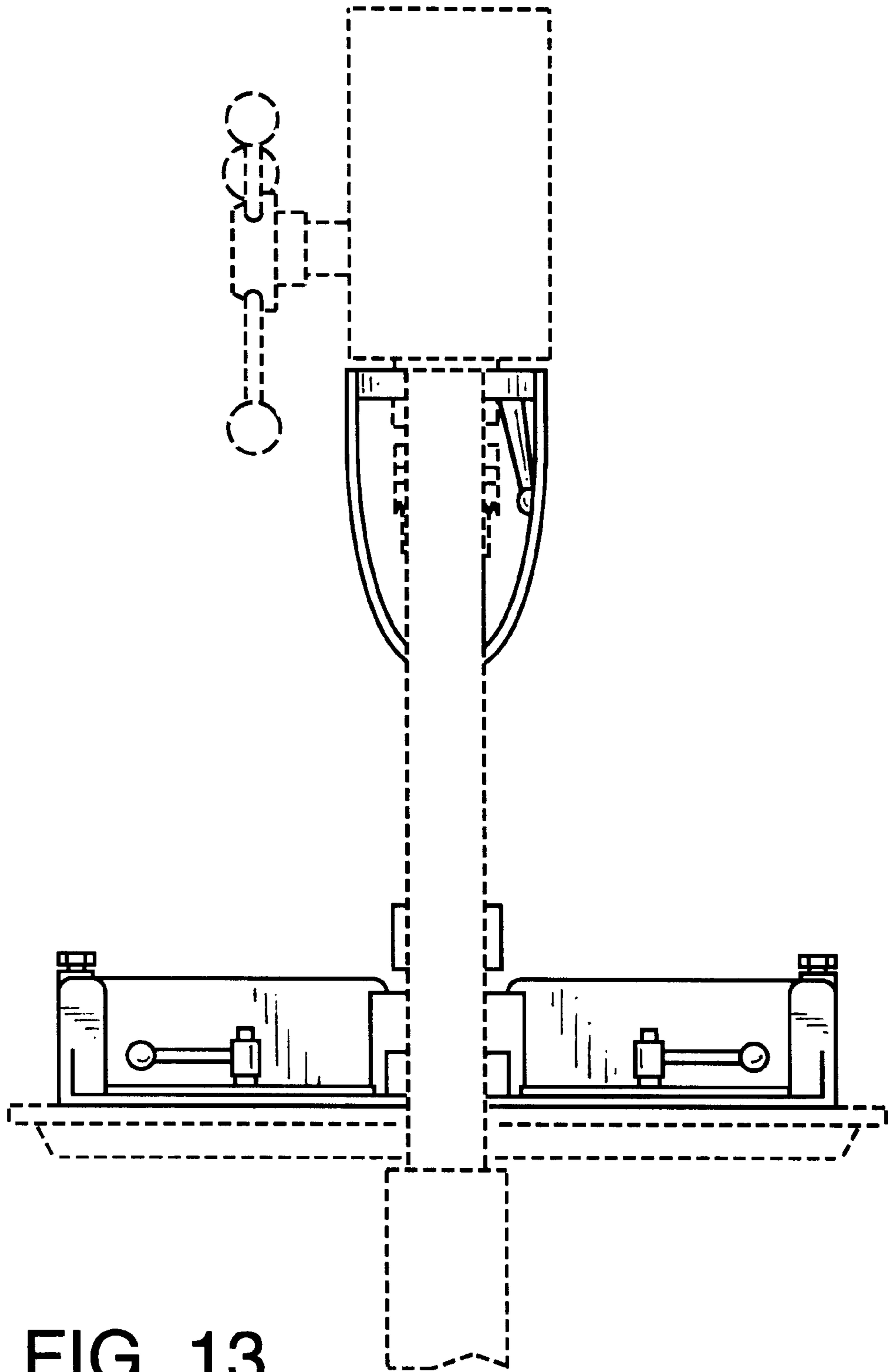


FIG. 13

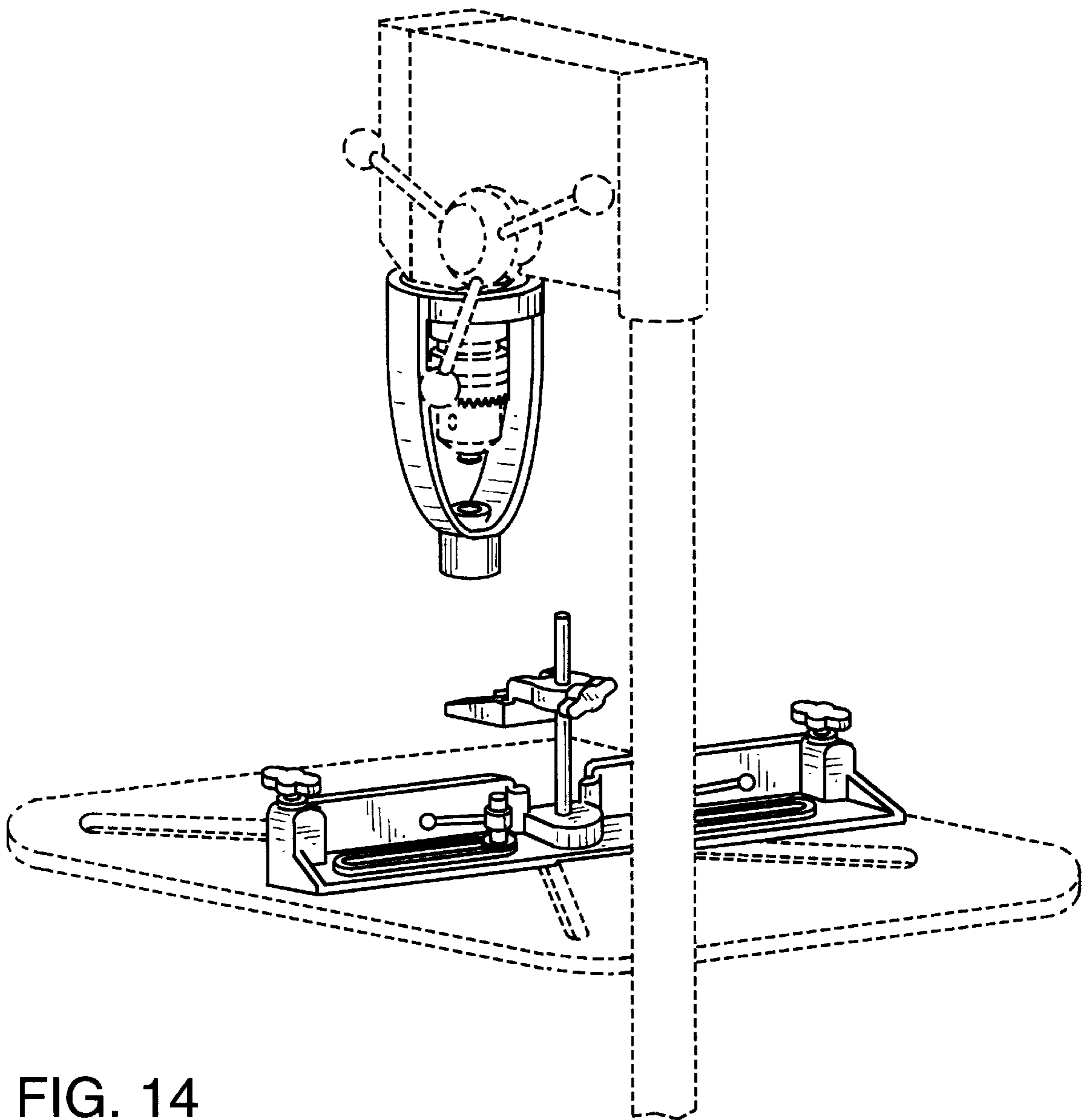


FIG. 14