



US00D423522S

United States Patent [19]
Huntimer

[11] **Patent Number: Des. 423,522**

[45] **Date of Patent: ** Apr. 25, 2000**

[54] **COMBINE HEAD SKID SHOE**

Drawing of metal skid shoe, dated 1996.

[75] Inventor: **Todd Huntimer**, Arlington, S. Dak.

Primary Examiner—Sandra L. Morris
Attorney, Agent, or Firm—Fredrikson & Byron, P.A.

[73] Assignee: **Global Polymer Industries, Inc.**,
Arlington, S. Dak.

[**] Term: **14 Years**

[57] **CLAIM**

[21] Appl. No.: **29/088,589**

I claim the ornamental design for a combine head skid shoe,
as shown and described.

[22] Filed: **May 28, 1998**

DESCRIPTION

[51] **LOC (6) Cl.** **15-03**

[52] **U.S. Cl.** **D15/28**

[58] **Field of Search** D15/10-12, 28,
D15/29, 32; 56/13.6, 17.4, 119, 313

FIG. 1 is a perspective view of a the combine head skid shoe
of the invention;

FIG. 2 is a top view thereof;

FIG. 3 is an end view thereof, taken from the left side of FIG.
2;

FIG. 4 is a side view thereof;

FIG. 5 is the other side view thereof;

FIG. 6 is an end view taken from the right side of FIG. 2;
and,

FIG. 7 is a bottom view thereof.

[56] **References Cited**

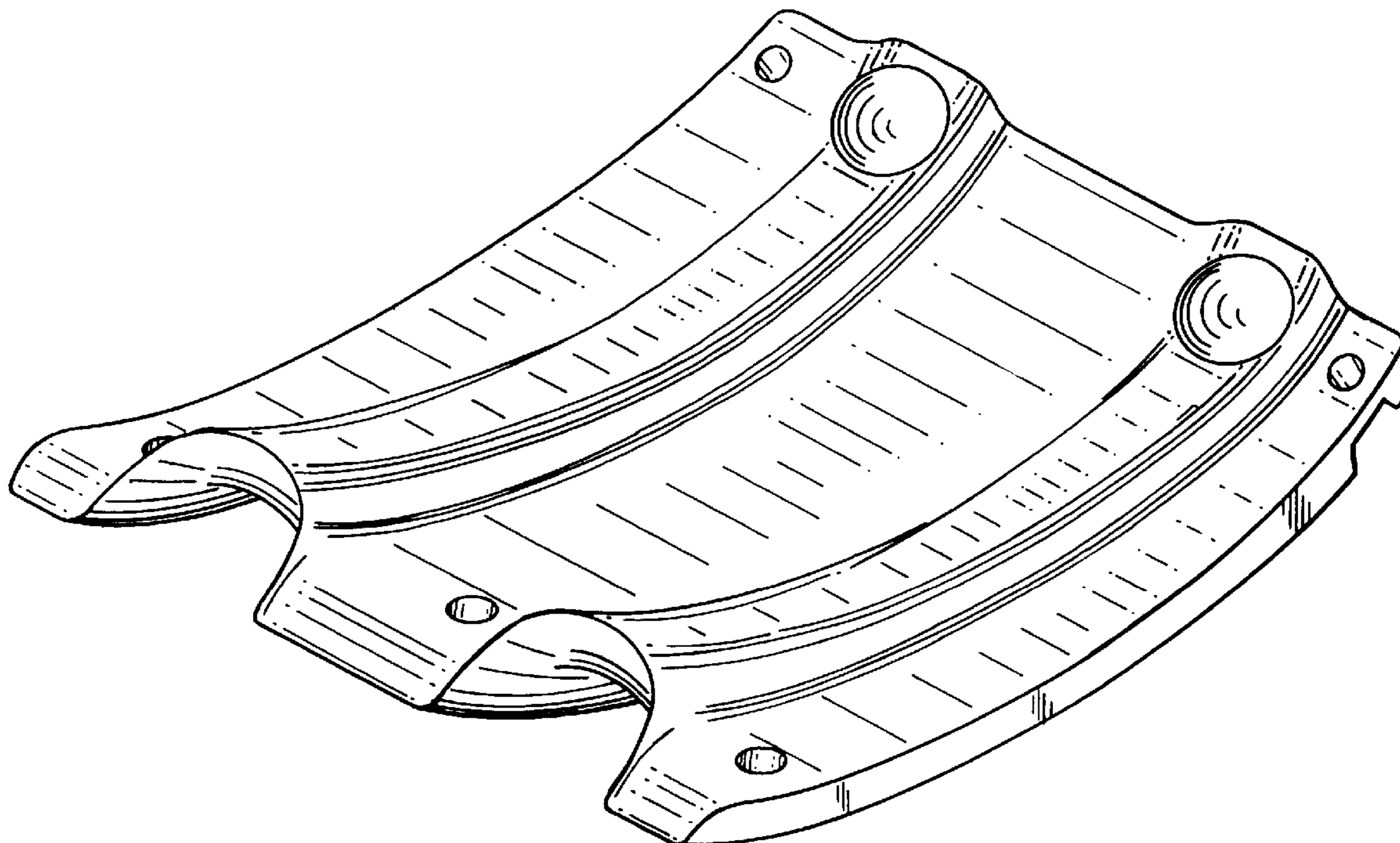
U.S. PATENT DOCUMENTS

- D. 314,778 2/1991 Rabitsch D15/28
- D. 382,570 8/1997 Bruns D15/28
- D. 391,582 3/1998 Bruns D15/28

OTHER PUBLICATIONS

Drawing No. 61571 of Herschel Corp., Jul. 22, 1988.
Undated page labeled J.E. Love at top (Herschel-Adams).
Undated page labeled Case-IH 1020 Speckled Polly Cover
Plates at top.

1 Claim, 3 Drawing Sheets



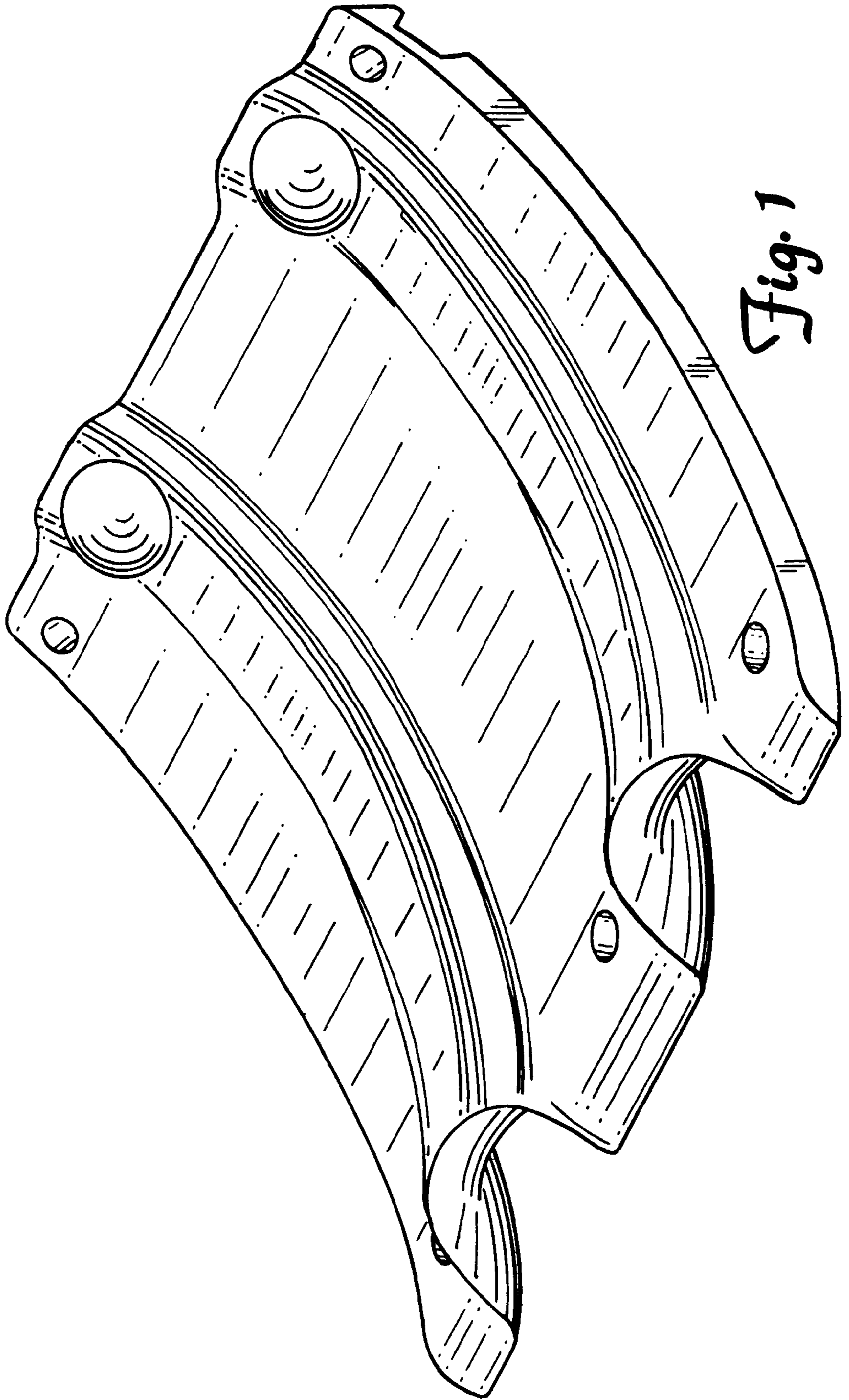


Fig. 1

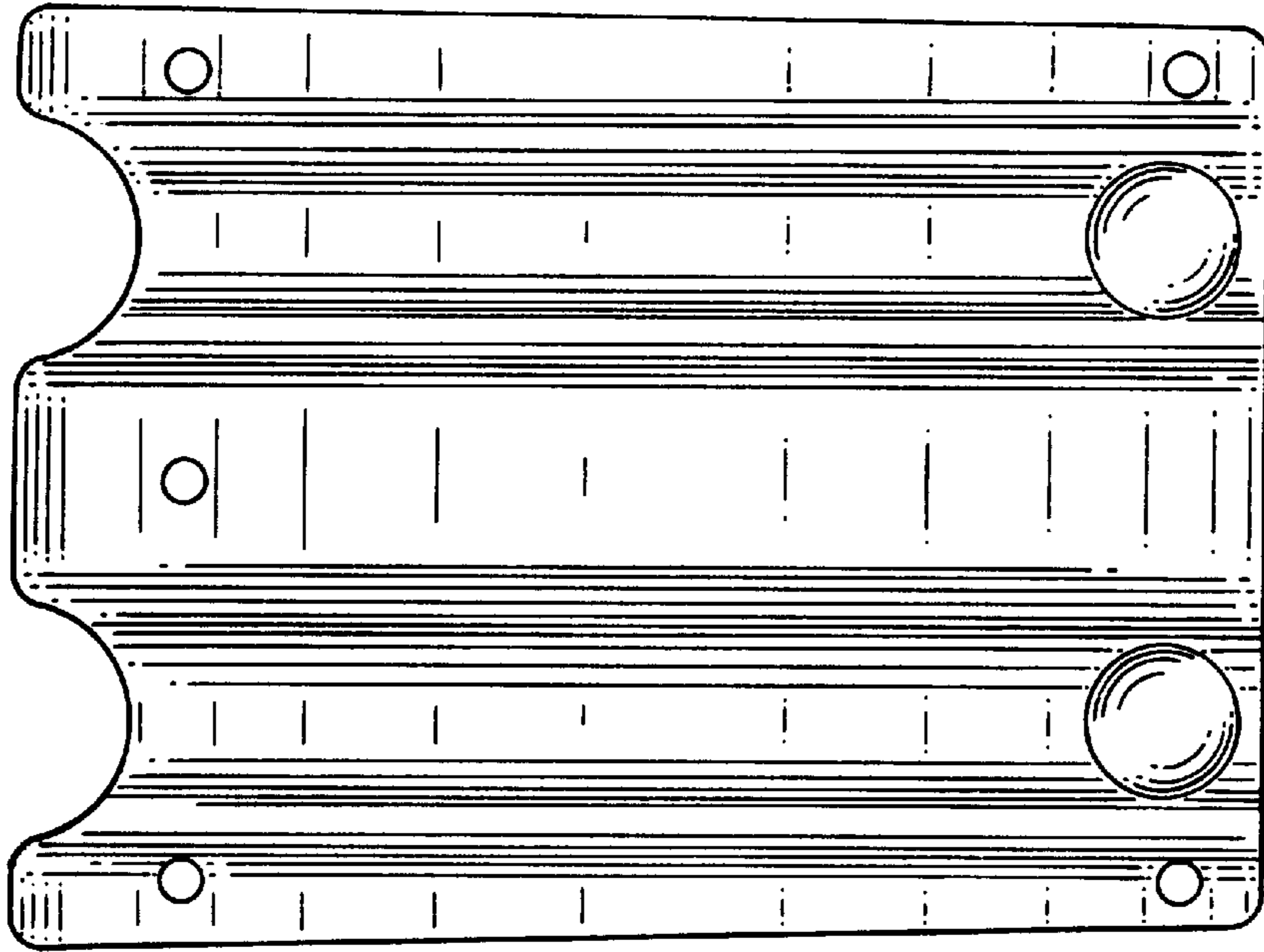


Fig. 2



Fig. 3



Fig. 4



Fig. 5

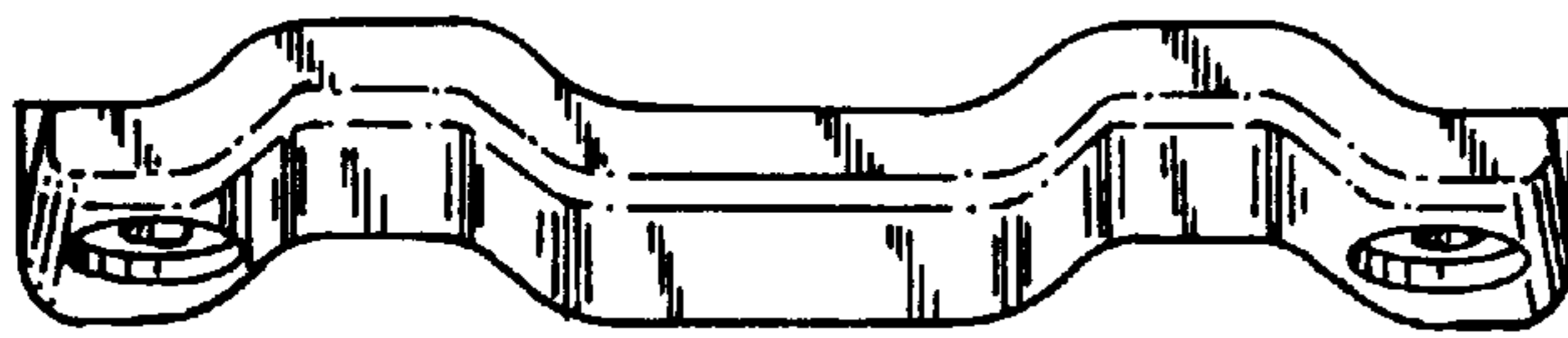


Fig. 6

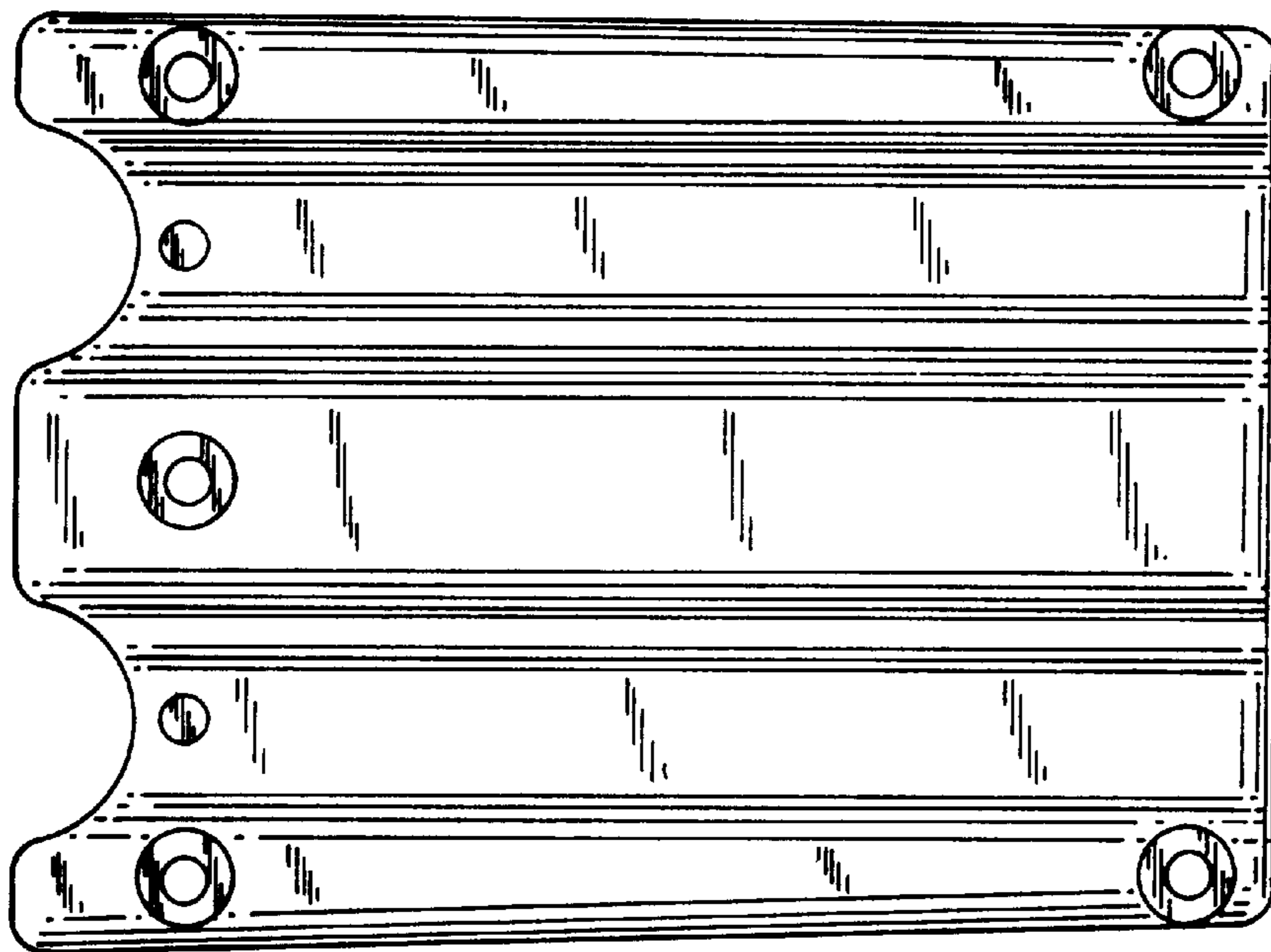


Fig. 7