



US00D423521S

United States Patent [19]

Walter et al.

[11] Patent Number: **Des. 423,521**

[45] Date of Patent: **** Apr. 25, 2000**

[54] **SKID STEER LOADER**

[75] Inventors: **Llewellyn L. Walter**, Wentworth;
Robert John Johnson, Madison, both
of S. Dak.; **Kelly P. Moore**, Cedarburg,
Wis.; **Scott J. Collins**; **Craig A.**
Fluegge, both of Milwaukee, Wis.;
James R. Walsh, Wauwatosa, Wis.

[73] Assignee: **Gehl Company**, West Bend, Wis.

[**] Term: **14 Years**

[21] Appl. No.: **29/075,839**

[22] Filed: **Aug. 29, 1997**

[51] **LOC (6) Cl.** **15-04**

[52] **U.S. Cl.** **D15/23**

[58] **Field of Search** D15/10, 22-26,
D15/28; 180/89.1, 89.12, 900; 414/680,
685, 686

[56] **References Cited**

U.S. PATENT DOCUMENTS

D. 247,814 5/1978 Johnson et al. D15/23

D. 251,088 2/1979 Johnson et al. D15/23
D. 317,926 7/1991 Lynnes et al. D15/25
D. 322,792 12/1991 Park D15/25
D. 376,372 12/1996 Little et al. D15/23
5,078,568 1/1992 Lynnes 414/685

Primary Examiner—Sandra L. Morris
Attorney, Agent, or Firm—Andrus, Scales, Starke &
Sawall

[57] **CLAIM**

The ornamental design of a skid steer loader, as shown and described.

DESCRIPTION

FIG. 1 is an isometric view of a skid steer loader incorporating our new design;
FIG. 2 is a left side elevation view thereof, the right side elevation view being a mirror image;
FIG. 3 is a top plan view thereof;
FIG. 4 is a front elevation view thereof; and,
FIG. 5 is a rear elevation view thereof.
The broken line showing is for illustrative purposes only, and forms no part of the claimed design.

1 Claim, 2 Drawing Sheets

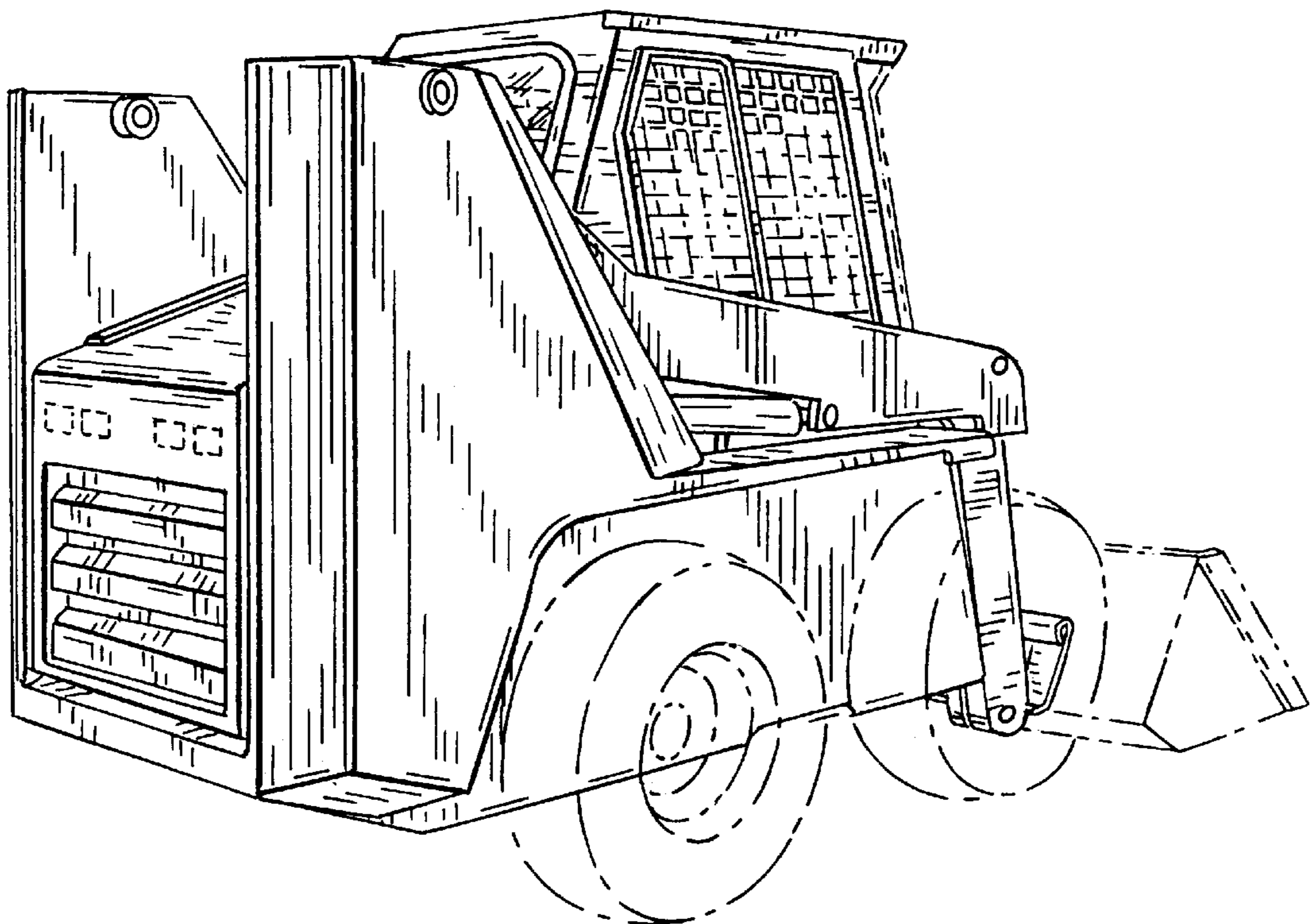


FIG. 1

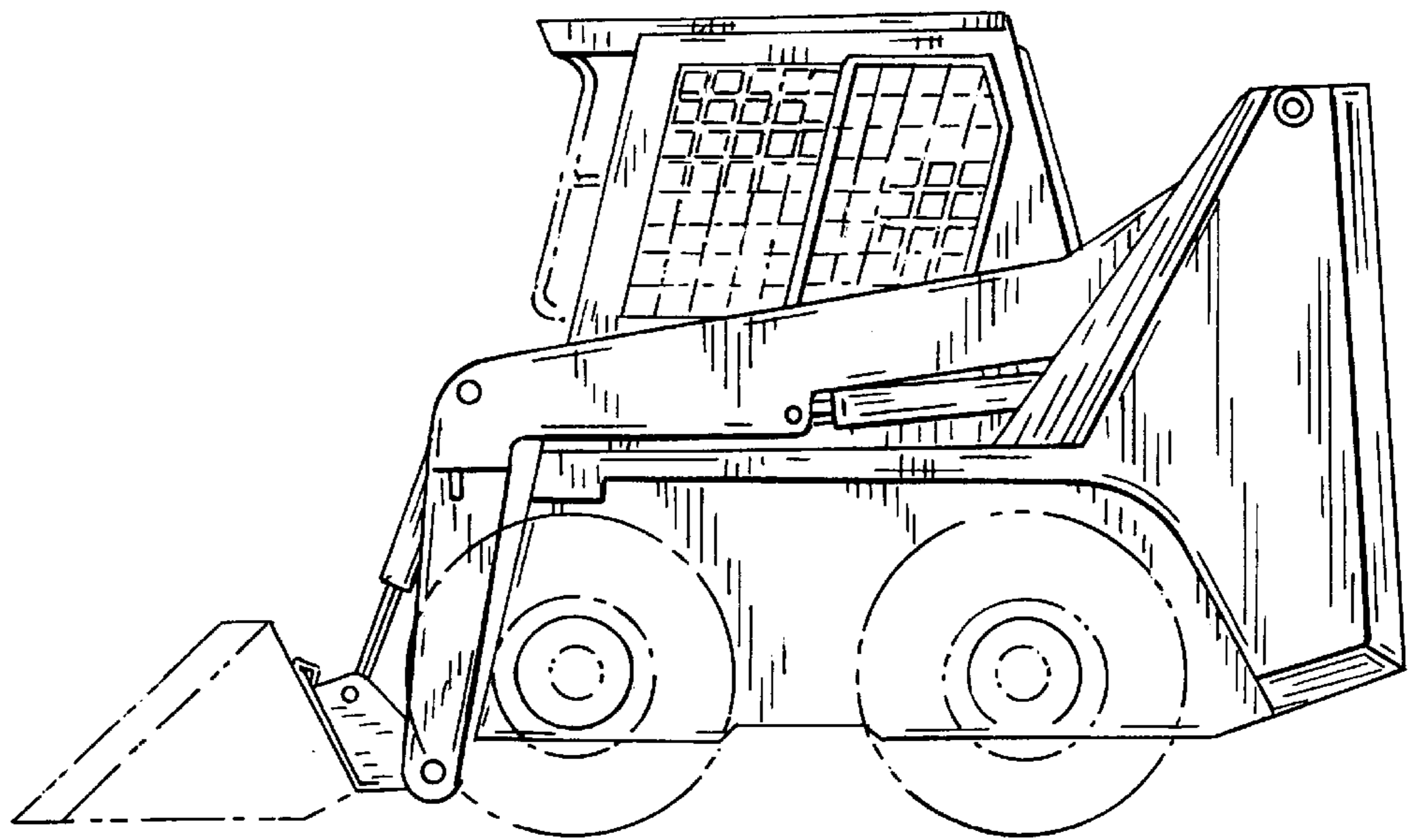
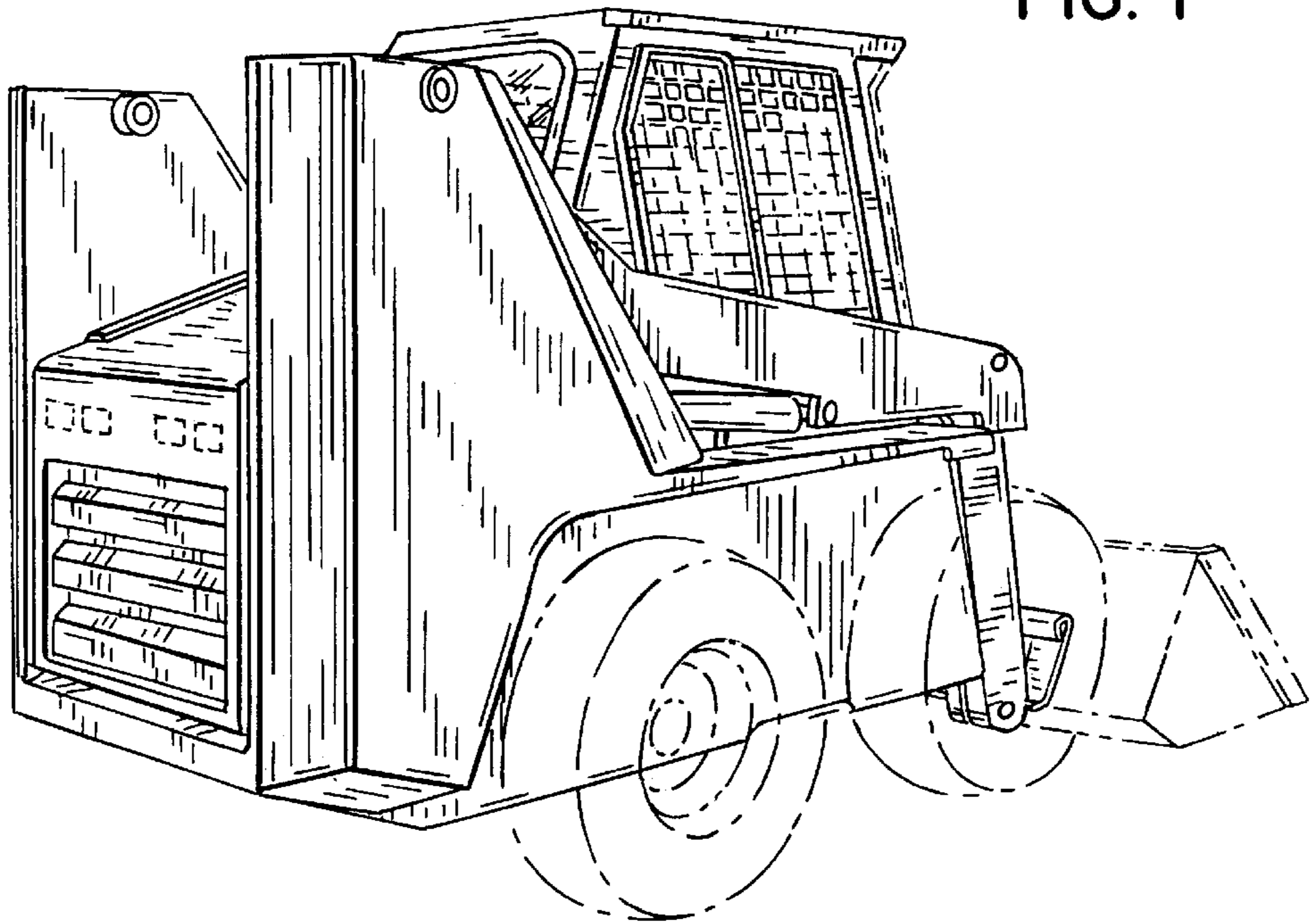


FIG. 2

FIG. 3

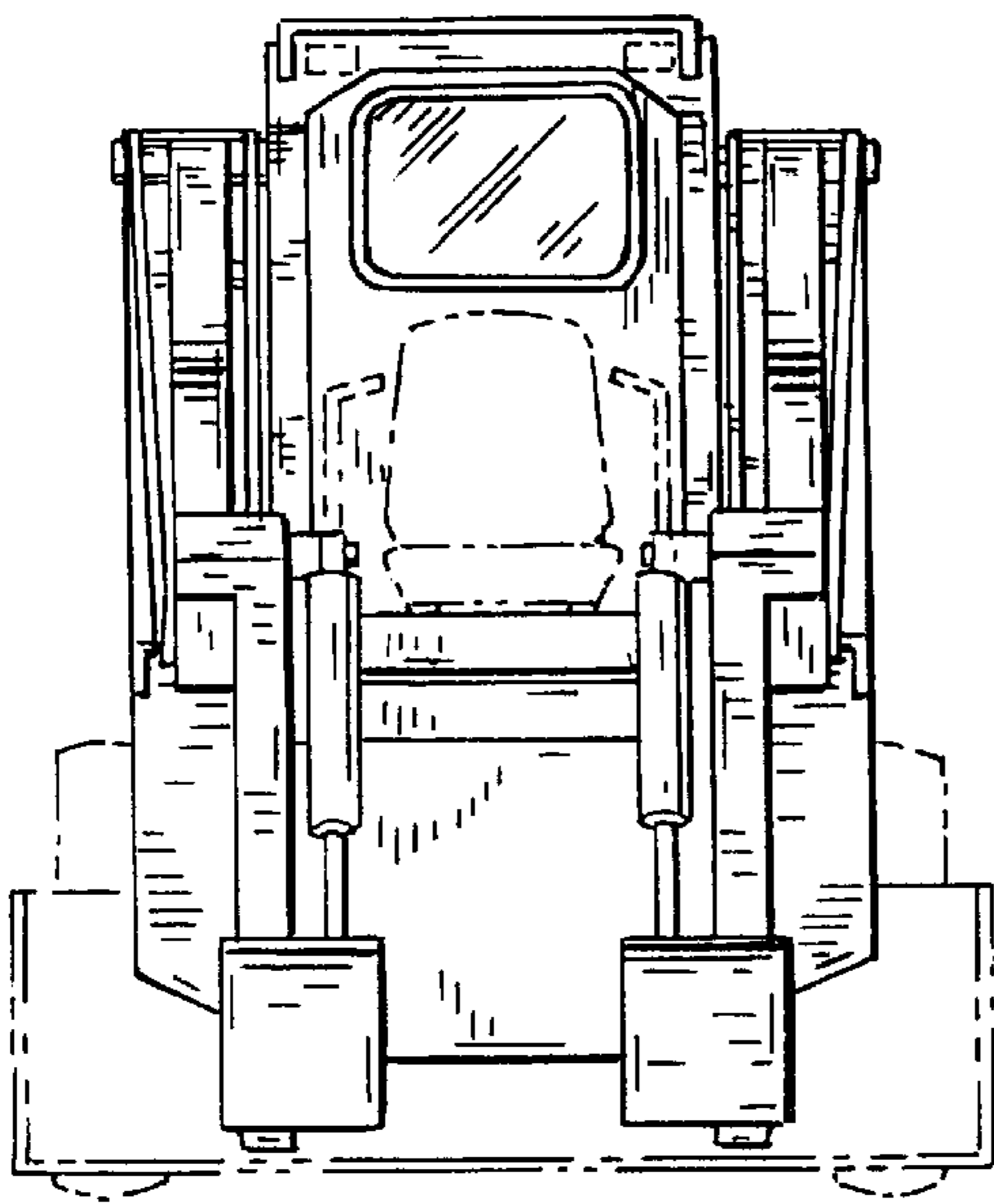
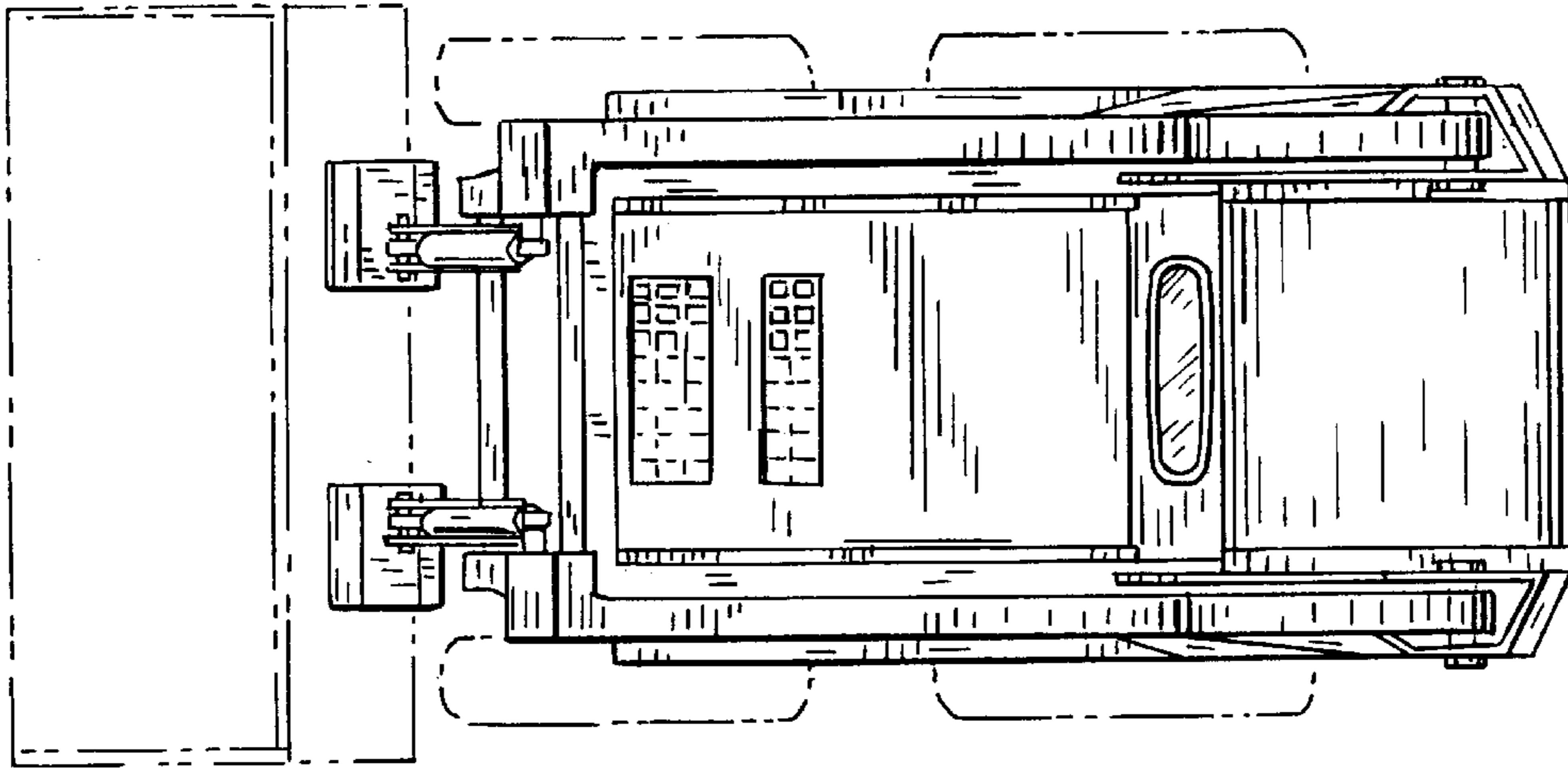


FIG. 4

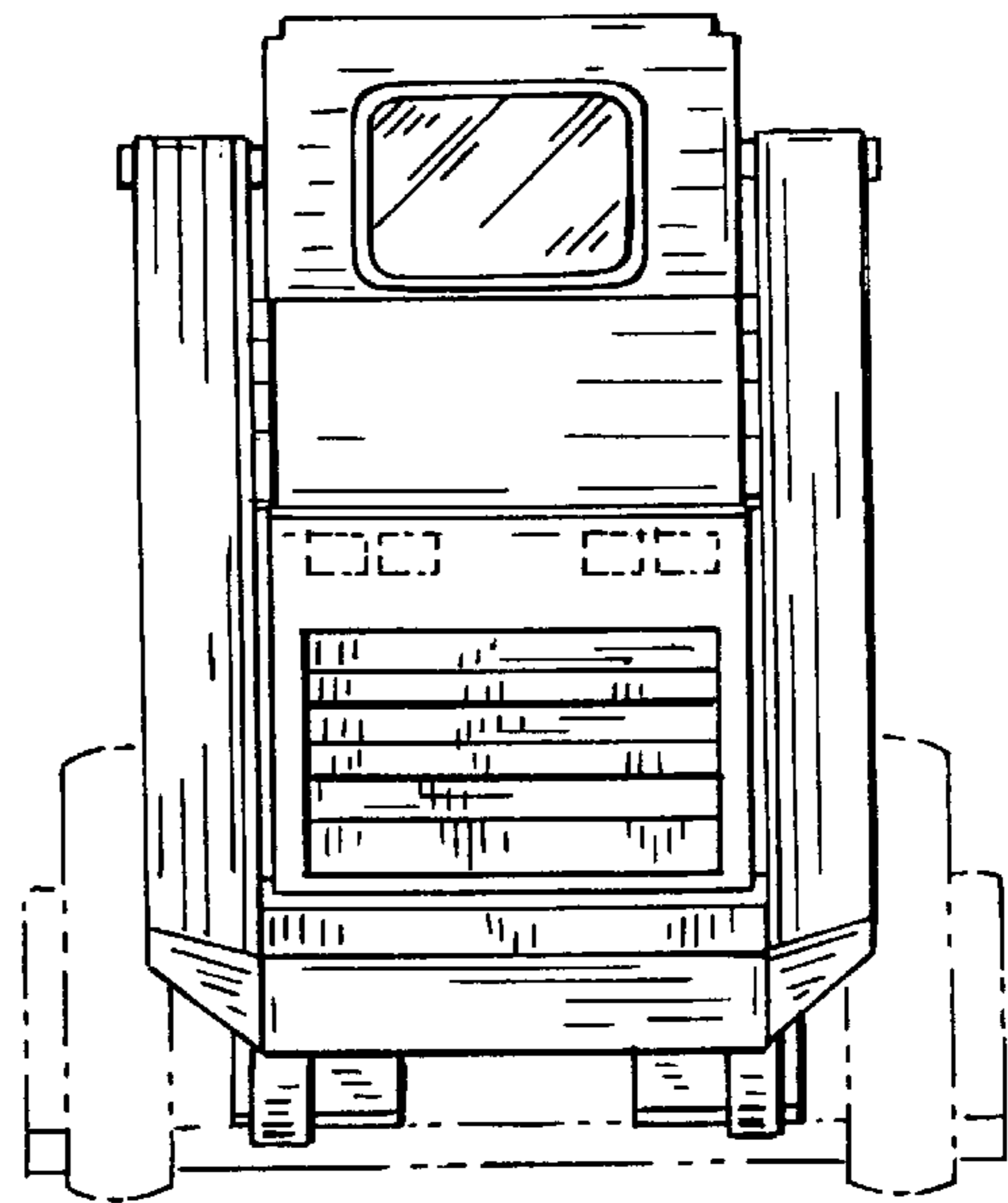


FIG. 5