



US00D423520S

United States Patent [19] Smith

[11] **Patent Number: Des. 423,520**

[45] **Date of Patent: ** Apr. 25, 2000**

[54] **RIDING LAWN MOWER**

[75] Inventor: **Kenneth Ray Smith**, Medina, Ohio

[73] Assignee: **MTO Products Inc**, Cleveland, Ohio

[**] Term: **14 Years**

[21] Appl. No.: **29/077,376**

[22] Filed: **Sep. 24, 1997**

[51] **LOC (6) Cl. 15-03**

[52] **U.S. Cl. D15/15**

[58] **Field of Search D15/10, 14-17,
D15/22-26; 56/13.3, 13.4, 15.8, 15.9, 16.1,
16.7, 17.4, 202, 255, 294, 320.1, 320.2;
180/900**

[56] **References Cited**

U.S. PATENT DOCUMENTS

D. 325,208	4/1992	Hosonuma	D15/15
D. 354,756	1/1995	Hinklin	D15/15
D. 356,582	3/1995	Weber	D15/15

D. 363,939	11/1995	Kato et al.	D15/15
D. 363,940	11/1995	Hinklin	D15/15
5,209,314	5/1993	Nishiyama	180/68.6

OTHER PUBLICATIONS

Cub Cadet advertisement. Series 2000 Model, AGS 2130.
Washington Post Home Depot Insert. Weed Eater Lawn
Tractor, front.

Primary Examiner—Sandra L. Morris
Attorney, Agent, or Firm—Emerson & Associates; Roger D.
Emerson

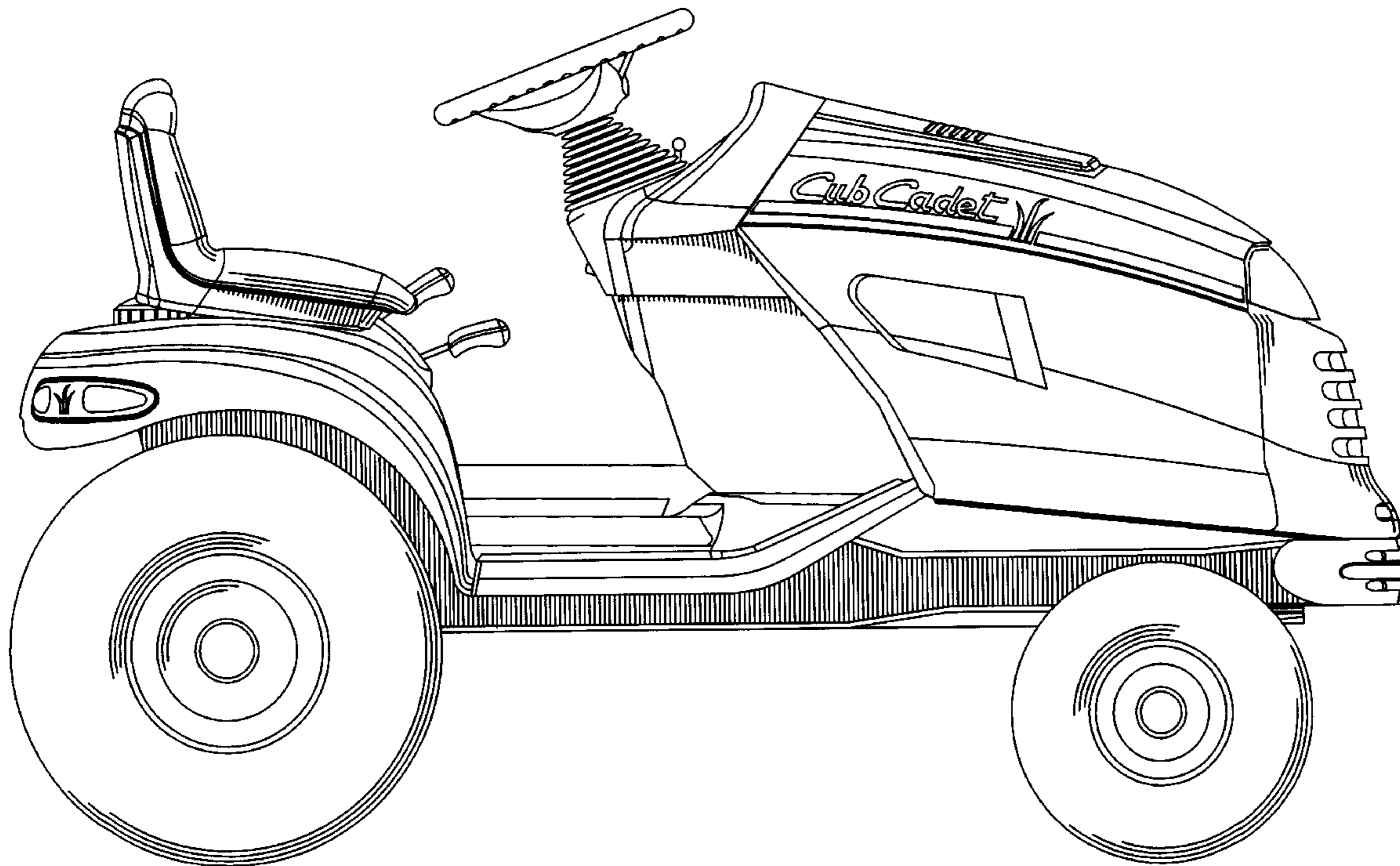
[57] **CLAIM**

The ornamental design for a riding lawn mower, as shown.

DESCRIPTION

FIG. 1 is a right side elevational view of a riding lawn
mower, showing my new design;
FIG. 2 is a rear perspective view thereof;
FIG. 3 is a left side elevational view thereof; and,
FIG. 4 is a top plan view thereof.

1 Claim, 4 Drawing Sheets



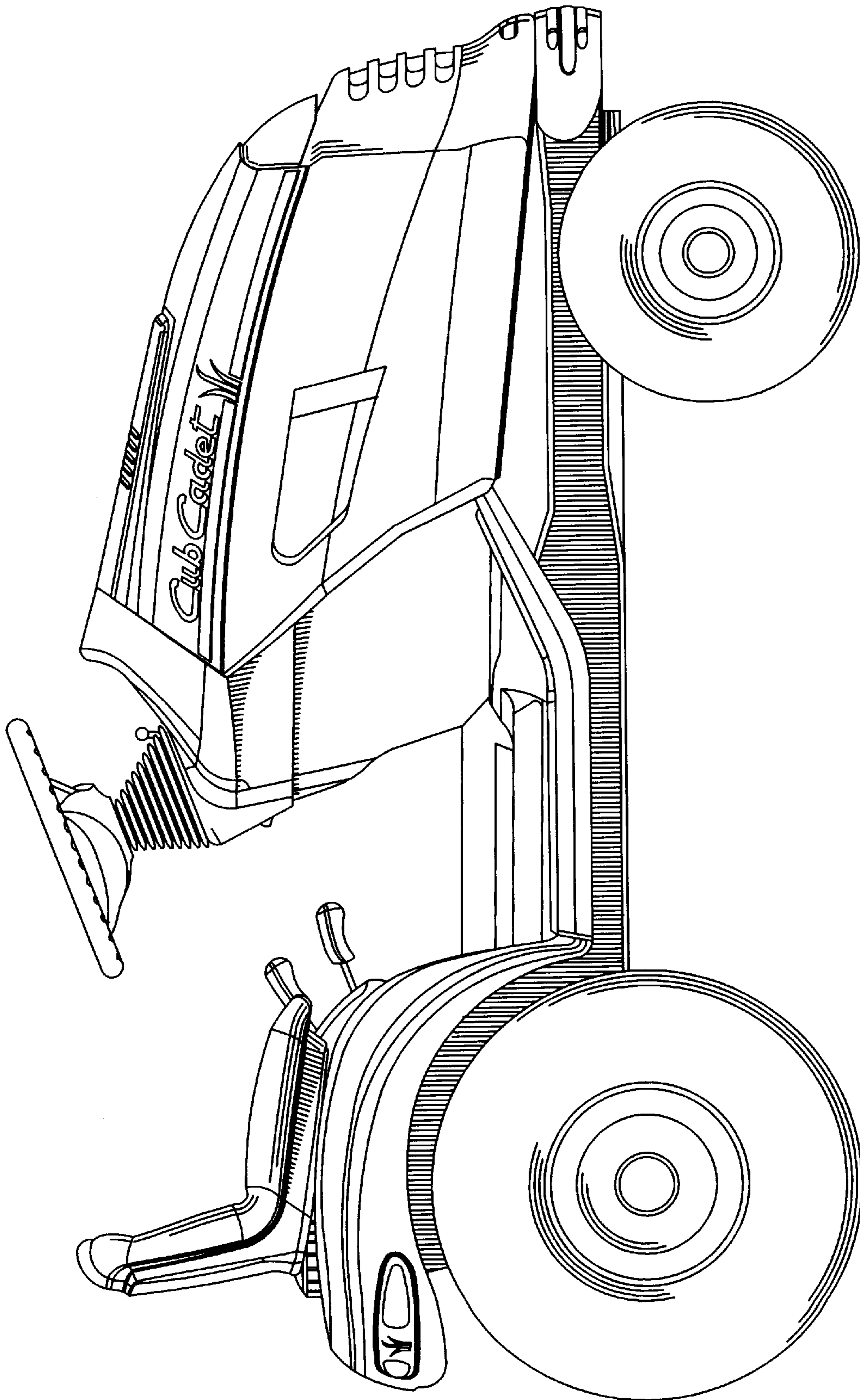


FIG-1

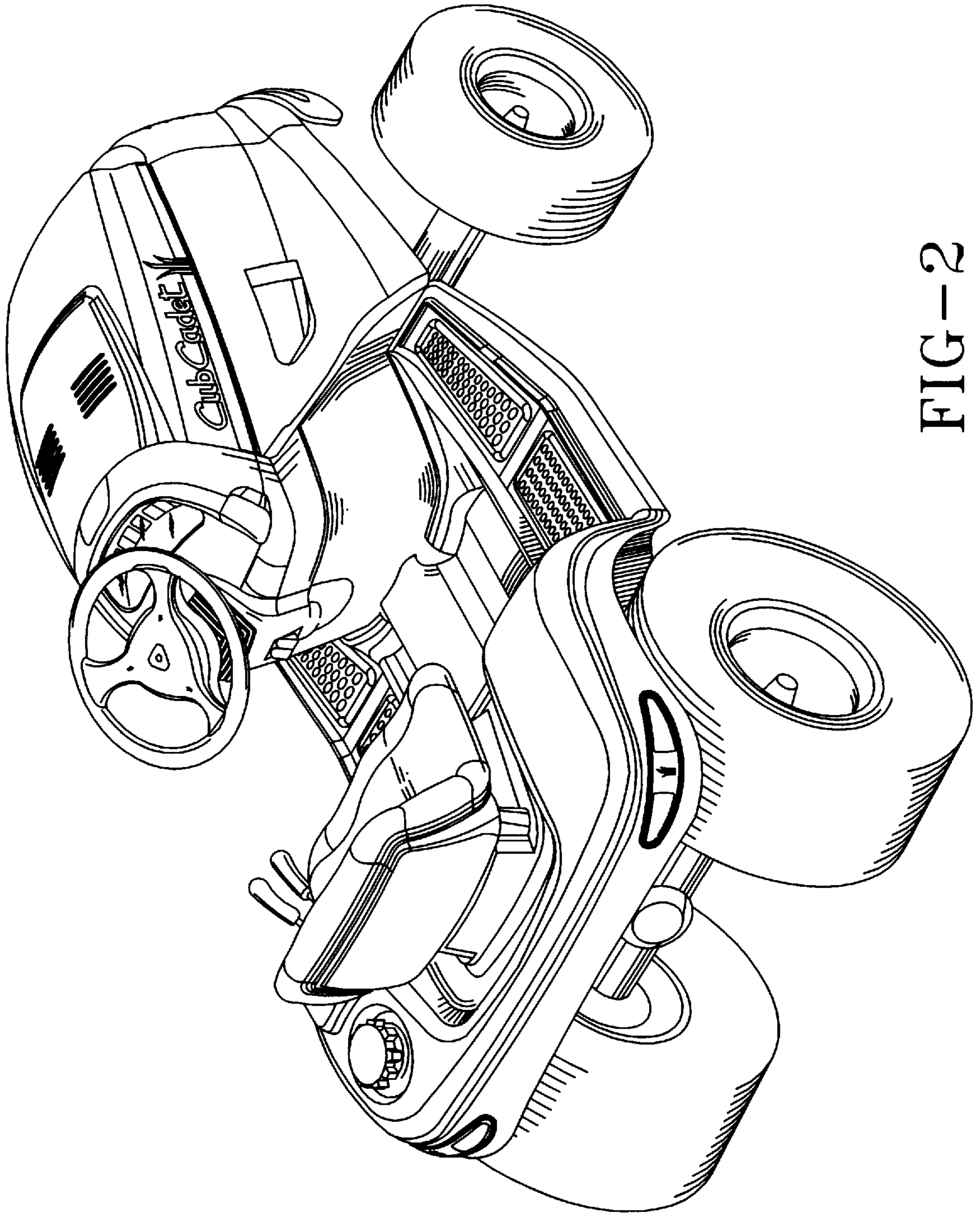


FIG-2

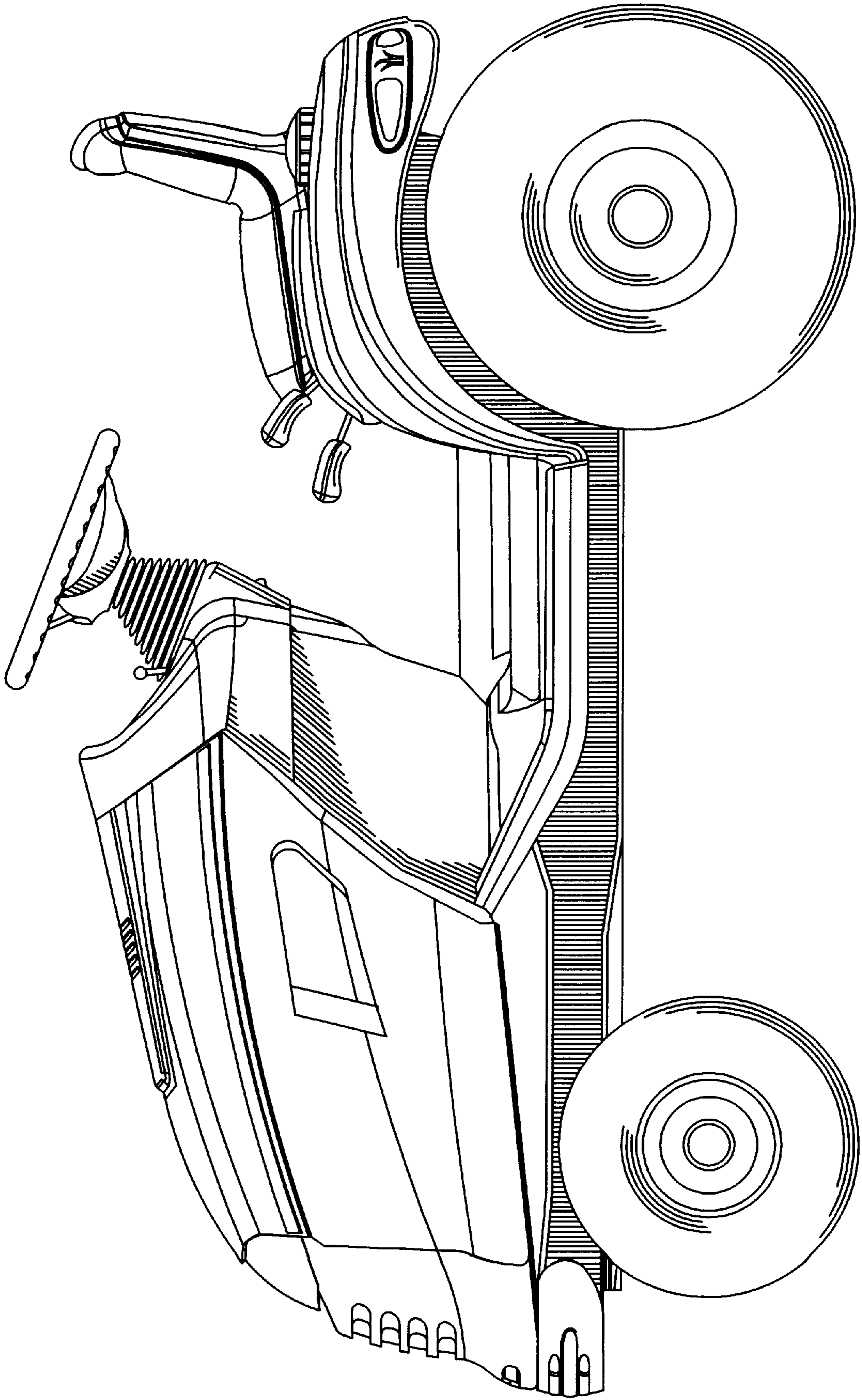


FIG-3

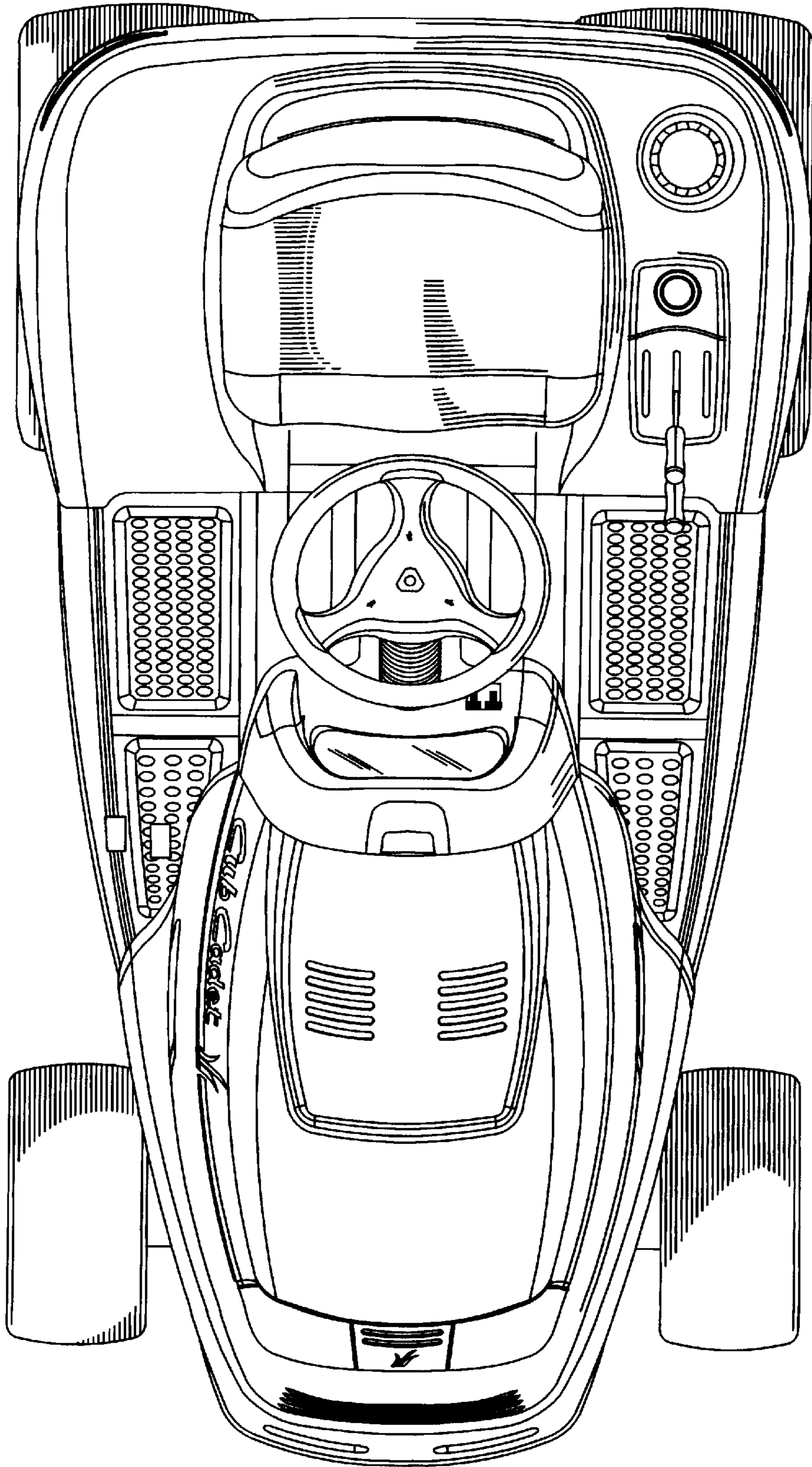


FIG-4