



US00D423519S

United States Patent [19]
Bonzer

[11] **Patent Number: Des. 423,519**

[45] **Date of Patent: ** Apr. 25, 2000**

[54] **CORDLESS INFLATOR**

D. 403,330 12/1998 Williams D15/9

[76] Inventor: **Robert L. Bonzer**, 905 W. Amity Rd.,
Boise, Id. 83705

Primary Examiner—Ralf Seifert
Attorney, Agent, or Firm—Frank J. Dykas

[**] Term: **14 Years**

[57] **CLAIM**

[21] Appl. No.: **29/108,325**

The ornamental design for a cordless inflator, as shown and described.

[22] Filed: **Jul. 23, 1999**

DESCRIPTION

[51] **LOC (6) Cl.** **15-02**

[52] **U.S. Cl.** **D15/9**

[58] **Field of Search** D15/7-9; 417/234,
417/231

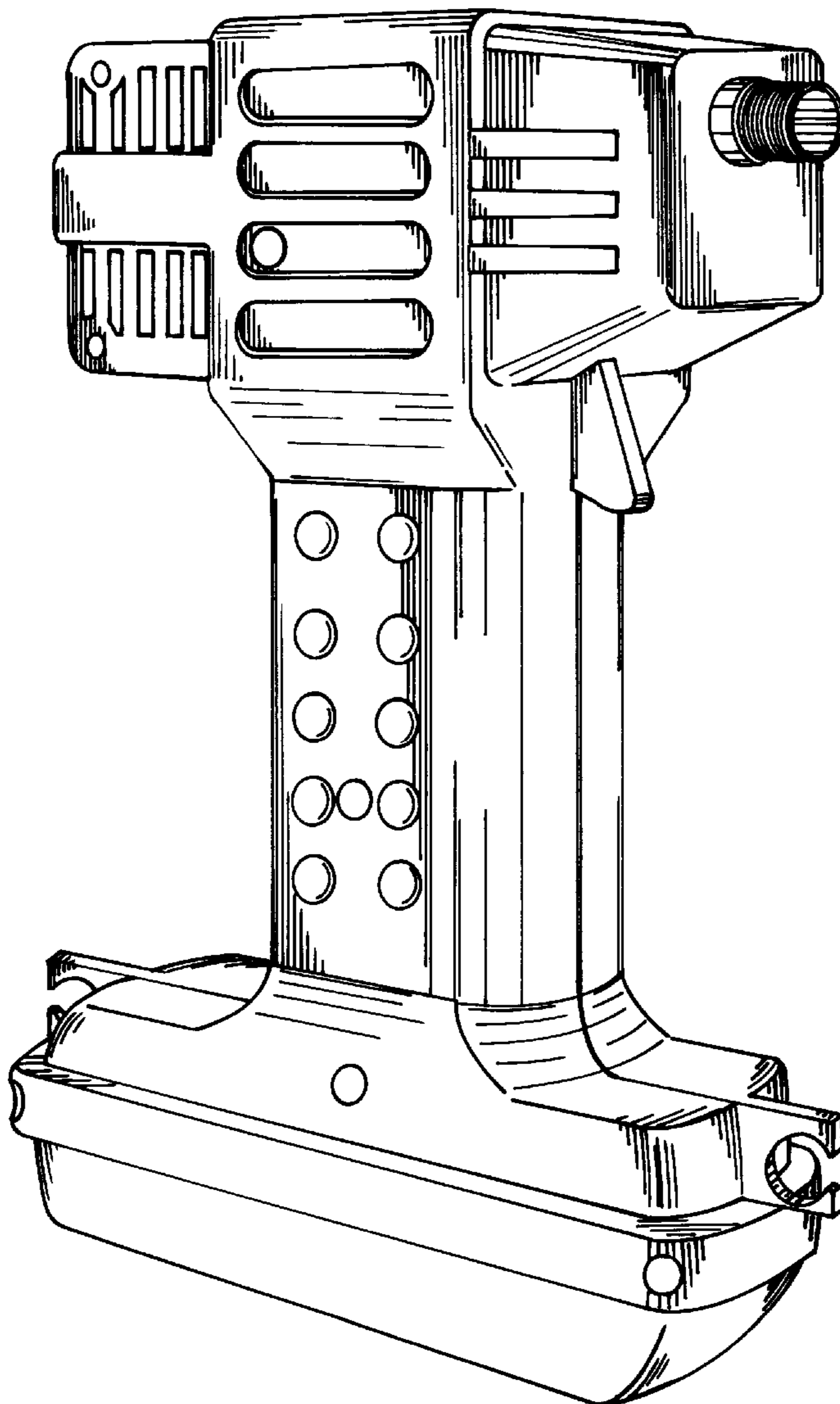
FIG. 1 is a perspective view of a cordless inflator showing my new design;
FIG. 2 is a first side view of the cordless inflator;
FIG. 3 is a second side view of the cordless inflator;
FIG. 4 is a first end view of the cordless inflator;
FIG. 5 is a second end view of the cordless inflator;
FIG. 6 is a top view of the cordless inflator; and,
FIG. 7 is a bottom view of the cordless inflator.

[56] **References Cited**

U.S. PATENT DOCUMENTS

- D. 270,733 9/1983 Davis D15/9
- D. 275,291 8/1984 Dunlap D15/9
- D. 400,892 11/1998 Williams D15/9

1 Claim, 6 Drawing Sheets



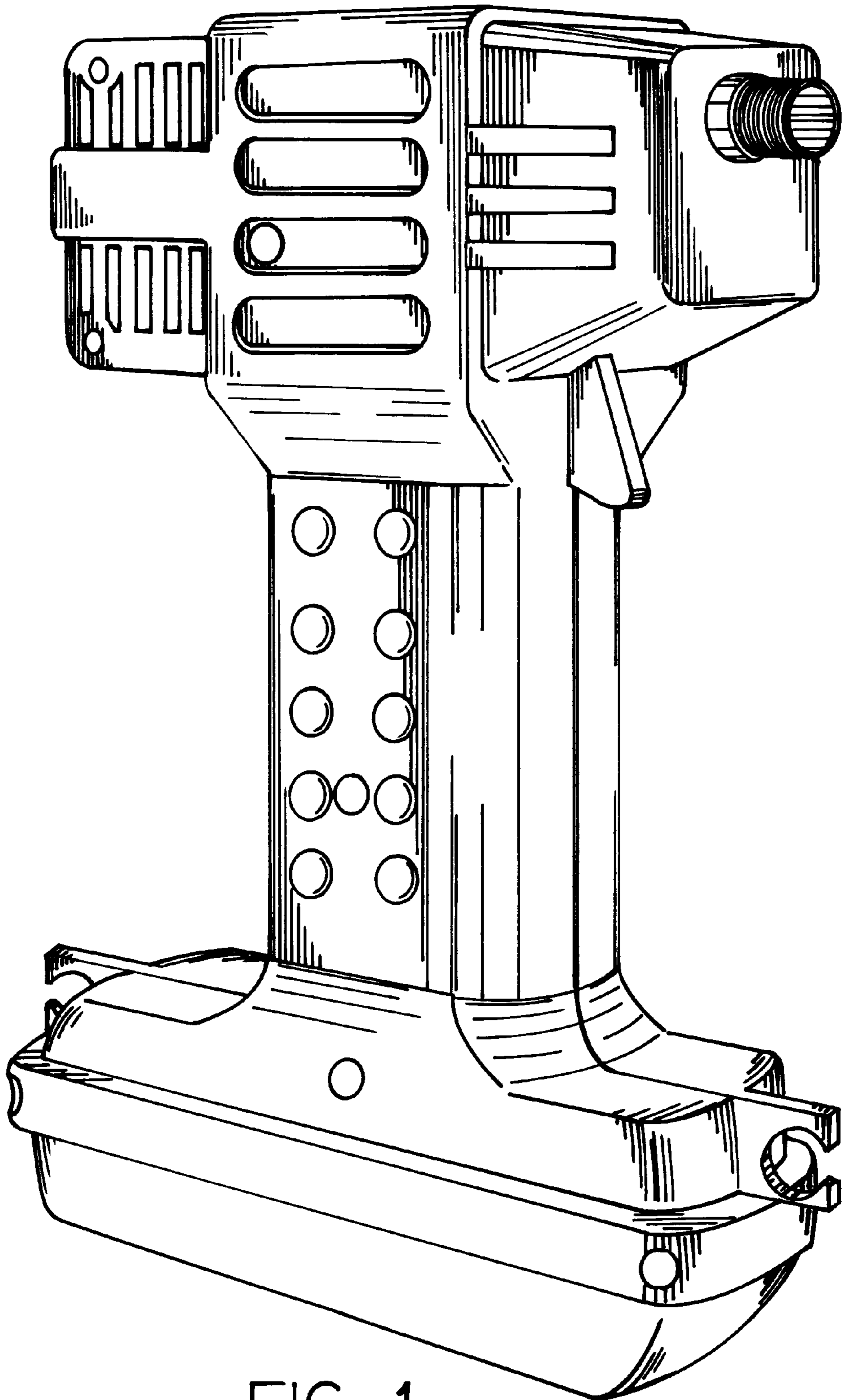


FIG. 1

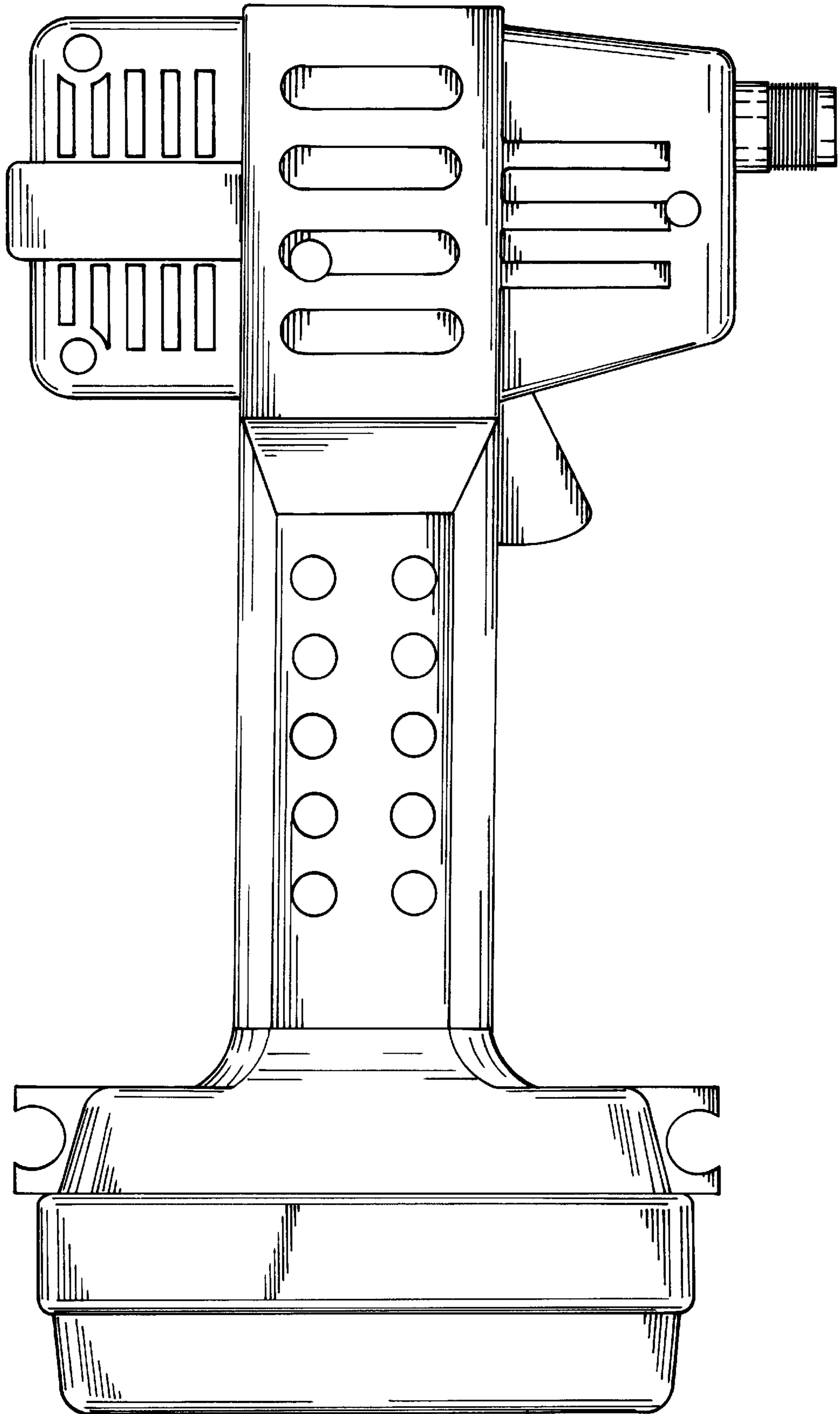


FIG. 2

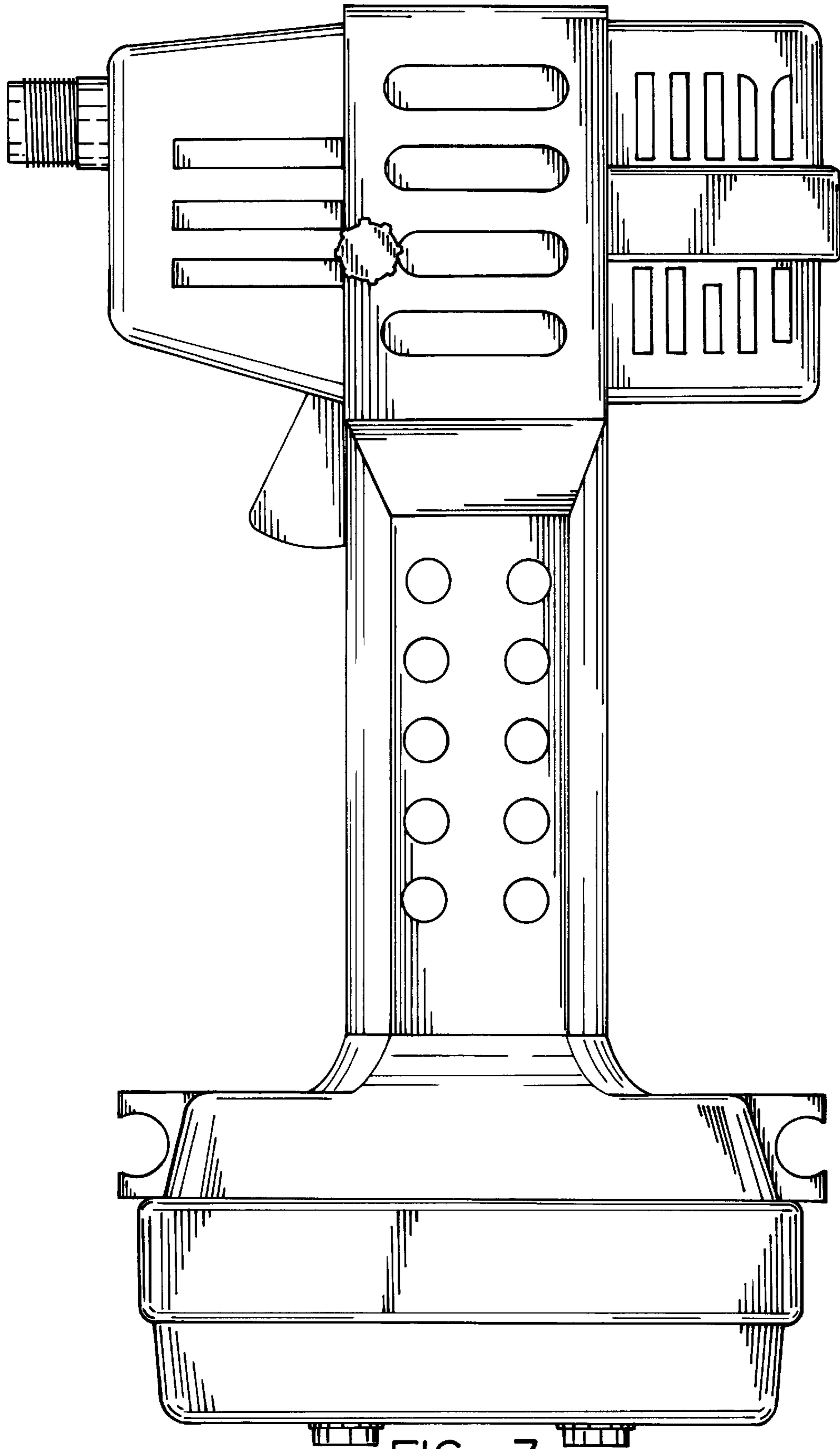


FIG. 3

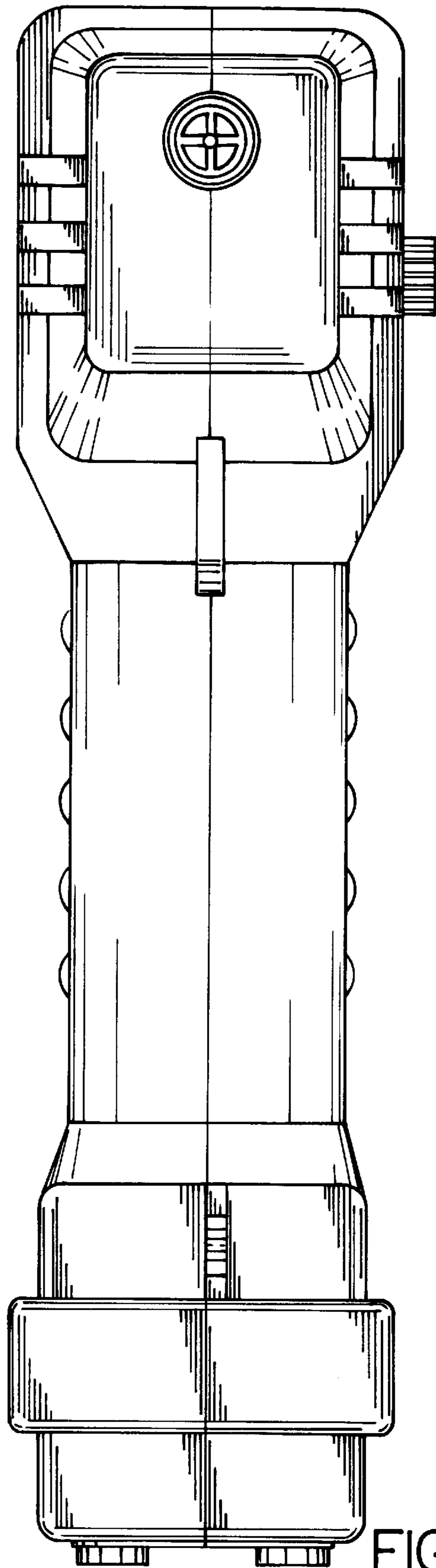


FIG. 4

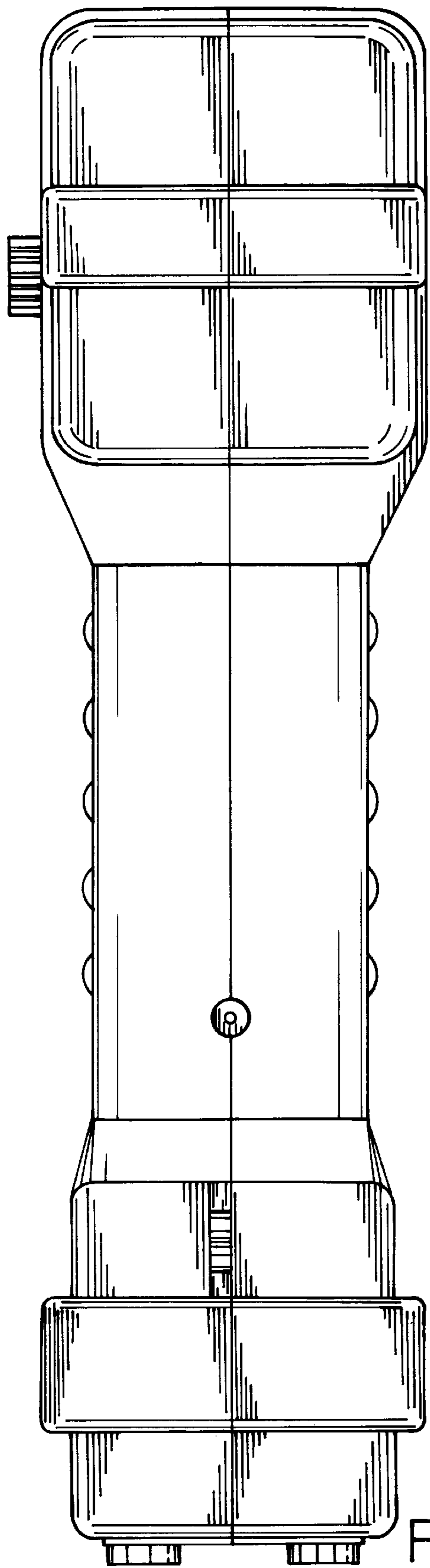


FIG. 5

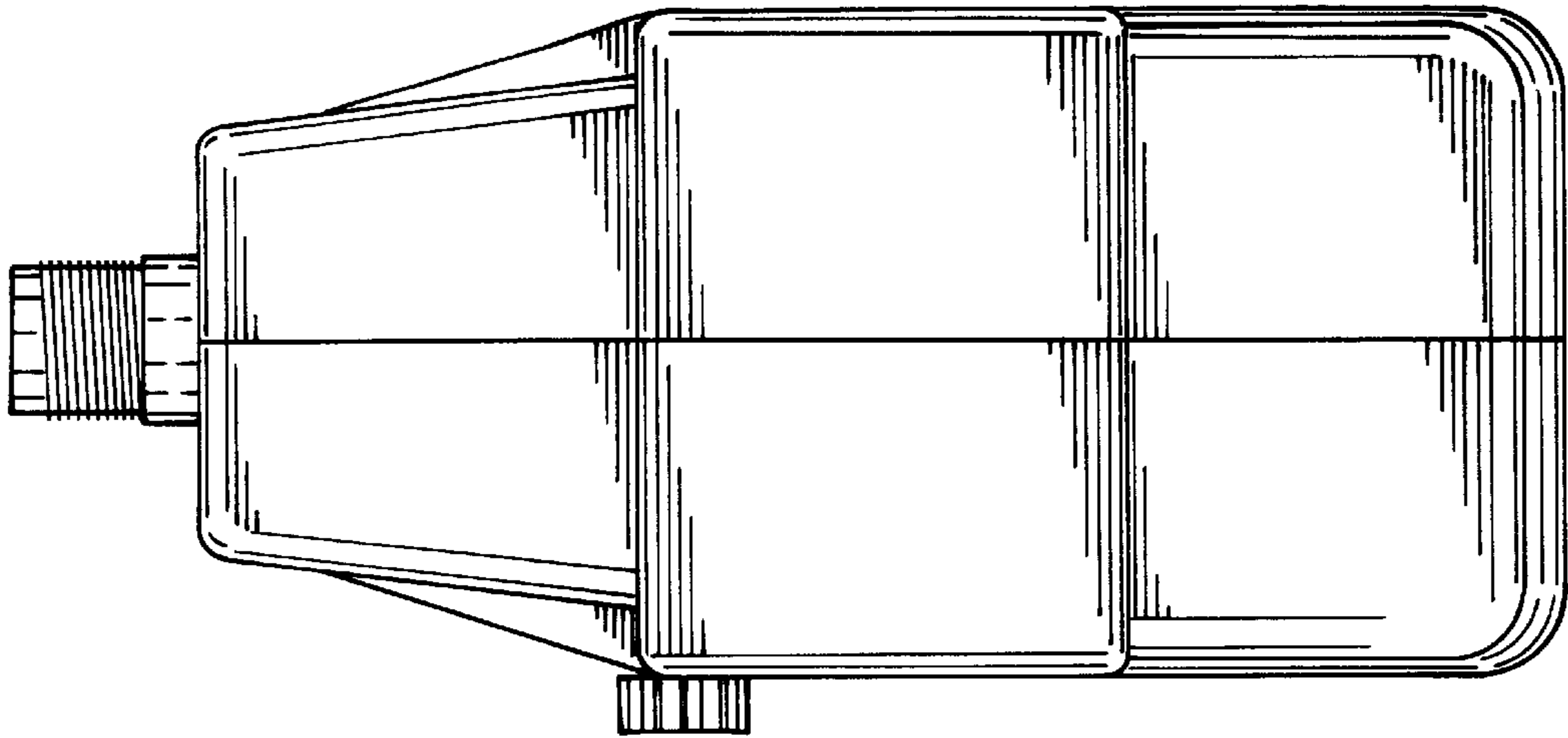


FIG. 6

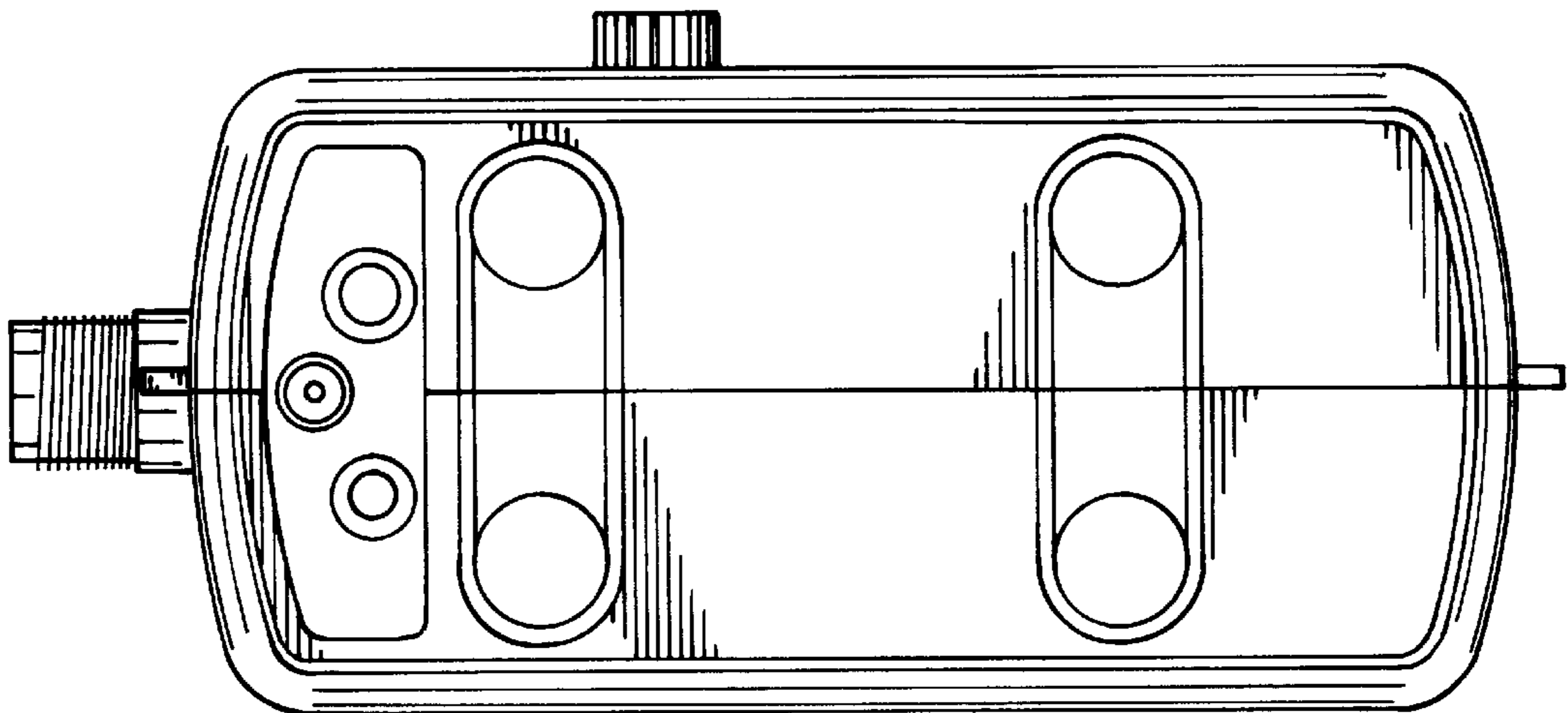


FIG. 7