



US00D423518S

United States Patent [19]

[11] Patent Number: Des. 423,518

Milligan et al.

[45] Date of Patent: ** Apr. 25, 2000

[54] PORTABLE AIR COMPRESSOR

OTHER PUBLICATIONS

[75] Inventors: **Jack Milligan**, Mentor; **Don Muller**, Avon Lake; **Craig Saunders**, Rocky River; **Nicholas E. Stanca**, Westlake, all of Ohio

Accuspray Inc. Brochure, 1997, "AccuCharge™ from AccuSpray®", pp. 7-1 and 7-10.

Accuspray Advertisement for "VERSAMAX—Portable Compressor HVLP System", Lit # VERSA-898©1998.

[73] Assignee: **Accuspray, Inc.**, Cleveland, Ohio

Primary Examiner—Ralf Seifert

Attorney, Agent, or Firm—Fay, Sharpe, Fagan, Minnich & McKee, LLP

[**] Term: **14 Years**

[57] CLAIM

[21] Appl. No.: **29/100,602**

The ornamental design for a portable air compressor, as shown and described.

[22] Filed: **Feb. 12, 1999**

DESCRIPTION

[51] **LOC (6) Cl.** **15-02**

[52] **U.S. Cl.** **D15/9**

[58] **Field of Search** D15/7-9; 417/231, 417/233, 234, 226; 222/176, 178

FIG. 1 is a perspective view of a portable air compressor from the left front showing our new design;

FIG. 2 is a perspective view from the left rear thereof;

FIG. 3 is a top plan view thereof;

FIG. 4 is a right side elevational view thereof;

FIG. 5 is a left side elevational view thereof;

FIG. 6 is a bottom plan view thereof;

FIG. 7 is a rear elevational view thereof; and,

FIG. 8 is a front elevational view thereof.

The elements shown in dotted lines in FIGS. 1-5, 7 and 8 form no part of the claimed design.

[56] References Cited

U.S. PATENT DOCUMENTS

D. 273,011	3/1984	Dudley	D15/9
D. 293,446	12/1987	Morgan	D15/9
D. 293,584	1/1988	Morgan	D15/9
D. 293,585	1/1988	Morgan	D15/9
4,565,488	1/1986	Muck	.	
4,869,641	9/1989	Hufgard	.	

1 Claim, 4 Drawing Sheets

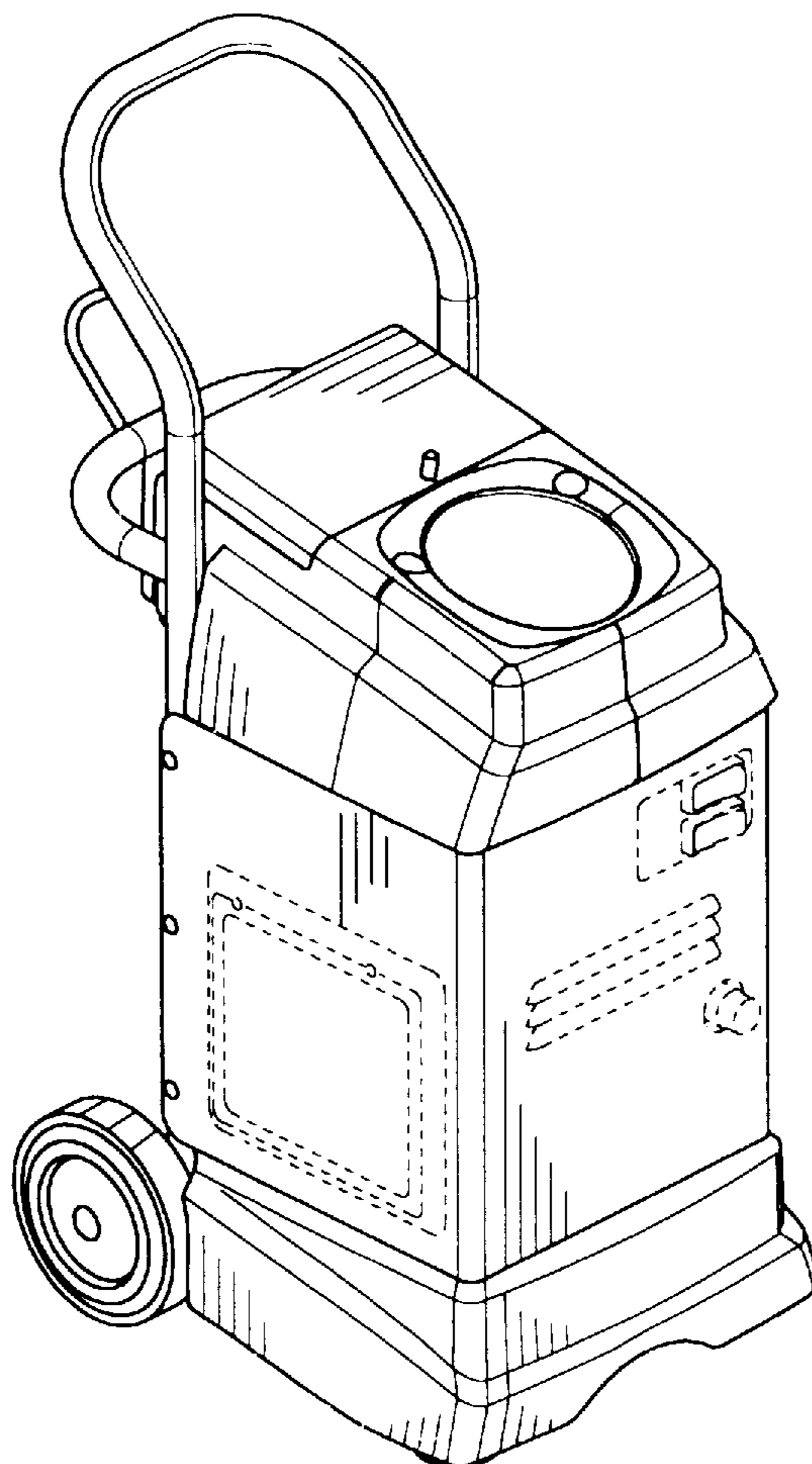


FIG.1

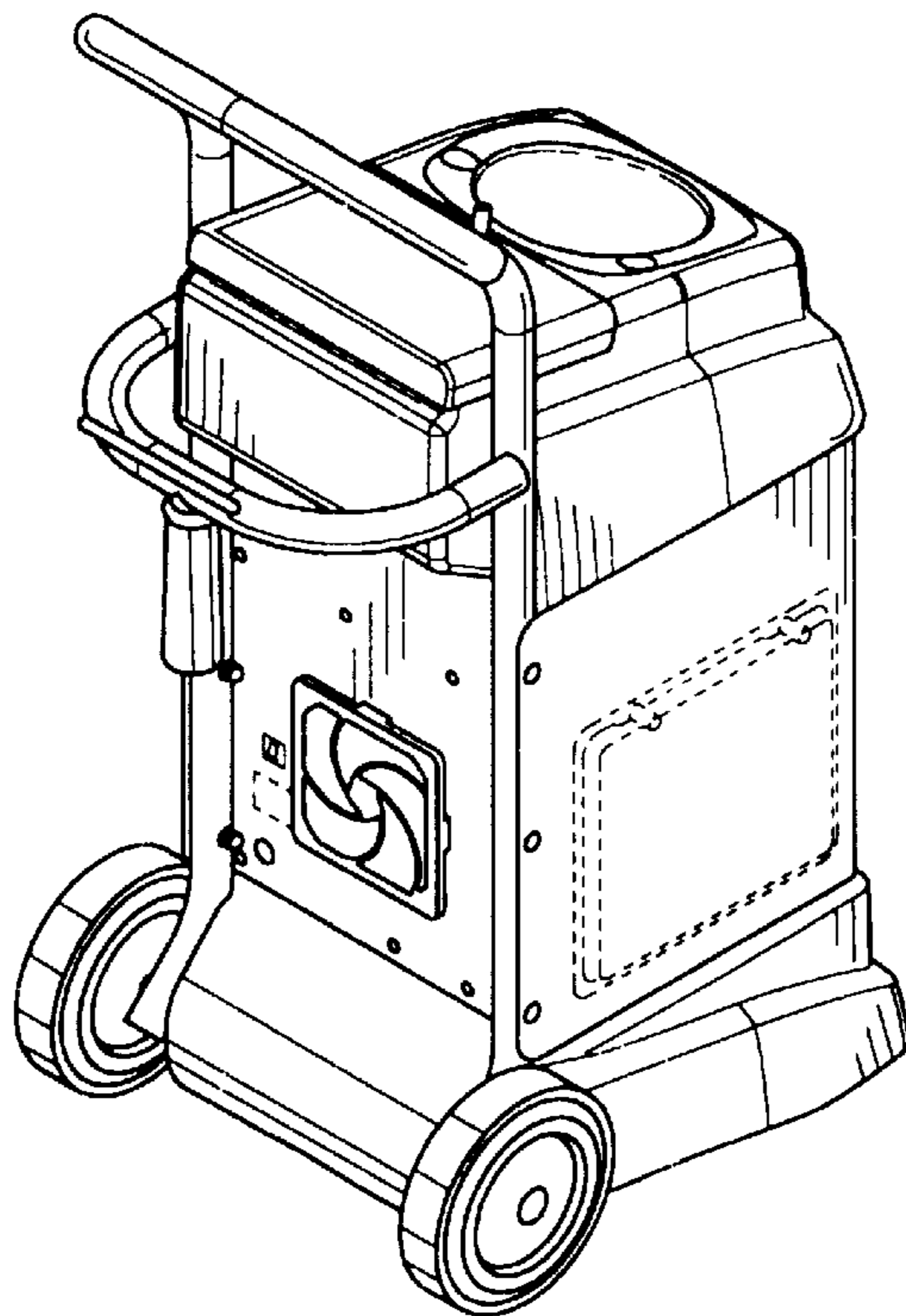
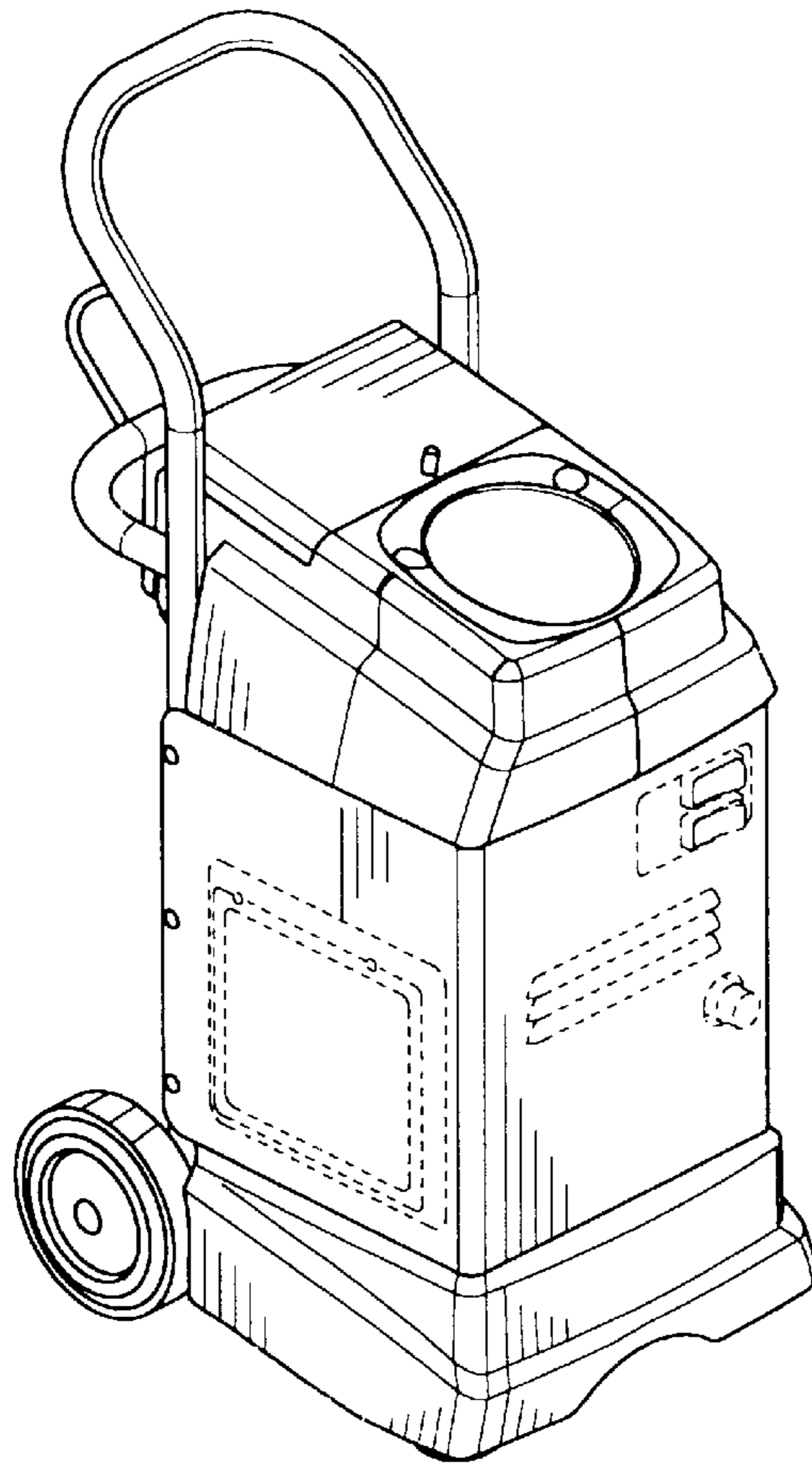


FIG.2

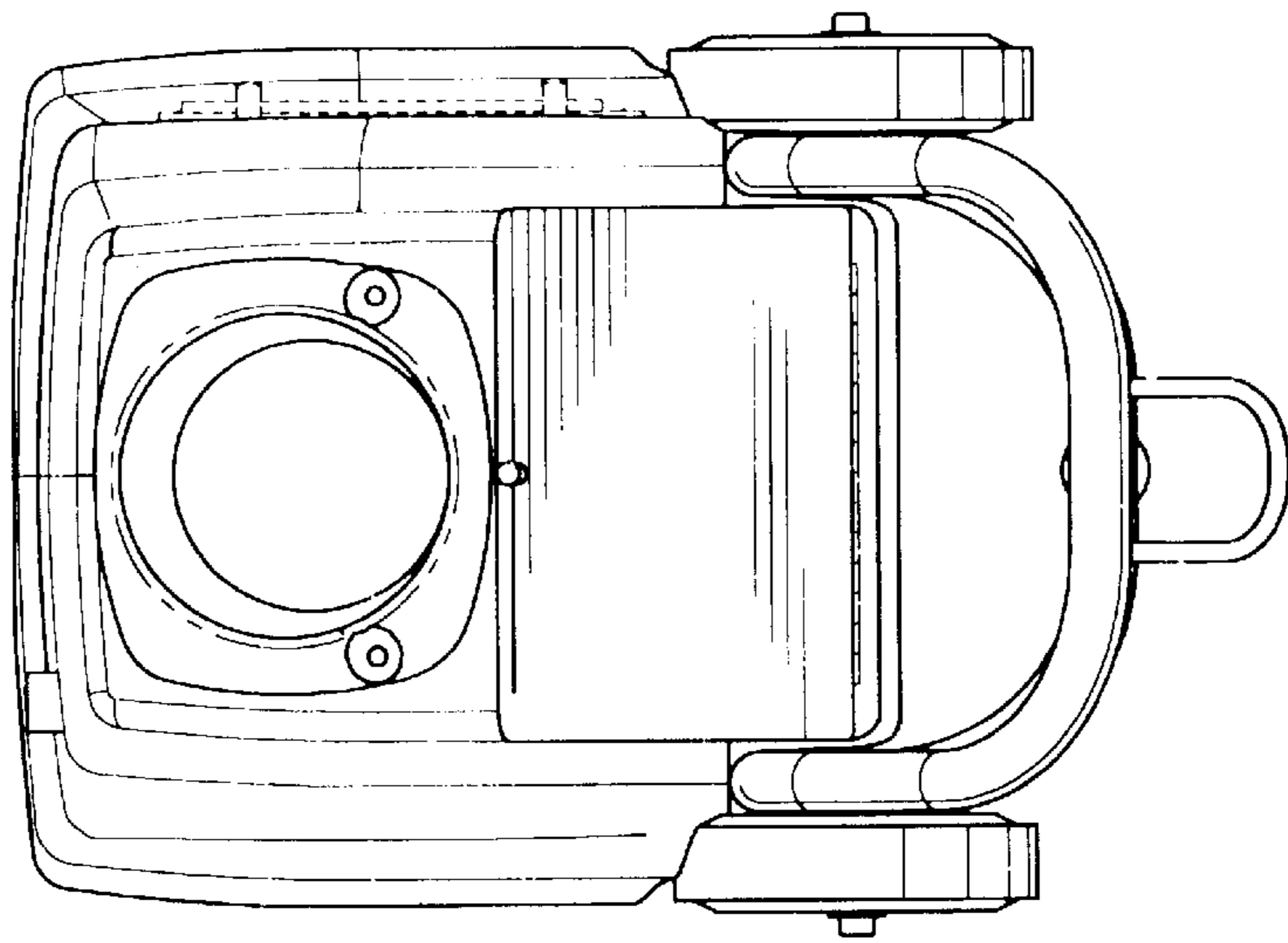
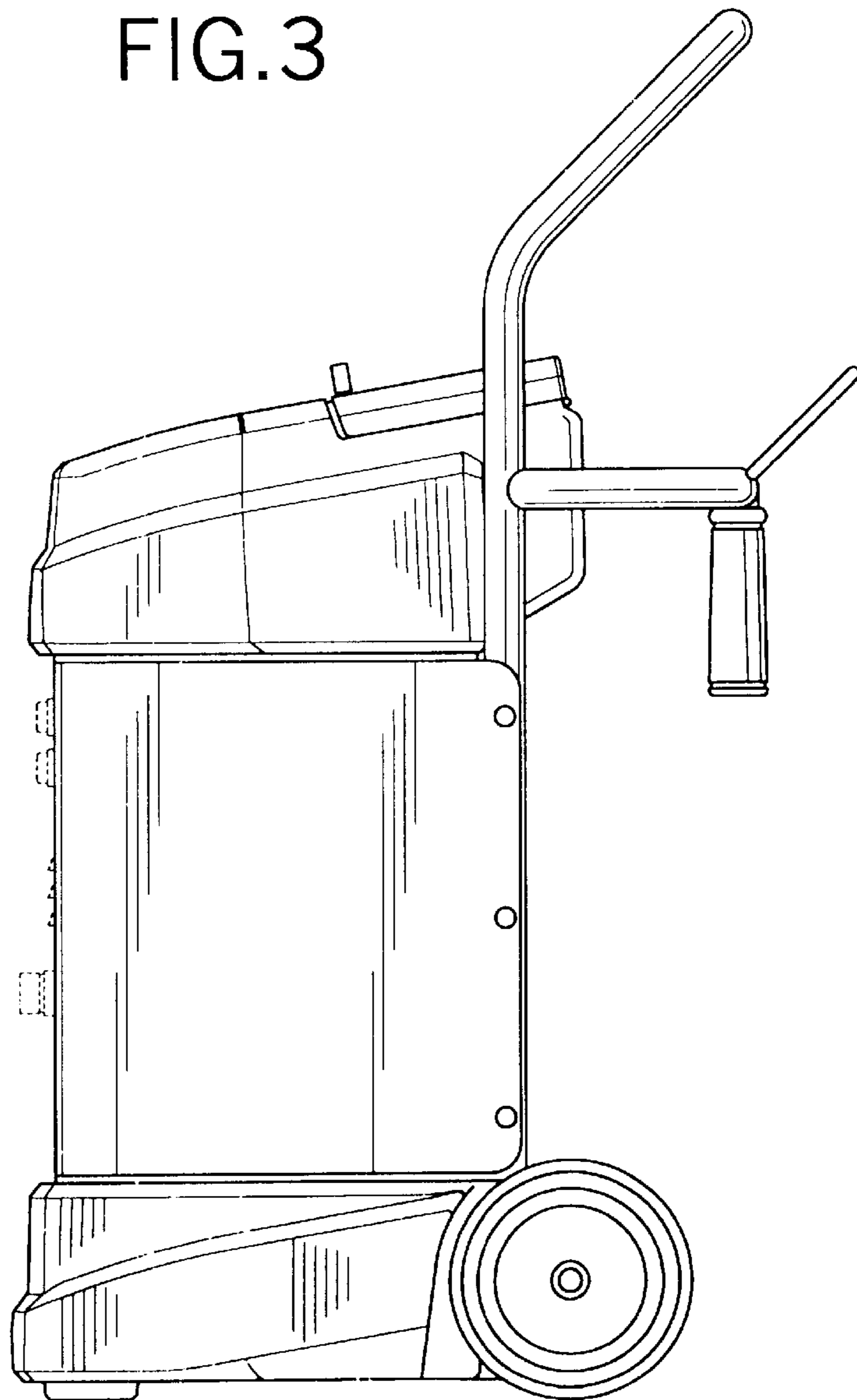


FIG. 3

FIG. 4



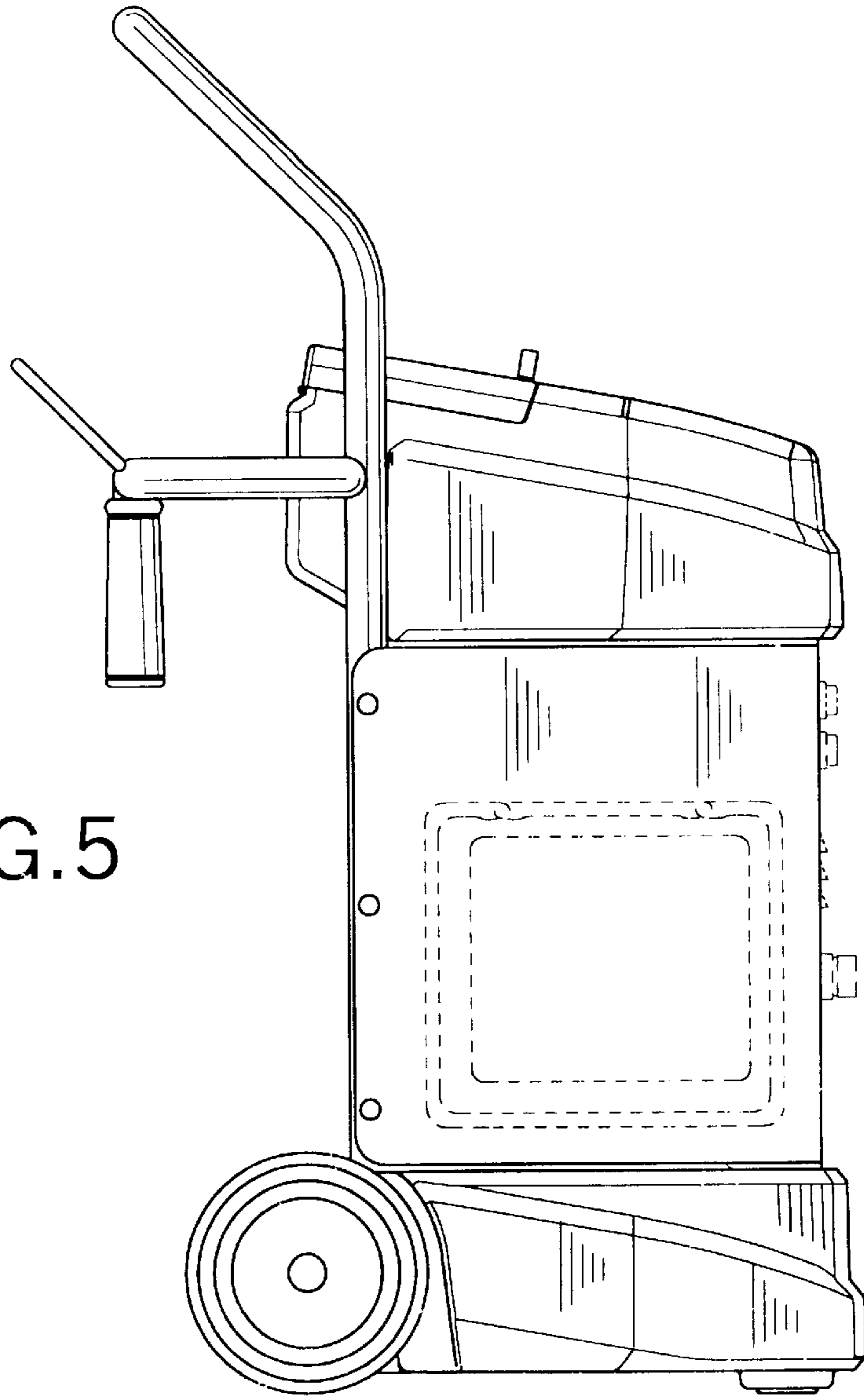


FIG. 5

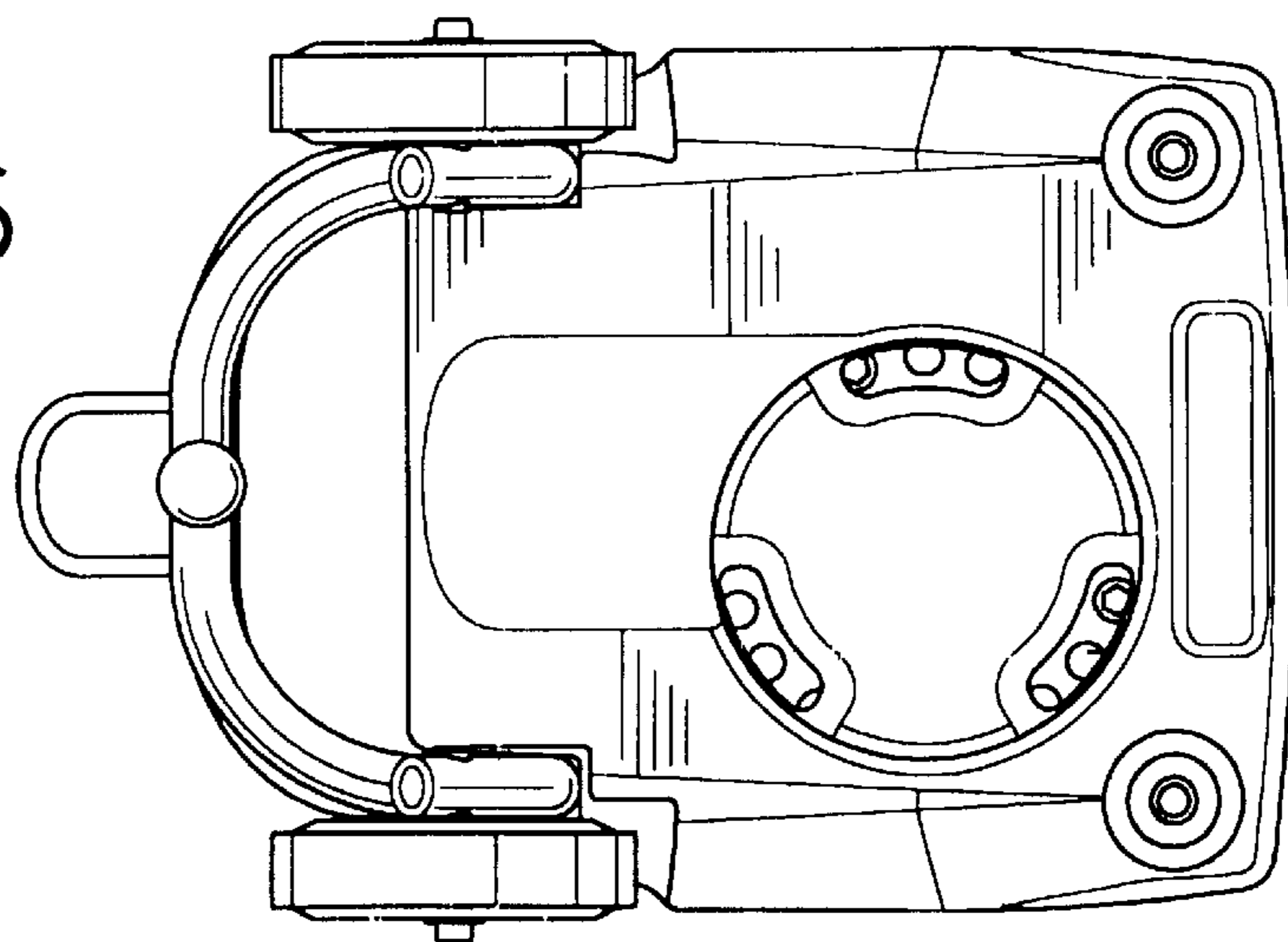


FIG. 6

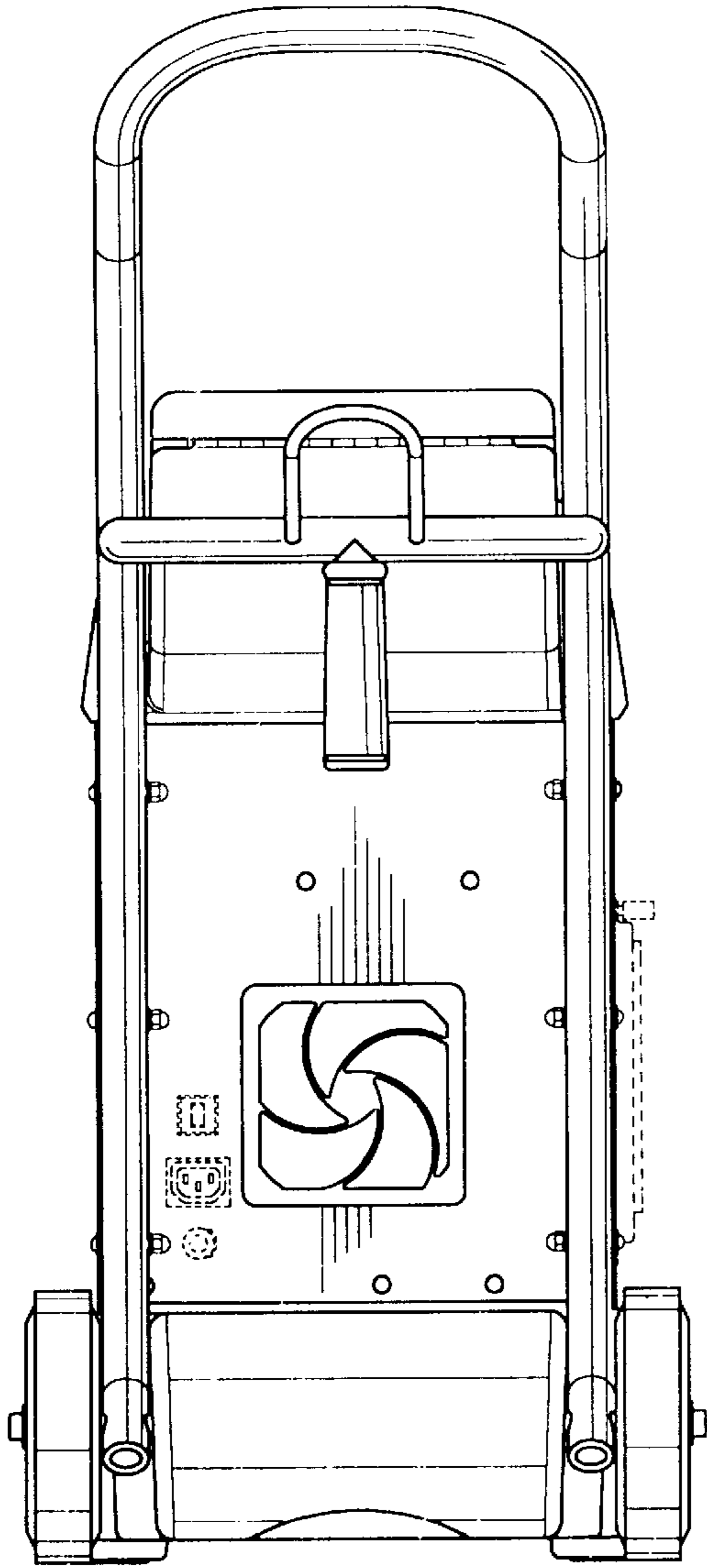


FIG. 7

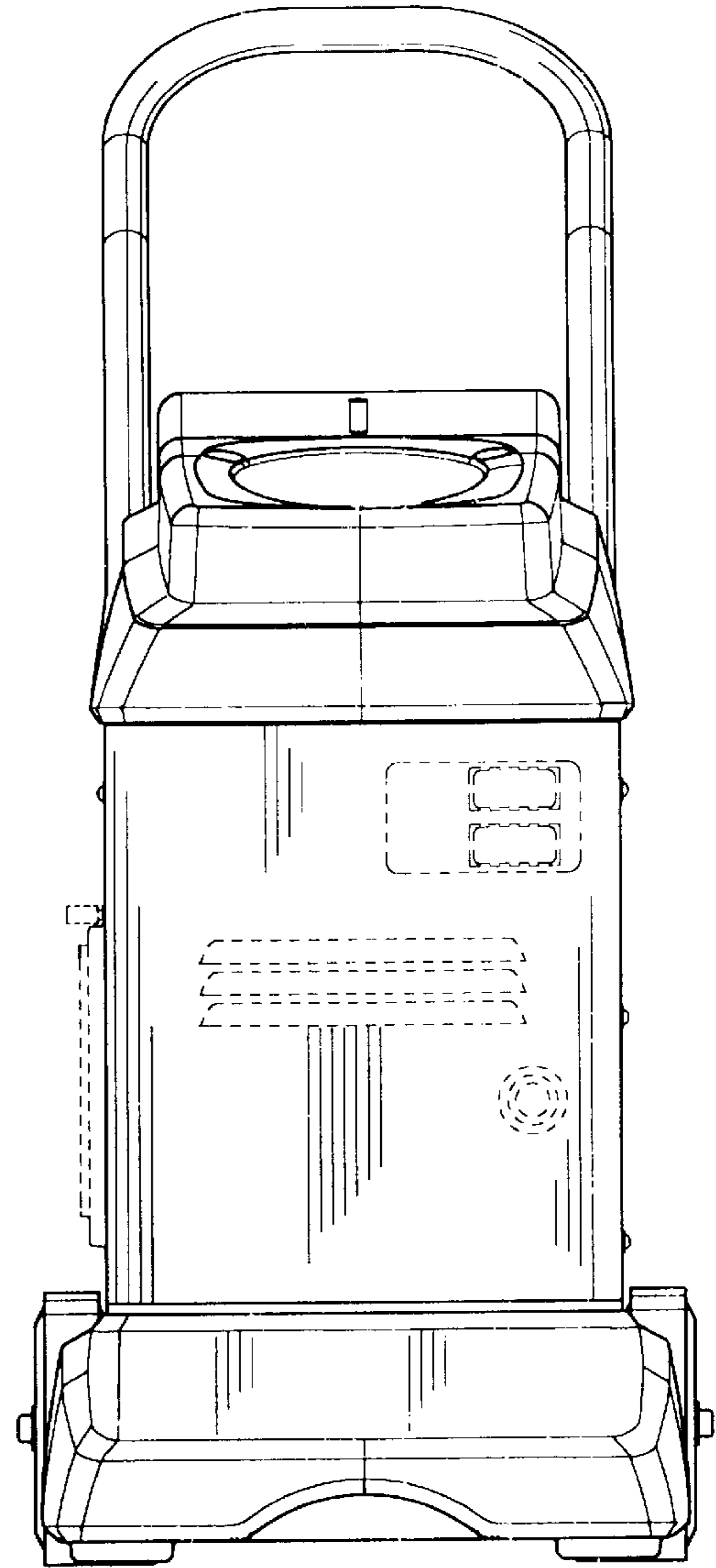


FIG. 8