



US00D423517S

United States Patent [19] Collins

[11] Patent Number: **Des. 423,517**

[45] Date of Patent: **** Apr. 25, 2000**

[54] **ELASTOMERIC TACTILE SURFACES FOR A RADIOTELEPHONE**

[75] Inventor: **Christopher T. Collins**, Cary, N.C.

[73] Assignee: **Ericsson Inc.**, Research Triangle Park, N.C.

[**] Term: **14 Years**

[21] Appl. No.: **29/100,267**

[22] Filed: **Feb. 8, 1999**

[51] **LOC (6) Cl.** **14-03**

[52] **U.S. Cl.** **D14/248**

[58] **Field of Search** D14/137, 218, D14/138, 144, 147-148, 247-249, 140-142, 250, 240, 100, 115, 191, 163, 156; 379/433.434, 419, 420, 428, 440, 368; 455/550-575, 90; D18/2, 7

[56] **References Cited**

U.S. PATENT DOCUMENTS

D. 291,804	9/1987	George	D14/138
D. 316,410	4/1991	Watanabe et al.	D14/138
D. 320,984	10/1991	Tattari	D14/138
D. 323,325	1/1992	Seki	D14/138
D. 325,576	4/1992	Pitkonen	D14/138
D. 342,067	12/1993	Kawamura et al.	D14/138
D. 352,707	11/1994	Ino et al.	D14/138
D. 355,183	2/1995	Ino et al.	D14/138
D. 355,185	2/1995	Watanabe	D14/138
D. 367,648	3/1996	Smith et al.	D14/100

D. 388,431	12/1997	Takayasu et al.	D14/138
D. 389,828	1/1998	Kutsuzawa	D14/138
D. 390,848	2/1998	Santee et al.	D14/240
D. 401,935	12/1998	Scalisi et al.	D14/191
4,672,685	6/1987	Phillips et al.	455/575

FOREIGN PATENT DOCUMENTS

878007 9/1993 Japan .

Primary Examiner—Jeffrey Asch
Attorney, Agent, or Firm—Myers Bigel Sibley & Sajovec, P.A.

[57] **CLAIM**

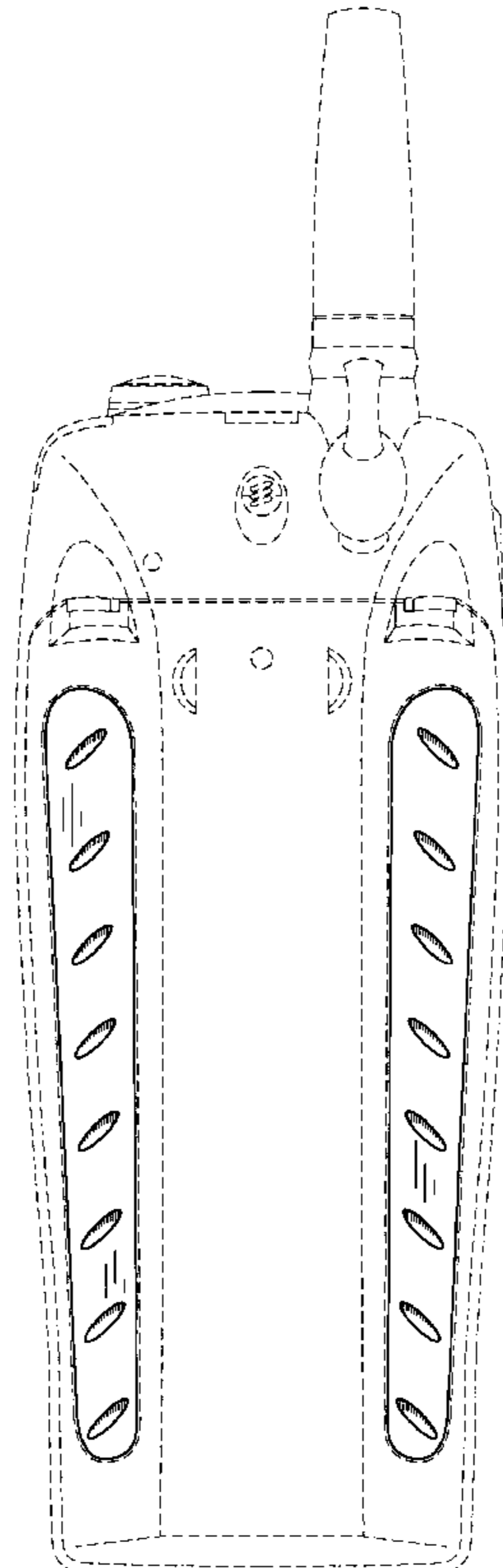
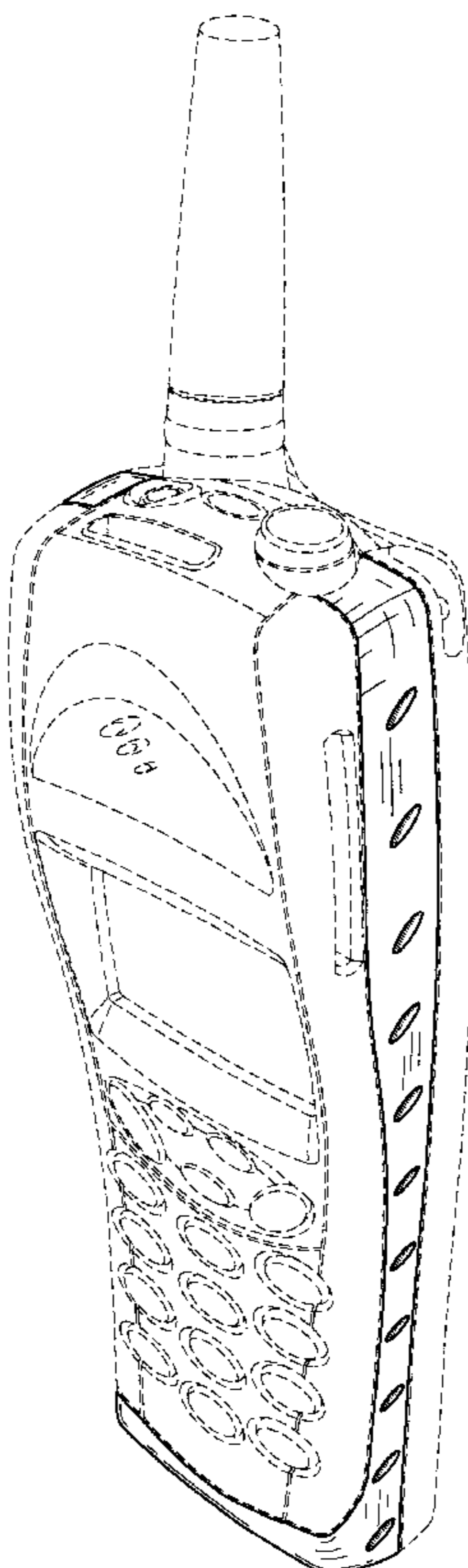
The ornamental design for elastomeric tactile surfaces for a radiotelephone, as shown and described.

DESCRIPTION

FIG. 1 is a perspective view of the elastomeric tactile surfaces for a radiotelephone showing my new design in the environment of a radiotelephone;
FIG. 2 is a front view thereof;
FIG. 3 is a rear view thereof;
FIG. 4 is a side view thereof;
FIG. 5 is an opposite side view thereof;
FIG. 6 is a top view thereof; and,
FIG. 7 is a bottom view thereof.

The broken lines shown herein are for illustrative purposes only and form no part of the claimed design.
The boundary of the article, not shown by means of a solid line at the top right in FIGS. 1 and 6, is defined by, but does not include, the broken line therein.

1 Claim, 4 Drawing Sheets



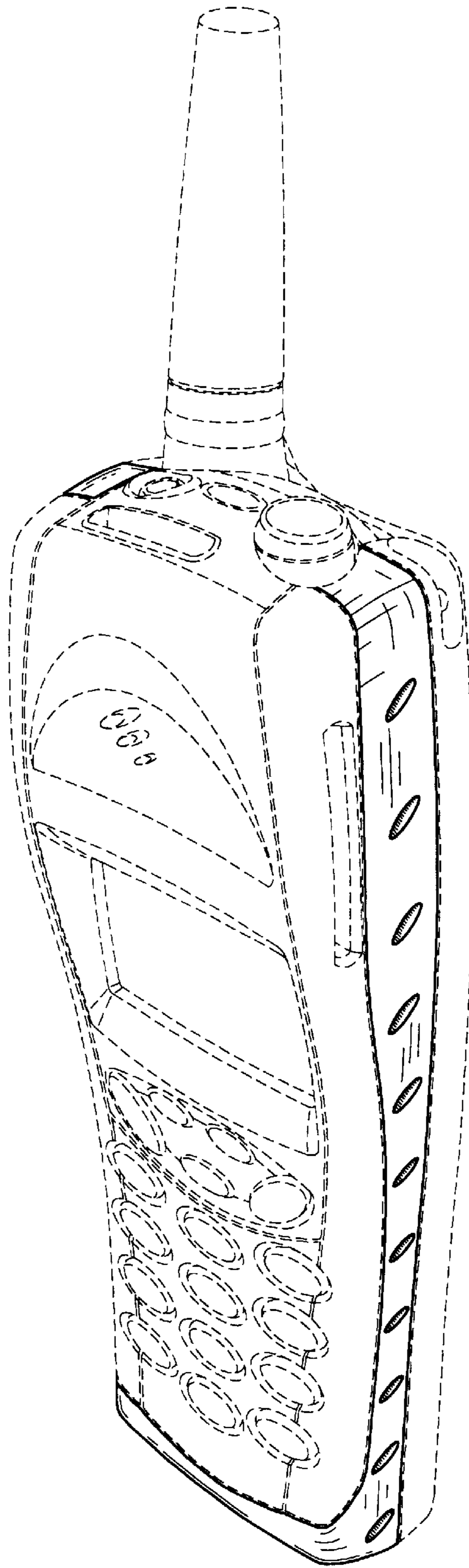


FIG. 1

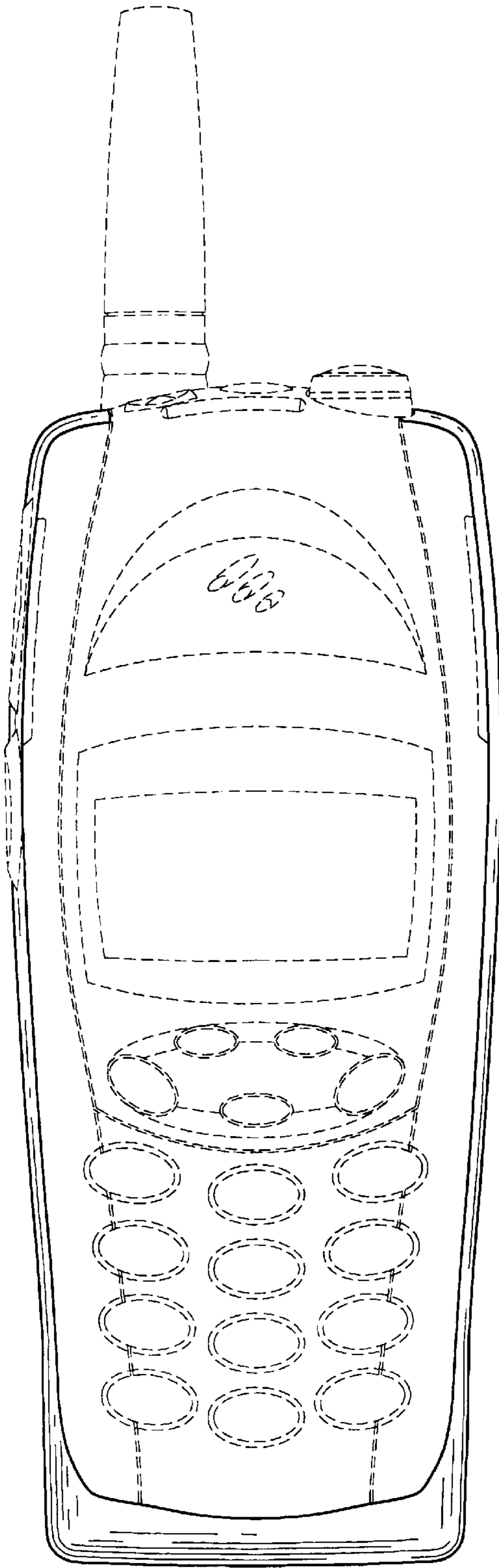


FIG. 2

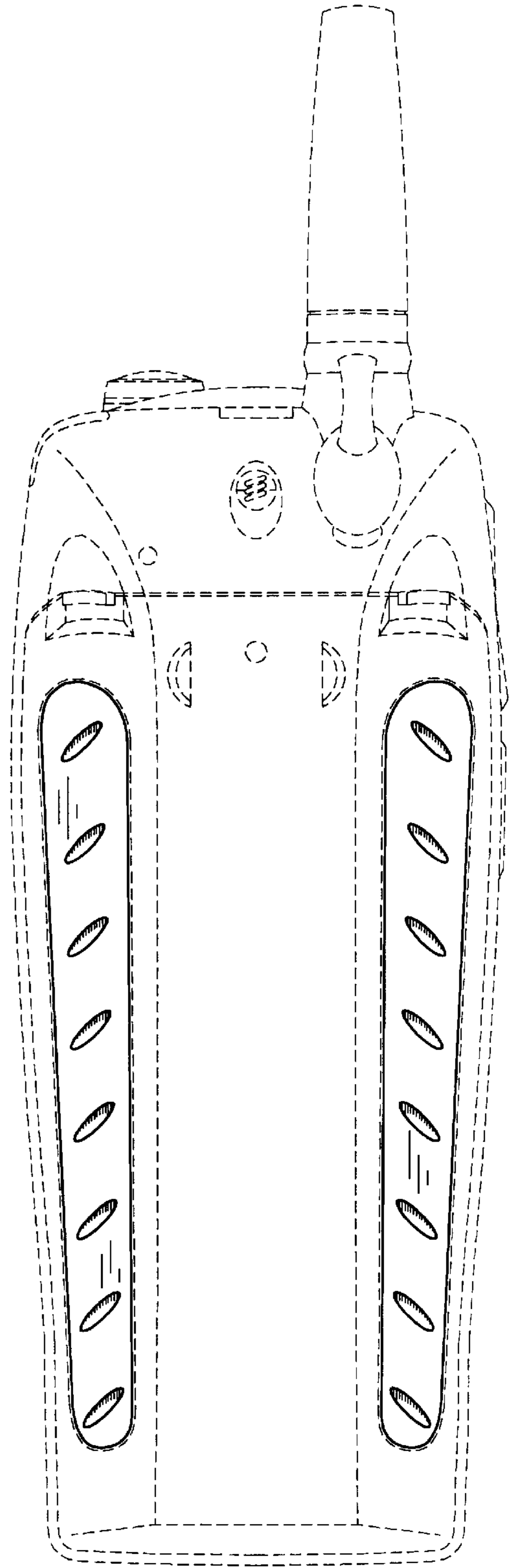


FIG. 3

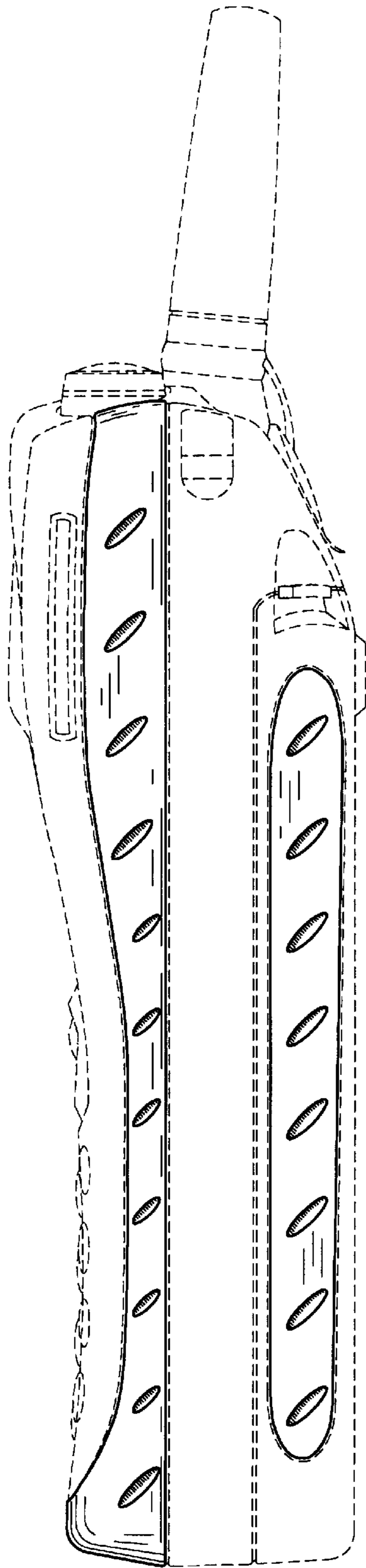


FIG. 4

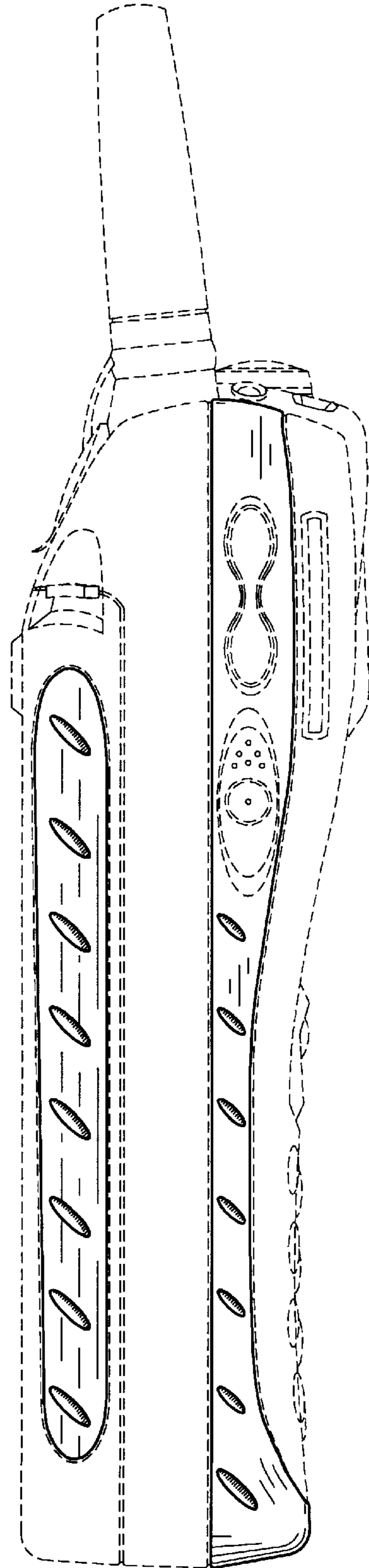


FIG. 5

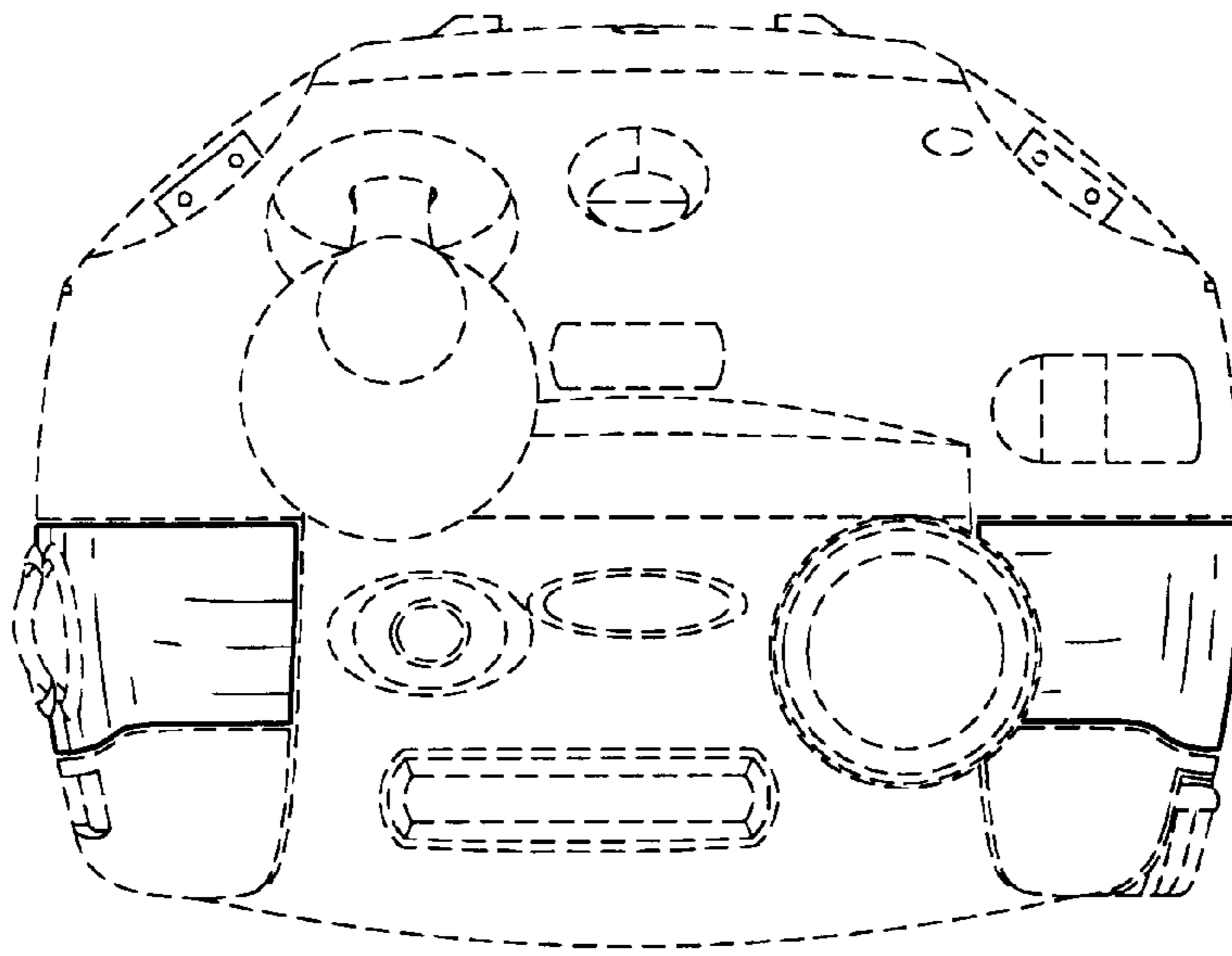


FIG. 6

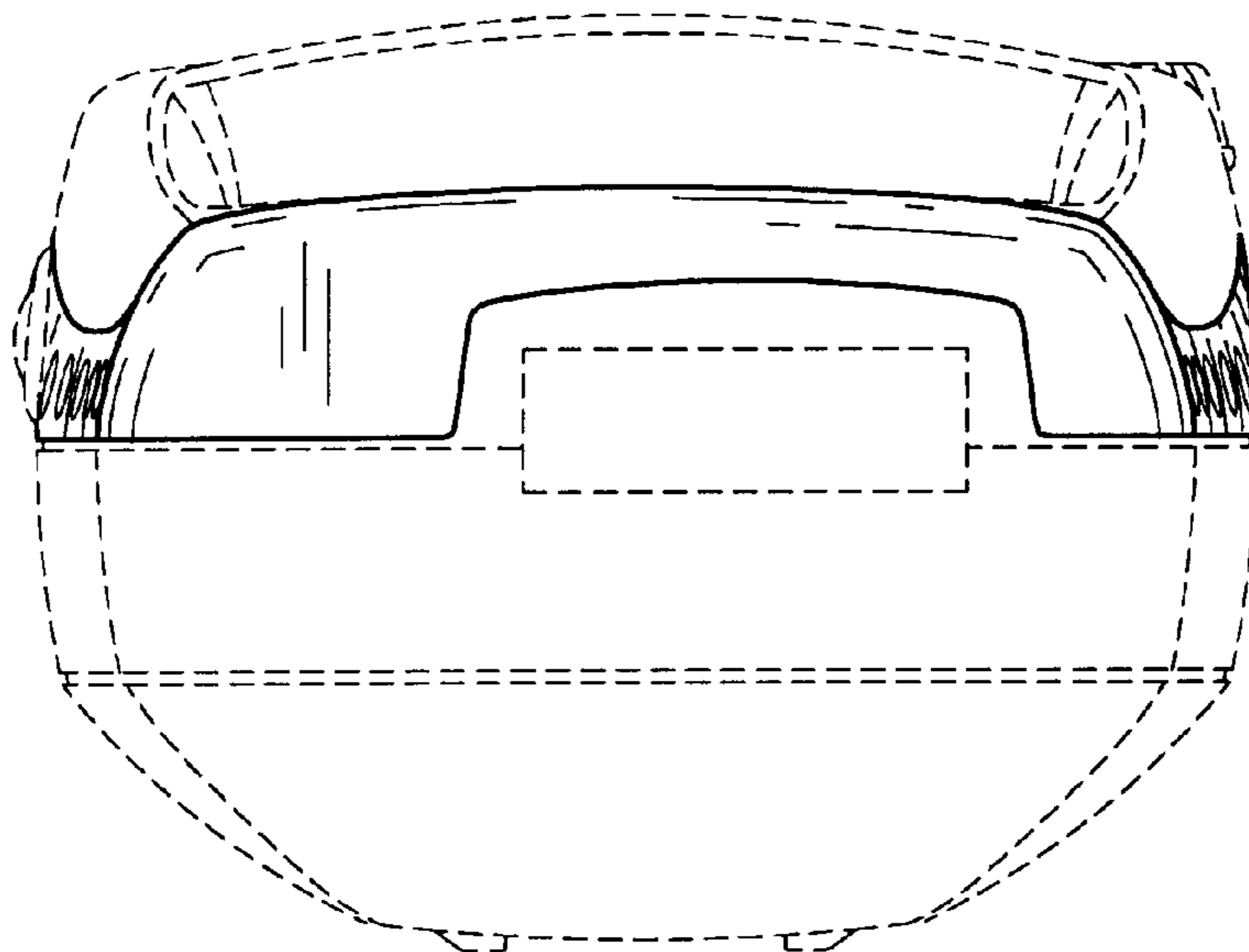


FIG. 7