



US00D423514S

United States Patent [19] Shindo

[11] **Patent Number: Des. 423,514**

[45] **Date of Patent: ** Apr. 25, 2000**

[54] **DIAL PORTION OF SELECTOR**

[75] Inventor: **Koji Shindo**, Tokyo, Japan

[73] Assignee: **Sony Corporation**, Tokyo, Japan

[**] Term: **14 Years**

[21] Appl. No.: **29/101,279**

[22] Filed: **Mar. 1, 1999**

Related U.S. Application Data

[62] Division of application No. 29/093,898, Sep. 21, 1998.

[51] **LOC (6) Cl.** **14-03**

[52] **U.S. Cl.** **D14/240; D14/257**

[58] **Field of Search** D14/137, 117.9, D14/138, 217, 148, 147, 149-151, 140-142, 257, 240, 155, 159, 100, 107, 114, 191; 379/433-436, 419, 420, 428, 440, 142, 441, 442; D13/162, 164, 184; D10/2, 15, 75; 455/550-575, 90; D21/324, 331

[56] **References Cited**

U.S. PATENT DOCUMENTS

- D. 156,571 12/1949 Snow D10/75 X
- D. 247,565 3/1978 Murakami D14/137
- D. 274,648 7/1984 Swanson D10/75
- D. 306,998 4/1990 Mintz et al. D13/168 X

- D. 314,772 2/1991 Pierce et al. D14/137
- D. 341,129 11/1993 McCormick D13/168
- D. 363,282 10/1995 Wicks et al. D14/141
- D. 364,648 11/1995 Osterhout D21/324
- D. 373,149 8/1996 Kawasaki D14/117.9

OTHER PUBLICATIONS

Catalog "Accessory 61", pp. 10, 11 and 67, Sony, (Jul. 1997).

Catalog "Accessory 64", p. 64, Sony, (Jul. 1998).

Primary Examiner—Jeffrey Asch
Attorney, Agent, or Firm—Foley & Lardner

[57] **CLAIM**

The ornamental design for a dial portion of a selector, as shown and described.

DESCRIPTION

FIG. 1 is a perspective view of a dial portion of a selector showing my new design;
FIG. 2 is a front elevational view thereof;
FIG. 3 is a bottom plan view thereof, a top plan view thereof being a mirror image; and,
FIG. 4 is a right side elevational view thereof, a left side elevational view thereof being a mirror image. The body portion of a selector in broken lines is for illustrative purpose only and forms no part of claimed design.

1 Claim, 2 Drawing Sheets

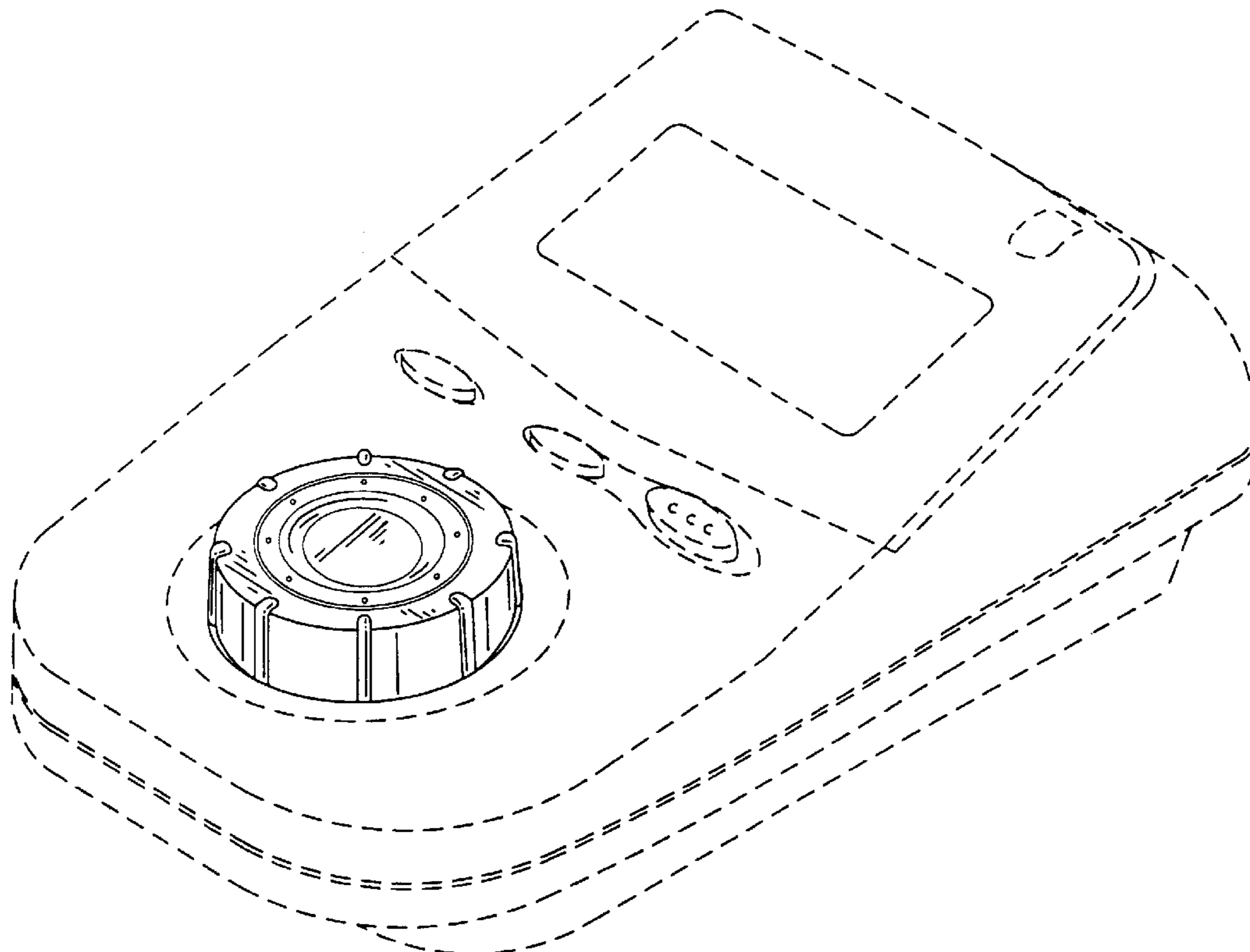


FIG. 1

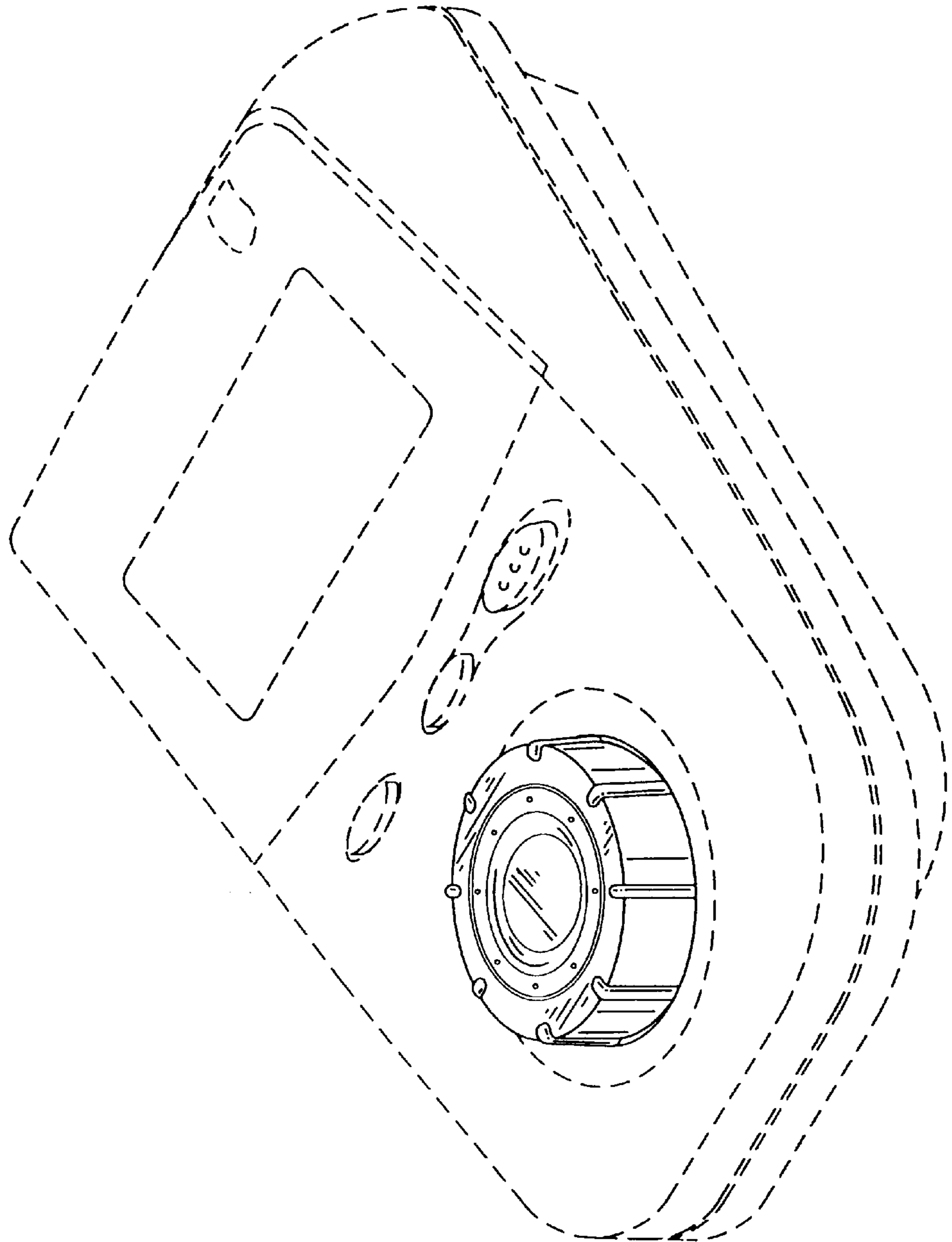


FIG. 2

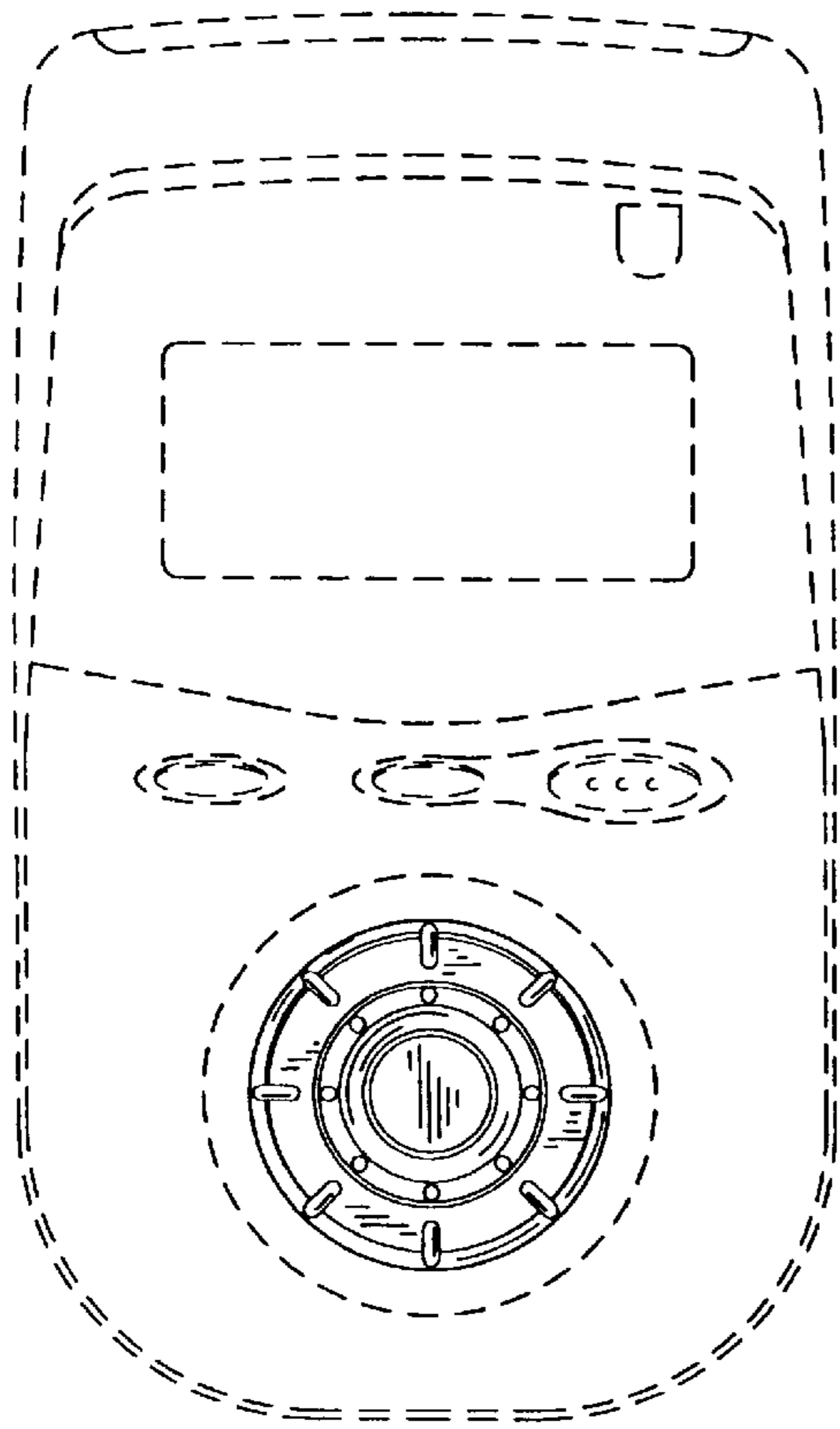


FIG. 4

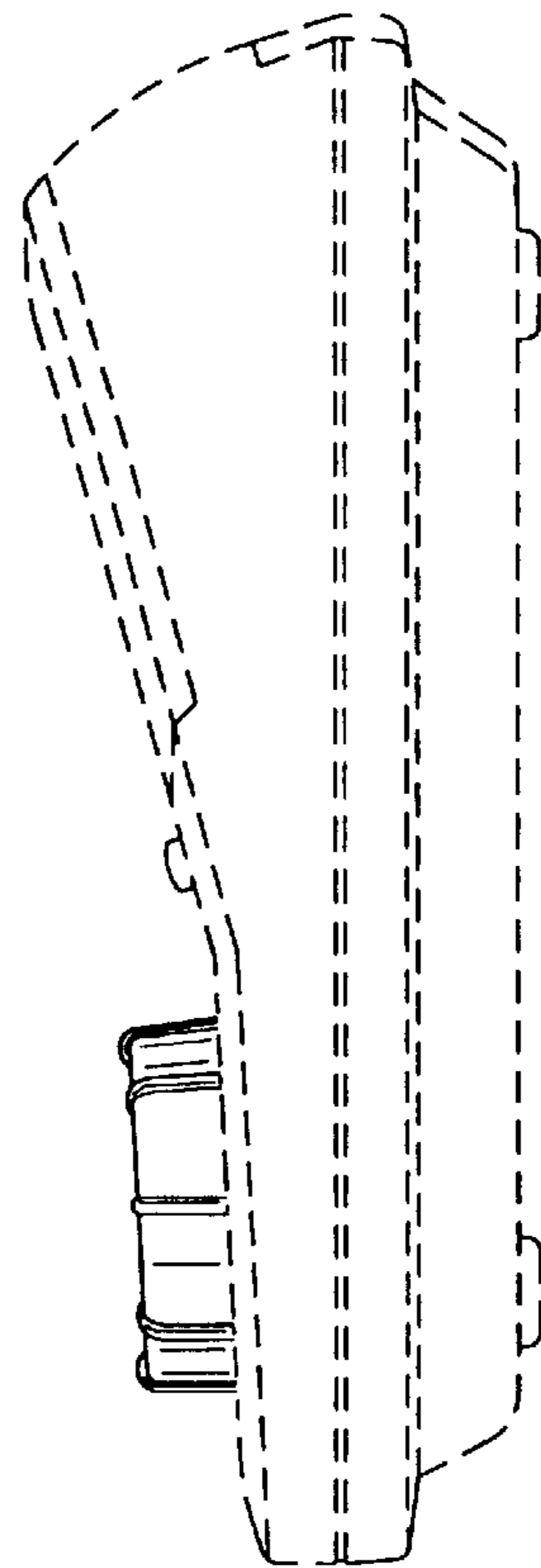


FIG. 3

