



US00D423513S

United States Patent [19]

McKinnon et al.

[11] Patent Number: Des. 423,513

[45] Date of Patent: ** Apr. 25, 2000

[54] CORDLESS TELEPHONE BASE STATION

[75] Inventors: **Wayne E. McKinnon**, Georgetown;
Jason B. Kihneman; **Douglas A. Erwin**, both of Austin; **William J. Morris**, Round Rock, all of Tex.

[73] Assignee: **Siemens Information and Communication Products LLC.**, Austin, Tex.

[**] Term: 14 Years

[21] Appl. No.: 29/098,761

[22] Filed: Jan. 5, 1999

[51] LOC (6) Cl. 14-03

[52] U.S. Cl. D14/240; D14/137; D14/149

[58] Field of Search D14/140, 142,
D14/100, 102, 107, 116, 240, 241, 242,
256, 137, 149, 217; 379/419, 420, 428,
440, 433-436; D13/184; 375/210, 211;
455/16, 347, 561, 90, 349; 361/752, 802,
724

[56] References Cited

U.S. PATENT DOCUMENTS

- D. 299,451 1/1989 Ikeda D14/107 X
- D. 320,982 10/1991 Siddoway D14/137
- D. 339,808 9/1993 Khoo et al. D14/142

- D. 353,372 12/1994 Delhaes D14/149
- D. 363,722 10/1995 Aldridge et al. D14/242
- D. 375,297 11/1996 Casarez et al. D14/107
- D. 390,553 2/1998 Beaumont et al. D14/137
- D. 392,644 3/1998 McGugan D14/240
- D. 393,463 4/1998 Beaumont et al. D14/149
- D. 394,266 5/1998 Hogebrink D14/240
- D. 409,199 5/1999 Taguchi et al. D14/217
- D. 413,119 8/1999 Schnell, III et al. D14/151

Primary Examiner—Jeffrey Asch

[57] CLAIM

The ornamental design for a cordless telephone base station, as shown and described.

DESCRIPTION

FIG. 1 is a front perspective view of the cordless telephone base station of the present invention.

FIG. 2 is a bottom perspective view of the cordless telephone base station.

FIG. 3 is a top view of the cordless telephone base station.

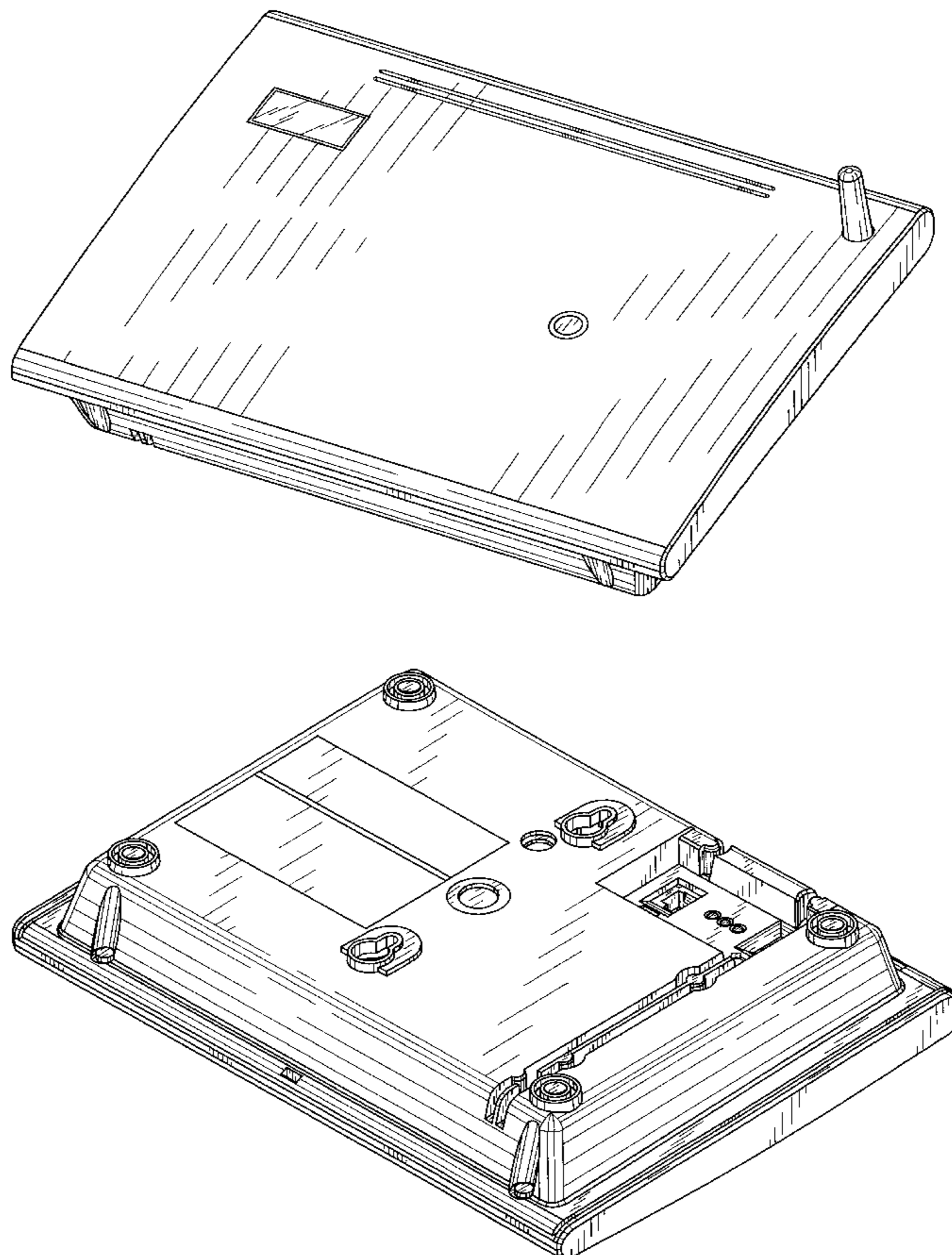
FIG. 4 is a bottom view of the cordless telephone base station.

FIG. 5 is a right-side elevational view of the cordless telephone base station.

FIG. 6 is a rear view of the cordless telephone base station; and,

FIG. 7 is a front view of the cordless telephone base station.

1 Claim, 6 Drawing Sheets



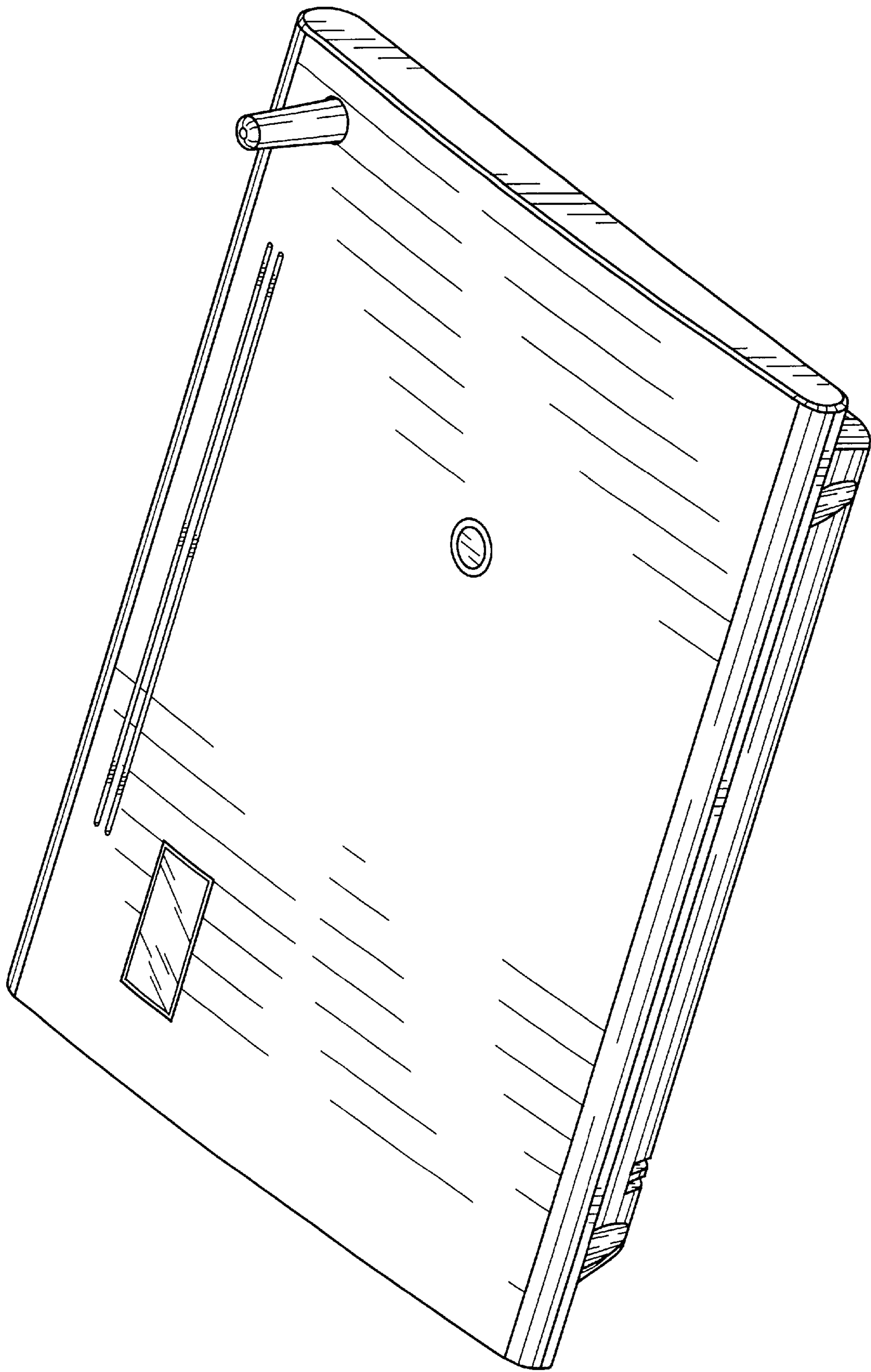


FIG. 1

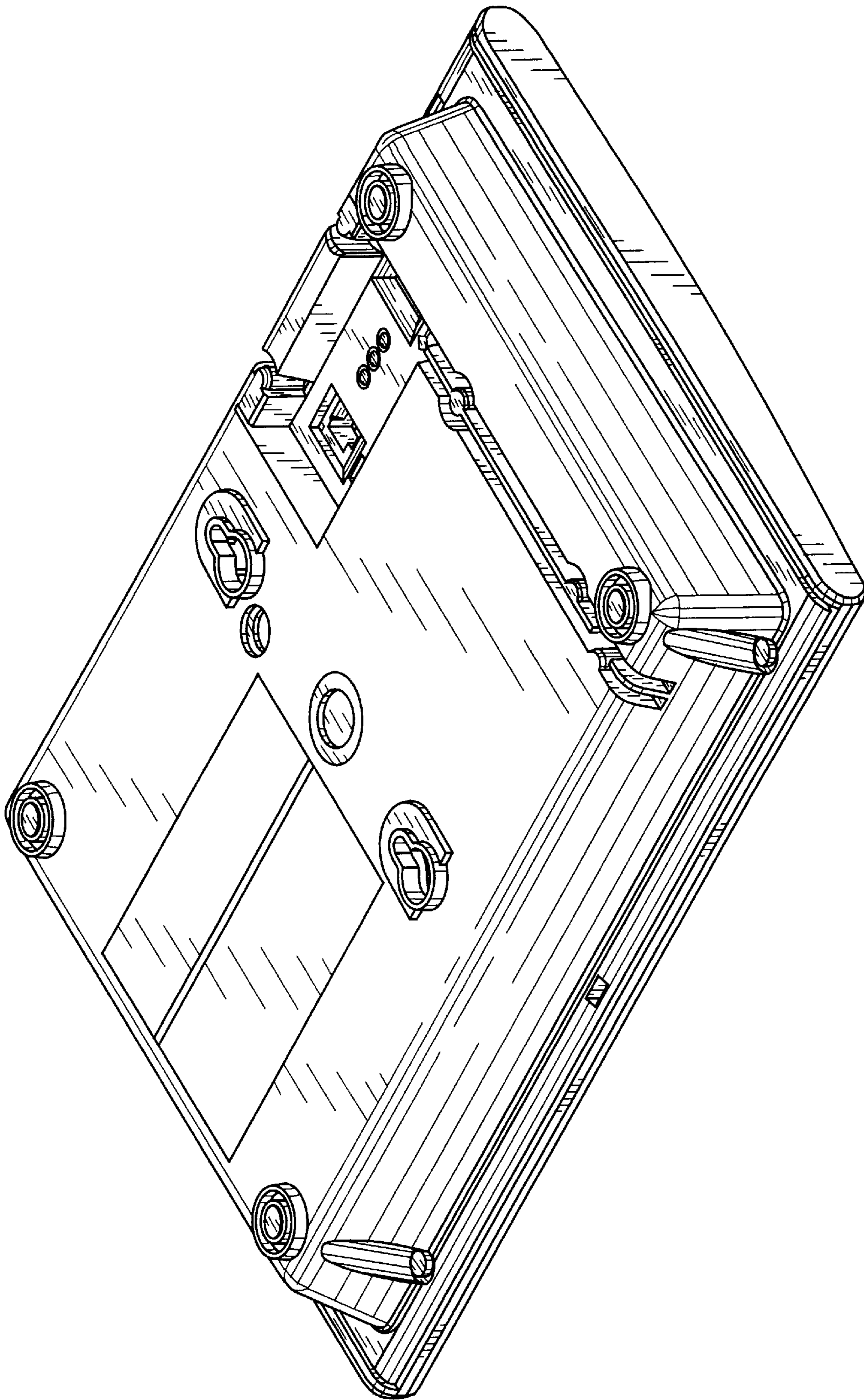


FIG. 2

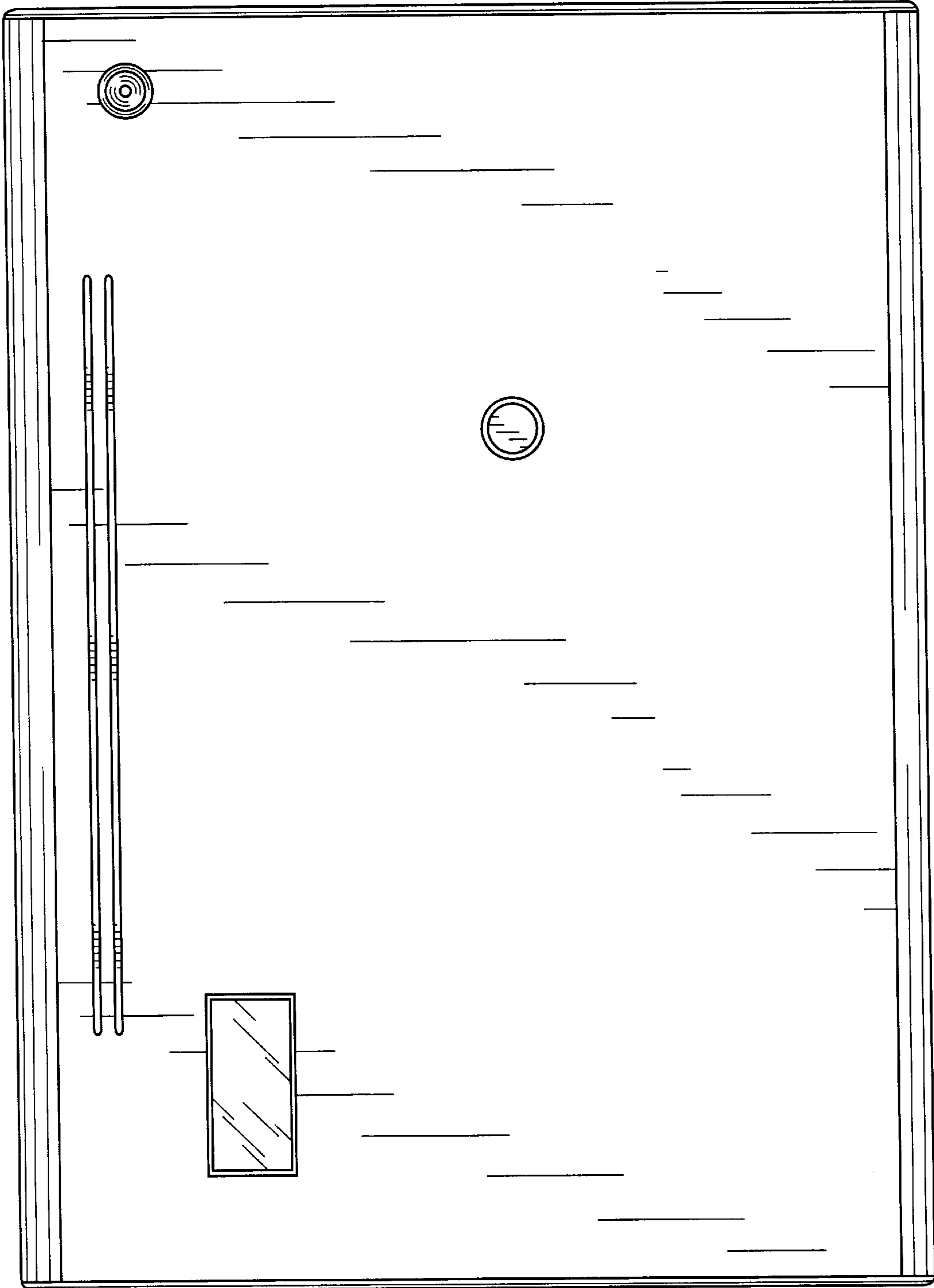


FIG. 3

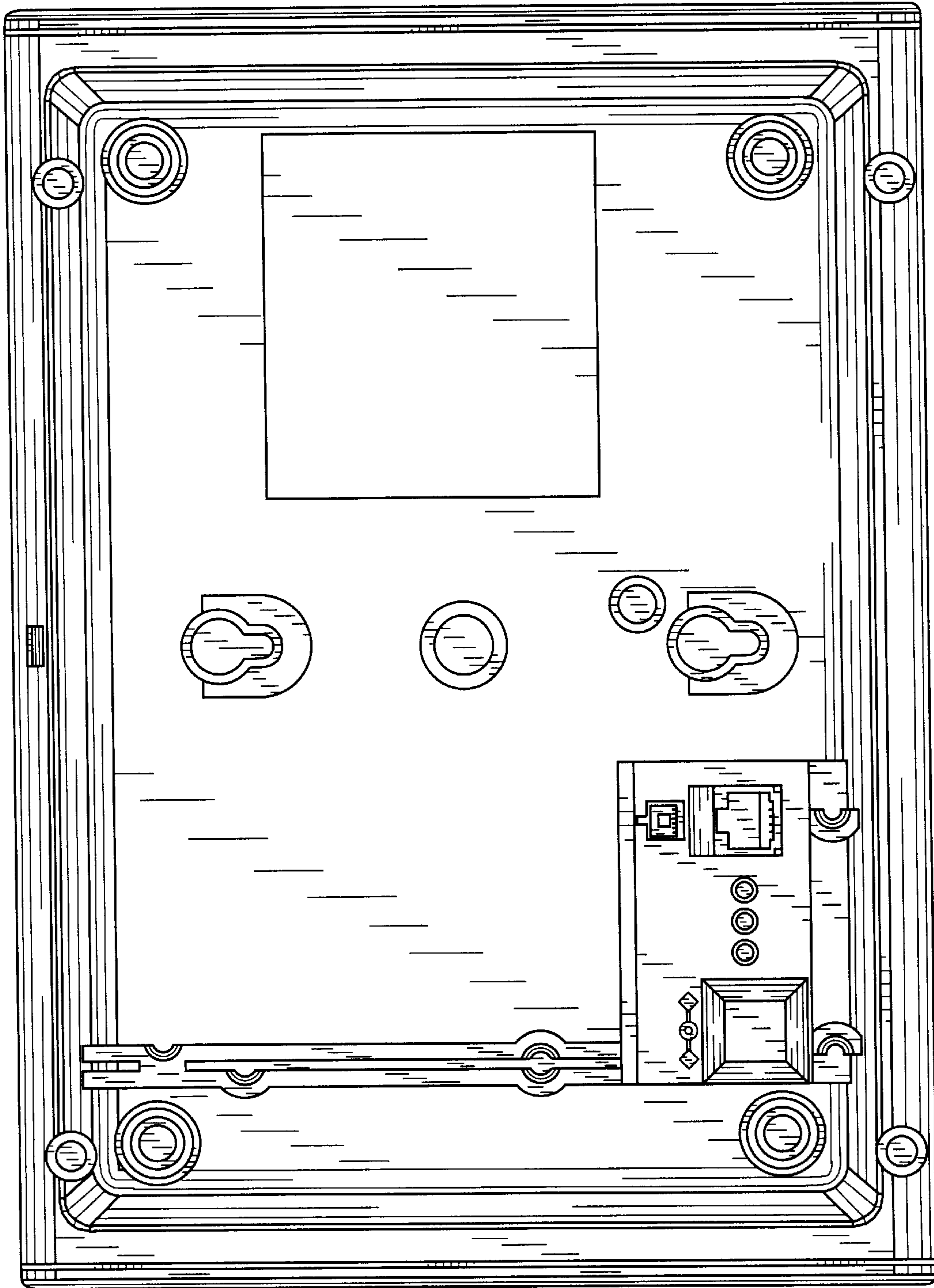


FIG. 4



FIG. 5

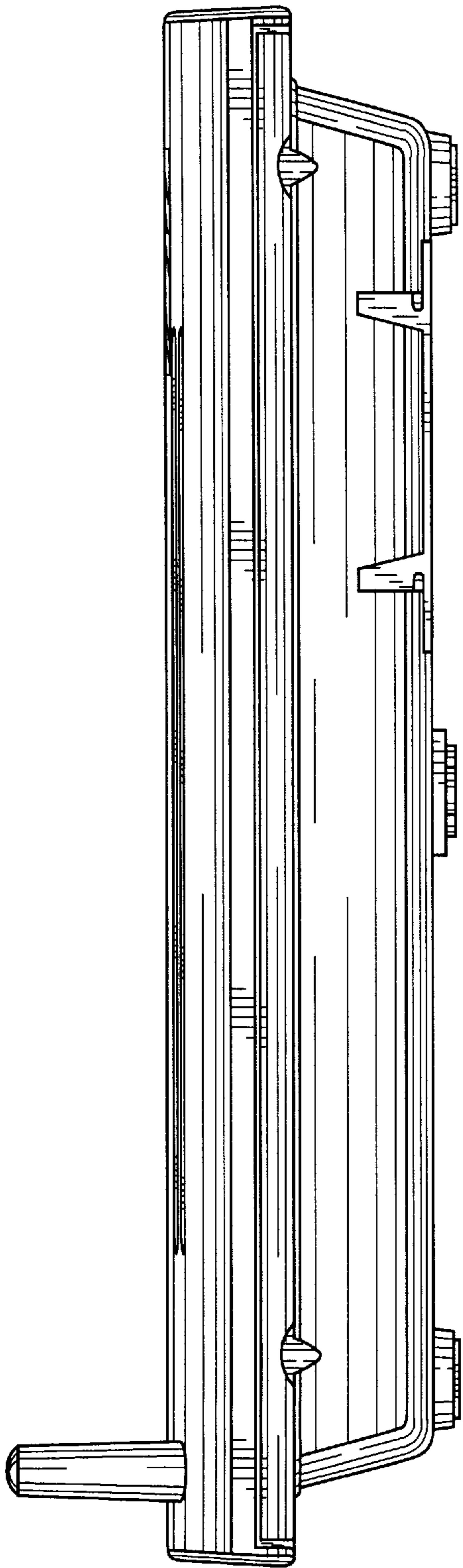


FIG. 6

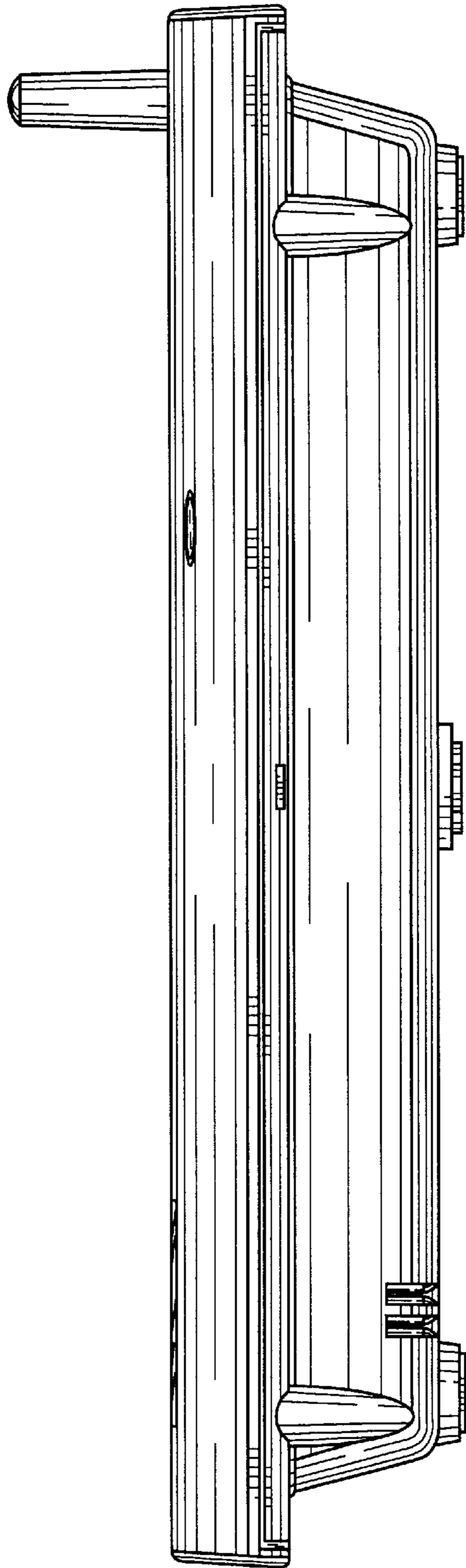


FIG. 7