



US00D423511S

United States Patent [19]

[11] Patent Number: **Des. 423,511**

Bai et al.

[45] Date of Patent: **** Apr. 25, 2000**

[54] **AZIMUTH-ELEVATION GIMBAL ANTENNA**

1,932,469	10/1933	Leib et al.	343/765
3,141,168	7/1964	Ashton	343/720
3,153,789	10/1964	Ashton	343/765
3,392,398	7/1968	Bowditch	343/765

[75] Inventors: **Monty W. Bai**, Scottsdale; **Hugh R. Malone**, Phoenix; **Keith A. Kingston**, Mesa; **Frank P. Blatter**, Sun Lakes, all of Ariz.

Primary Examiner—Louis S. Zarfaz
Assistant Examiner—G. Andoll
Attorney, Agent, or Firm—Bradley J. Botsch

[73] Assignee: **Motorola, Inc.**, Schaumburg, Ill.

[**] Term: **14 Years**

[57] **CLAIM**

[21] Appl. No.: **29/109,709**

We claim the ornamental design for the azimuth-elevation gimbal antenna, as shown and described.

[22] Filed: **Aug. 20, 1999**

DESCRIPTION

[51] **LOC (6) Cl.** **14-03**

FIG. 1 is an perspective view of our new design for an azimuth-elevation gimbal antenna, shown in full line; and, FIG. 2 is a reverse perspective view thereof .

[52] **U.S. Cl.** **D14/231**; 343/765

[58] **Field of Search** D14/230–238; 343/702, 901, 720, 713, 714, 795, 765, 840, 872, 878, 879; 455/90, 347, 128, 562

The broken lines in the Figures are for illustrative purposes only and form no part of the claimed design.

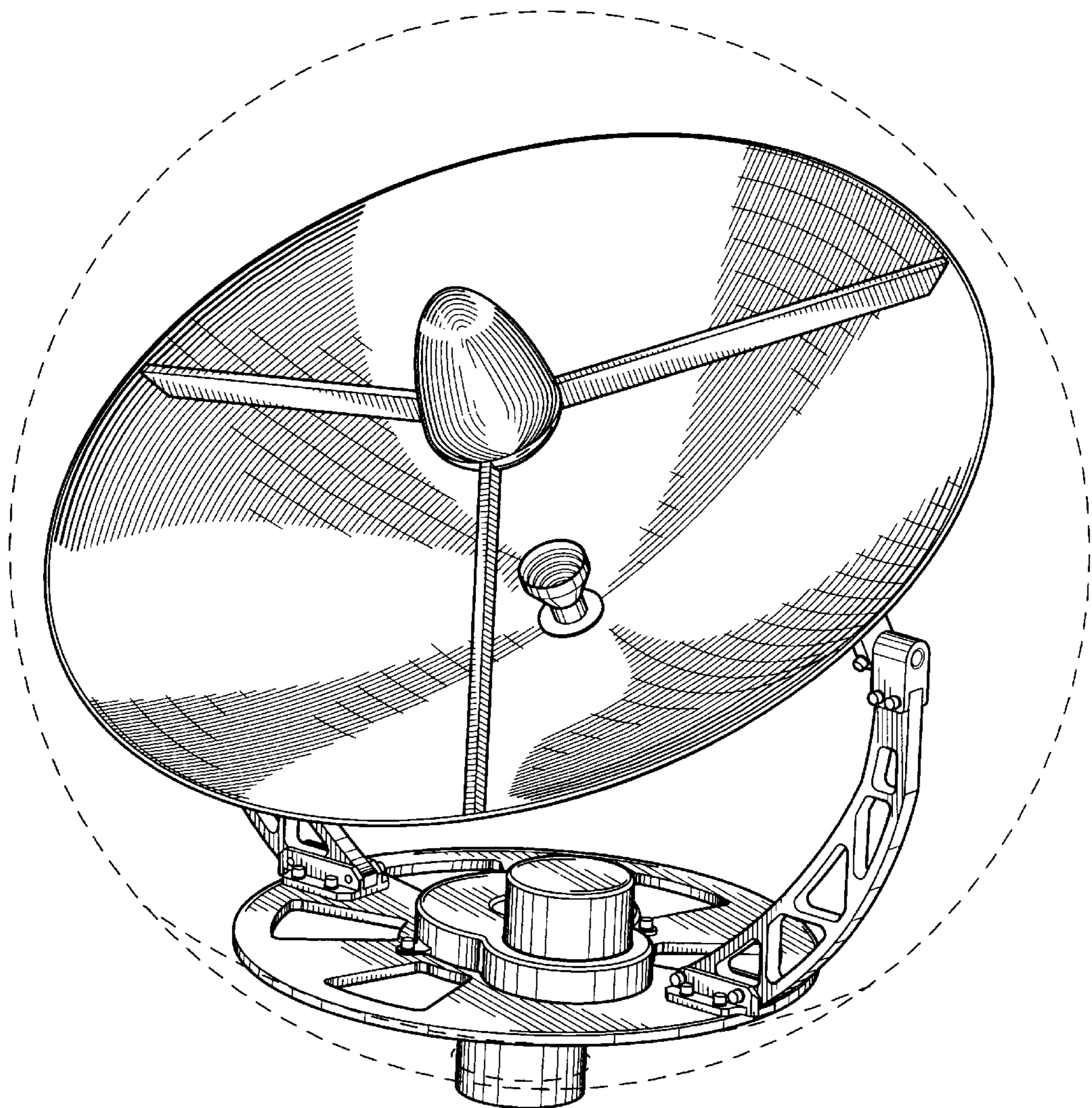
The surfaces of the article not shown in the drawing or described in the specification form no part of the claimed design.

[56] **References Cited**

U.S. PATENT DOCUMENTS

D. 329,052 9/1992 Keane et al. D14/238

1 Claim, 2 Drawing Sheets



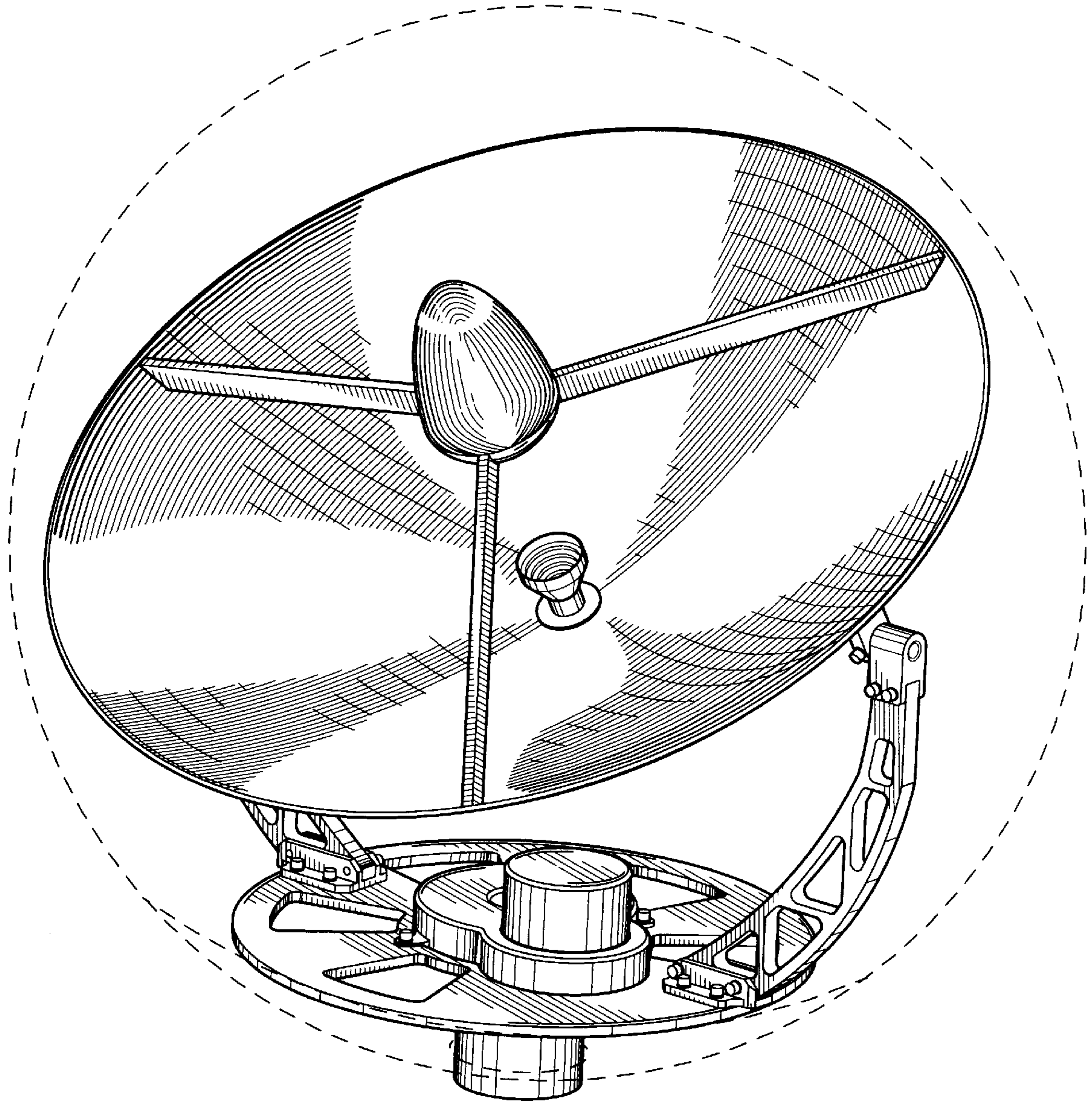


FIG. 1

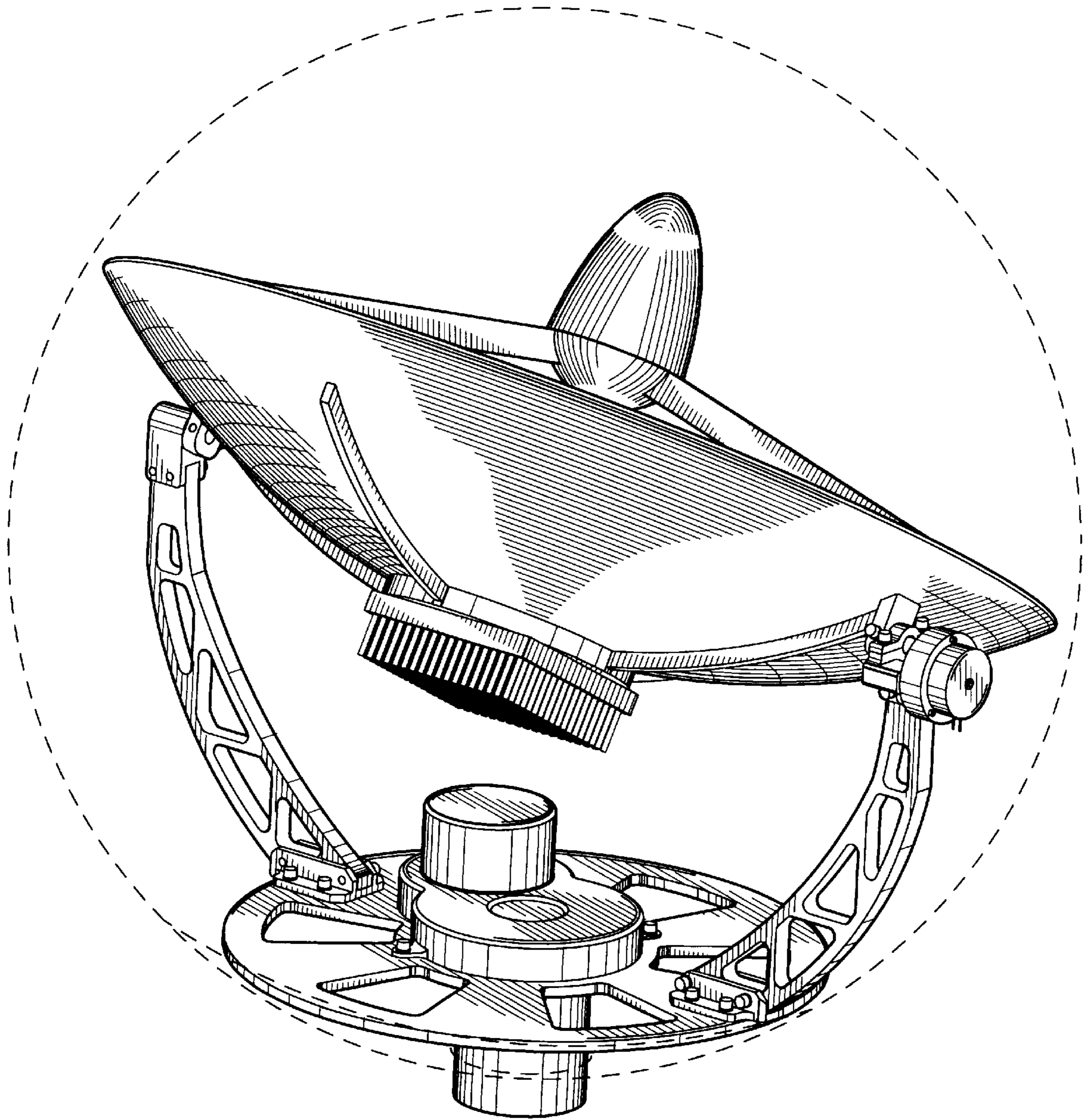


FIG. 2