



US00D423510S

United States Patent [19]

Pizarro et al.

[11] **Patent Number: Des. 423,510**

[45] **Date of Patent: ** Apr. 25, 2000**

[54] **REMOTE CONTROLLER AND PAGING SET**

D. 401,565 11/1998 Smith et al. D14/218

[76] Inventors: **Julian Pizarro; Jessica Pizarro**, both of 4542 W. Palo Alto #202, Fresno, Calif. 93722

Primary Examiner—Louis S. Zarfaz
Assistant Examiner—Greg Andoll

[**] Term: **14 Years**

[57] **CLAIM**

The ornamental design for a remote controller and paging set, as shown and described.

[21] Appl. No.: **29/107,022**

[22] Filed: **Jun. 24, 1999**

DESCRIPTION

[51] **LOC (6) Cl.** **14-03**

[52] **U.S. Cl.** **D14/218; D14/191**

[58] **Field of Search** D14/217, 218, D14/124, 299, 191, 192; D10/104, 106; D13/168; D21/566; 348/734; 455/151.1–151.4, 352–355, 251.1, 38.1–38.4, 90, 92, 100, 128, 344; 200/331

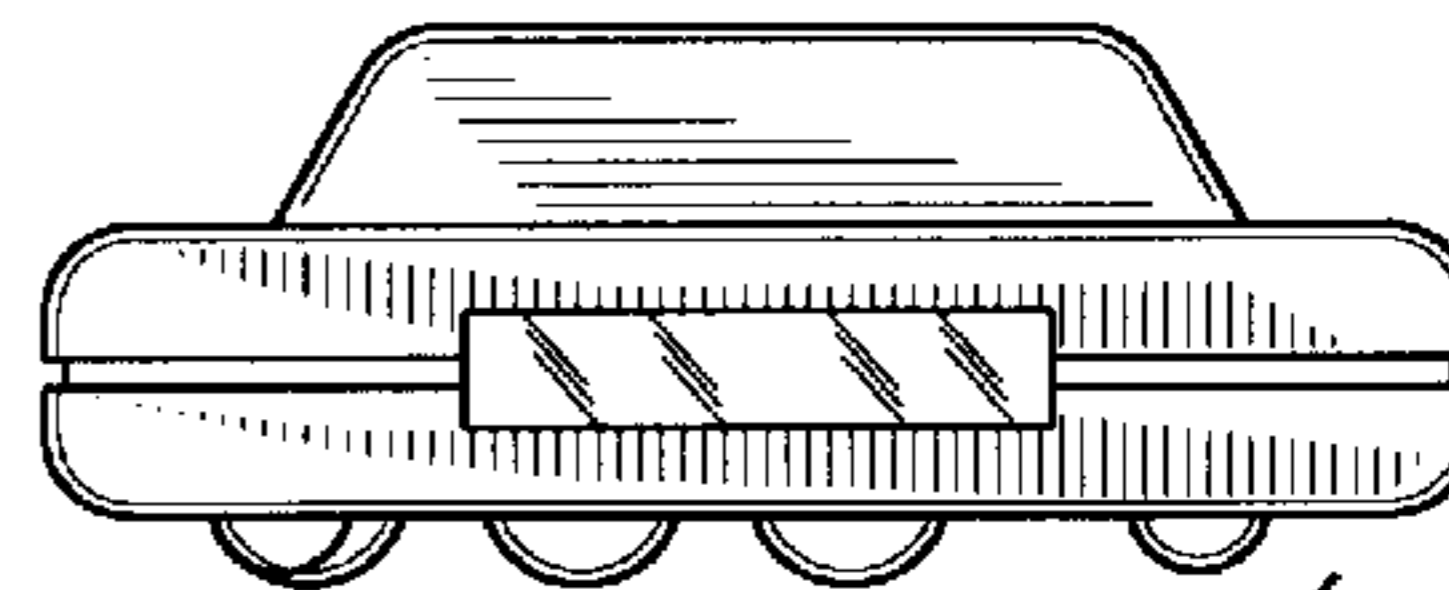
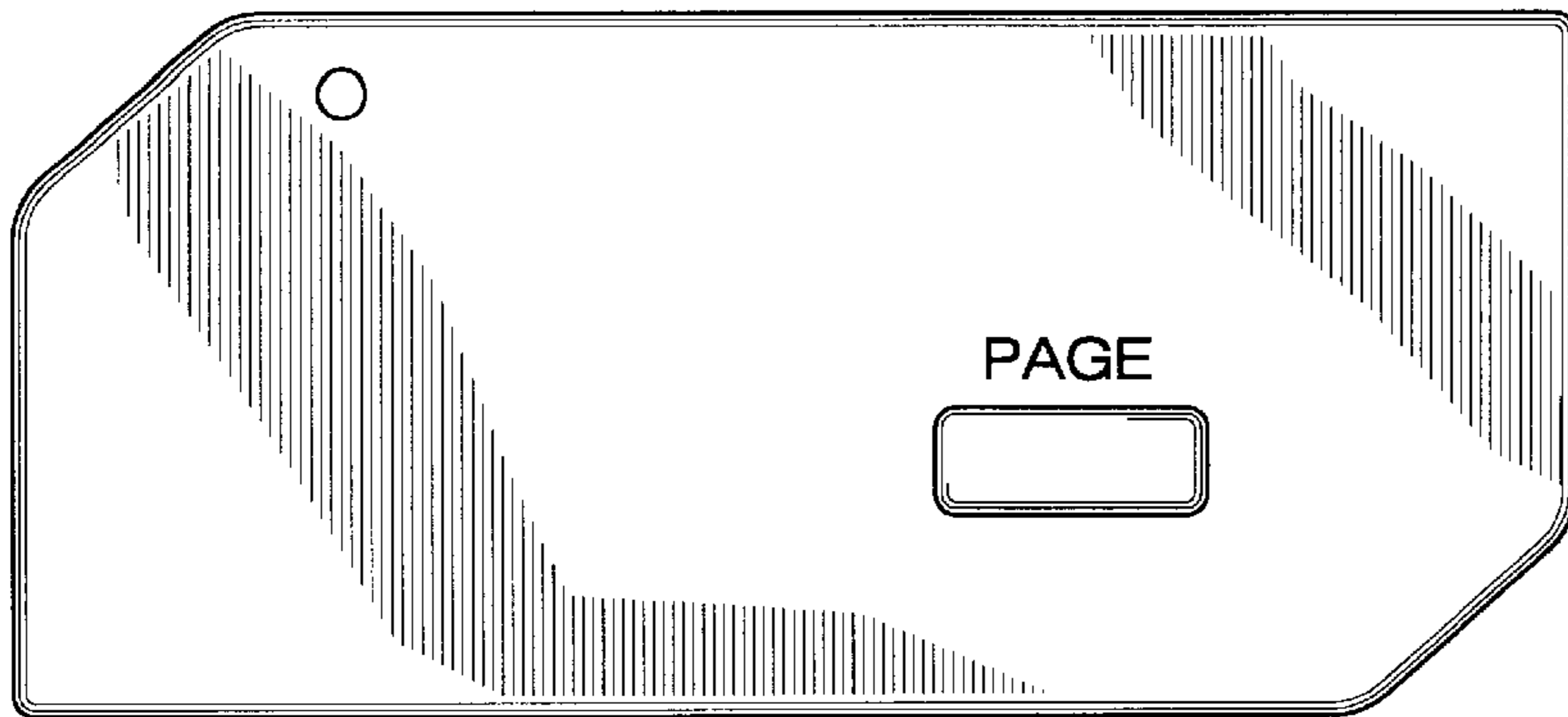
FIG. 1 is a top plan view of the remote controller and paging set of the present invention;
FIG. 2 is a rear elevational view of the remote controller and paging set of FIG. 1;
FIG. 3 is a left side elevational view of the remote controller and paging set of FIG. 1;
FIG. 4 is a right side elevational view of the remote controller and paging set of FIG. 1;
FIG. 5 is a front elevational view of the remote controller and paging set of FIG. 1; and,
FIG. 6 is a bottom plan view of the remote controller and paging set of FIG. 1.

[56] **References Cited**

U.S. PATENT DOCUMENTS

D. 343,387 1/1994 Keene D14/218
D. 362,695 9/1995 Waldhelm D14/218
D. 397,966 9/1998 Smith D13/168

1 Claim, 3 Drawing Sheets



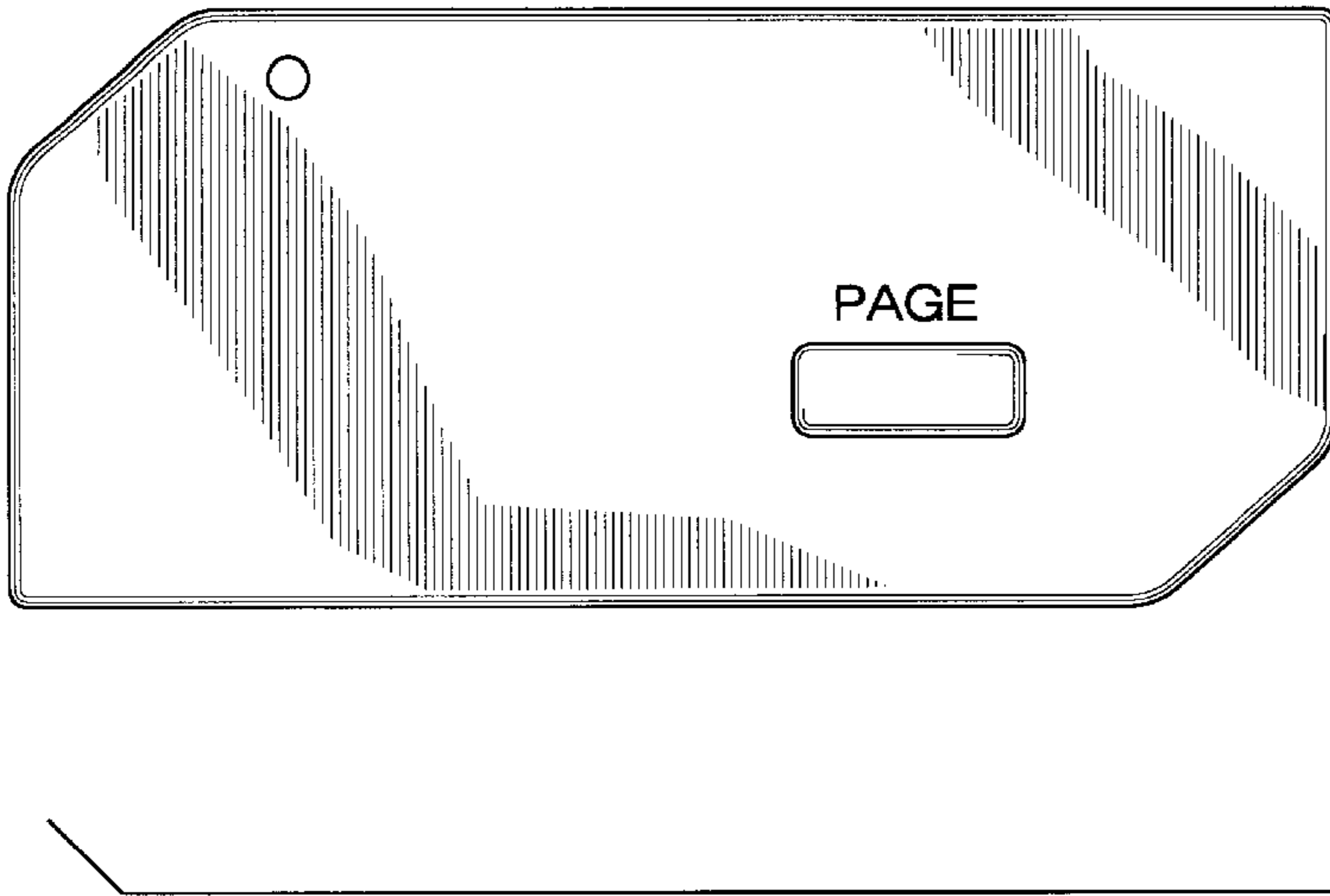


FIG. 1

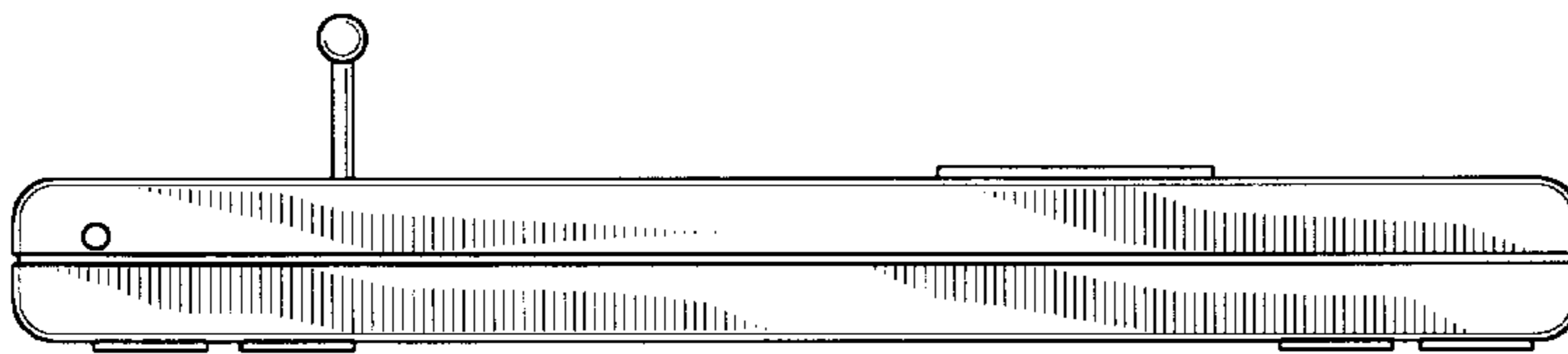
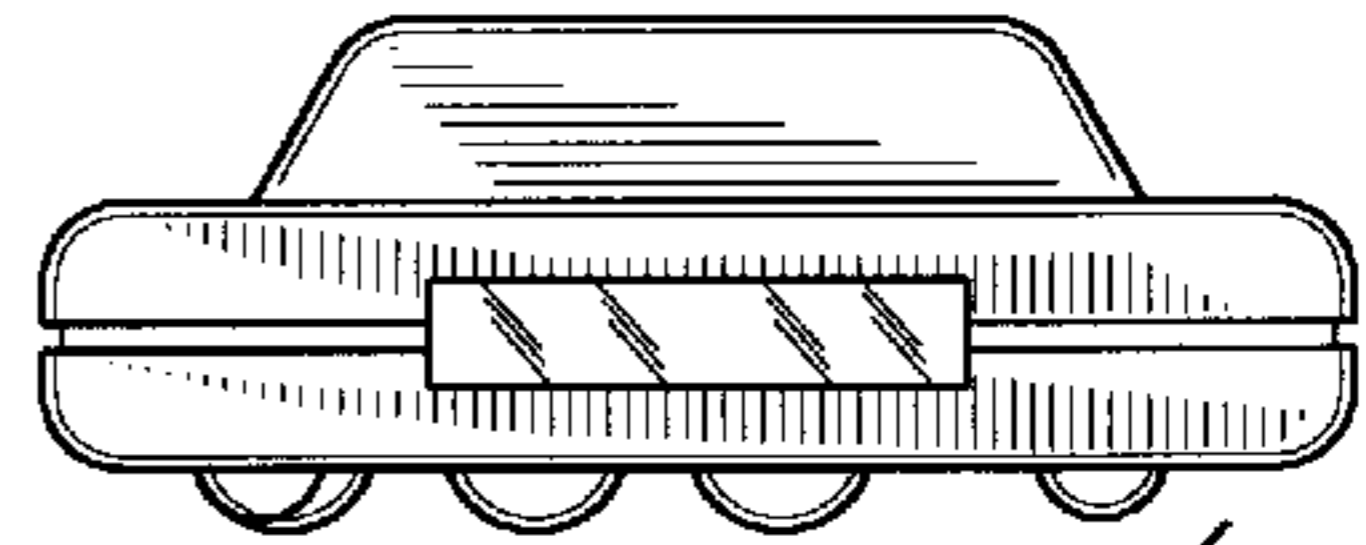
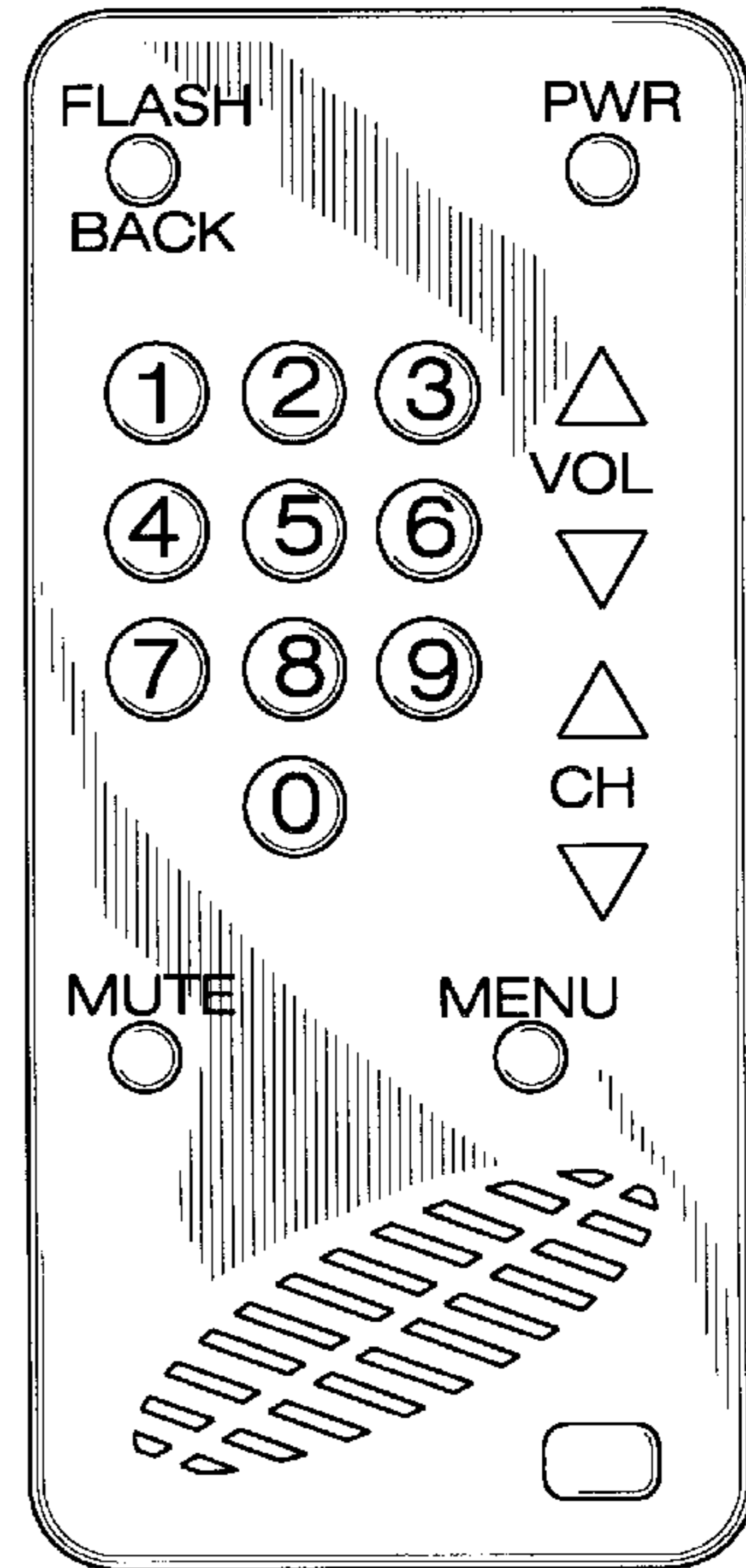


FIG. 5



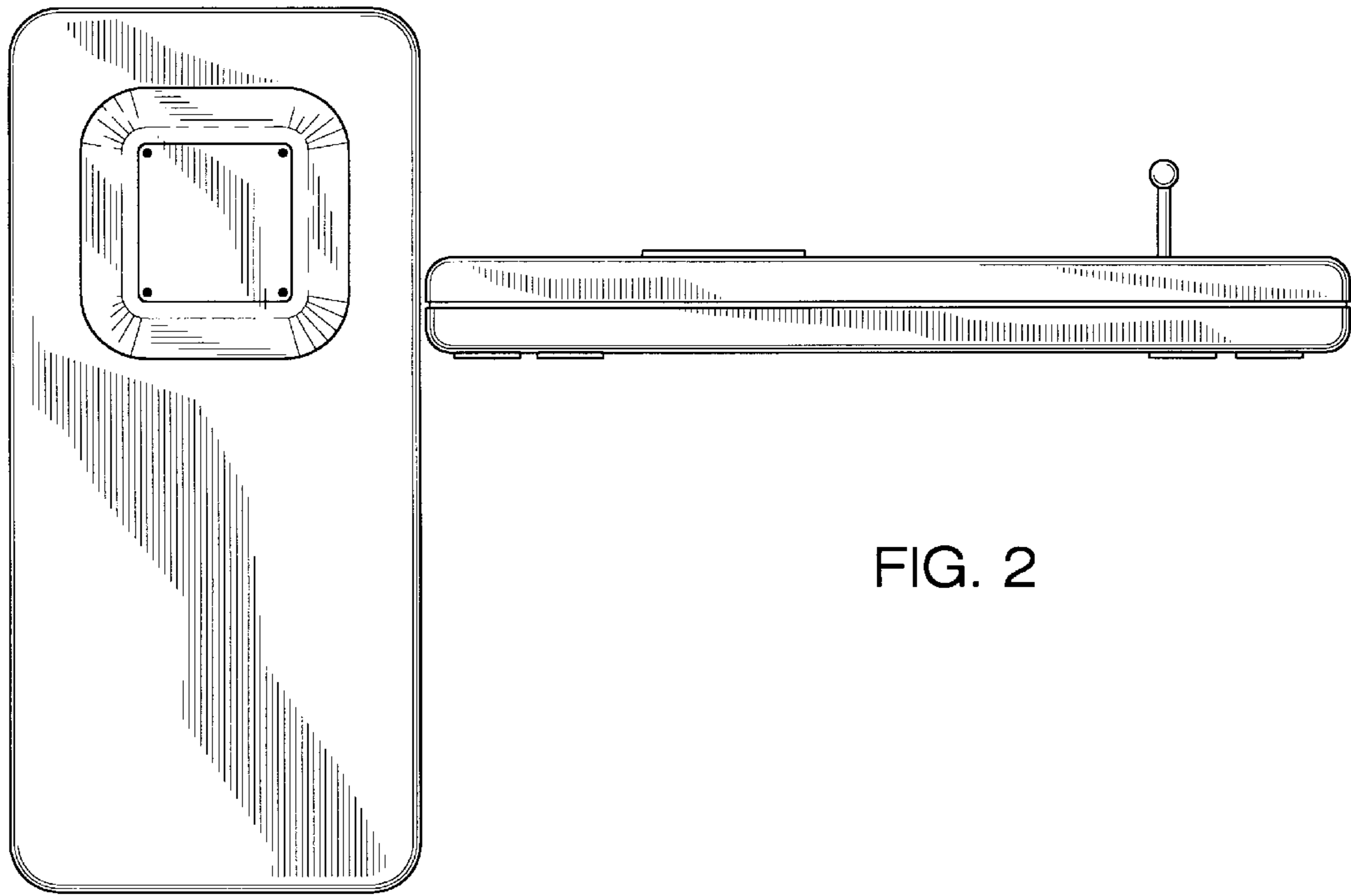


FIG. 2

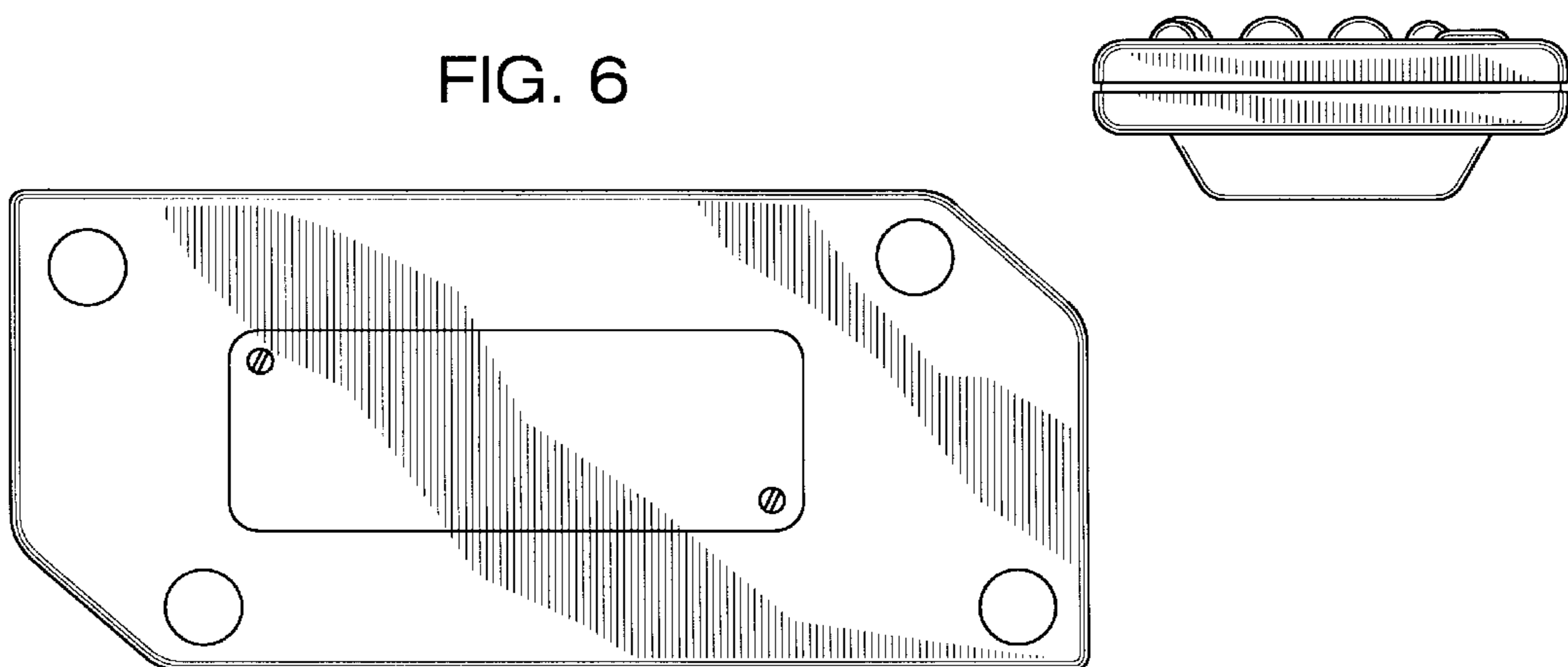


FIG. 6

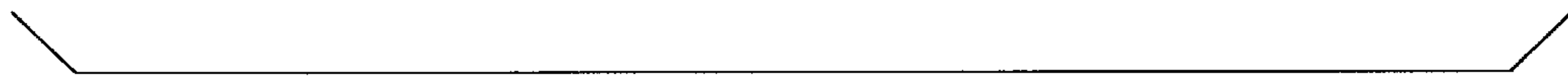


FIG. 3

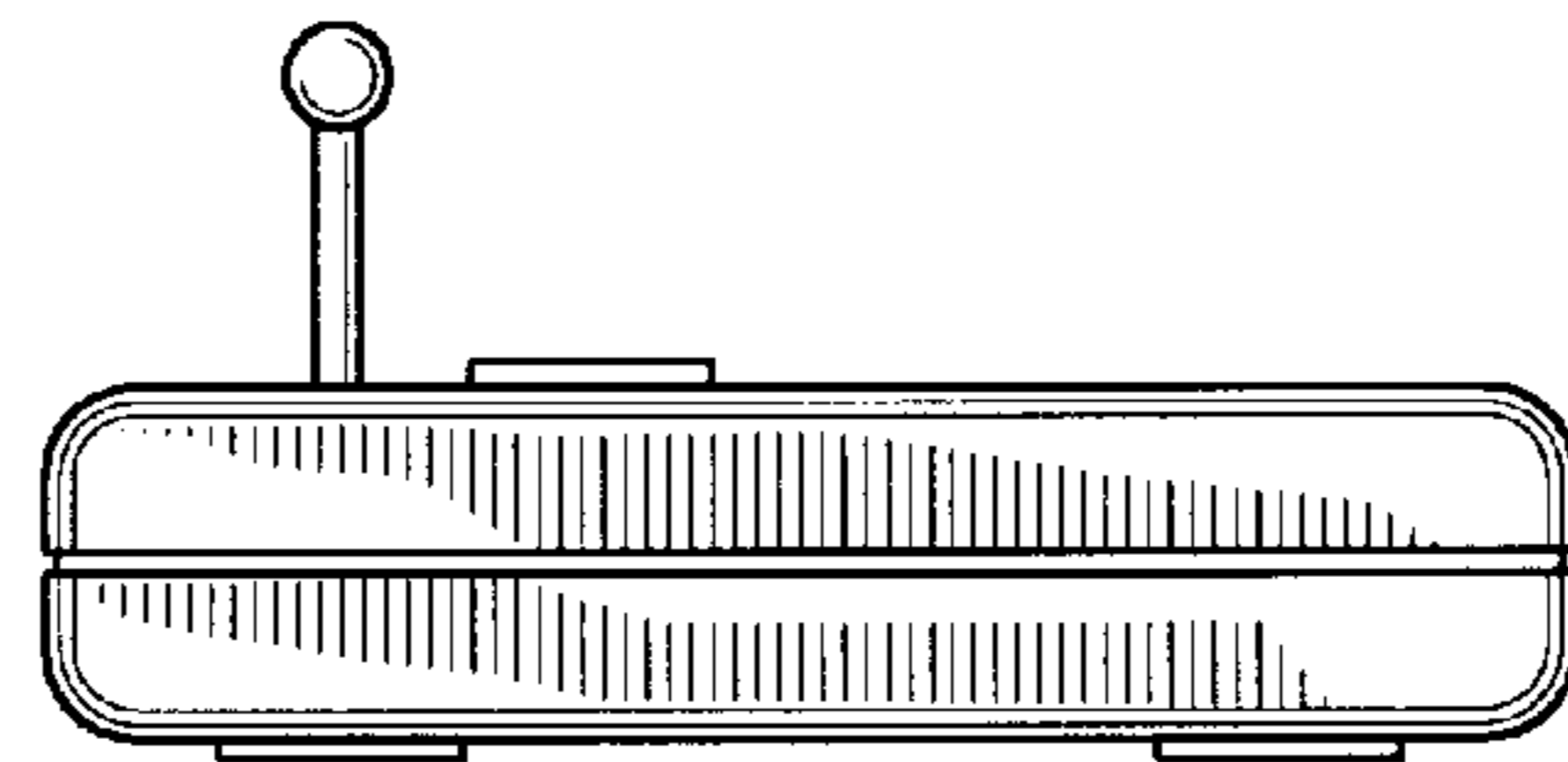
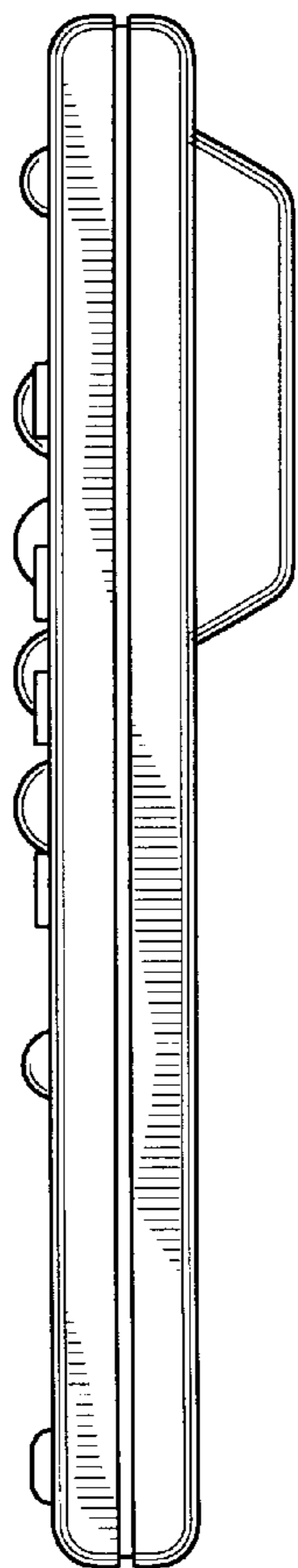
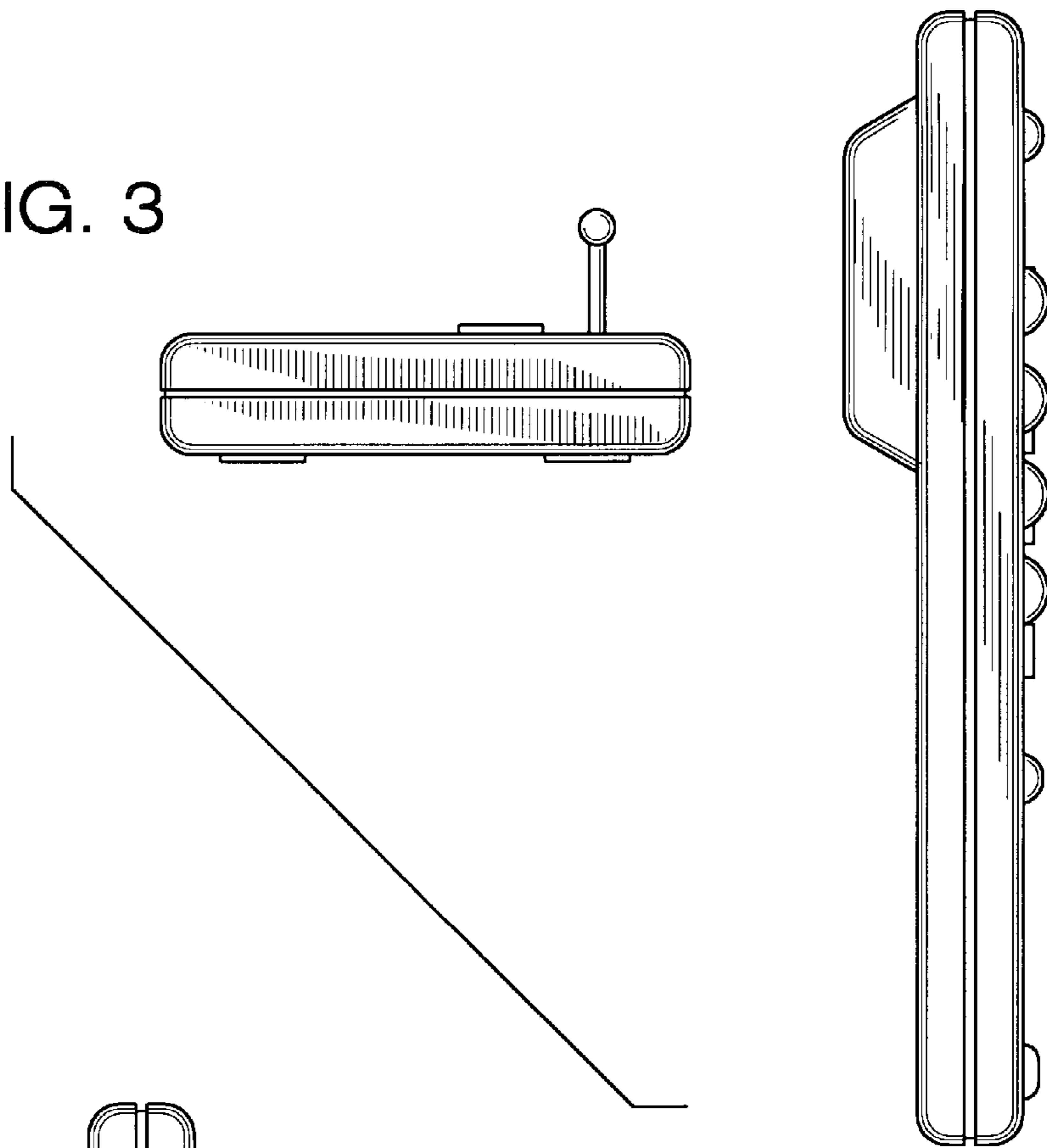


FIG. 4