



US00D423508S

United States Patent [19] Nakajima

[11] **Patent Number: Des. 423,508**

[45] **Date of Patent: ** Apr. 25, 2000**

[54] **REMOTE CONTROLLER**

[75] Inventor: **Shiho Nakajima**, Tokyo, Japan

[73] Assignee: **Sony Corporation**, Tokyo, Japan

[**] Term: **14 Years**

[21] Appl. No.: **29/085,846**

[22] Filed: **Mar. 31, 1998**

[51] **LOC (6) Cl.** **16-03**

[52] **U.S. Cl.** **D14/218**

[58] **Field of Search** D14/124, 217,
D14/218, 299, 191, 117.1; D10/104, 106;
D13/168; 348/734; 455/151.1-151.4, 325-355;
200/331; D21/329, 333

[56] **References Cited**

U.S. PATENT DOCUMENTS

D. 336,053	6/1993	Hayes et al.	D10/106
D. 375,043	10/1996	Biasotti et al.	D14/191
D. 379,459	5/1997	Biasotti et al.	D14/191
D. 400,539	11/1998	Hippen	D14/218

OTHER PUBLICATIONS

Sony 5MD&MD pixy, p. 8, DHC-MD919 Remote controller at upper half of sheet, Dec. 1997.

Home Automation Systems, Inc. Catalogp. 88, Touchscreen Learning IR Remote, May 1999.

Primary Examiner—B. J. Bullock

Assistant Examiner—G. Andoll

Attorney, Agent, or Firm—Foley & Lardner

[57] **CLAIM**

The ornamental design for a remote controller, as shown and described.

DESCRIPTION

FIG. 1 is a perspective view of a remote controller showing my new design;

FIG. 2 is a top plan view of the first embodiment;

FIG. 3 is a left side elevational view thereof;

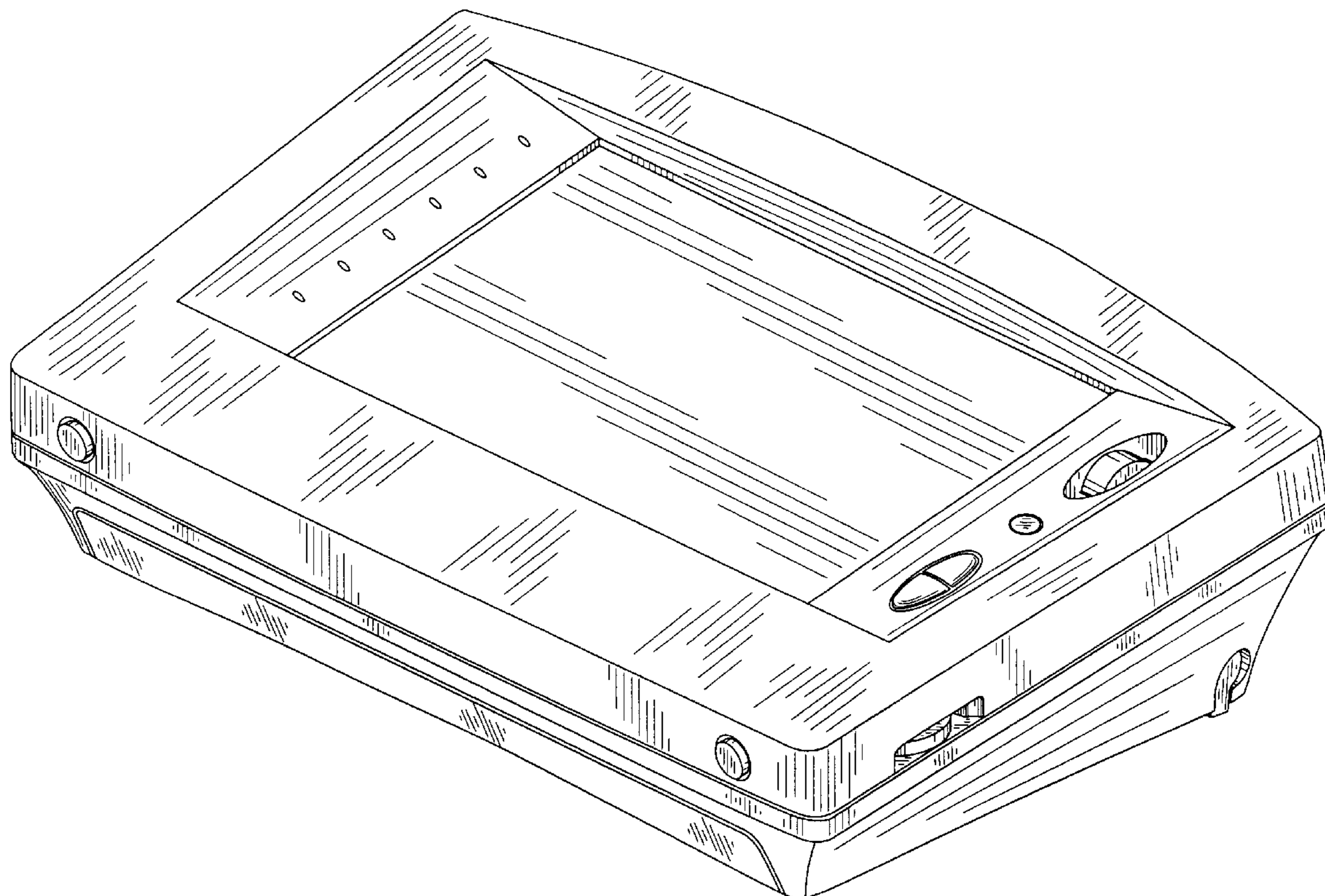
FIG. 4 is a front elevational view thereof;

FIG. 5 is a bottom plan view thereof;

FIG. 6 is a right side elevational thereof; and,

FIG. 7 is a rear elevational view thereof.

1 Claim, 4 Drawing Sheets



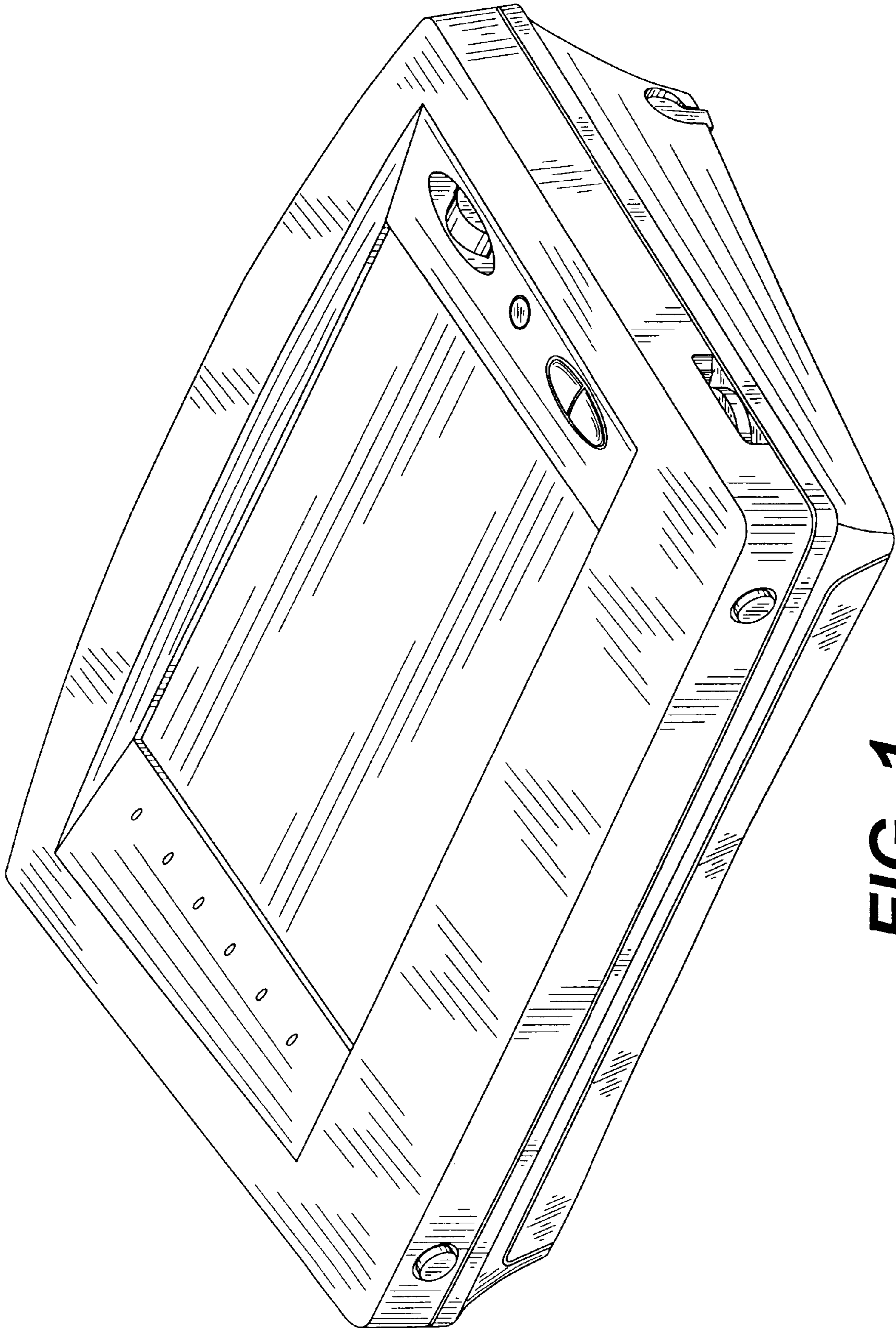


FIG. 1

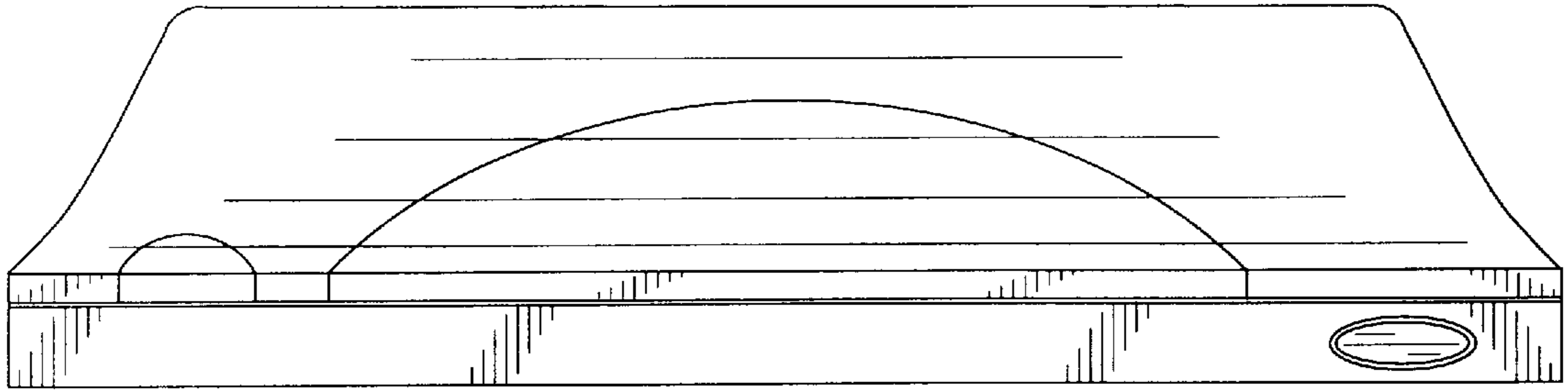


FIG. 2

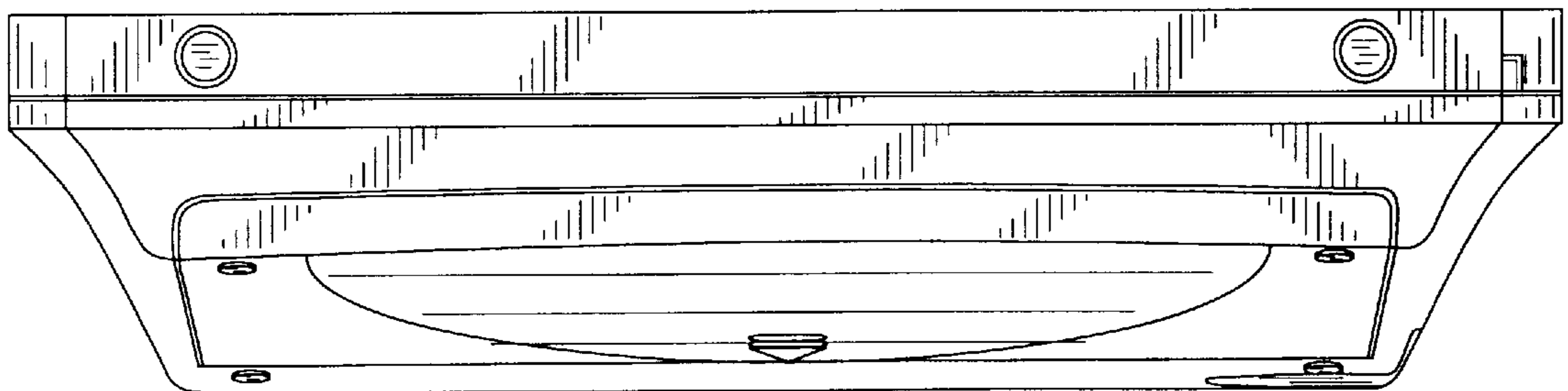


FIG. 5

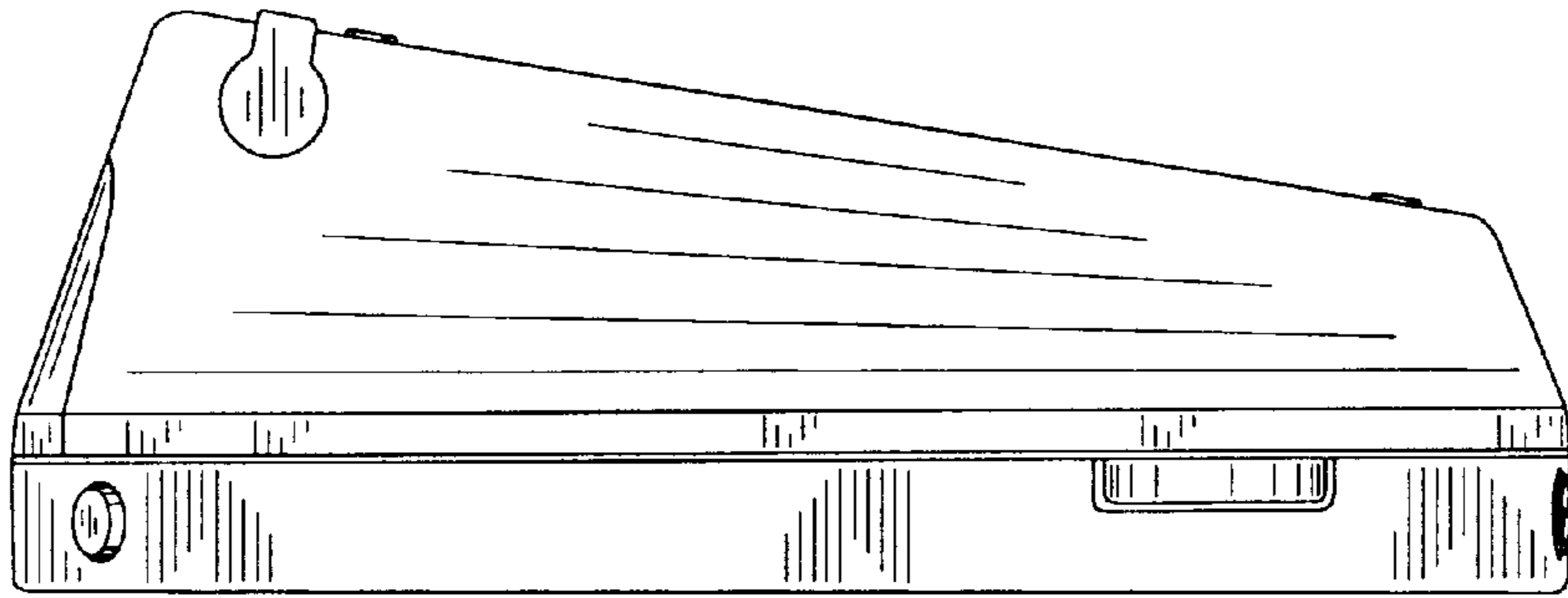


FIG. 6

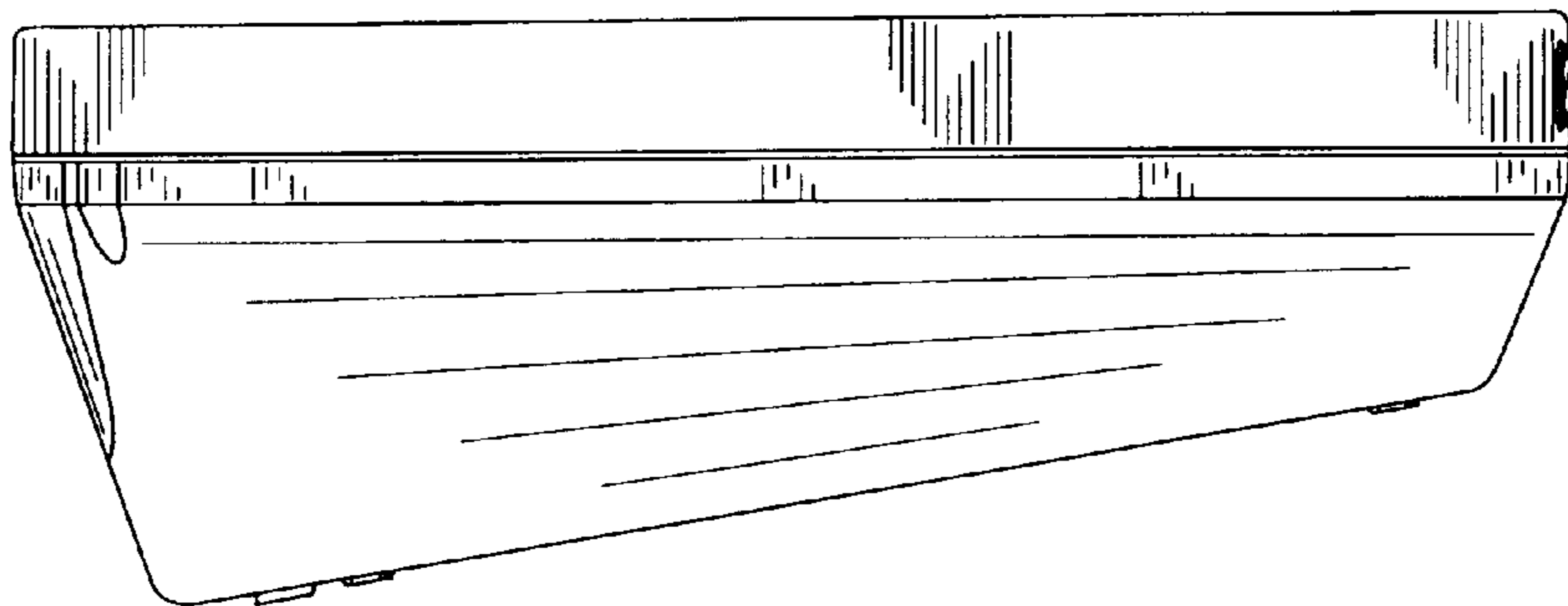


FIG. 3

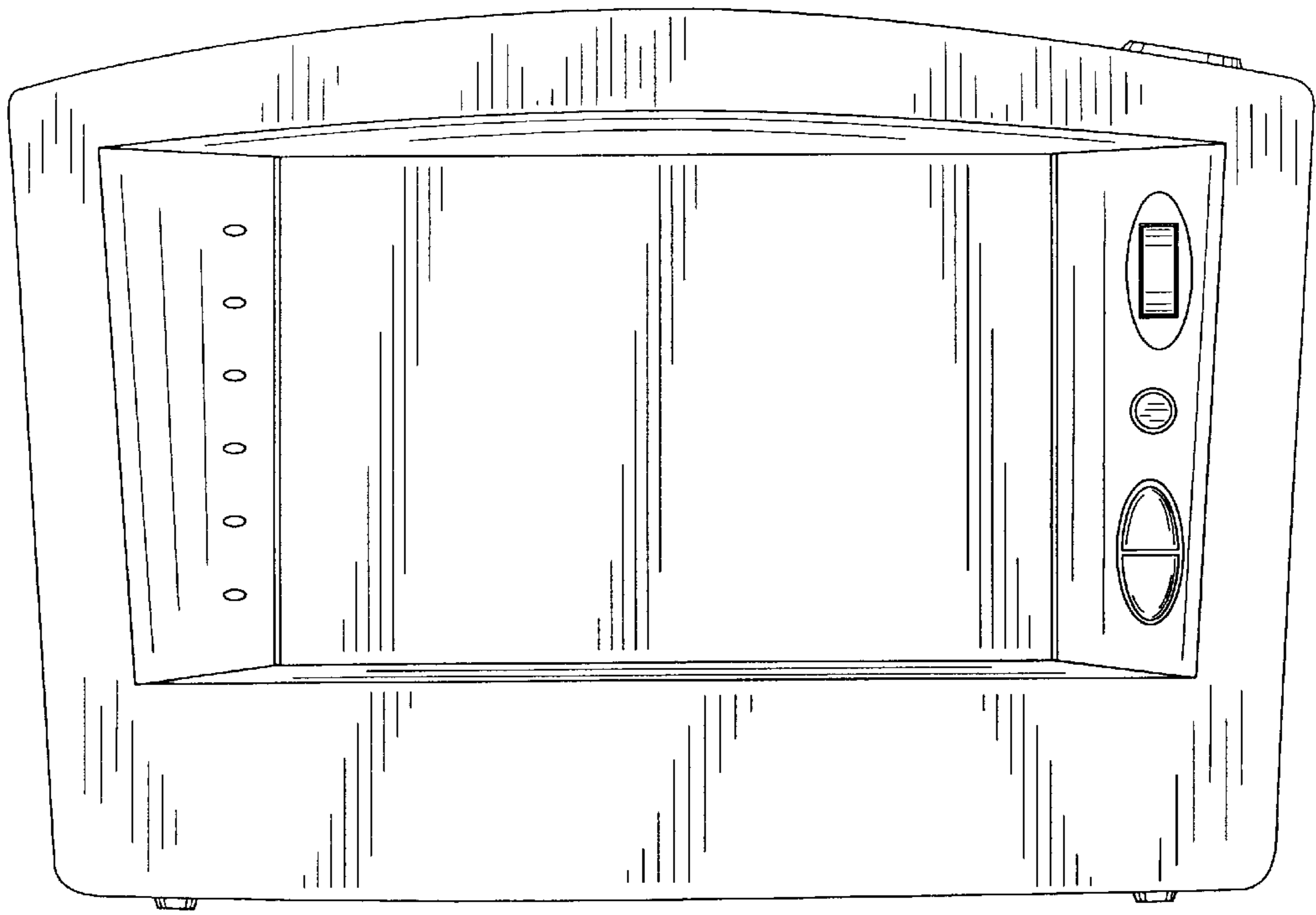


FIG. 4

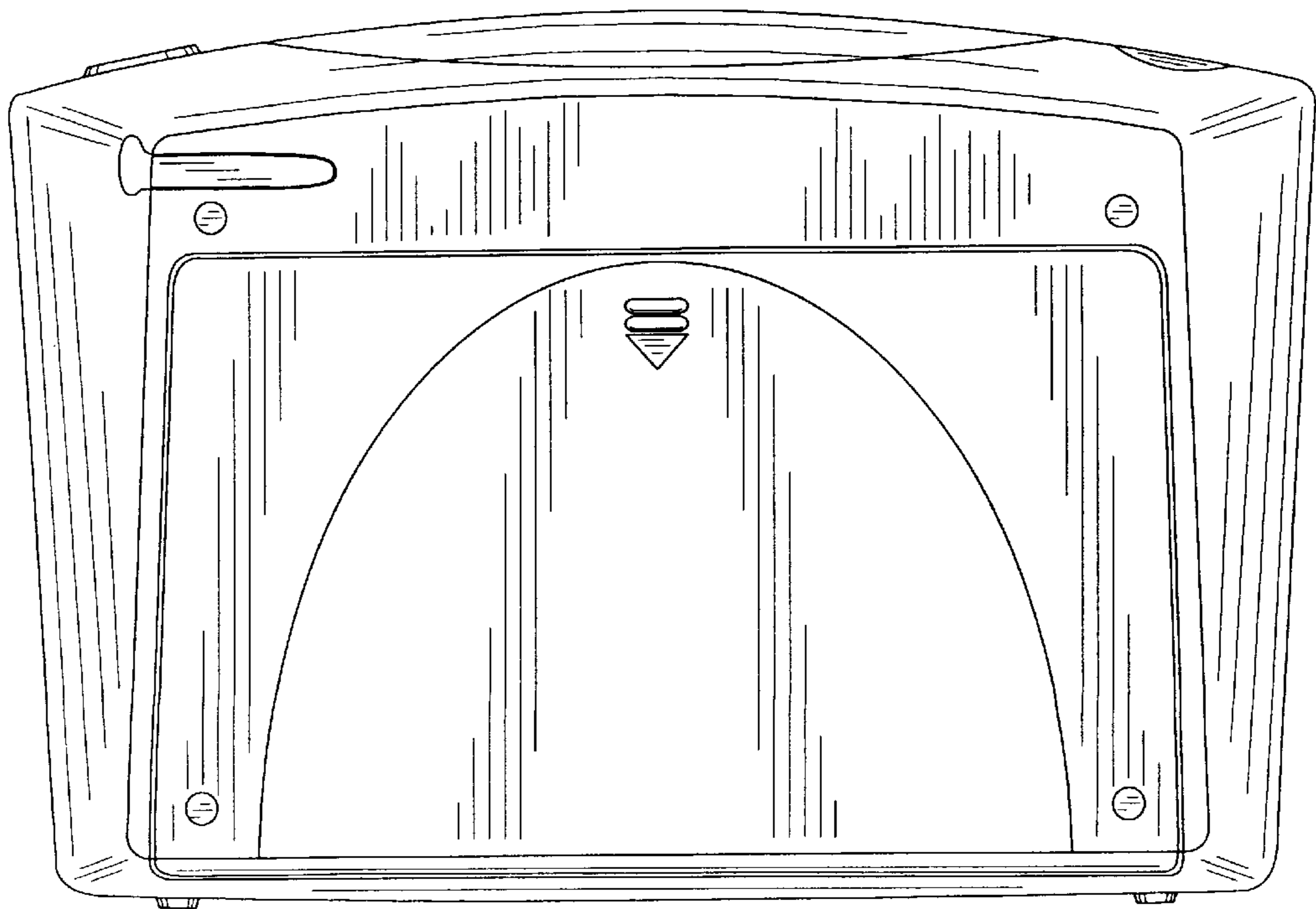


FIG. 7