



US00D423506S

United States Patent [19]
Gates

[11] **Patent Number: Des. 423,506**

[45] **Date of Patent: ** Apr. 25, 2000**

[54] **SOUND REVERBERATING EARcup FOR USE WITH HOME TV**

Attorney, Agent, or Firm—Christen M. Millard; Kremblas, Foster, Millard & Pollick

[76] Inventor: **James T. Gates**, 3106 Northwest Blvd., Columbus, Ohio 43221

[57] **CLAIM**

The ornamental design for a sound reverberating earcup for use with home TV, as shown and described.

[**] Term: **14 Years**

DESCRIPTION

[21] Appl. No.: **29/089,401**

FIG. 1 is a perspective view of a sound reverberating earcup for use with home TV according to the invention;

[22] Filed: **Jun. 15, 1998**

FIG. 2 is a side view of the sound reverberating earcup for use with home TV of FIG. 1, the other side being a mirror image thereof;

[51] **LOC (6) Cl.** **14-99**

[52] **U.S. Cl.** **D14/217; D14/223; D24/175**

[58] **Field of Search** D14/192, 205, D14/206, 223, 217; D24/151, 173-175, 186; 73/585-587; 128/865-867; 181/129, 130, 187; 381/169, 183, 187, 188

FIG. 3 is a top view of the sound reverberating earcup for use with home TV of FIG. 1;

FIG. 4 is a bottom view of the sound reverberating earcup for use with home TV of FIG. 1;

[56] **References Cited**

U.S. PATENT DOCUMENTS

D. 244,467	5/1977	Aquilino	D24/175
D. 286,873	11/1986	Ikeda	D14/205 X
D. 335,349	5/1993	Lyon et al.	D24/151
4,890,688	1/1990	Baker	181/129 X
4,997,056	3/1991	Riley	191/129 X
5,691,515	11/1997	Landis	181/129

FIG. 5 is a right end view of the sound reverberating earcup for use with home TV of FIG. 1;

FIG. 6 is a left end view of the sound reverberating earcup for use with home TV of FIG. 1; and,

FIG. 7 is a front view of the sound reverberating earcup for use with home TV of FIG. 1 in use, the broken line showing of the second earcup and the headband is for illustrative purposes only and forms no part of the claimed design.

Primary Examiner—Nanda Bondade

1 Claim, 4 Drawing Sheets

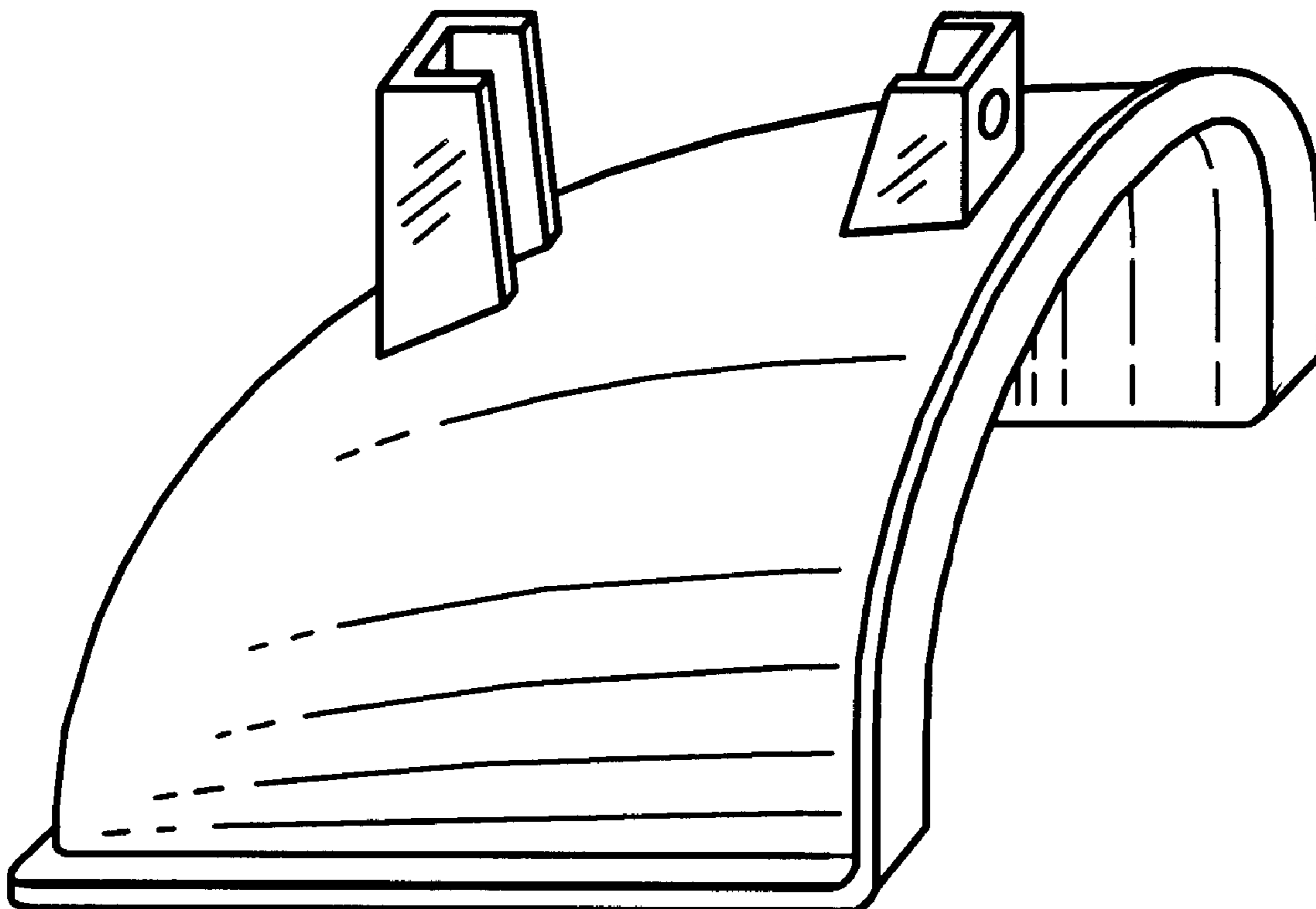


Fig. 1

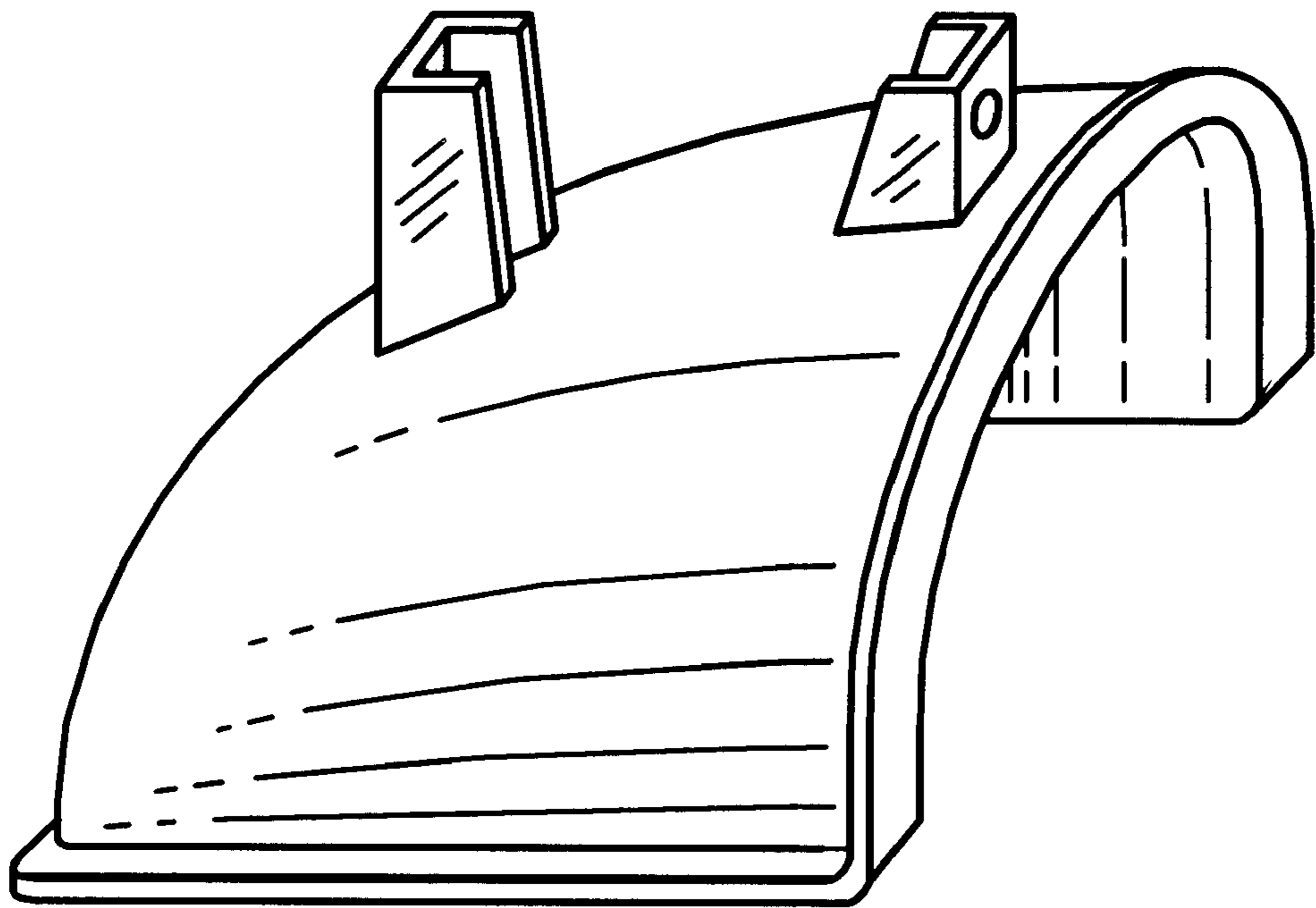


Fig. 2

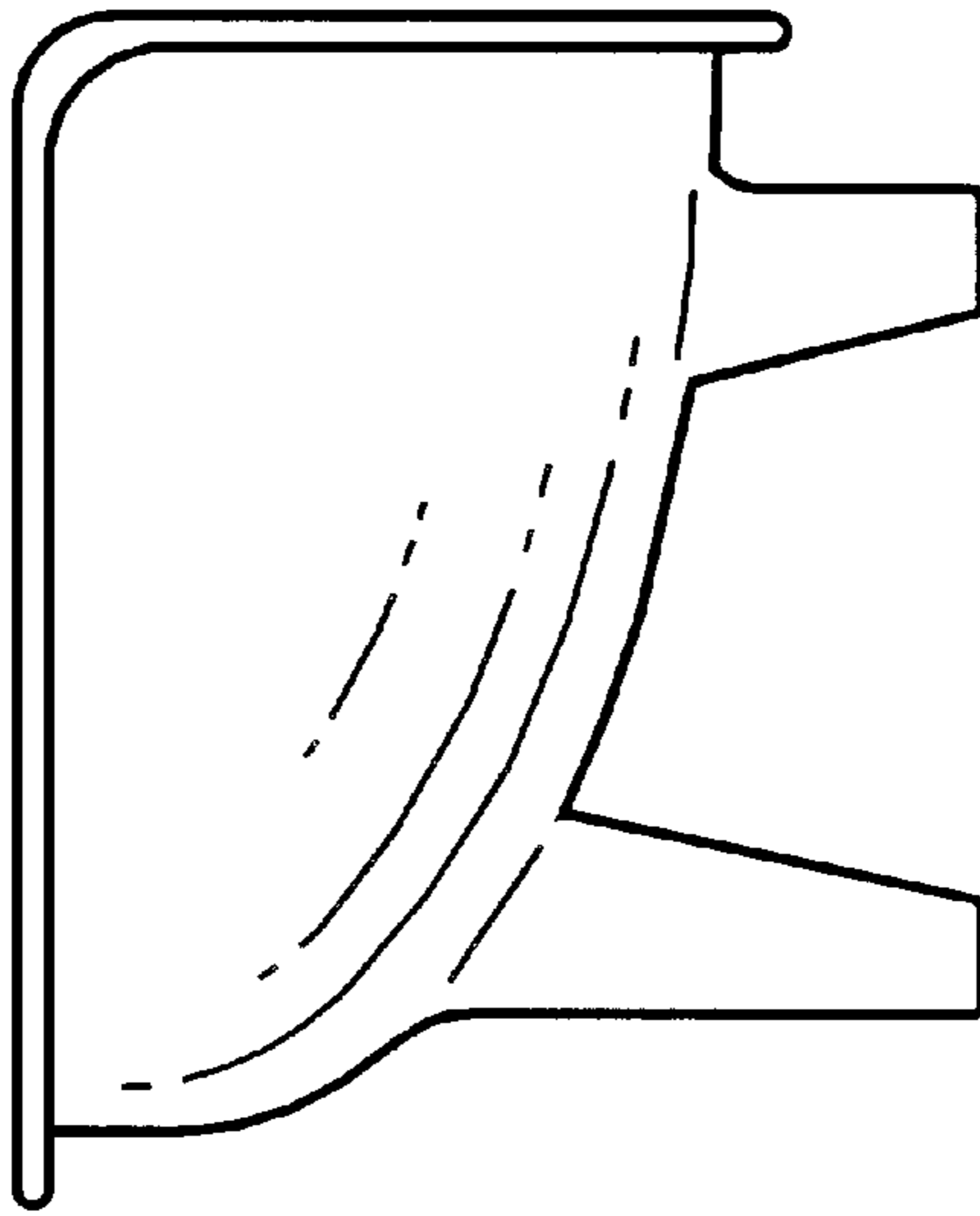


Fig. 3

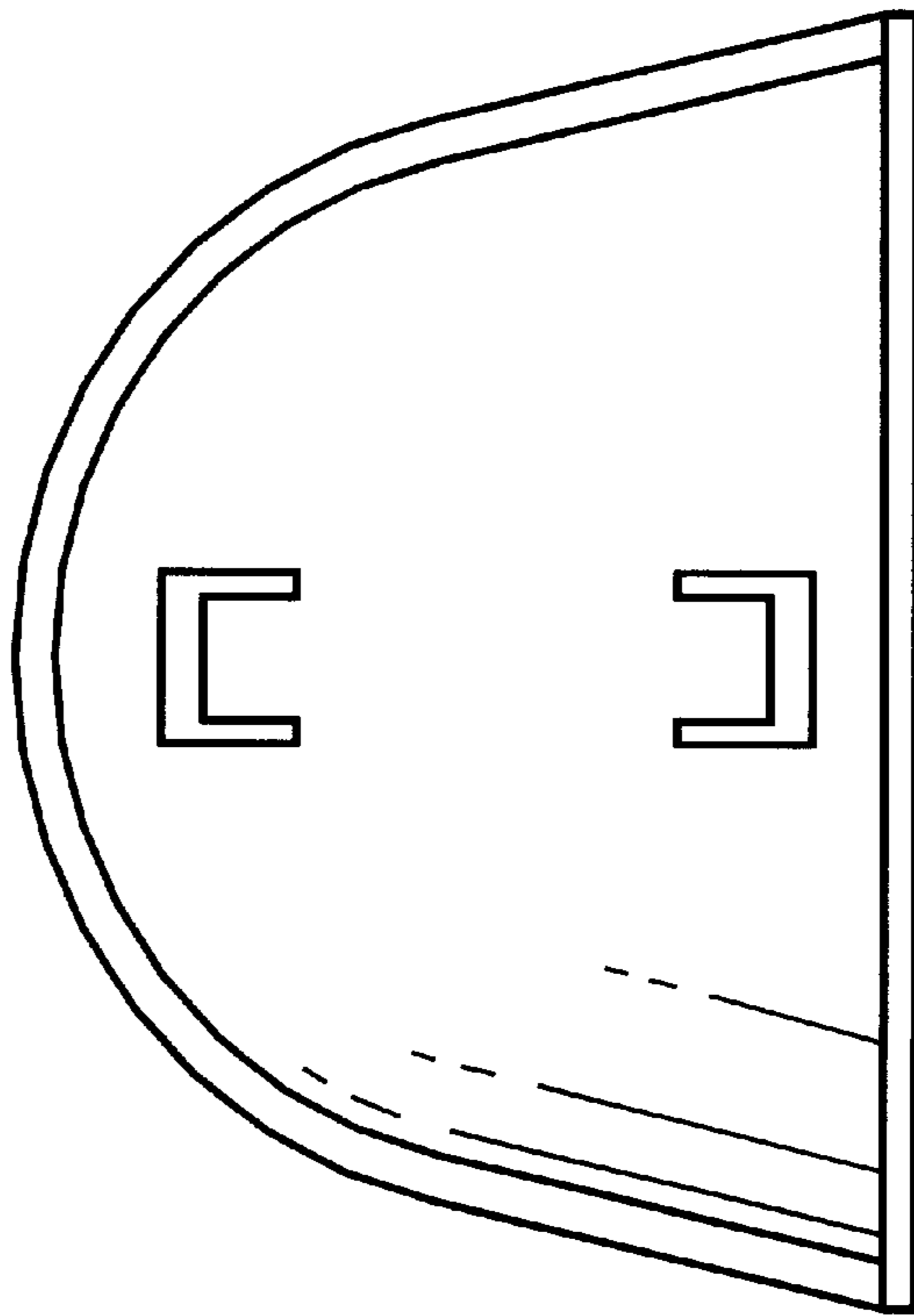


Fig. 4

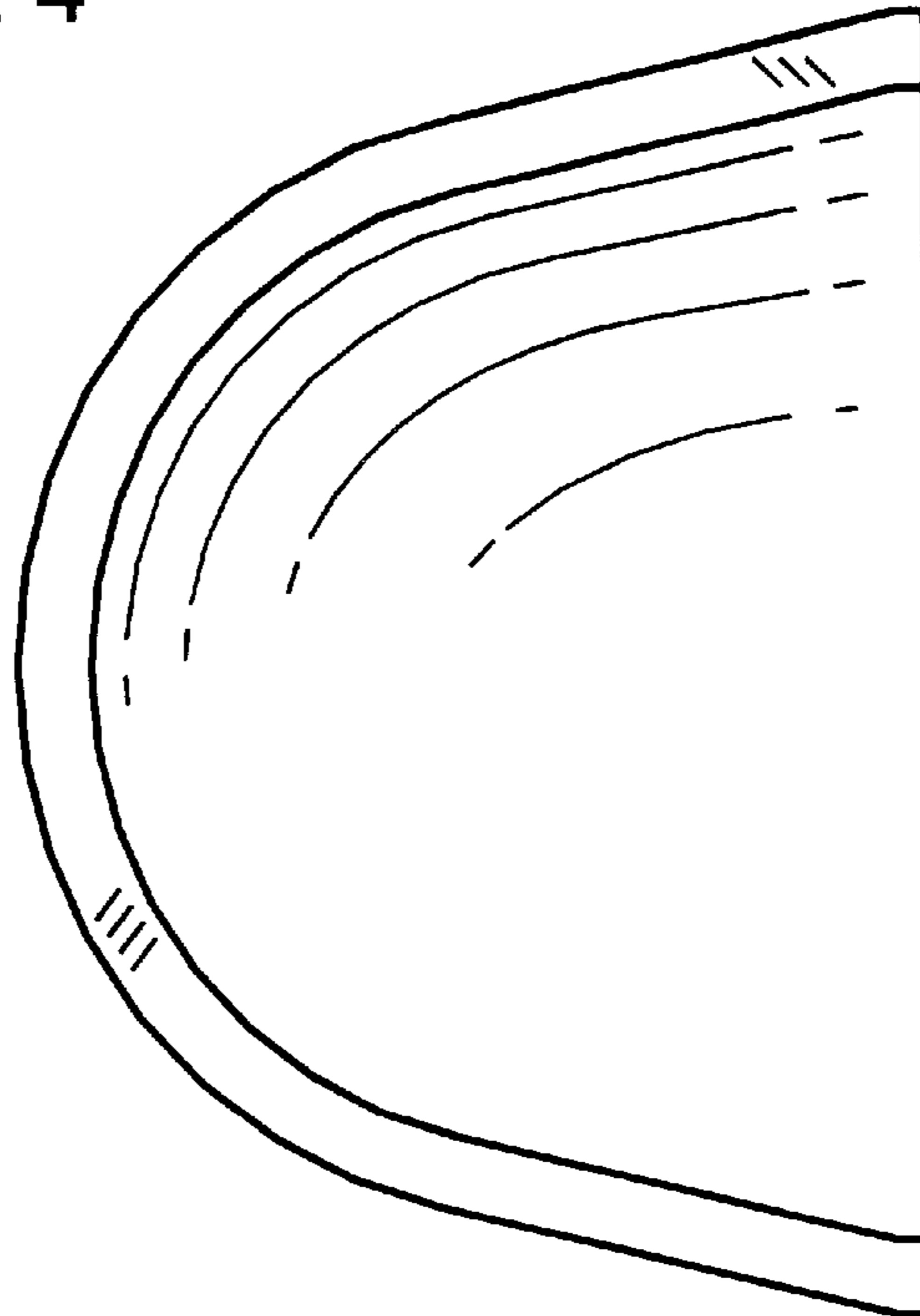


Fig. 5

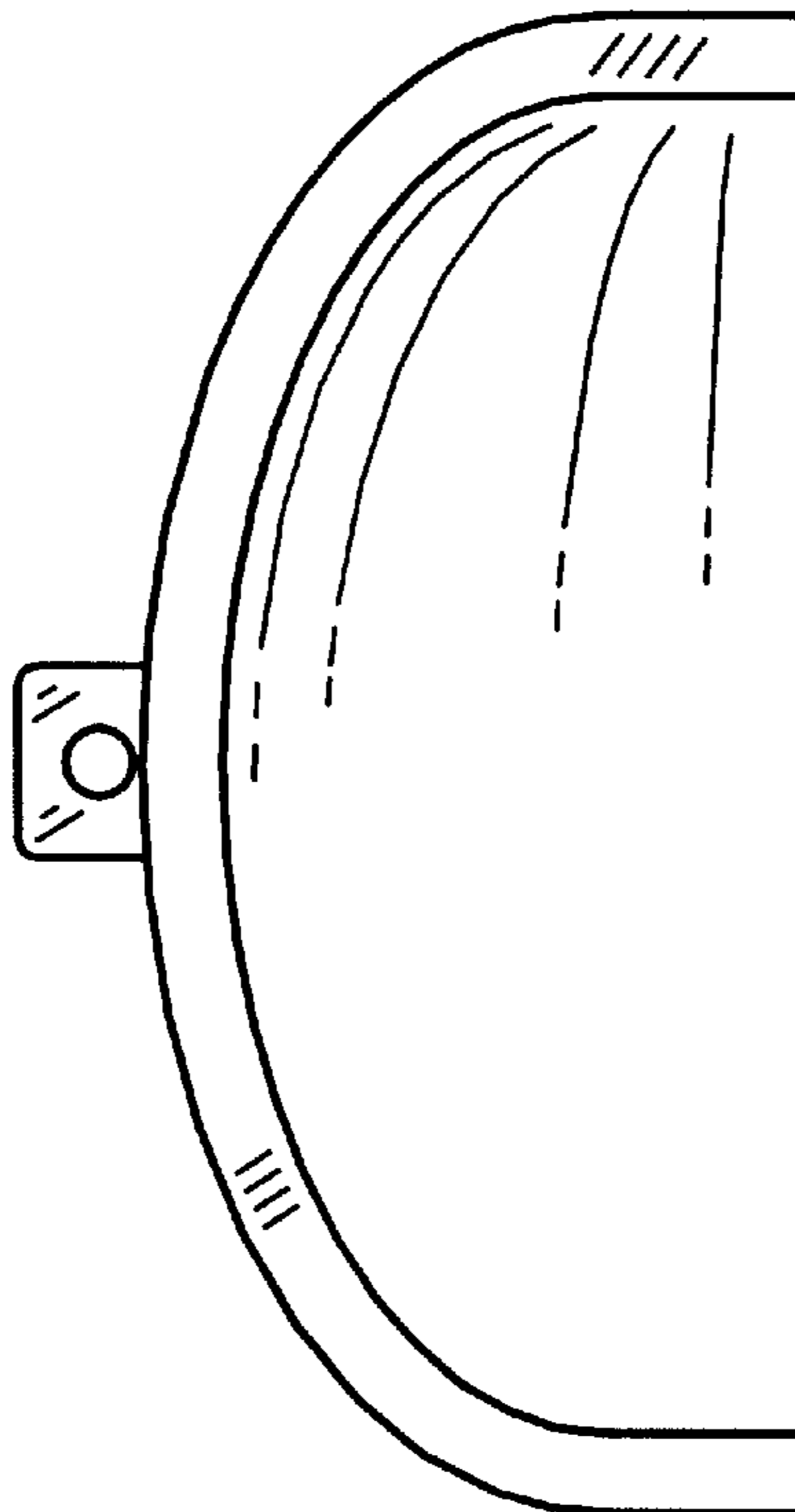


Fig. 6

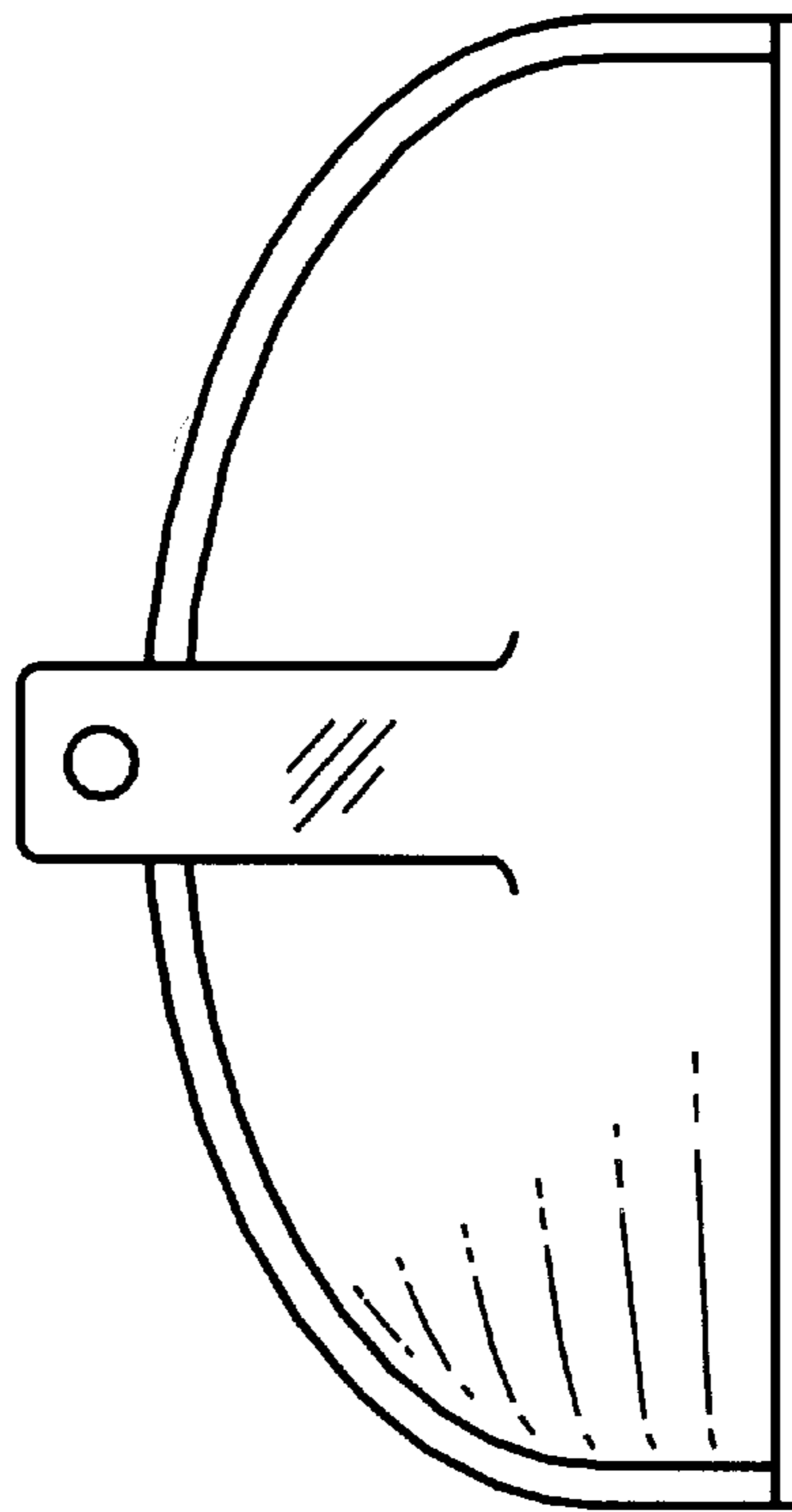


Fig. 7

