



US00D423504S

United States Patent [19]

Nishii et al.

[11] Patent Number: **Des. 423,504**

[45] Date of Patent: **** Apr. 25, 2000**

[54] **PAGER**

[75] Inventors: **Hiroki Nishii; Katsumi Nagano**, both of Kanagawa; **Morio Iwasaki**, Tokyo, all of Japan

[73] Assignee: **Matsushita Electric Industrial Co., Ltd.**, Japan

[**] Term: **14 Years**

[21] Appl. No.: **29/107,798**

[22] Filed: **Jul. 14, 1999**

[30] Foreign Application Priority Data

Mar. 30, 1999 [JP] Japan 11-8321

[51] **LOC (6) Cl.** **14-03**

[52] **U.S. Cl.** **D14/191**

[58] **Field of Search** D14/124, 188, D14/191, 192; 340/311.1; 455/92, 100, 128, 344

[56] References Cited

U.S. PATENT DOCUMENTS

D. 371,131 6/1996 Chan et al. D14/191

D. 375,099 10/1996 Khoo D14/191
D. 378,920 4/1997 Kurcbart et al. D14/191
D. 388,089 12/1997 Komamiya et al. D14/191

FOREIGN PATENT DOCUMENTS

1024807 11/1998 Japan .

Primary Examiner—Nanda Bondade
Attorney, Agent, or Firm—Saidman DesignLaw Group

[57] CLAIM

The ornamental design for a pager, as shown and described.

DESCRIPTION

FIG. 1 is a perspective view of the top, front and left side of a pager showing our new design;
FIG. 2 is a front view thereof;
FIG. 3 is a top view thereof;
FIG. 4 is a left side view thereof;
FIG. 5 is a right side view thereof;
FIG. 6 is a rear view thereof; and,
FIG. 7 is a bottom view thereof.

1 Claim, 3 Drawing Sheets

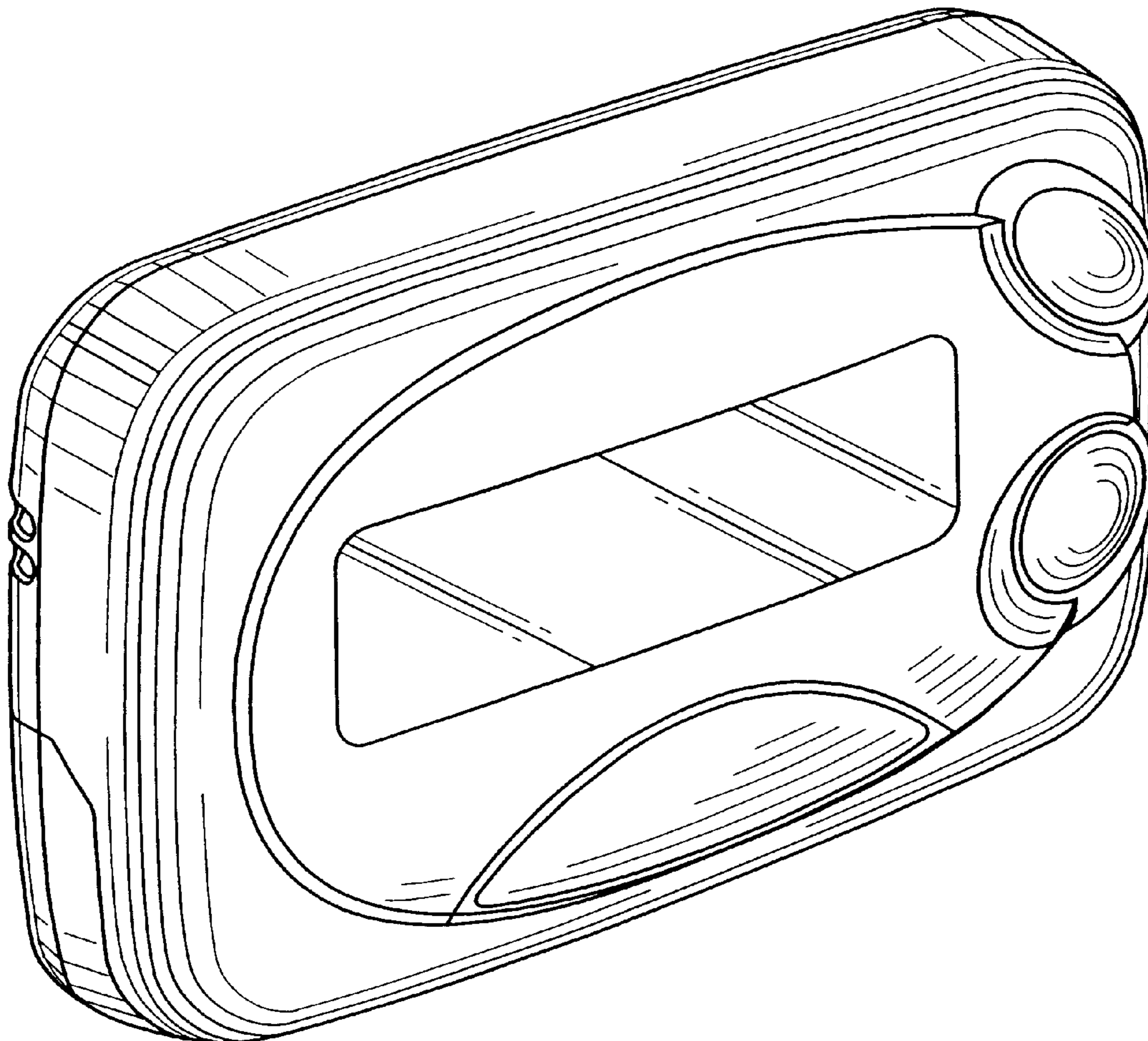


FIG. 1

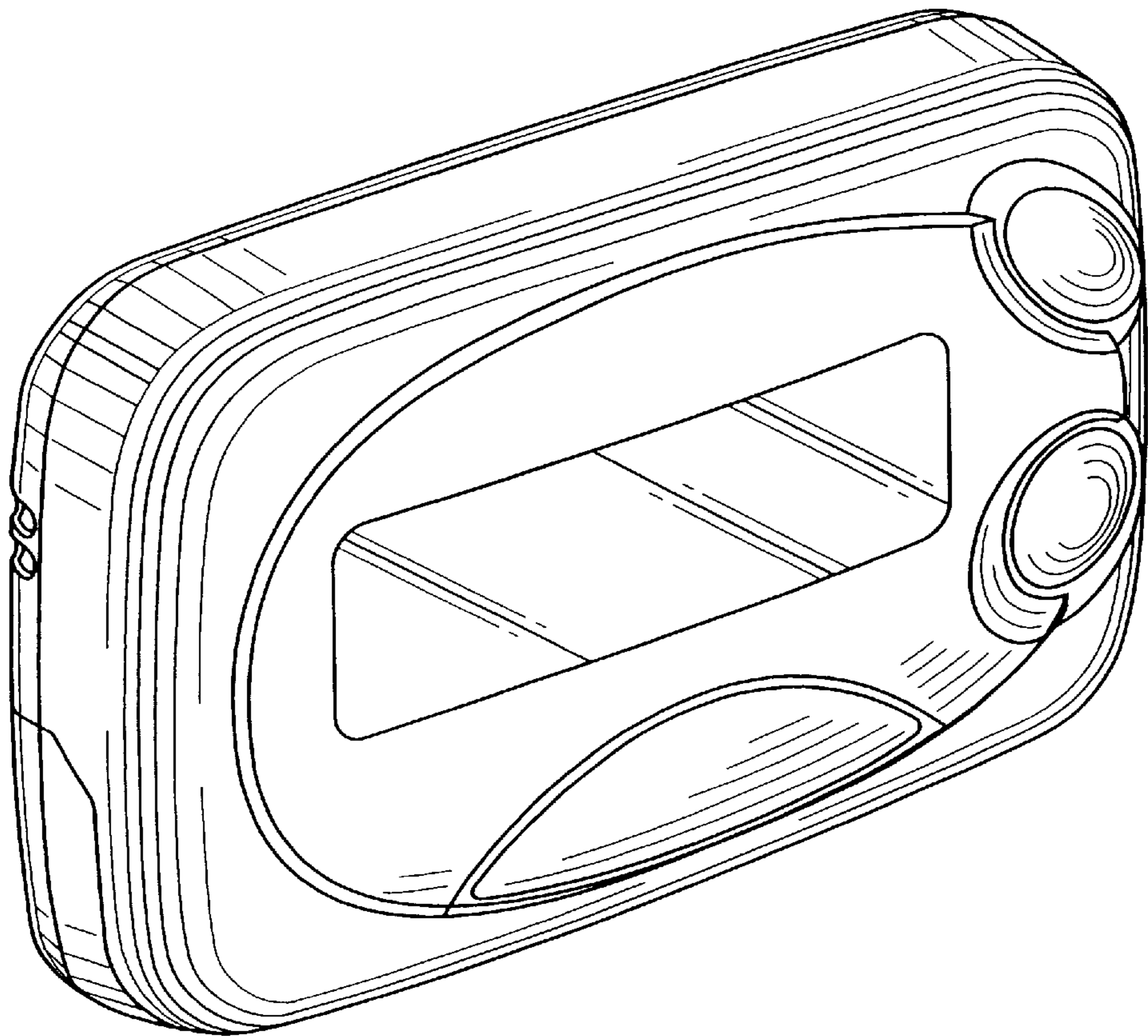


FIG. 2

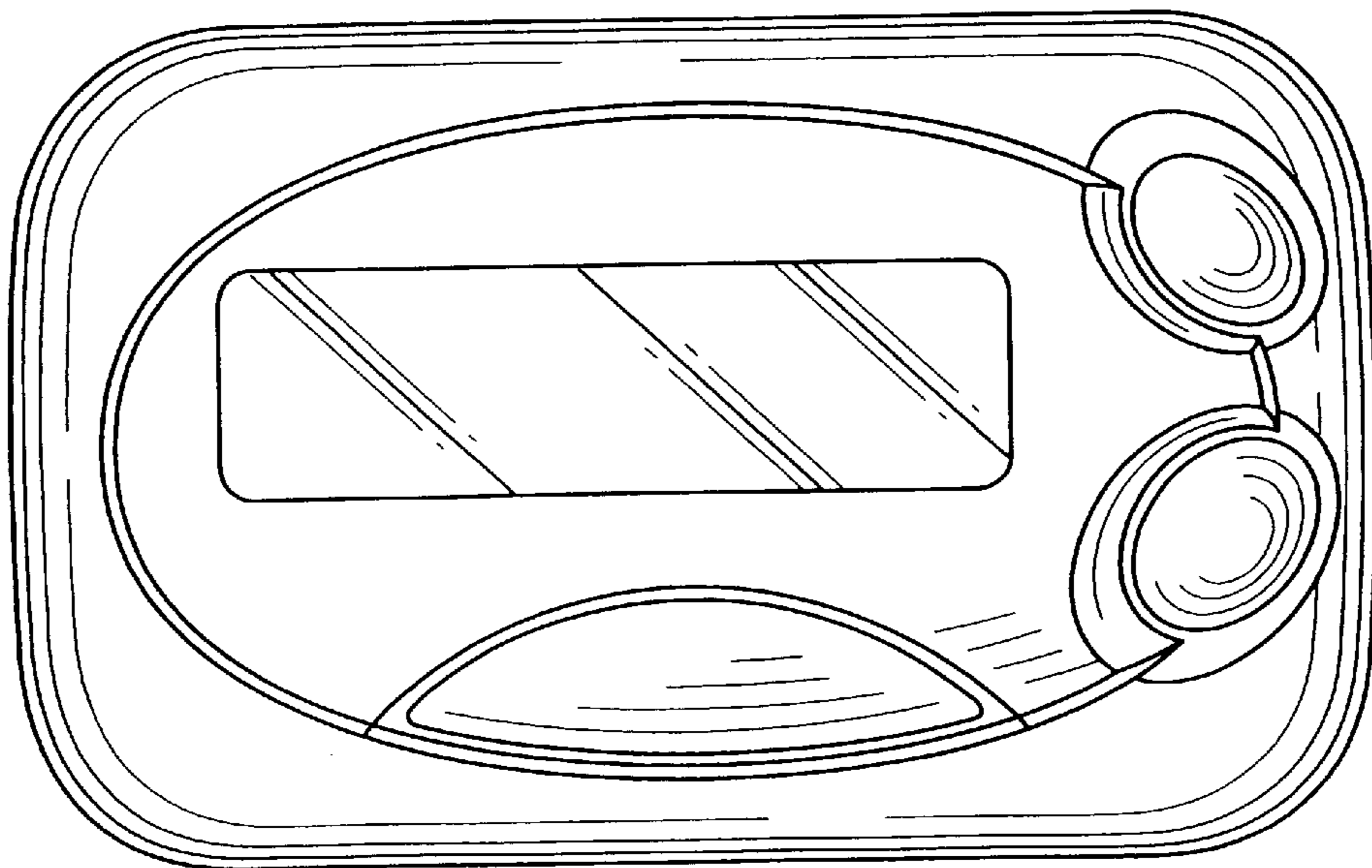


FIG. 3

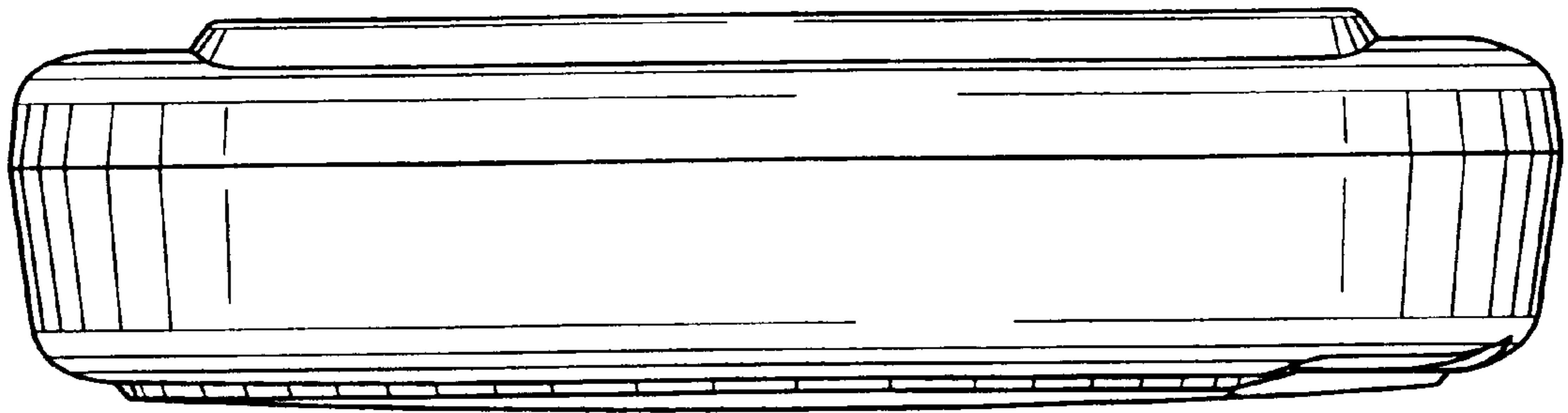


FIG. 4

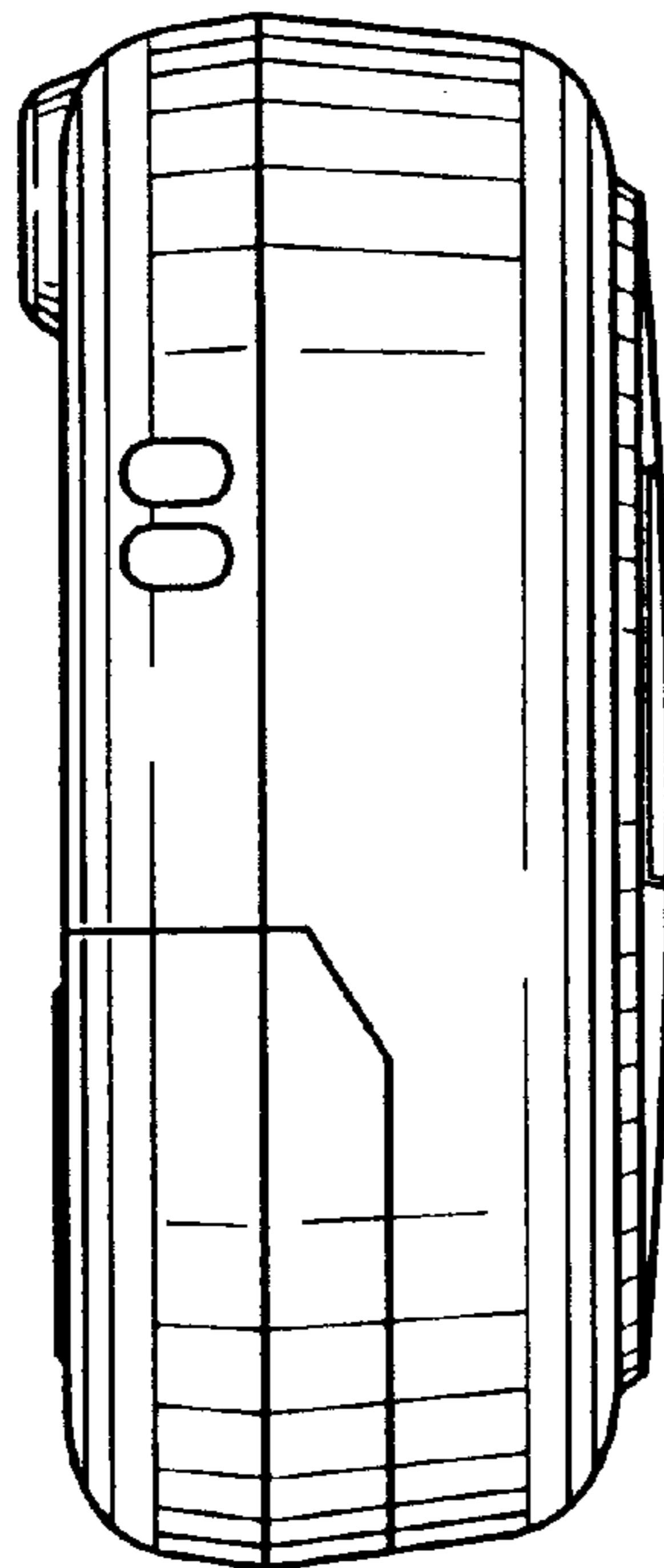


FIG. 5

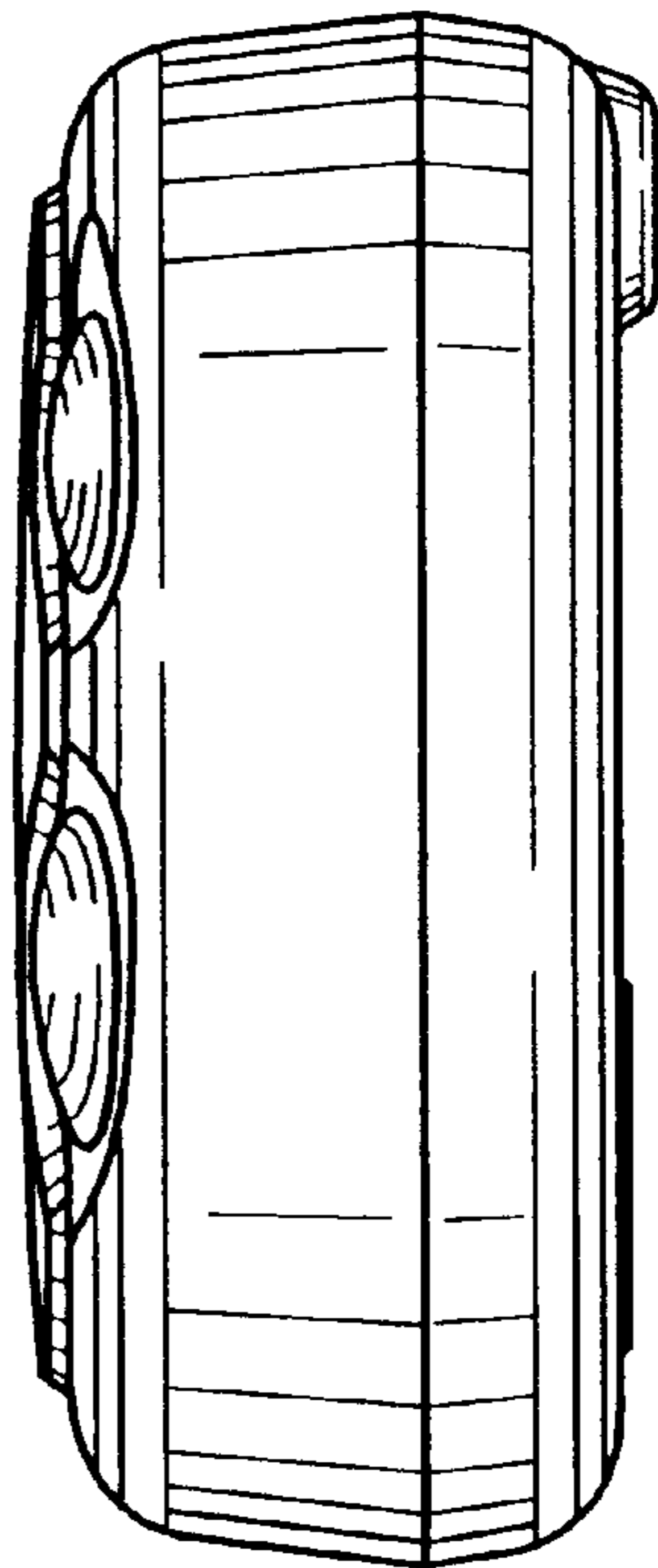


FIG. 6

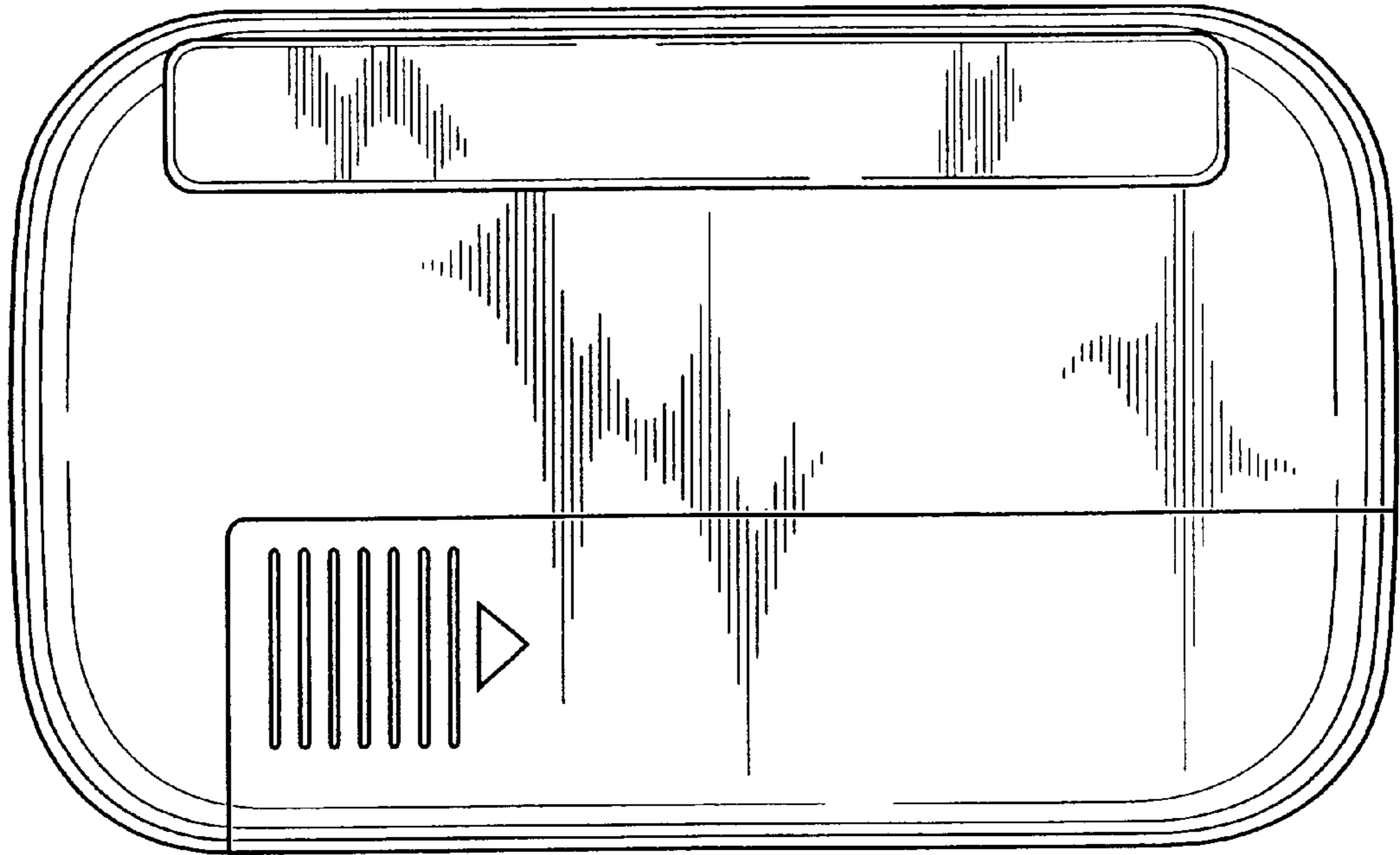


FIG. 7

