



US00D423503S

United States Patent [19]

Abdo

[11] Patent Number: Des. 423,503

[45] Date of Patent: ** Apr. 25, 2000

[54] AMPLIFIER

[75] Inventor: Nasser A. Abdo, La Habra, Calif.

[73] Assignee: Audiobahn, Inc., La Habra, Calif.

[**] Term: 14 Years

[21] Appl. No.: 29/105,160

[22] Filed: May 19, 1999

[51] LOC (6) Cl. 14-03

[52] U.S. Cl. D14/188

[58] Field of Search D14/124, 168-169, D14/188-189, 193-198, 265; 455/100, 344, 347, 350; 312/7.1

[56] References Cited

U.S. PATENT DOCUMENTS

- D. 322,069 12/1991 Seror D14/188
- D. 377,795 2/1997 Gropper D14/188 X
- D. 385,882 11/1997 Frederick et al. D14/188
- D. 386,178 11/1997 Frederick et al. D14/188

Primary Examiner—Nanda Bondade
Attorney, Agent, or Firm—Irving Keschner

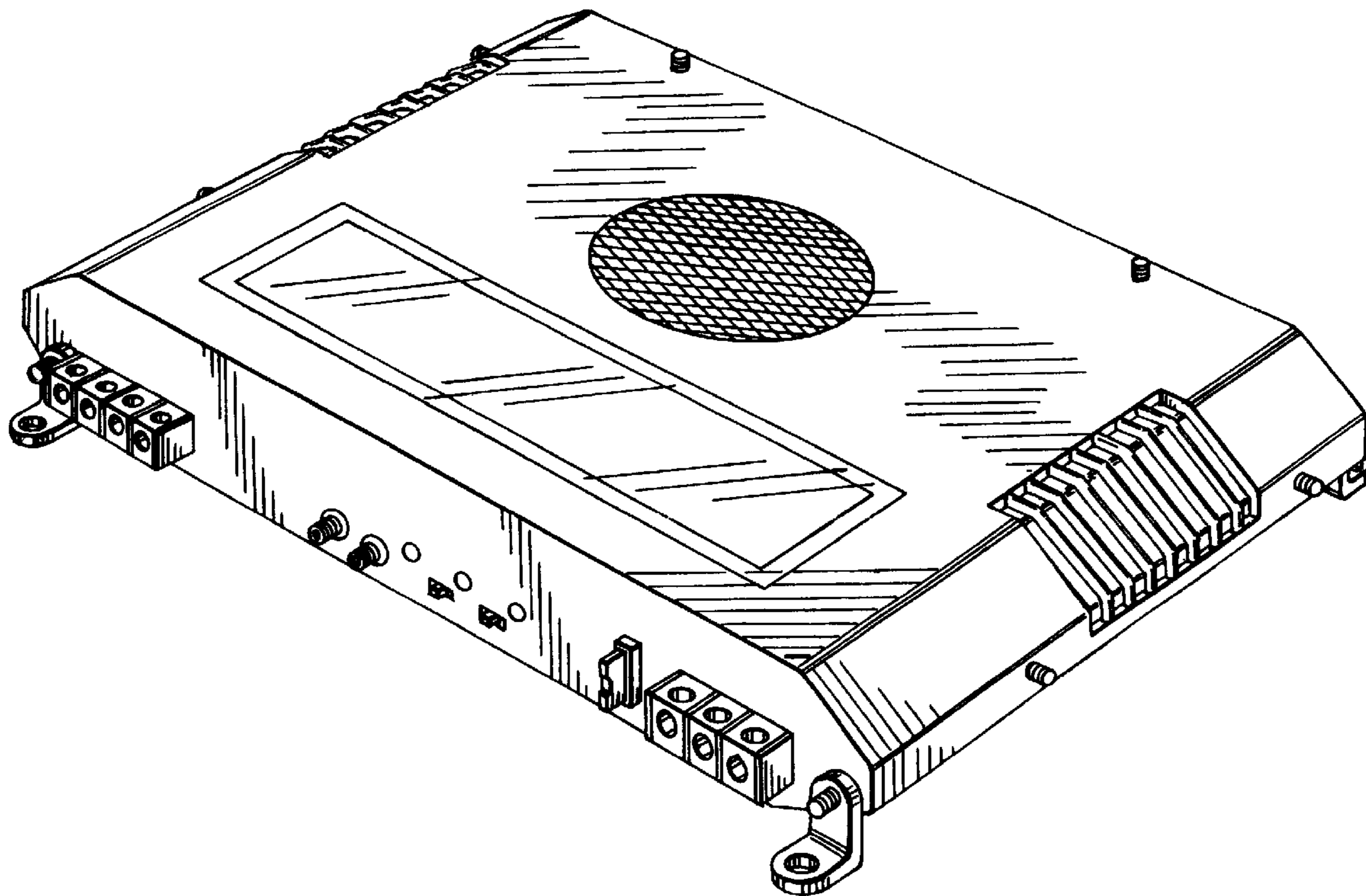
[57] CLAIM

The ornamental design for an amplifier, as shown.

DESCRIPTION

FIG. 1 is a perspective view of the ornamental design of the present invention;
 FIG. 2 is a top view of the ornamental design of the present invention;
 FIG. 3 is a front elevation view of the ornamental design of the present invention;
 FIG. 4 is a rear elevation view of the ornamental design of the present invention;
 FIG. 5 is a right elevational view of the ornamental design of the present invention;
 FIG. 6 is a left elevational view of the ornamental design of the present invention; and,
 FIG. 7 is a bottom view of the ornamental design of the present invention.

1 Claim, 2 Drawing Sheets



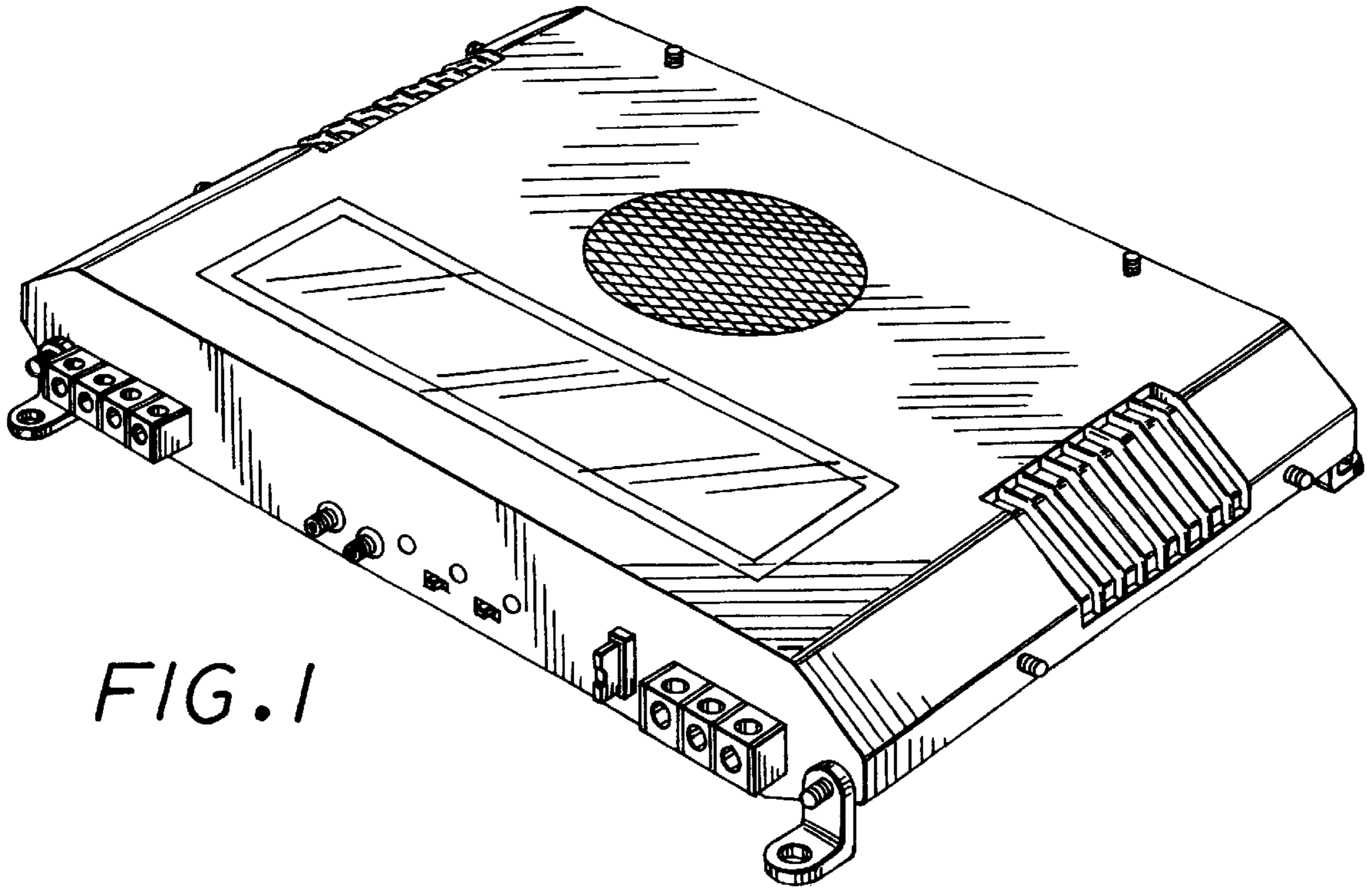


FIG. 1

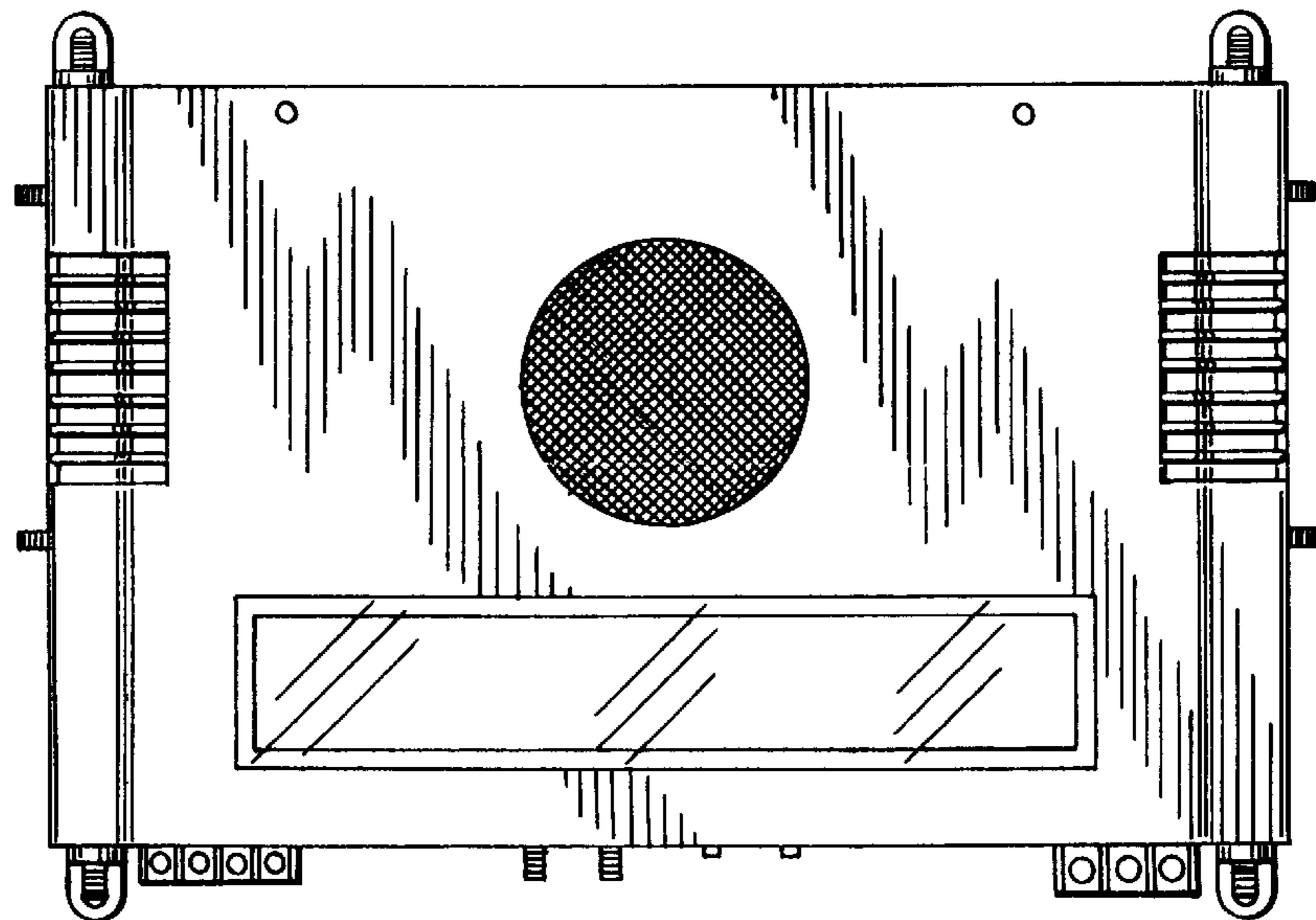


FIG. 2

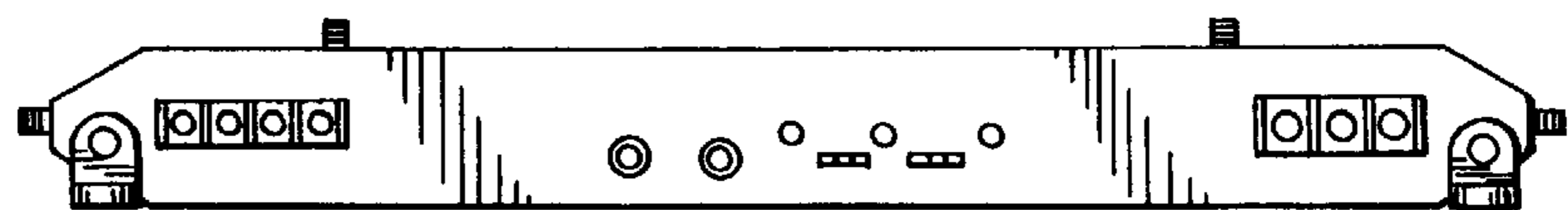


FIG. 3

FIG. 4



FIG. 5

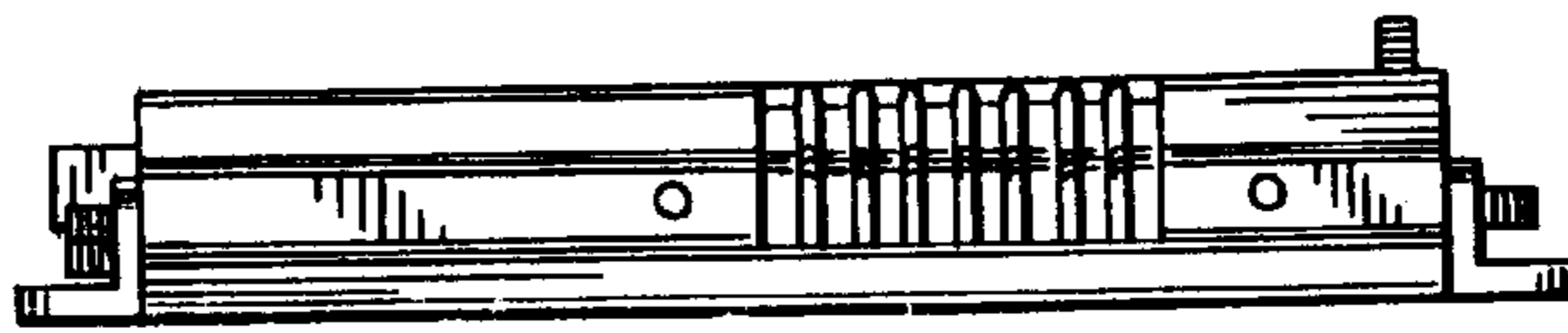


FIG. 6

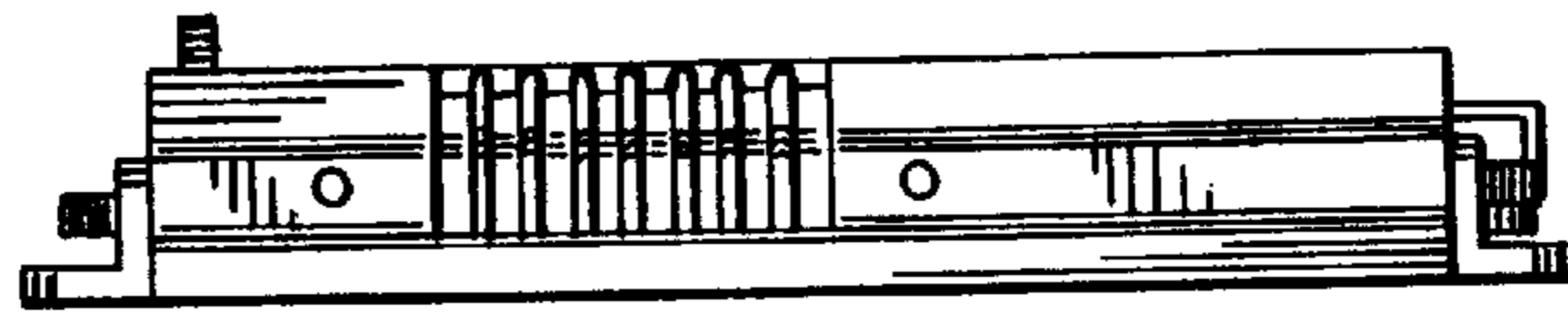


FIG. 7

