



US00D423500S

United States Patent [19] Miyazaki

[11] **Patent Number: Des. 423,500**

[45] **Date of Patent: ** Apr. 25, 2000**

[54] **COMBINED DISC RECORDER AND PLAYER**

[75] Inventor: **Tetsuro Miyazaki**, Tokyo, Japan

[73] Assignee: **Sony Corporation**, Japan

[**] Term: **14 Years**

[21] Appl. No.: **29/092,650**

[22] Filed: **Aug. 24, 1998**

[51] **LOC (6) Cl.** **14-01**

[52] **U.S. Cl.** **D14/168; D14/156**

[58] **Field of Search** D14/135, 136,
D14/156, 160-168, 188, 197-198; 369/75.1,
75.2, 77.1, 77.2; 455/344, 347, 350, 351

[56] **References Cited**

U.S. PATENT DOCUMENTS

D. 280,503	9/1985	Onozaki et al.	D14/156
D. 310,837	9/1990	Takimoto	D14/156 X
D. 341,832	11/1993	Ito et al.	D14/198

OTHER PUBLICATIONS

Sony Catalog 88, DHC-MD515, p. 119, Mar. 1998.

Primary Examiner—Nanda Bondade
Attorney, Agent, or Firm—Rader, Fishman & Grauer

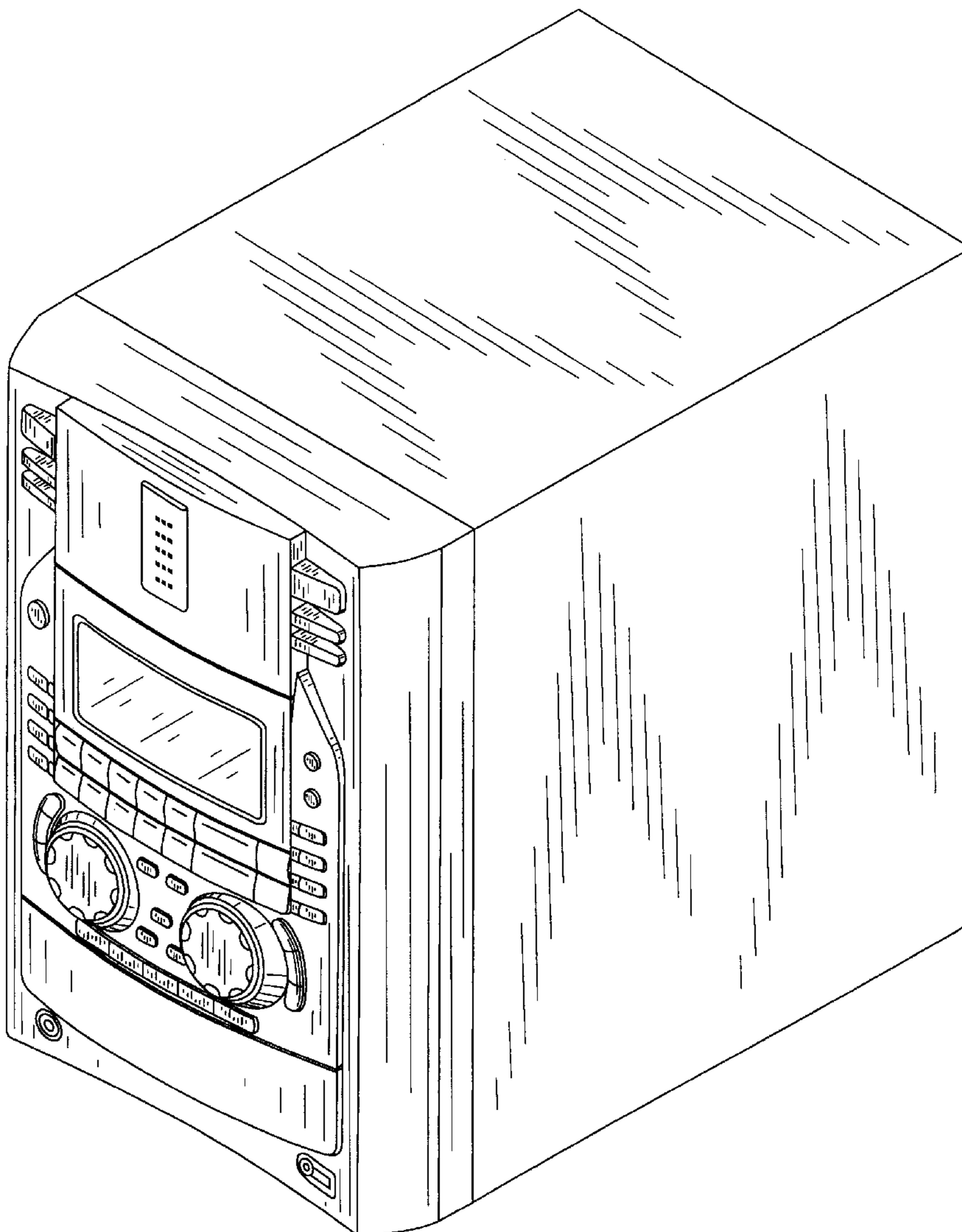
[57] **CLAIM**

The ornamental design for a combined disc recorder and player, as shown and described.

DESCRIPTION

FIG. 1 is a perspective view of a combined disc recorder and player showing my new design;
FIG. 2 is a top plan view thereof;
FIG. 3 is a left side elevational view thereof;
FIG. 4 is a front elevational view thereof;
FIG. 5 is a right side elevational view thereof;
FIG. 6 is a rear elevational view thereof; and,
FIG. 7 is a bottom plan view thereof.

1 Claim, 4 Drawing Sheets



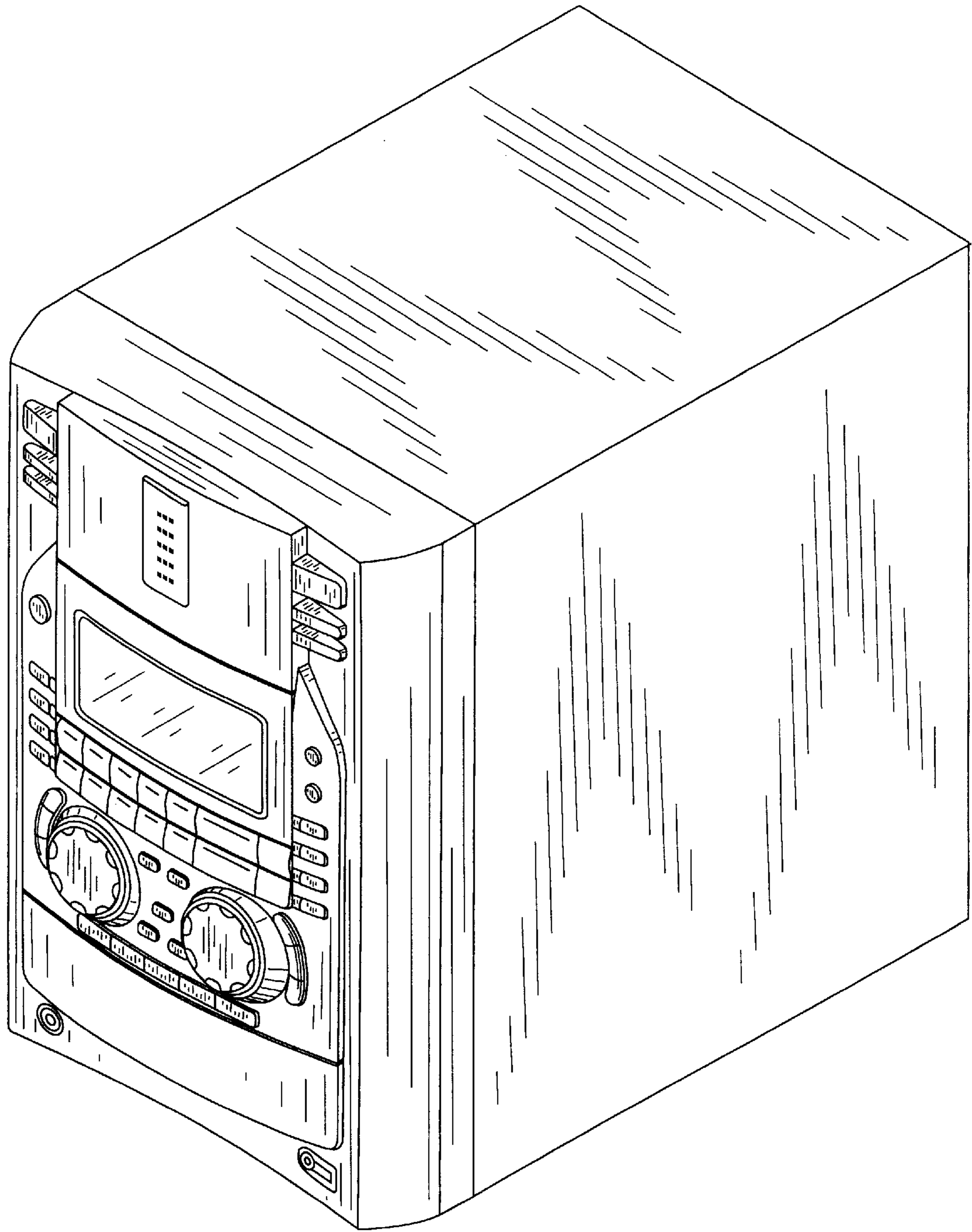


FIG. 1

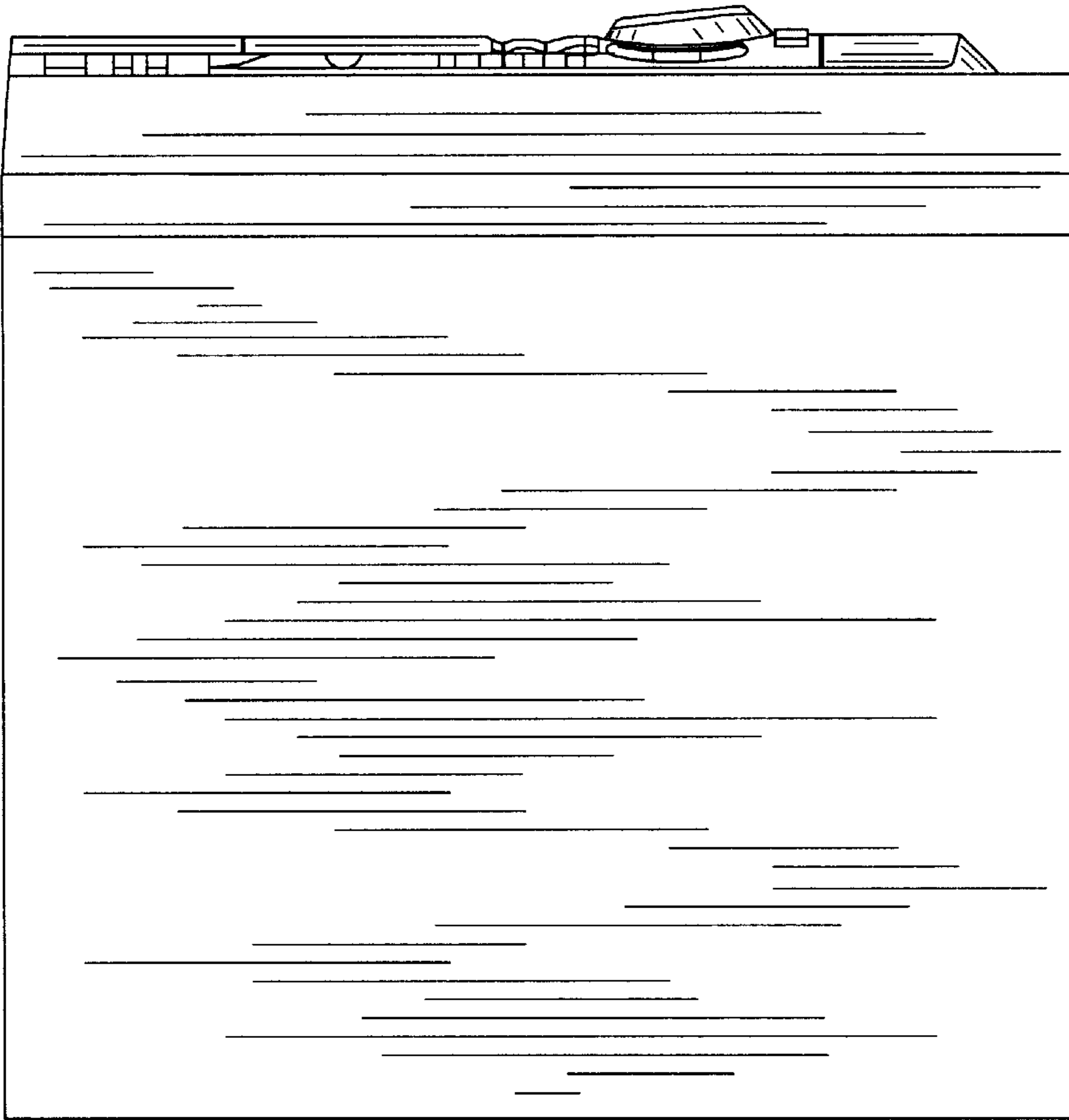


FIG. 3

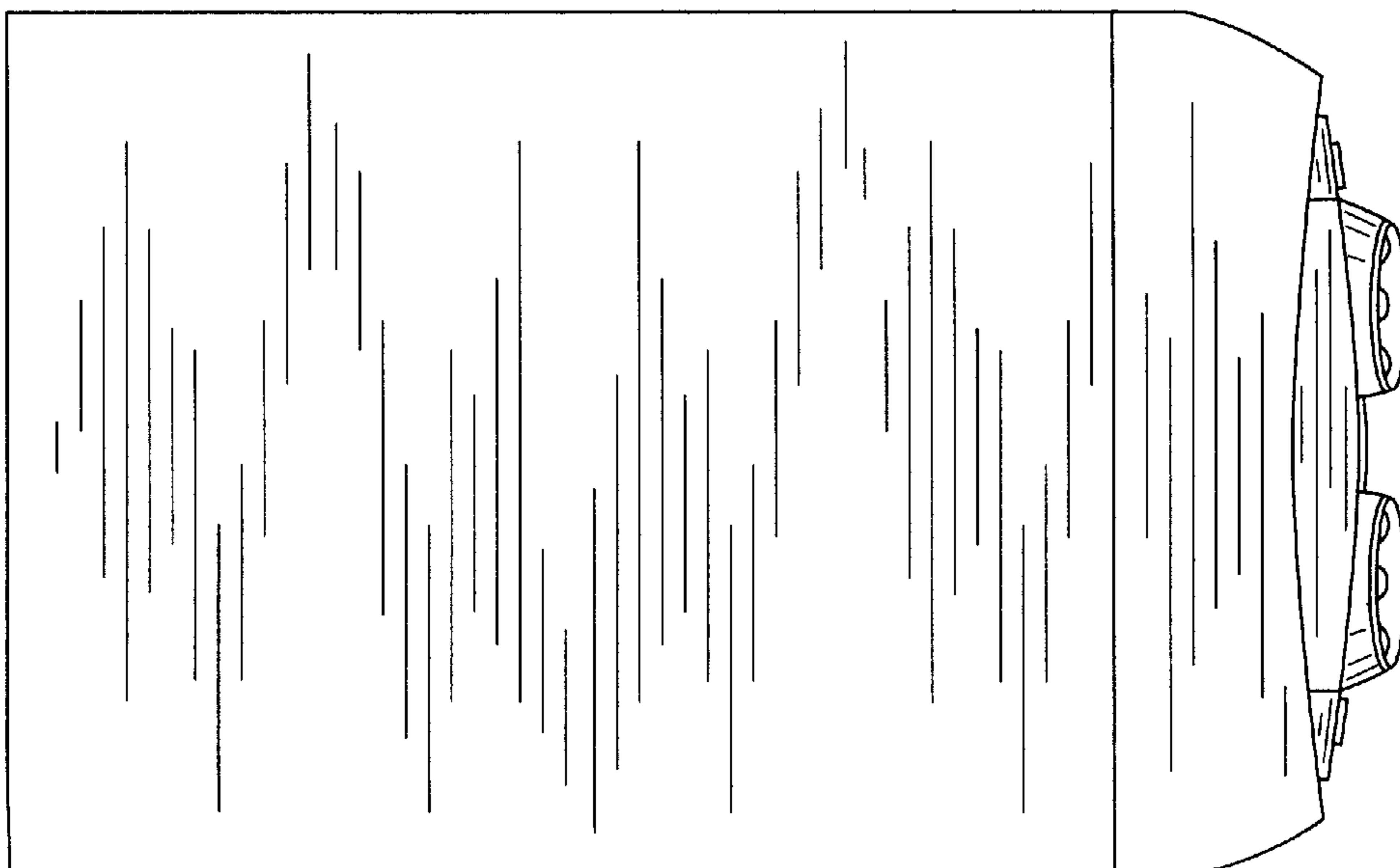


FIG. 2

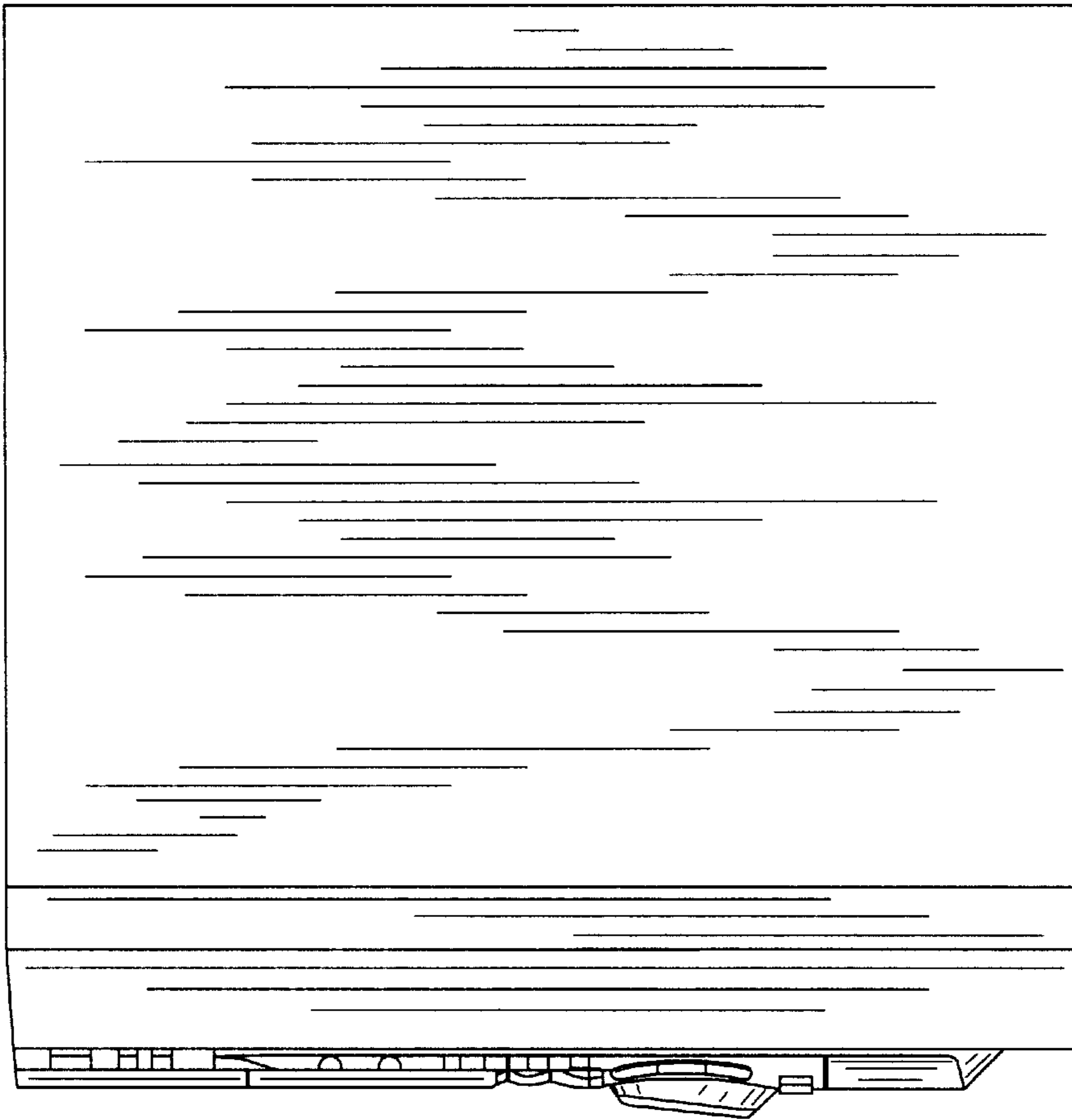


FIG. 5

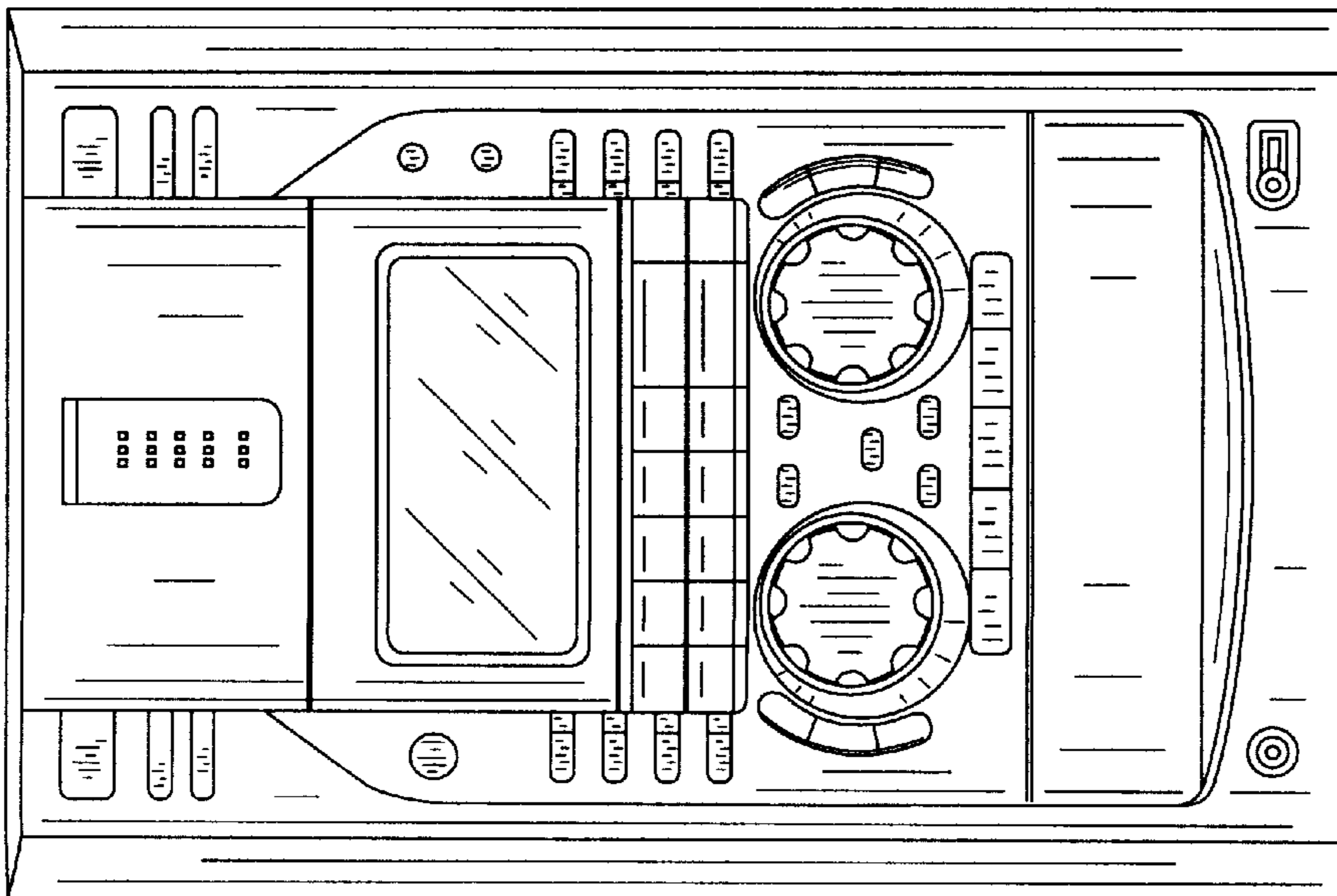


FIG. 4



FIG. 6

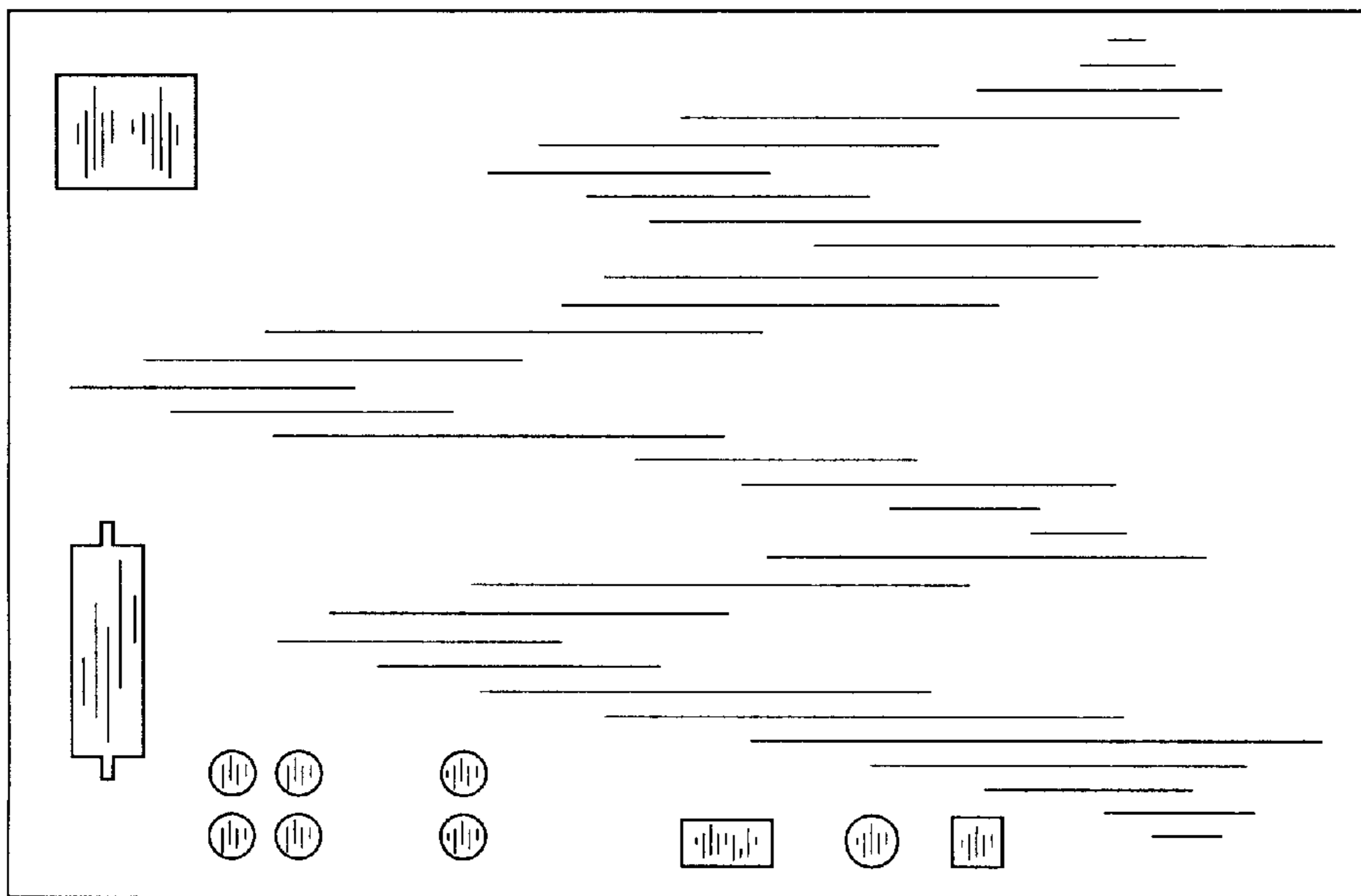


FIG. 7