



US00D423499S

United States Patent [19]

Ito et al.

[11] Patent Number: **Des. 423,499**

[45] Date of Patent: **** Apr. 25, 2000**

[54] **COMBINED DIGITAL AUDIO DISC PLAYER, RADIO TUNER, AMPLIFIER, TAPE RECORDER AND RECORD PLAYER**

D. 310,222 8/1990 Aoki et al. D14/168
D. 316,715 5/1991 Shibata D14/169 X
D. 327,684 7/1992 Totsuka D14/168

[75] Inventors: **Masafumi Ito; Hiroyuki Watanabe; Yukio Iikura**, all of Musashino, Japan

Primary Examiner—Nanda Bondade
Attorney, Agent, or Firm—Ladas & Parry

[73] Assignee: **Teac Corporation**, Tokyo, Japan

[57] CLAIM

[**] Term: **14 Years**

The ornamental design for a combined digital audio disc player, radio tuner, amplifier, tape recorder and record player, as shown and described.

[21] Appl. No.: **29/088,881**

[22] Filed: **Jun. 3, 1998**

DESCRIPTION

[30] Foreign Application Priority Data

Dec. 5, 1997 [JP] Japan 9-77620

[51] **LOC (6) Cl.** **14-01**

[52] **U.S. Cl.** **D14/168; D14/202**

[58] **Field of Search** D14/124, 135, D14/136, 156, 160-169, 188, 193-199, 202; 312/7.1; 369/75.1, 77.1, 77.2; 455/344, 347, 350, 351

FIG. 1 is a perspective view of a combined digital audio disc player, radio tuner, amplifier, tape recorder and record player showing our new design;

FIG. 2 is a front view thereof;

FIG. 3 is a rear view thereof;

FIG. 4 is a top view thereof;

FIG. 5 is a bottom view thereof;

FIG. 6 is a right side view thereof; and,

FIG. 7 is a left side view thereof.

[56] References Cited

U.S. PATENT DOCUMENTS

D. 239,970 5/1976 Boldt et al. D14/169

1 Claim, 4 Drawing Sheets

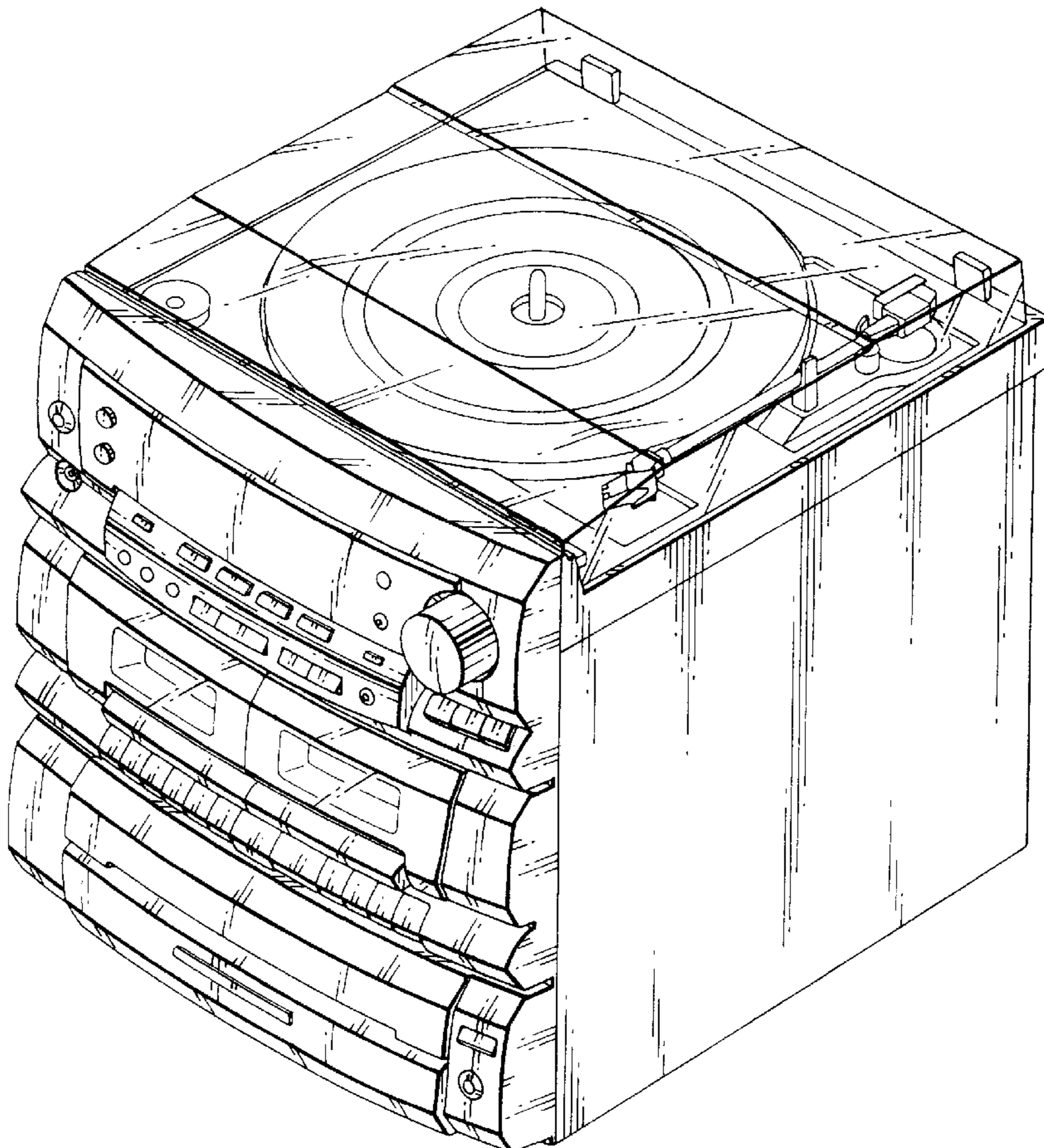


FIG. 1

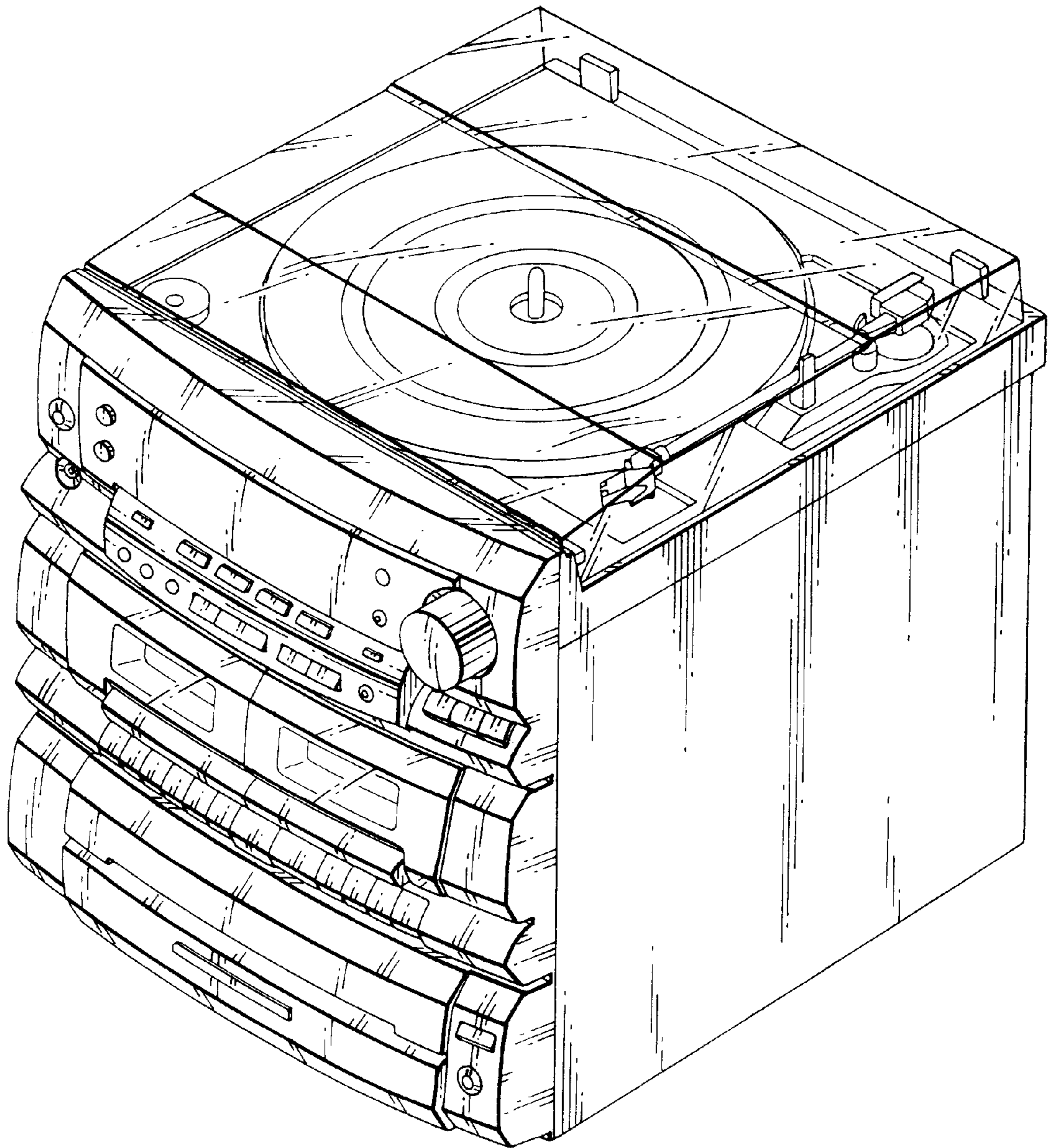


FIG. 2

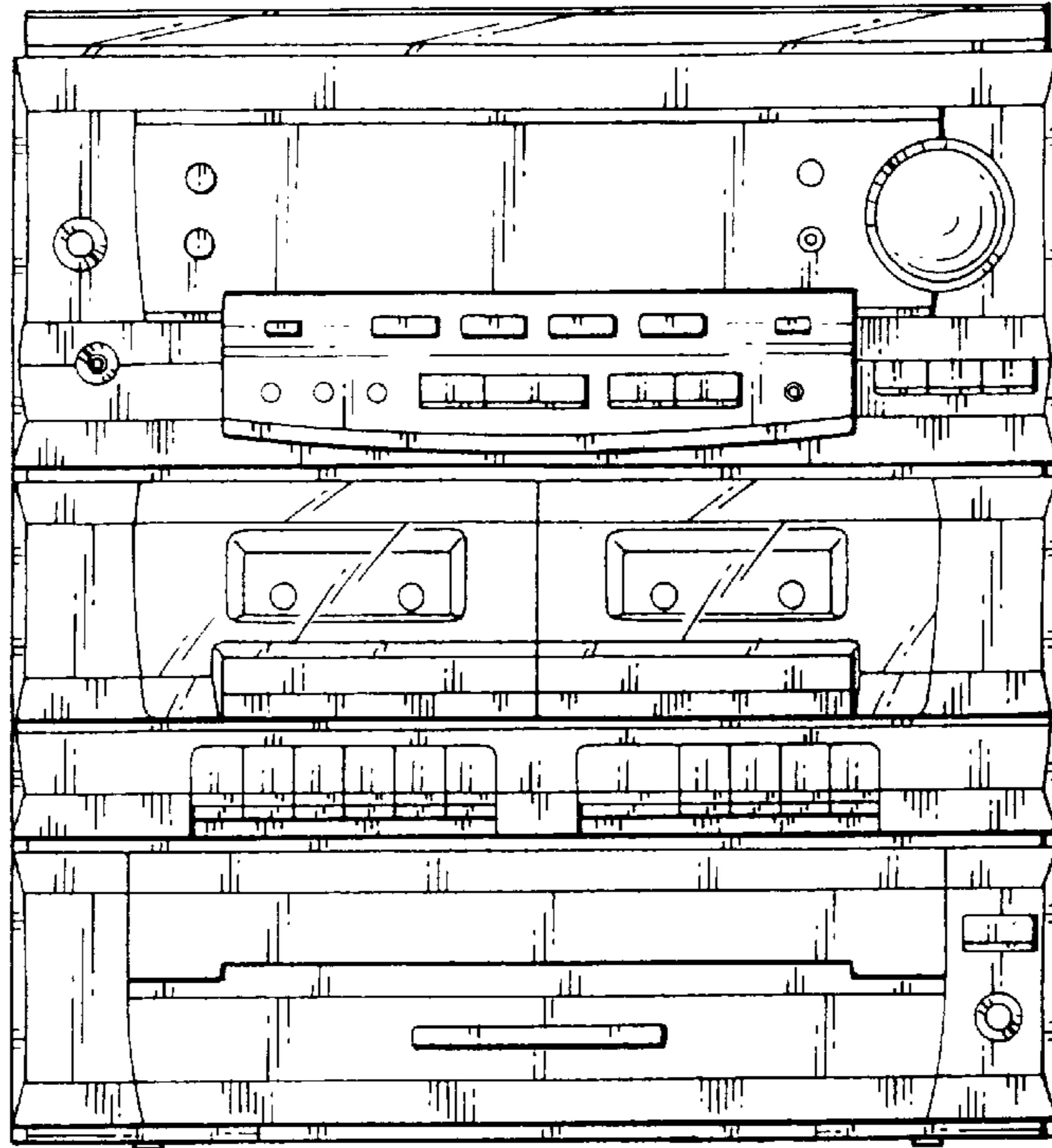


FIG. 3

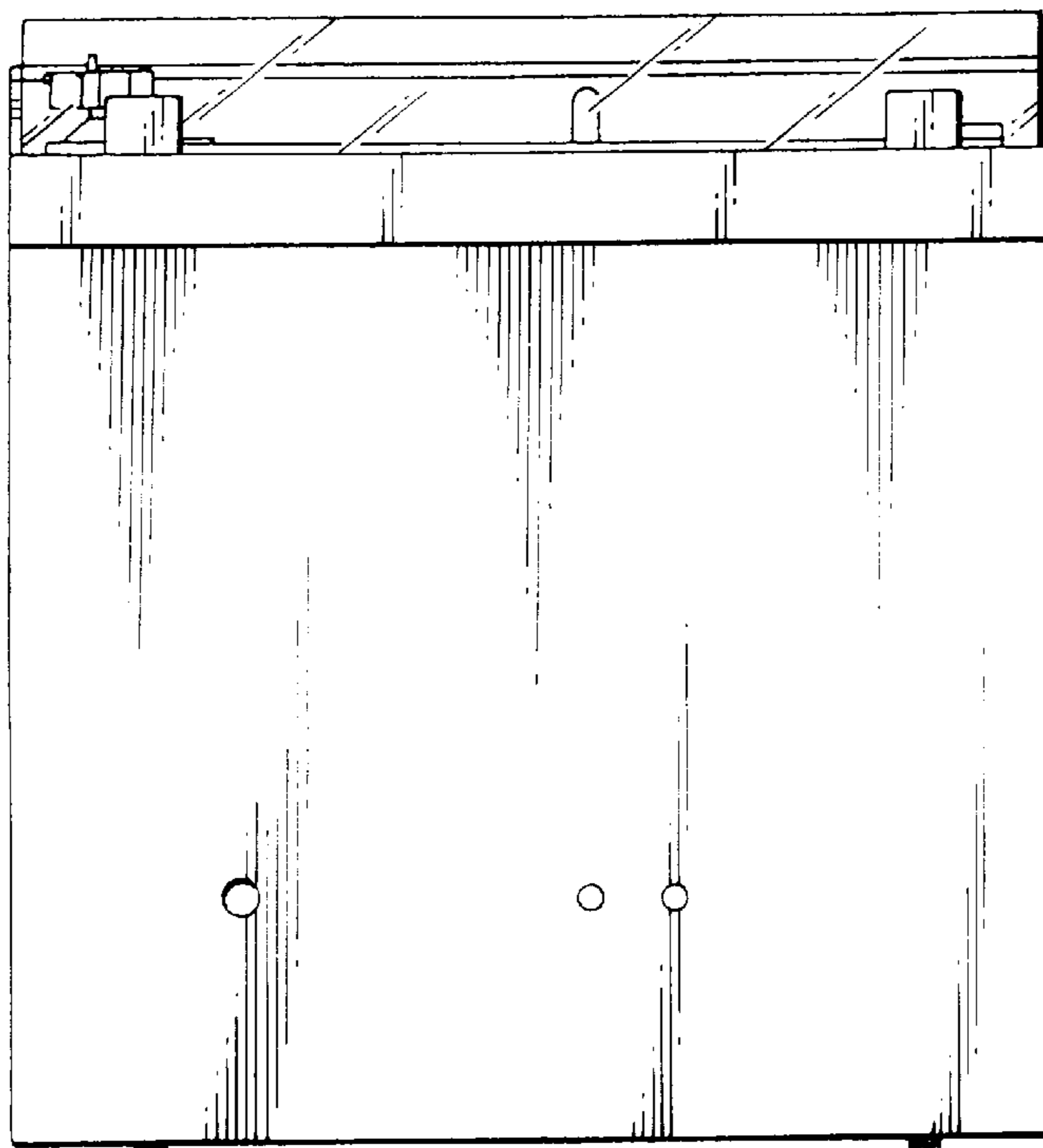


FIG. 4

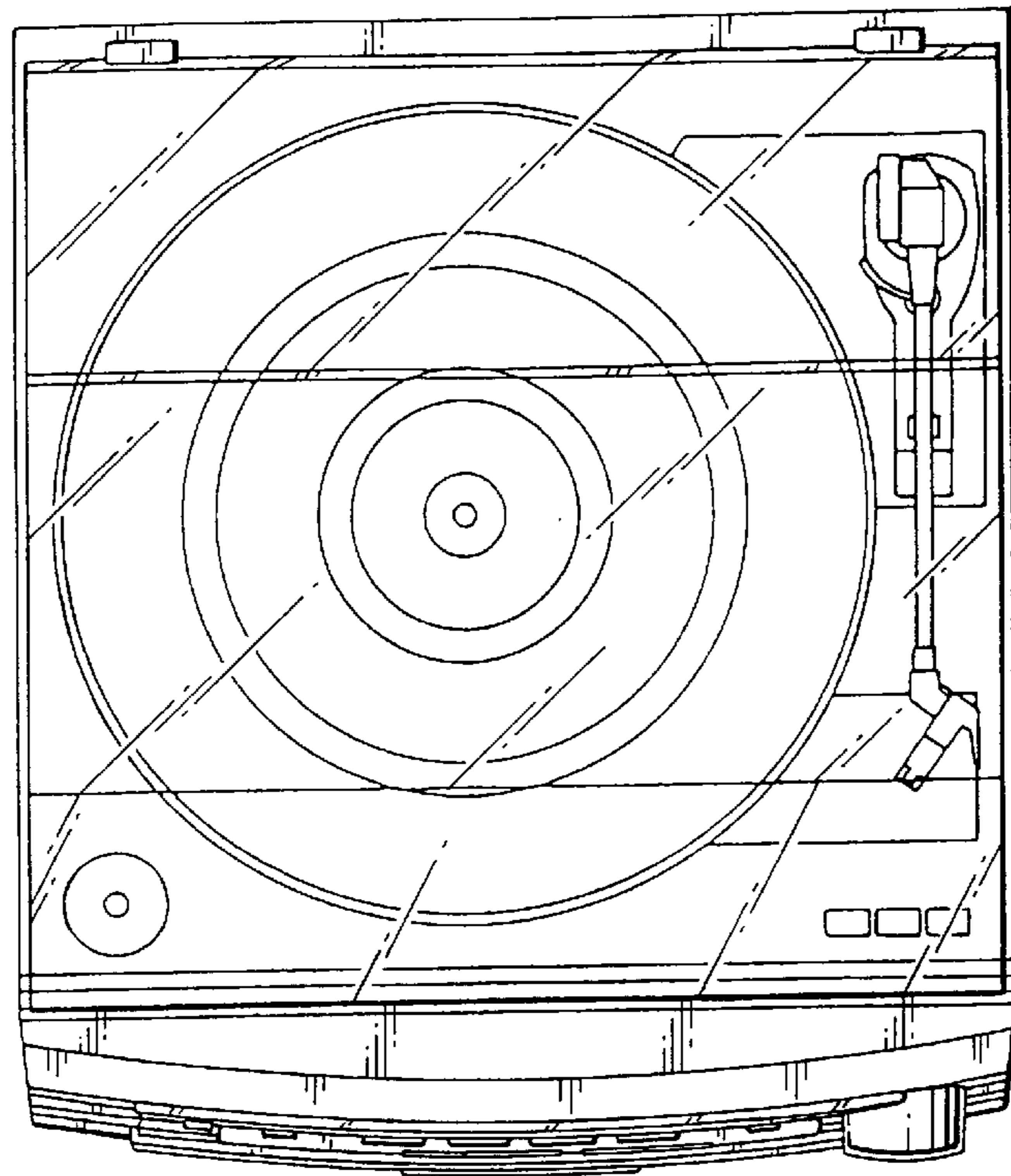


FIG. 5

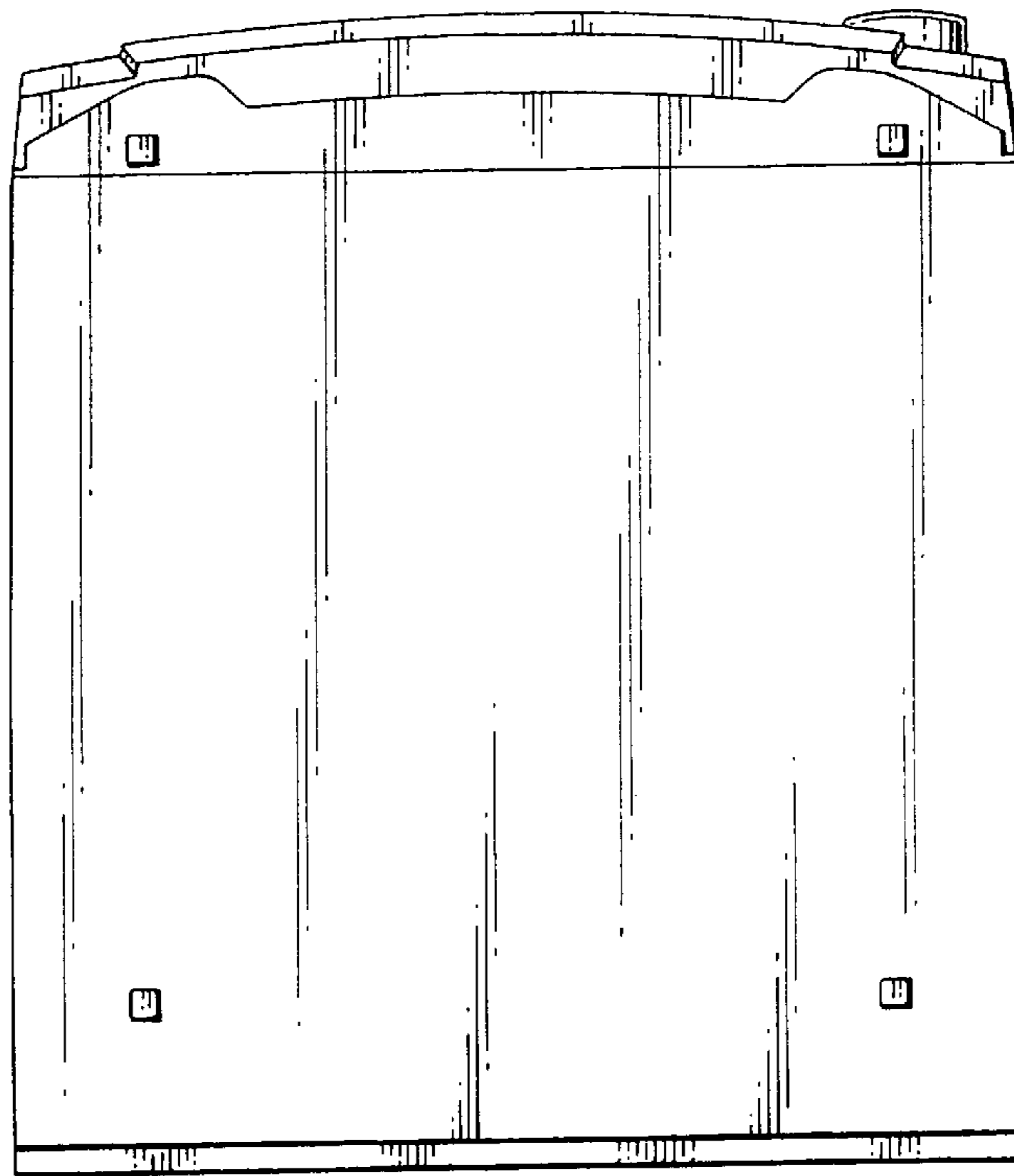


FIG. 6

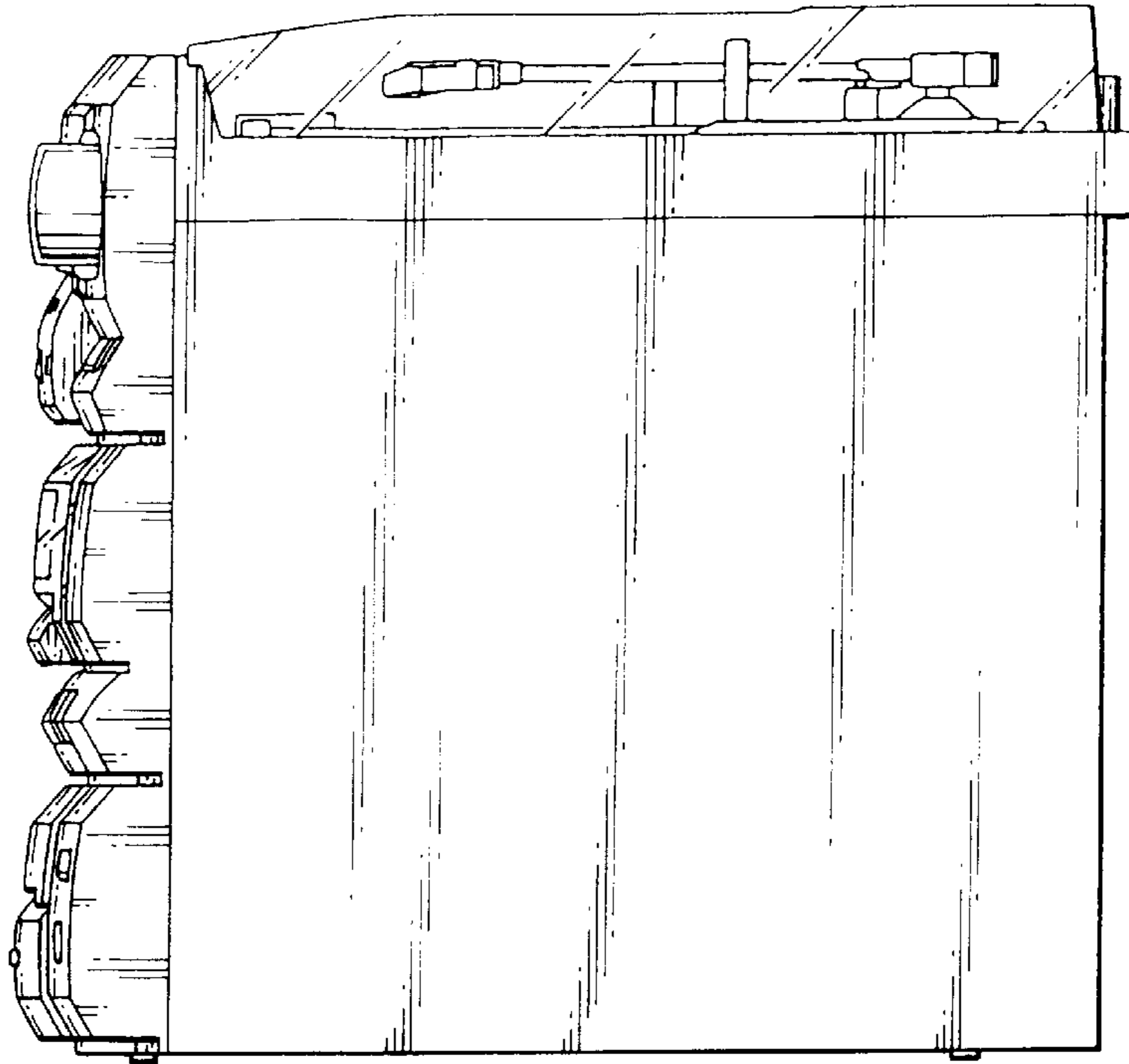


FIG. 7

