



US00D423498S

United States Patent [19]

Mori et al.

[11] Patent Number: Des. 423,498

[45] Date of Patent: ** Apr. 25, 2000

[54] **COMBINED DISC PLAYER, RADIO RECEIVER AND TAPE RECORDER**

[75] Inventors: **Akinari Mori; Ken Yano**, both of Tokyo, Japan

[73] Assignee: **Sony Corporation**, Japan

[**] Term: **14 Years**

[21] Appl. No.: **29/083,285**

[22] Filed: **Feb. 9, 1998**

[30] **Foreign Application Priority Data**

Aug. 8, 1997 [JP] Japan 9-64431

[51] **LOC (6) Cl.** **14-01**

[52] **U.S. Cl.** **D14/168**

[58] **Field of Search** D14/124, 156, D14/160-168, 188, 193-198, 204, 209-216; 181/144-145, 147, 150, 153, 157, 198-199; 381/24, 88, 90, 153, 159, 186, 188; 455/344, 350, 351

[56] **References Cited**

U.S. PATENT DOCUMENTS

- D. 310,220 8/1990 Hirose et al. D14/163
- D. 334,418 3/1993 Woo D14/165 X
- D. 384,350 9/1997 Nuevo et al. D14/168

Primary Examiner—Nanda Bondade

Attorney, Agent, or Firm—Rader, Fishman & Grauer

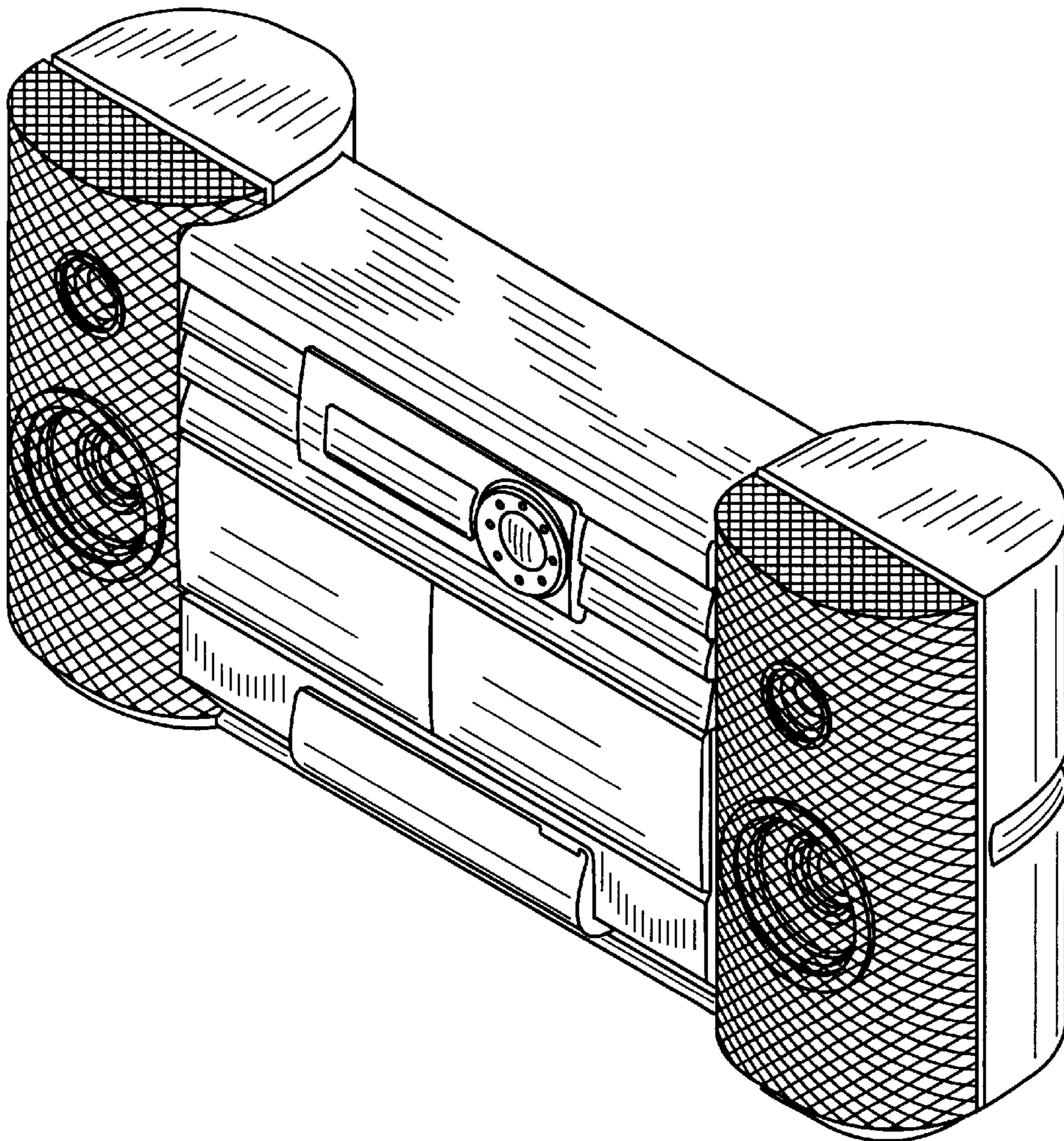
[57] **CLAIM**

The ornamental design for a combined disc player, radio receiver and tape recorder, as shown and described.

DESCRIPTION

FIG. 1 is a perspective view of a combined disc player, radio receiver and tape recorder showing our new design;
 FIG. 2 is a top plan view thereof;
 FIG. 3 is a left side elevational view thereof, a right side elevational view thereof being mirror image;
 FIG. 4 is a front elevational view thereof; and,
 FIG. 5 is a rear elevational view thereof.

1 Claim, 3 Drawing Sheets



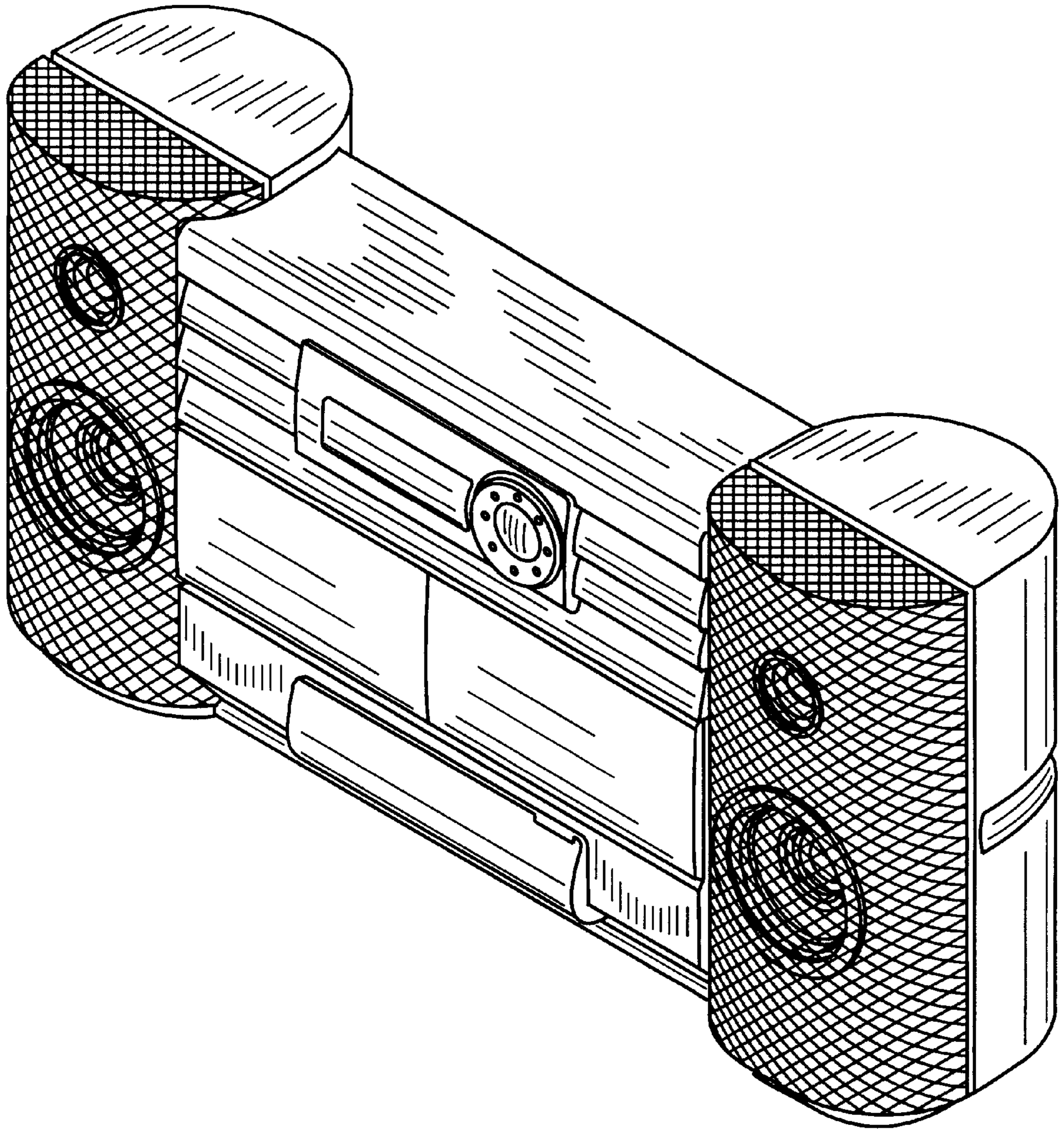


FIG. 1

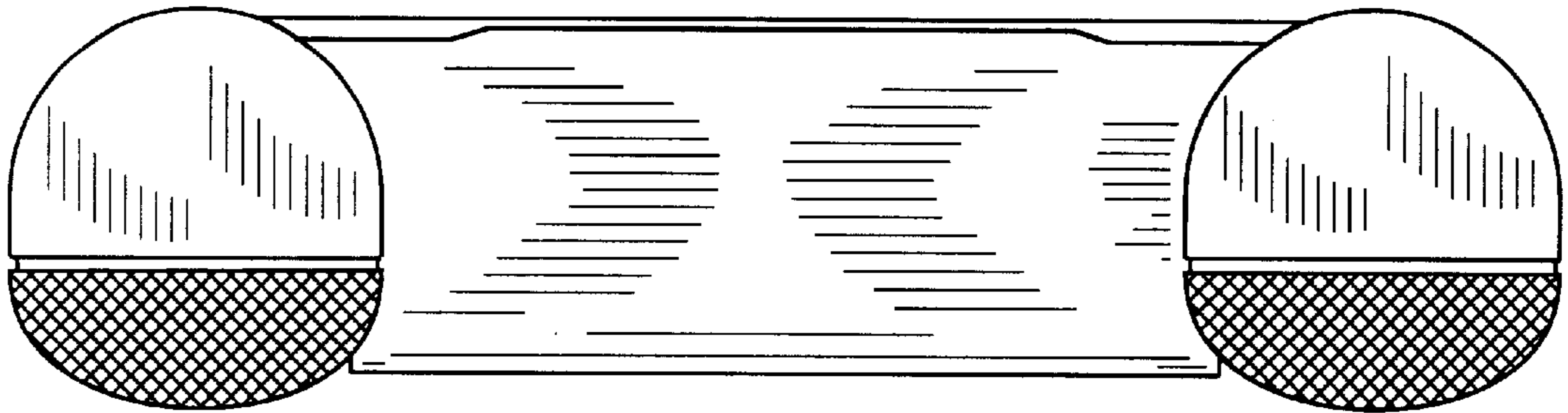


FIG. 2

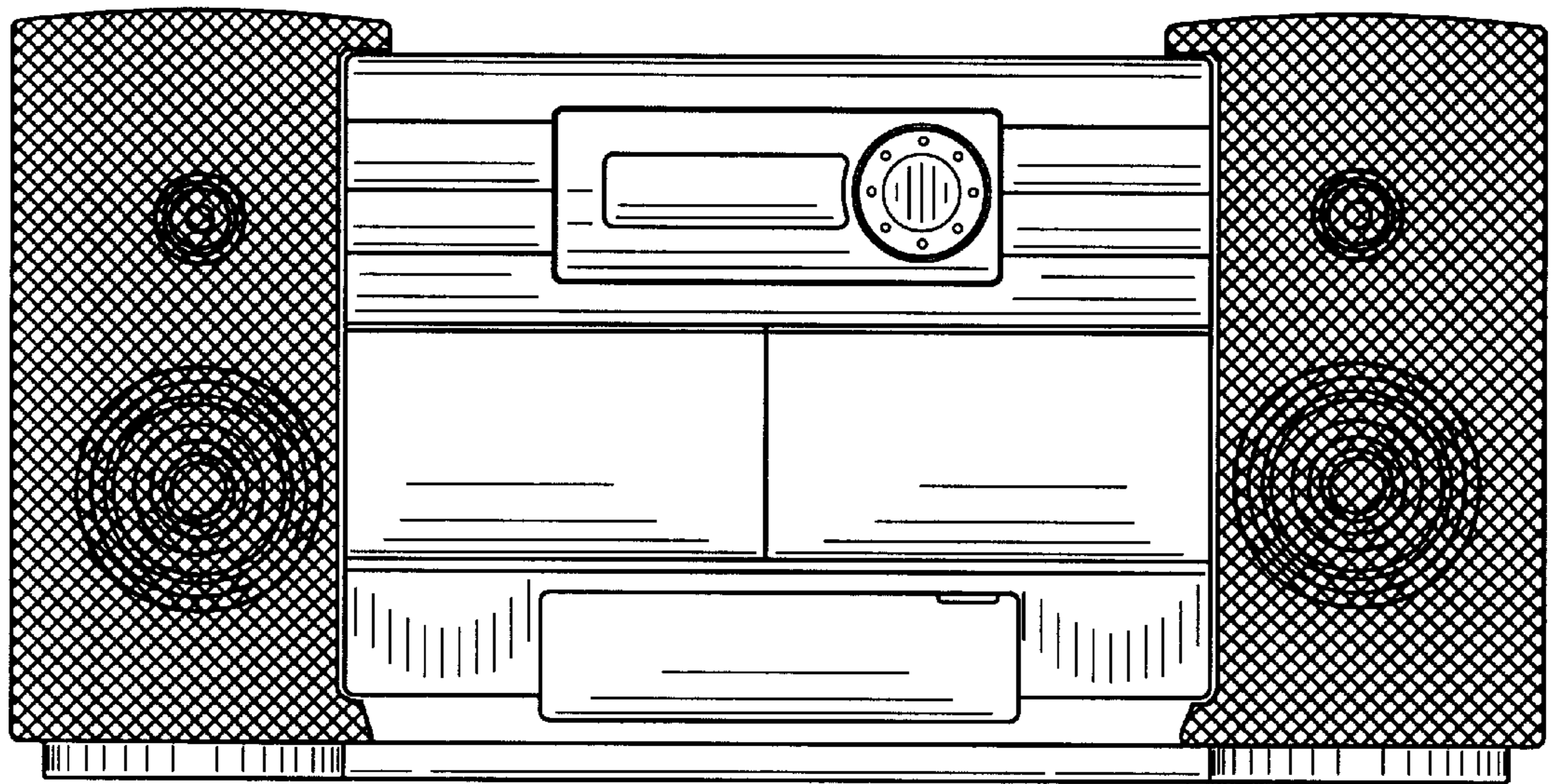


FIG. 4

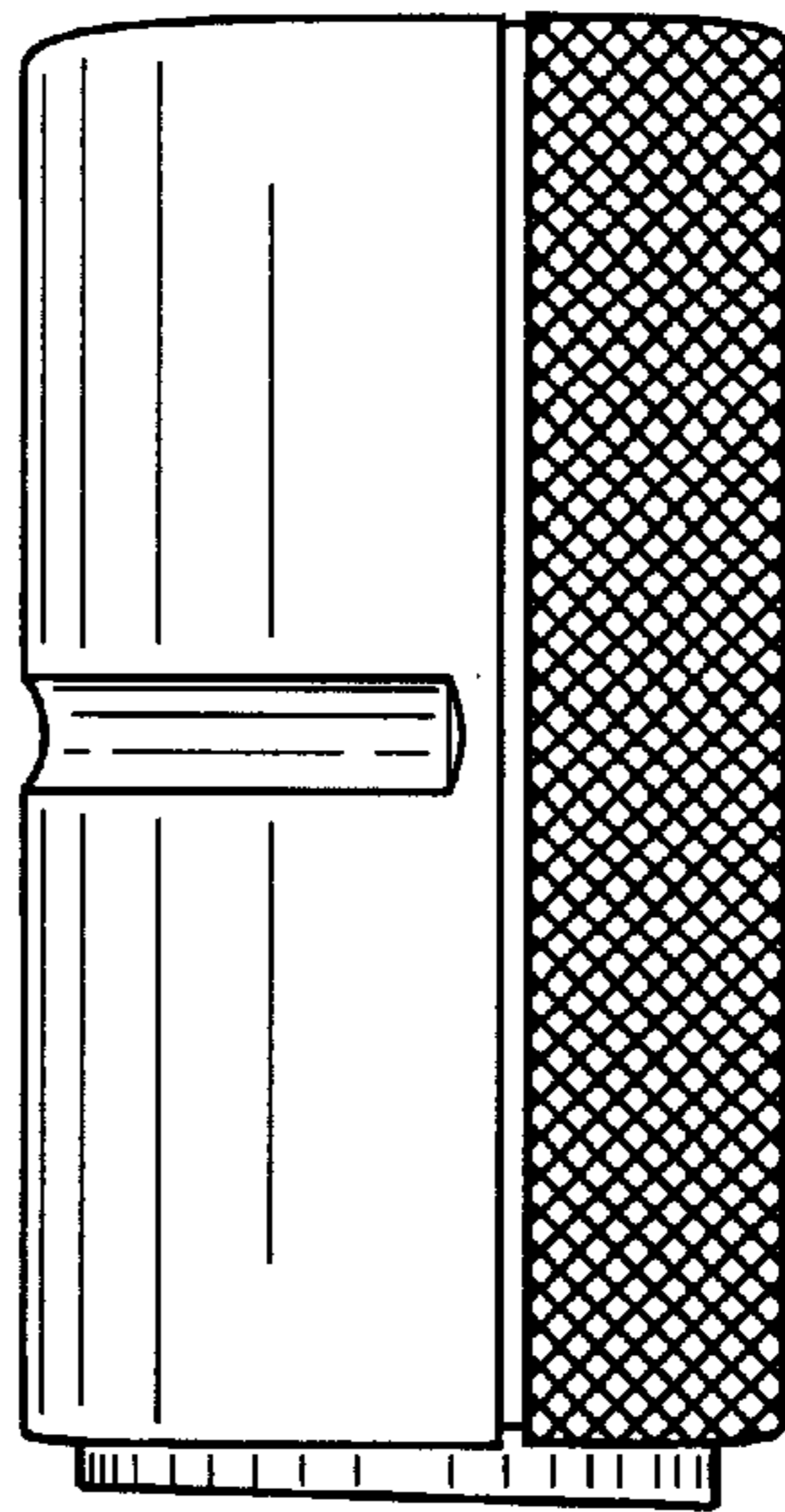


FIG. 3

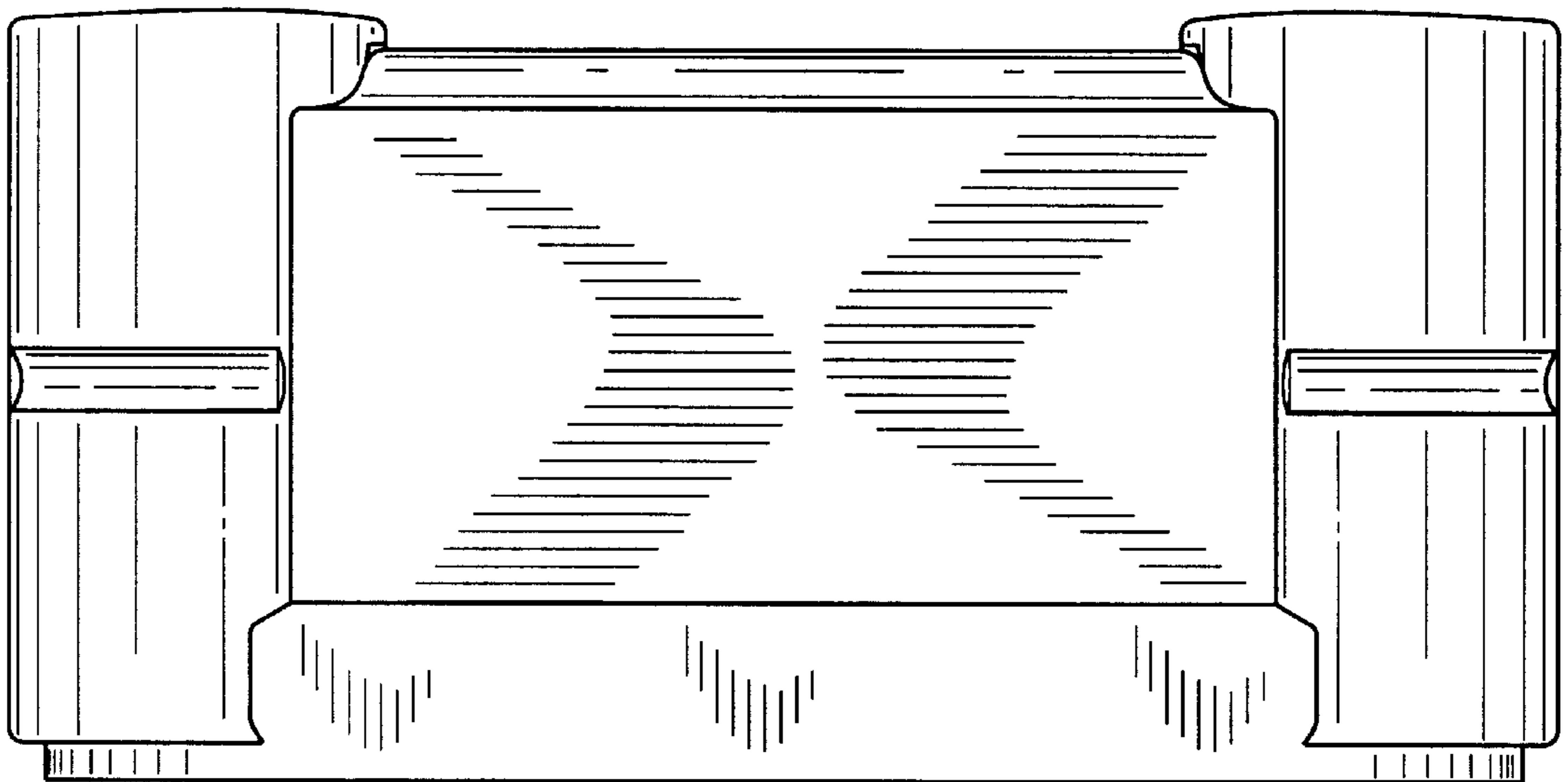


FIG. 5