



US00D423495S

# United States Patent [19] Chuang

[11] Patent Number: **Des. 423,495**

[45] Date of Patent: **\*\* Apr. 25, 2000**

[54] **PAY-PHONE**

[76] Inventor: **Tung-Wen Chuang**, No.25, Lane 169,  
Kang-Ning ST., Hsi-Chih Chen, Taipei,  
Taiwan

[\*\*] Term: **14 Years**

[21] Appl. No.: **29/102,795**

[22] Filed: **Mar. 31, 1999**

[51] **LOC (6) Cl.** ..... **14-03**

[52] **U.S. Cl.** ..... **D14/146**

[58] **Field of Search** ..... D14/140, 142,  
D14/146, 130, 150, 151, 240; 379/419,  
420, 428, 440, 434-436, 453, 368, 143-155

[56] **References Cited**

**U.S. PATENT DOCUMENTS**

D. 300,135	3/1989	Alvarez et al.	.....	D14/146
D. 302,273	7/1989	Adachi et al.	.....	D14/146
D. 315,485	3/1991	Schremmer et al.	.....	D14/146
D. 319,827	9/1991	Ibanez Palmeque et al.	.....	D14/146
D. 342,251	12/1993	Hird et al.	.....	D14/146
D. 375,307	11/1996	Lamora	.....	D14/146

D. 388,083	12/1997	Chung	.....	D14/146
D. 410,235	5/1999	Su	.....	D14/146
5,471,529	11/1995	Hsu	.....	379/453 X
5,483,583	1/1996	Chen	.....	379/146
5,907,606	5/1999	Ingalsbe et al.	.....	379/146

*Primary Examiner*—Jeffrey Asch  
*Attorney, Agent, or Firm*—Pro-Tehtor International  
Services

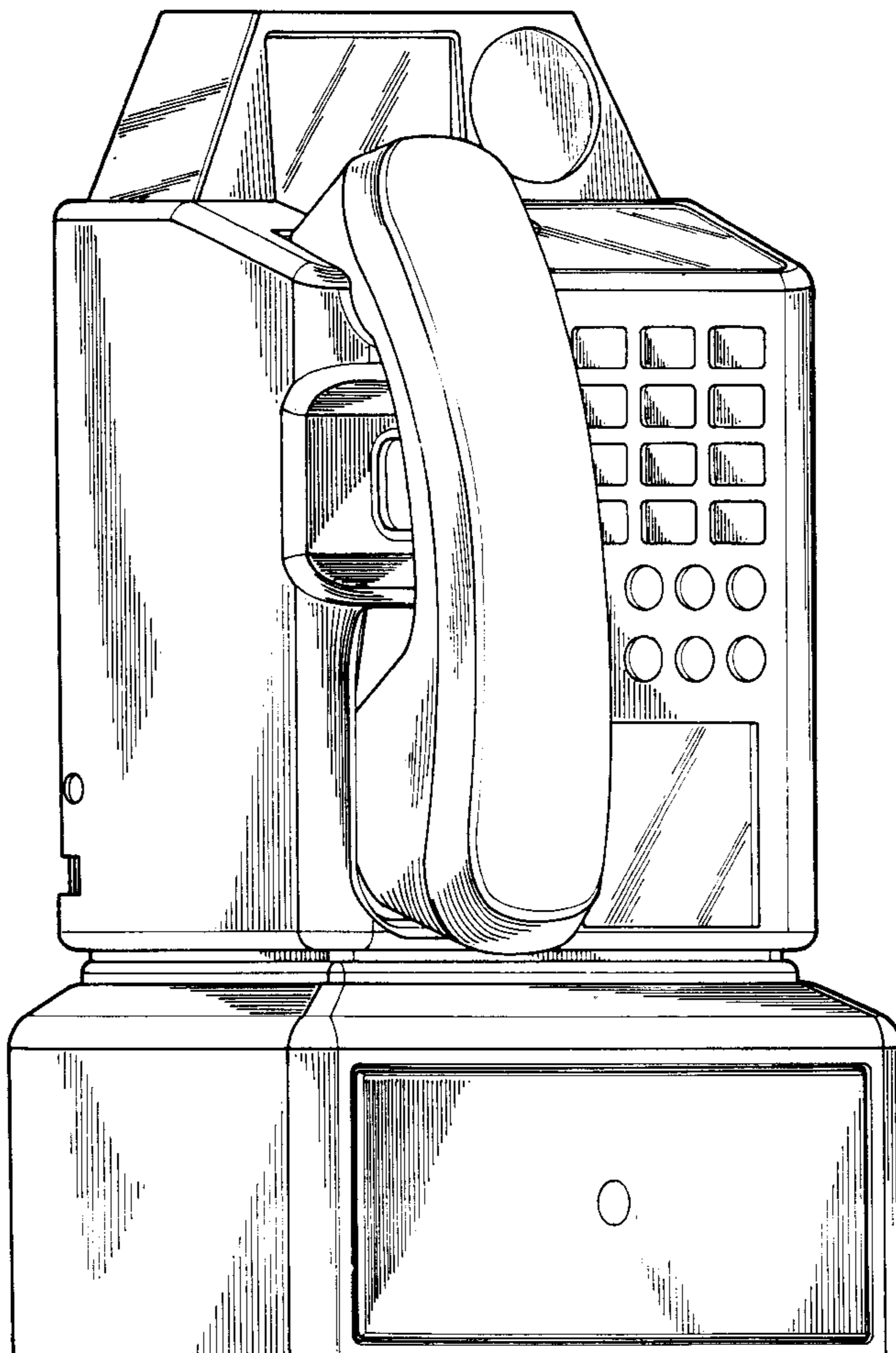
[57] **CLAIM**

The ornamental design for a pay-phone, shown and described.

**DESCRIPTION**

FIG. 1 is the perspective view of a pay-phone showing my new design;  
FIG. 2 is the front elevation view thereof;  
FIG. 3 is the rear elevation view thereof;  
FIG. 4 is the left side view thereof;  
FIG. 5 is the right side view thereof;  
FIG. 6 is the top plan view thereof; and,  
FIG. 7 is the bottom plan view thereof.

**1 Claim, 6 Drawing Sheets**



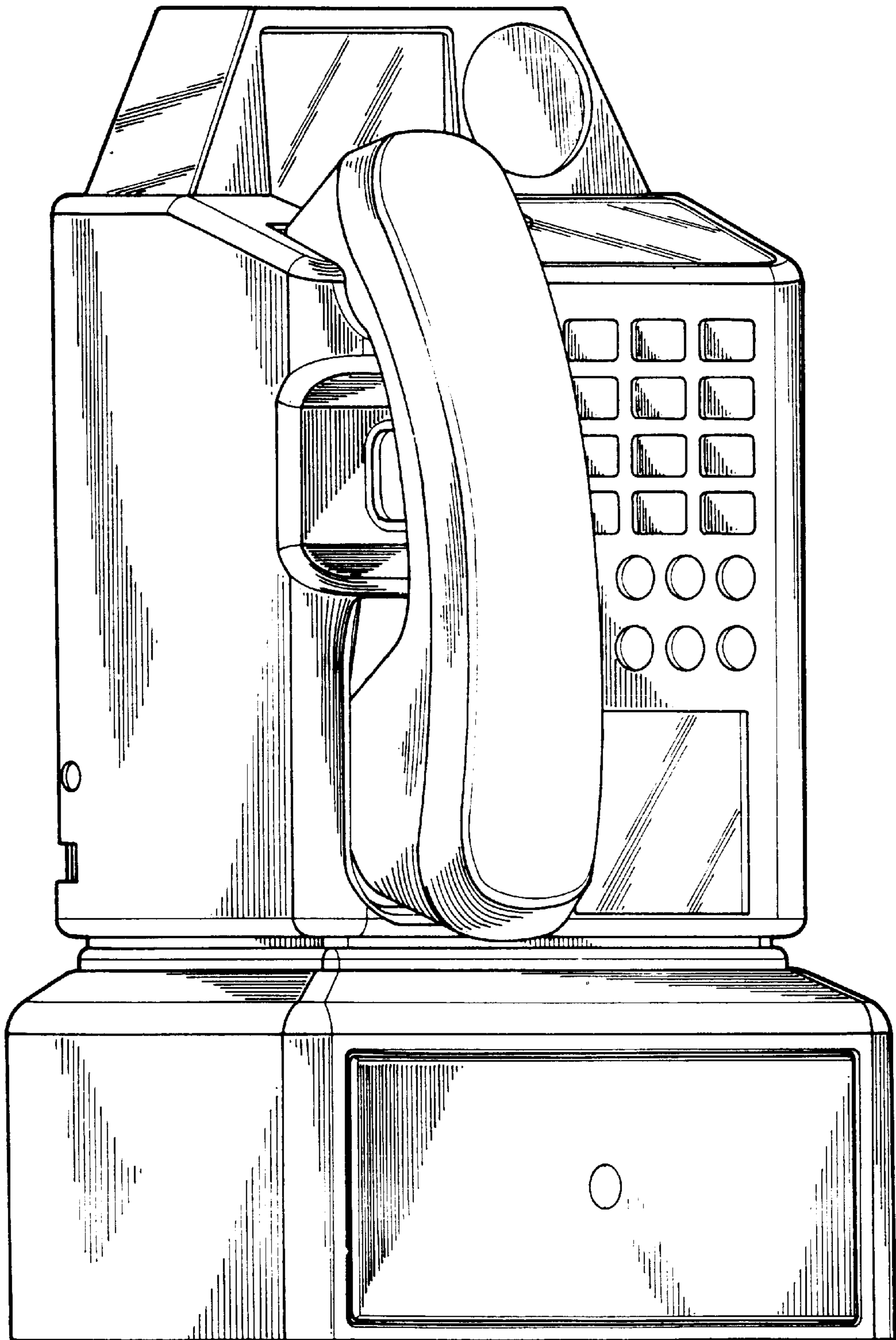


Fig. 1

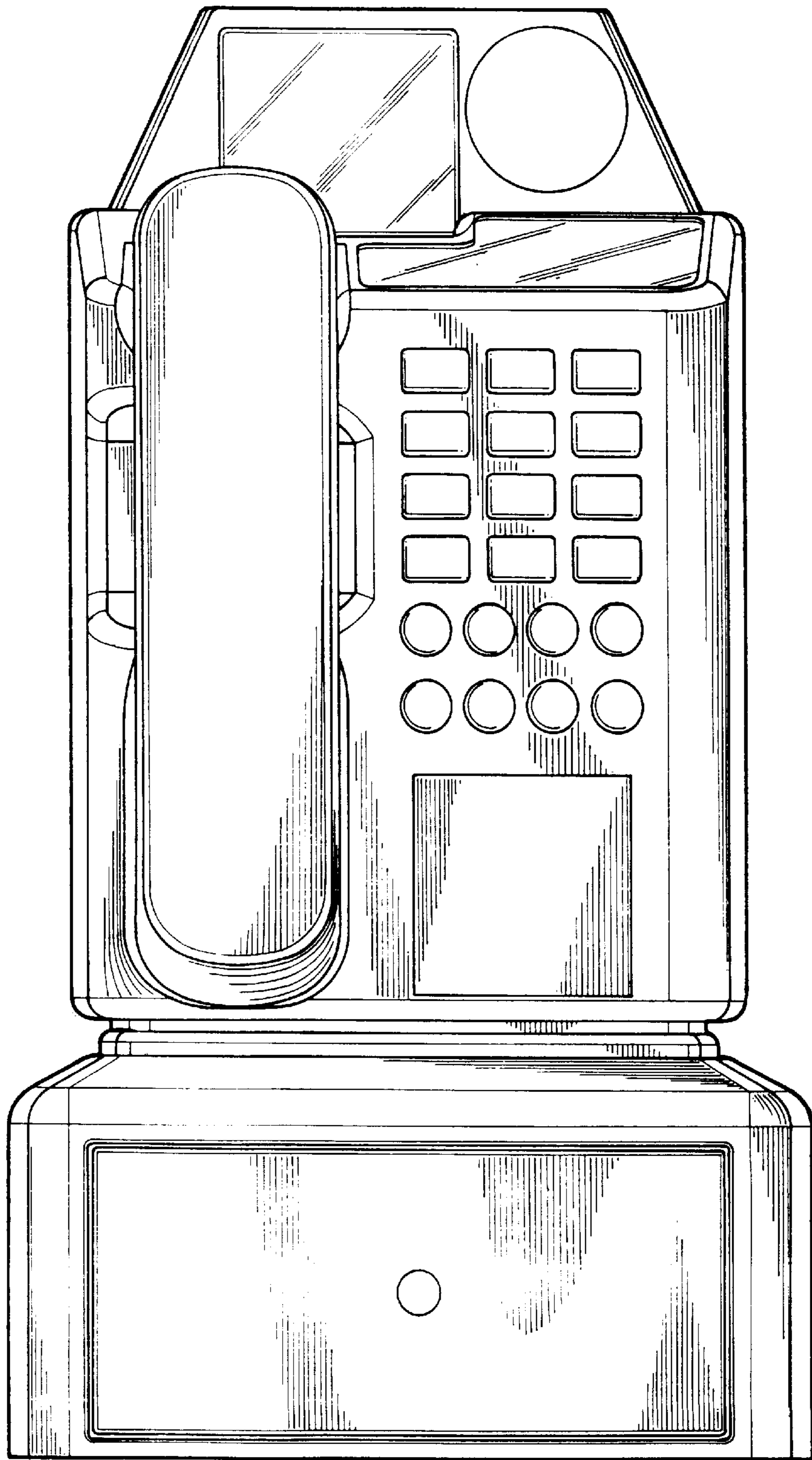


Fig. 2

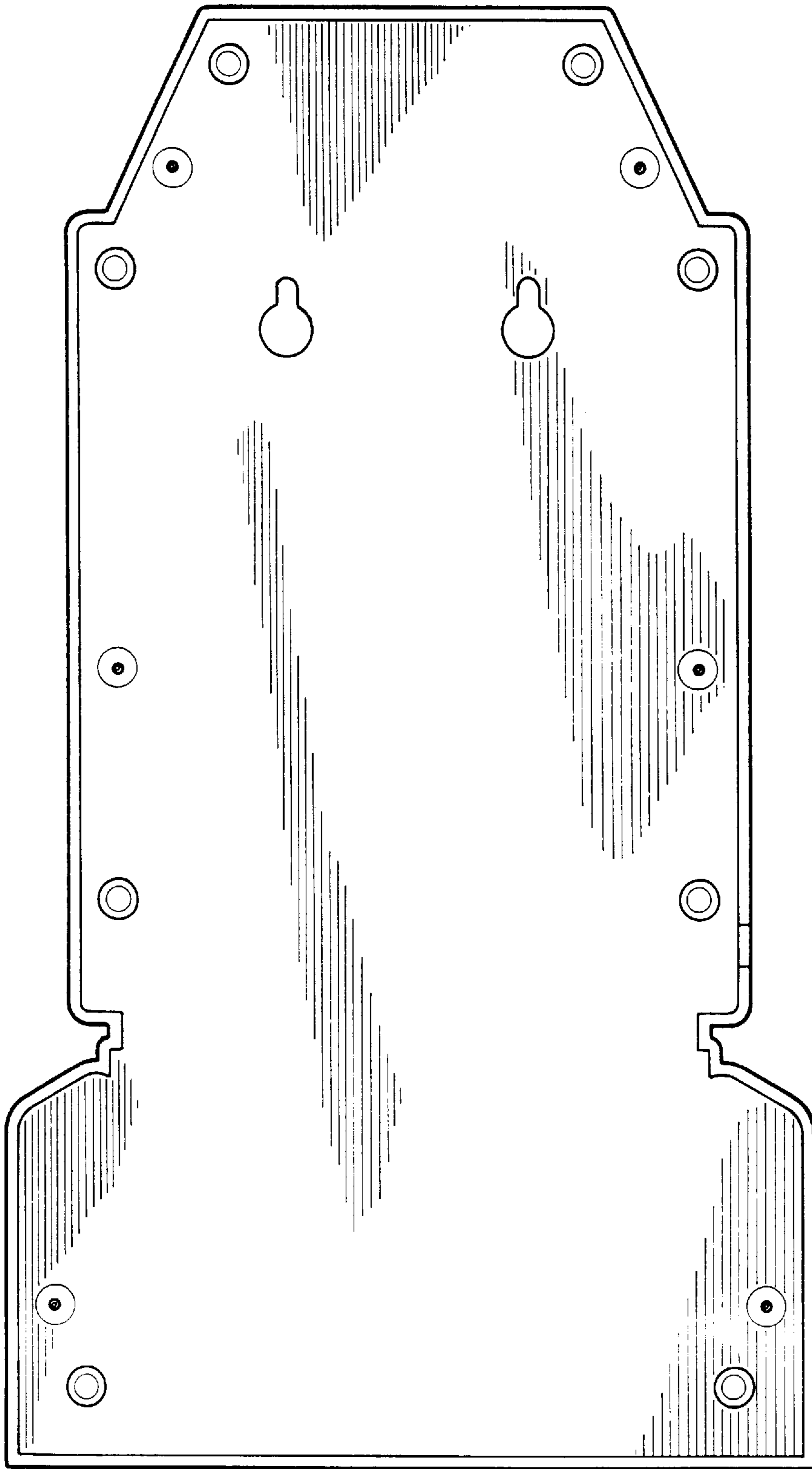


Fig. 3

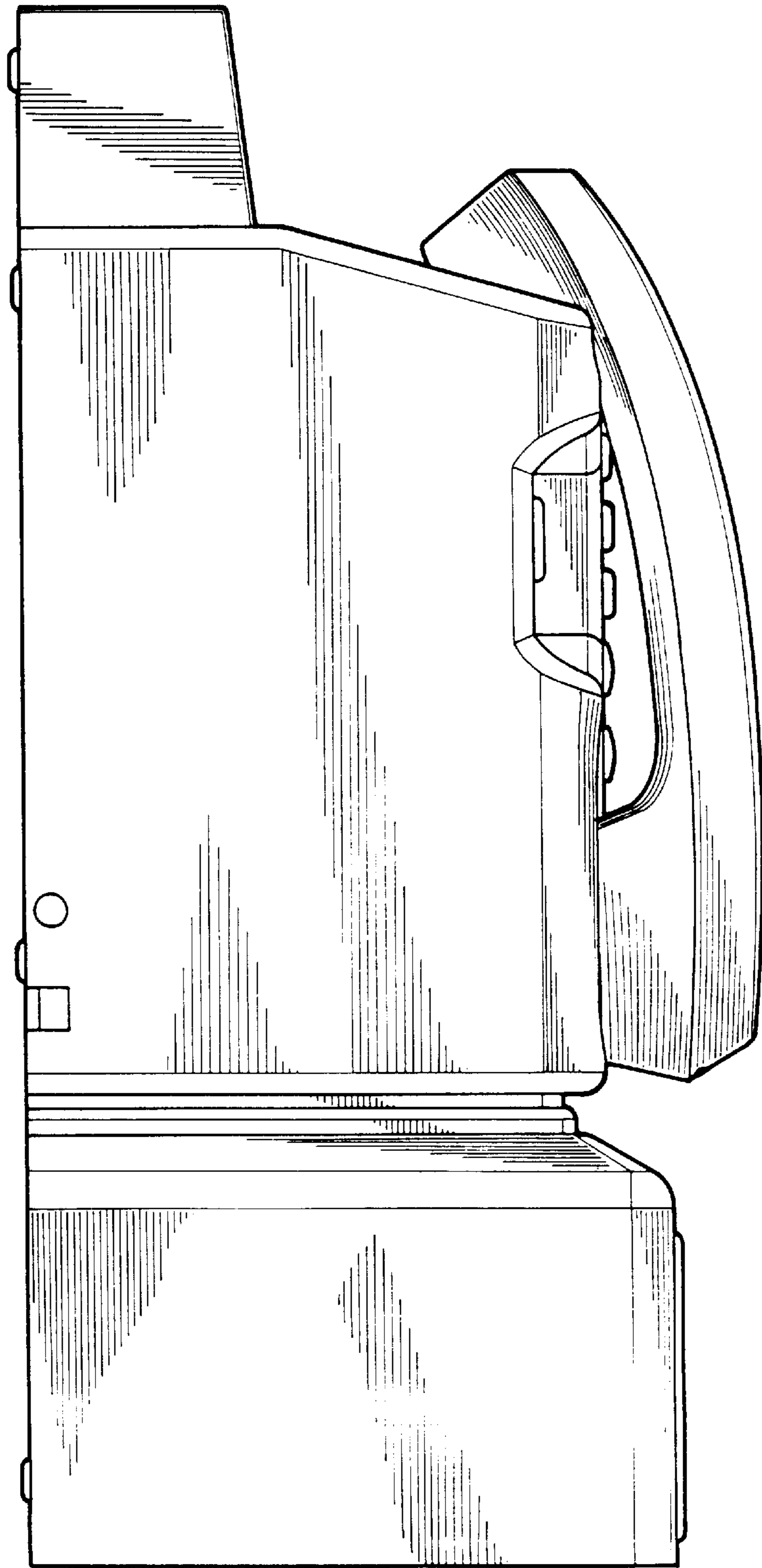


Fig. 4

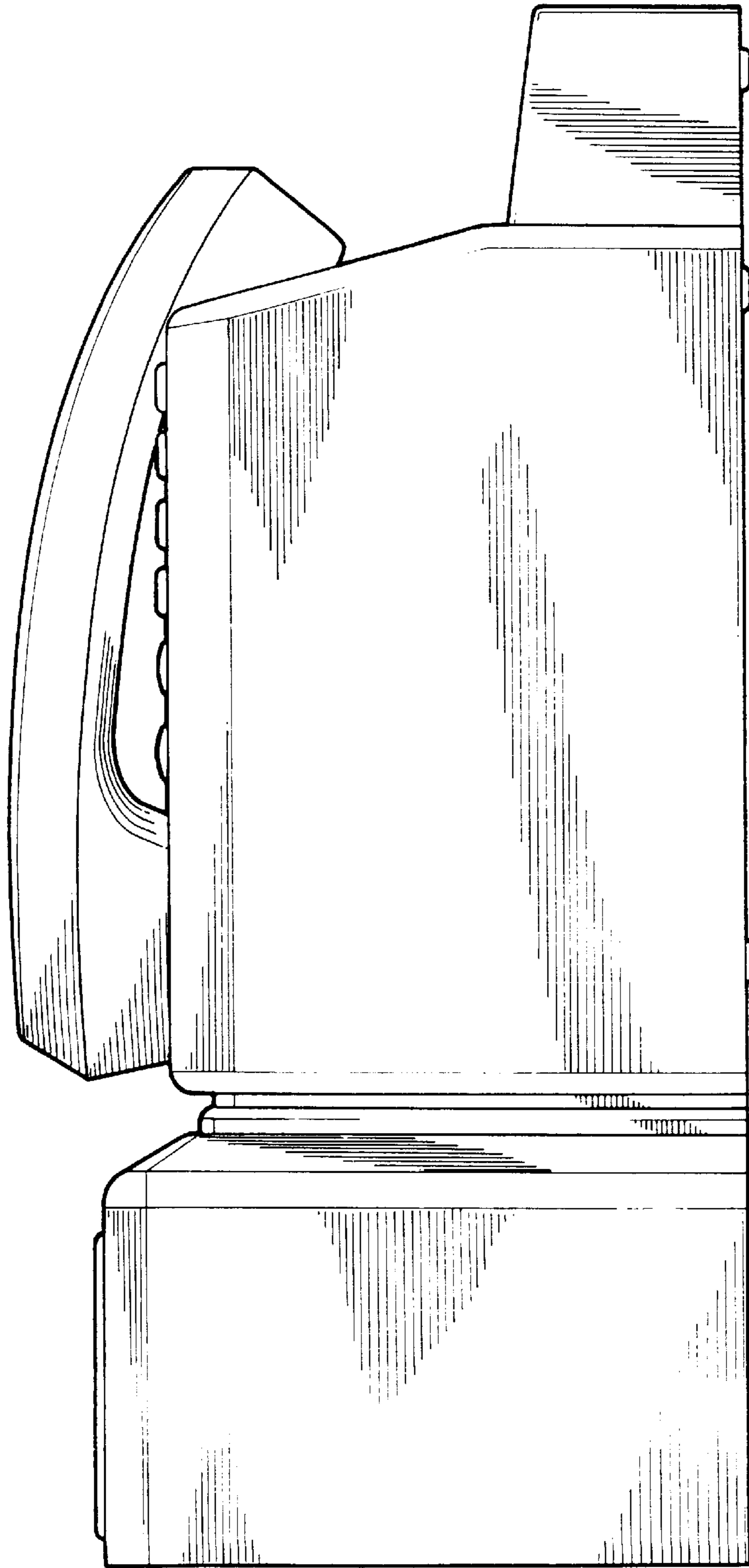


Fig. 5

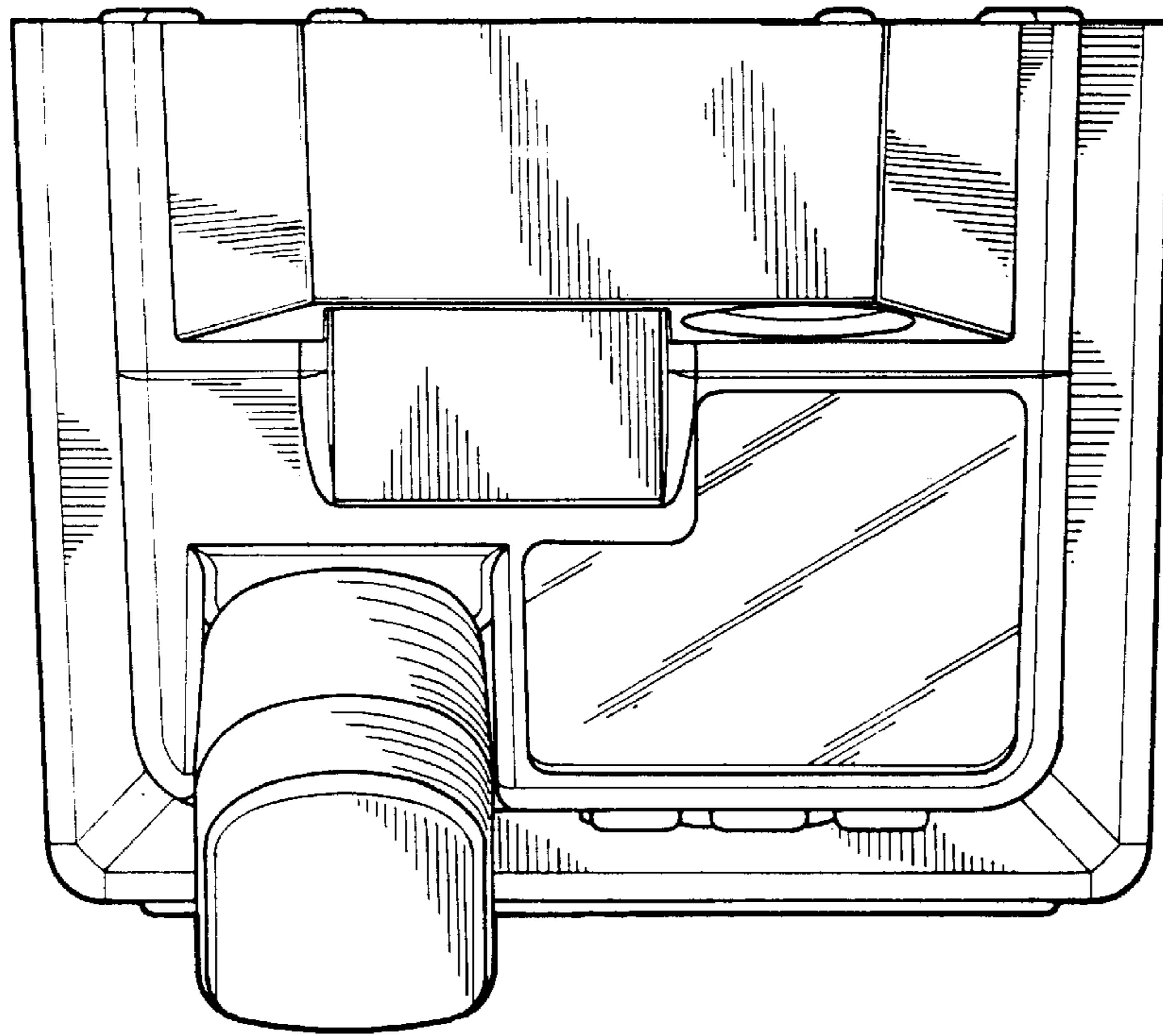


Fig. 6

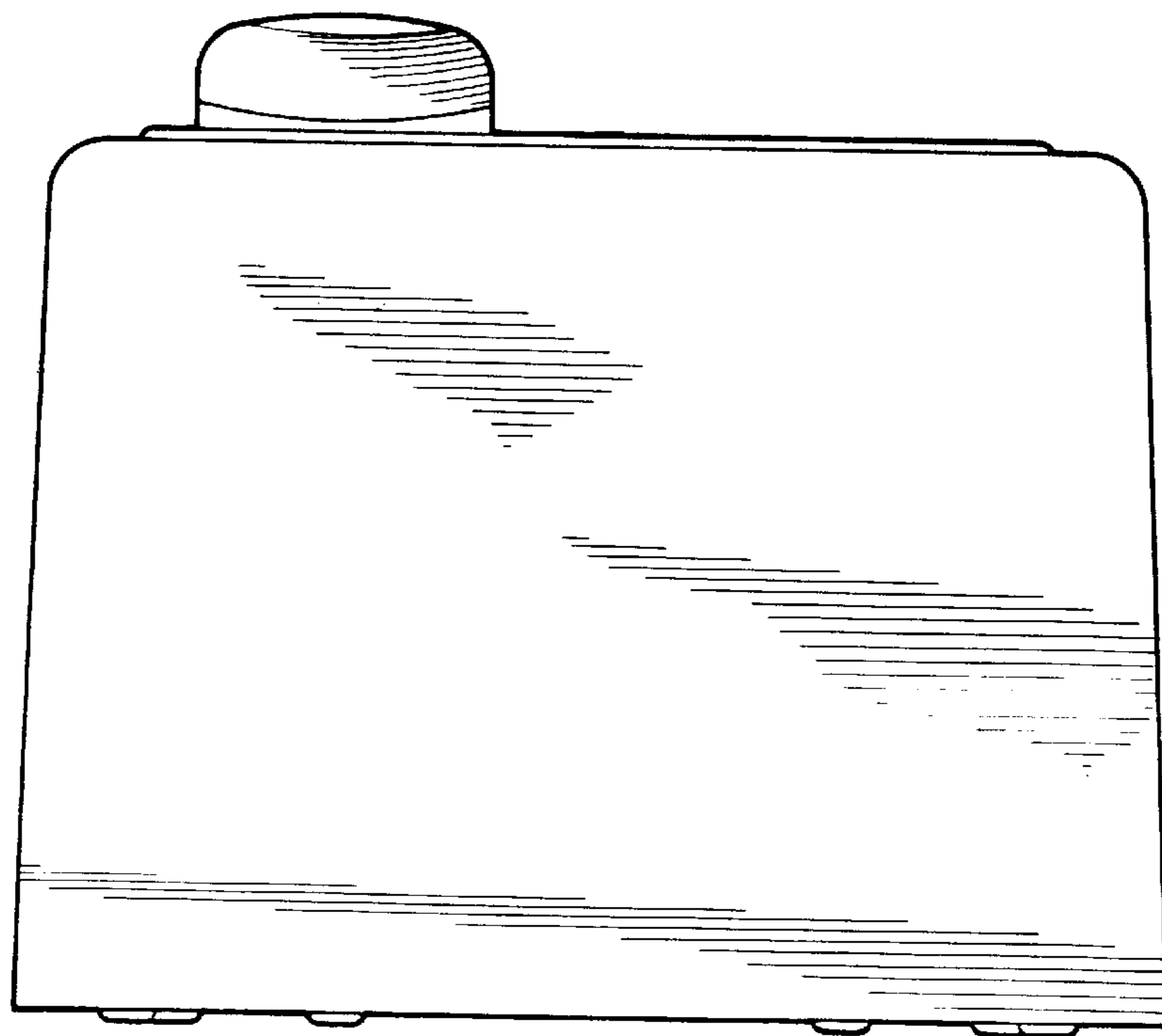


Fig. 7