



US00D423494S

**United States Patent** [19]  
**Waldner**

[11] **Patent Number: Des. 423,494**  
[45] **Date of Patent: \*\* Apr. 25, 2000**

[54] **MOBILE TELEPHONE**

**DESCRIPTION**

[75] Inventor: **Thomas W. Waldner**, Malmö, Sweden

[73] Assignee: **Telefonaktiebolaget LM Ericsson**,  
Stockholm, Sweden

[\*\*] Term: **14 Years**

[21] Appl. No.: **29/105,617**

[22] Filed: **May 26, 1999**

[30] **Foreign Application Priority Data**

Nov. 26, 1998 [SE] Sweden ..... 98-2329  
Nov. 26, 1998 [SE] Sweden ..... 98-2330

[51] **LOC (6) Cl.** ..... **14-03**

[52] **U.S. Cl.** ..... **D14/138**

[58] **Field of Search** ..... D14/137, 138,  
D14/147-148, 247-248, 250, 240, 140-142;  
379/433, 434, 419, 420, 428, 440; 455/550-575,  
90

[56] **References Cited**

**U.S. PATENT DOCUMENTS**

D. 337,763 7/1993 Seki et al. .... D14/138  
D. 365,818 1/1996 Irie et al. .... D14/138

(List continued on next page.)

**OTHER PUBLICATIONS**

Japanese language advertisement showing Fujitsu D311II,  
Jan. 16, 1998.

(List continued on next page.)

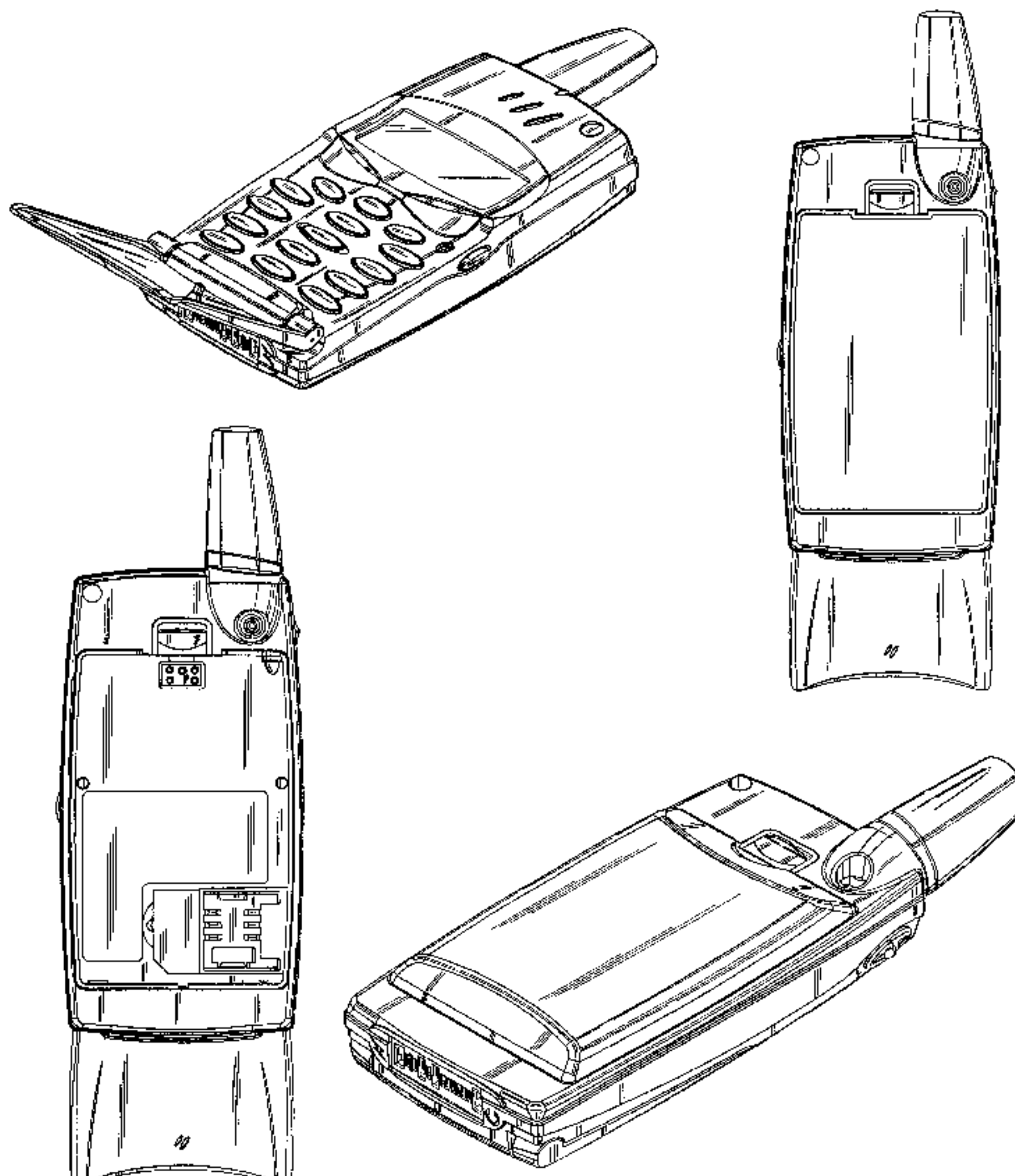
*Primary Examiner*—Jeffrey Asch  
*Attorney, Agent, or Firm*—Burns, Doane, Swecker &  
Mathis, L.L.P.

[57] **CLAIM**

The ornamental design for a mobile telephone, as shown and  
described.

FIG. 1 is a left, front perspective view of a mobile telephone,  
in a closed position and without a battery attached, showing  
my new design;  
FIG. 2 is a right, front perspective view thereof, in an open  
position;  
FIG. 3 is a front elevational view thereof;  
FIG. 4 is a right side elevational view thereof;  
FIG. 5 is a bottom view thereof;  
FIG. 6 is a rear elevational view thereof;  
FIG. 7 is a left side elevational view thereof;  
FIG. 8 is a top view thereof;  
FIG. 9 is a left, front perspective view of a further embodi-  
ment of a mobile telephone, in a closed position and with a  
battery attached, showing my new design;  
FIG. 10 is a right, front perspective view thereof in an open  
position;  
FIG. 11 is a front elevational view thereof;  
FIG. 12 is a right side elevational view thereof;  
FIG. 13 is a bottom view thereof;  
FIG. 14 is a rear elevational view thereof;  
FIG. 15 is a left side elevational view thereof;  
FIG. 16 is a top view thereof;  
FIG. 17 is a right, rear perspective view thereof, in a closed  
position;  
FIG. 18 is a right, rear perspective view thereof, in an open  
position;  
FIG. 19 is a right, front perspective view of a further  
embodiment of a mobile telephone, in an open position and  
with a battery attached, showing my new design;  
FIG. 20 is a front elevational view thereof;  
FIG. 21 is a right side elevational view thereof;  
FIG. 22 is a bottom view thereof;  
FIG. 23 is a rear elevational view thereof;  
FIG. 24 is a left side elevational view thereof;  
FIG. 25 is a top view thereof;  
FIG. 26 is a left, rear perspective view thereof; and,  
FIG. 27 is a left, rear perspective view thereof, in a closed  
position.

**1 Claim, 15 Drawing Sheets**



# Des. 423,494

Page 2

---

## U.S. PATENT DOCUMENTS

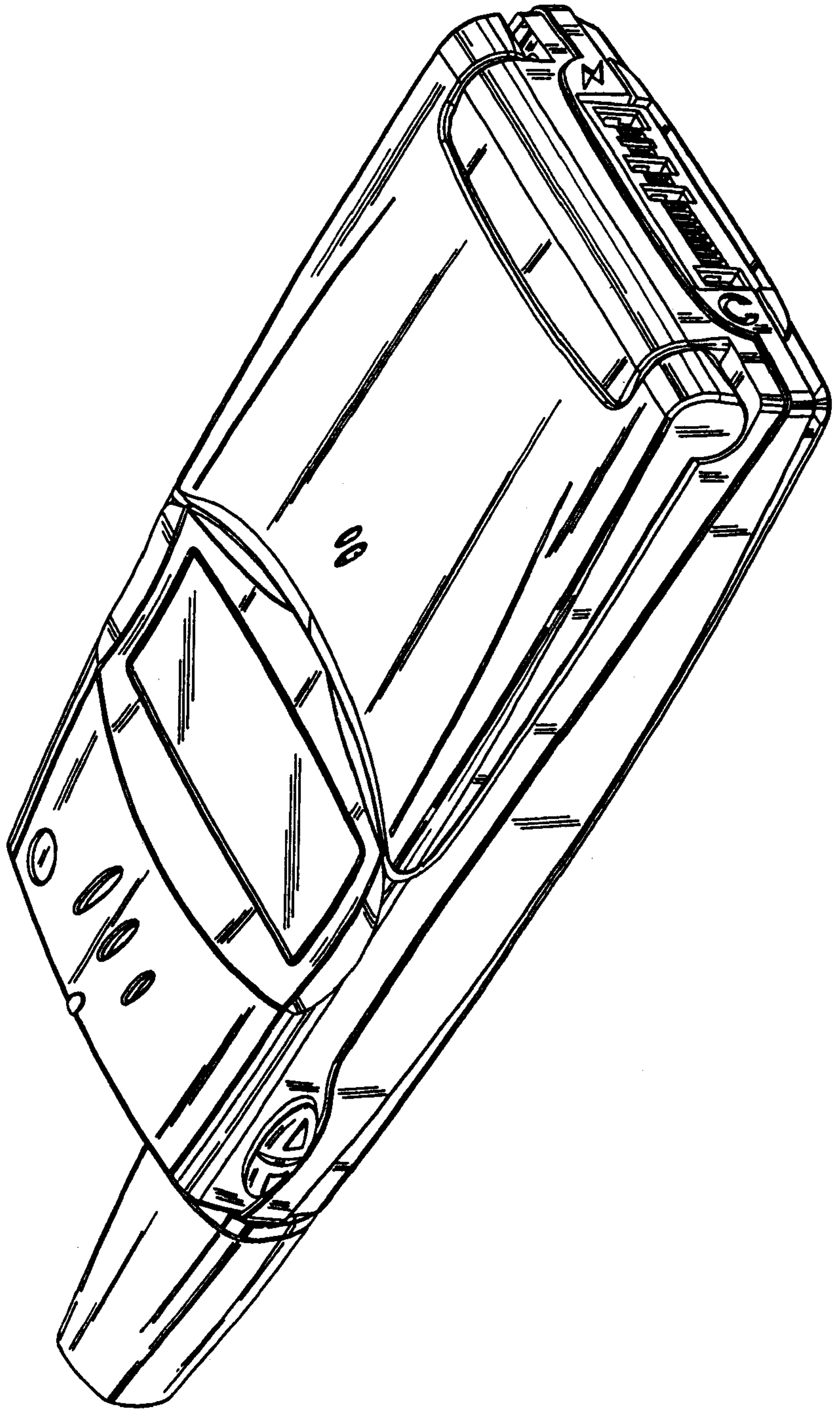
D. 365,819 1/1996 Sawaguchi ..... D14/138  
D. 388,428 12/1997 Lindahl et al. .... D14/138  
D. 392,286 3/1998 Eckholm ..... D14/138  
D. 407,718 4/1999 Lee ..... D14/138  
D. 413,325 8/1999 Lee ..... D14/138  
D. 415,151 10/1999 Kim ..... D14/138  
5,357,570 10/1994 Tomura et al. .... 379/433

5,732,135 3/1998 Weadon et al. .... 379/433  
5,915,015 6/1999 Thornton ..... 379/433

## OTHER PUBLICATIONS

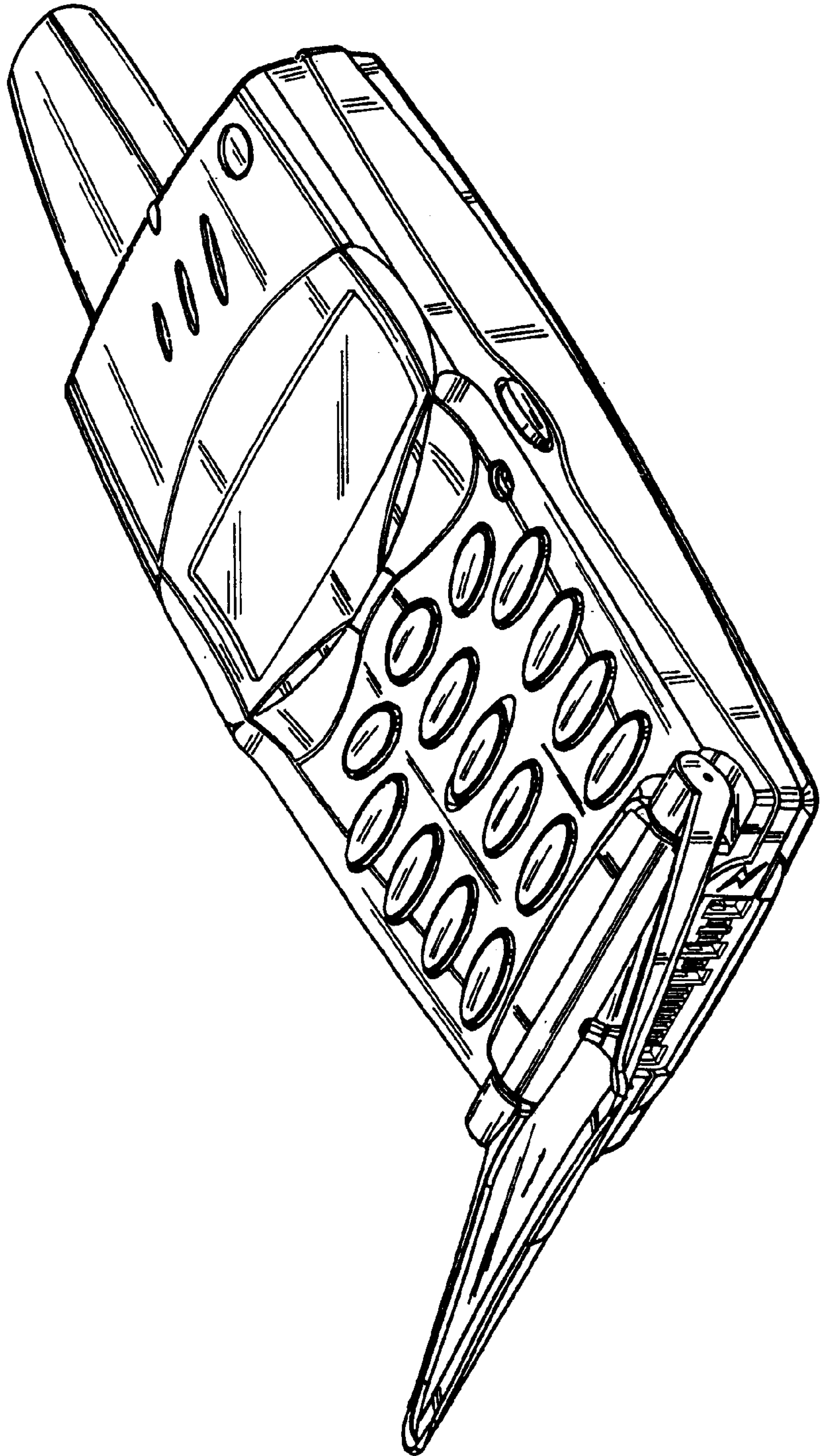
Mobile Computing and Communications, p. 44, Ericsson  
PCS-1900 telephone, Jun. 1997.  
Mobile Computing and Communications, Reader Service  
#40, Samsung telephone, Dec. 1997.

**FIG. 1**

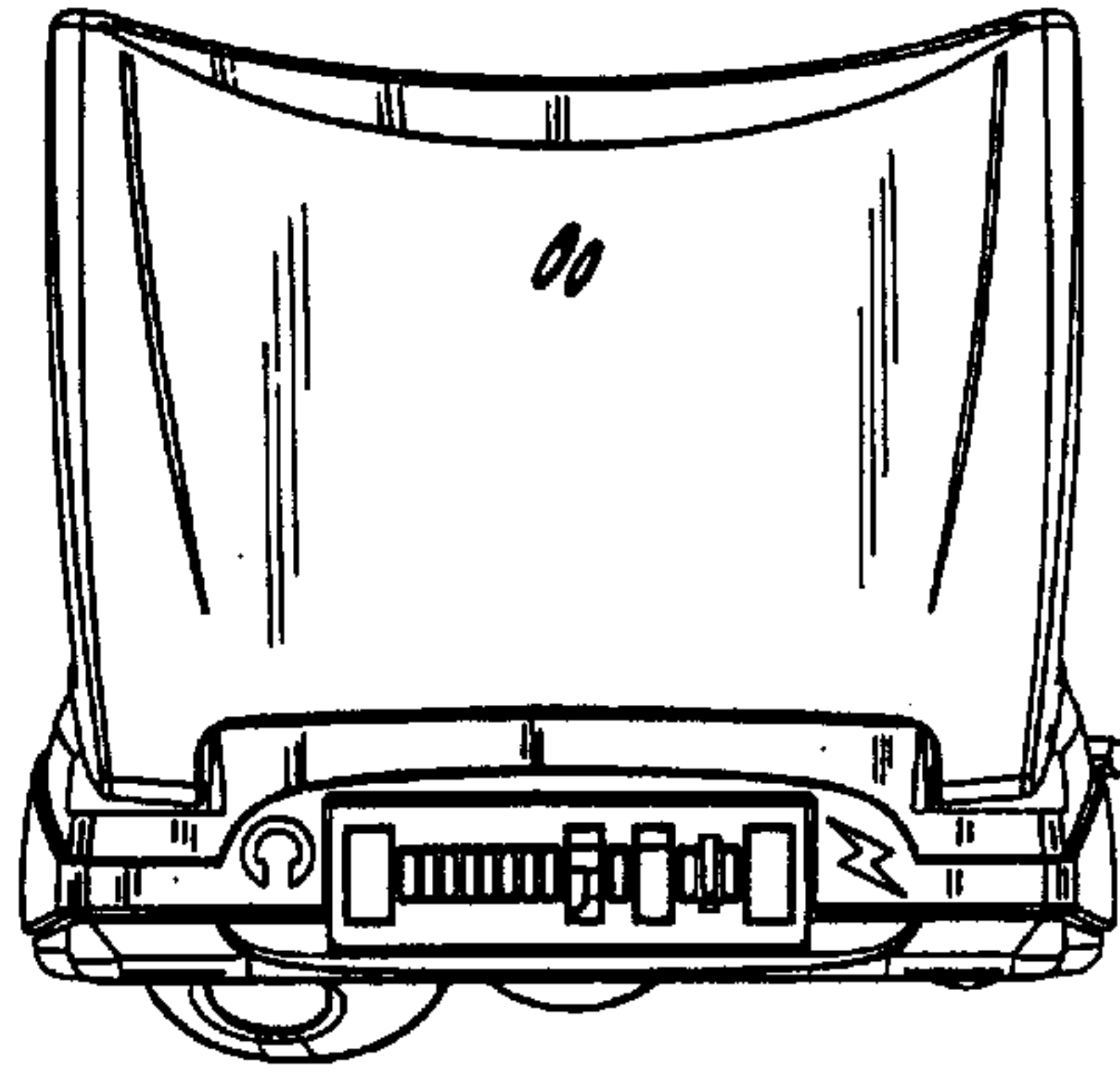




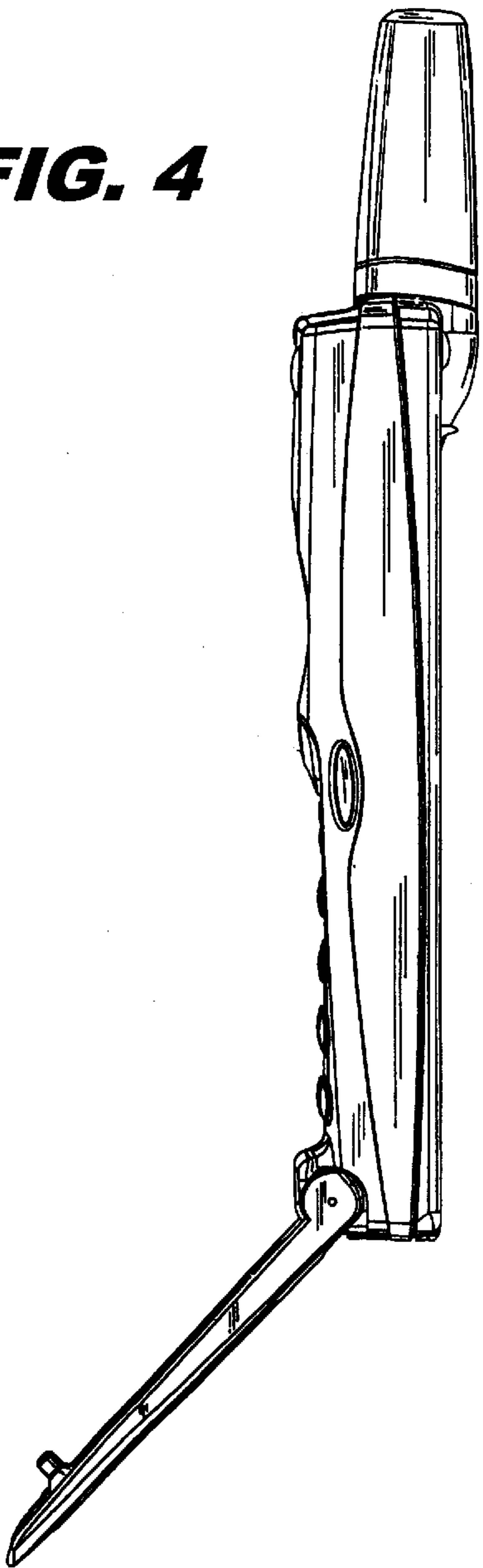
**FIG. 2**



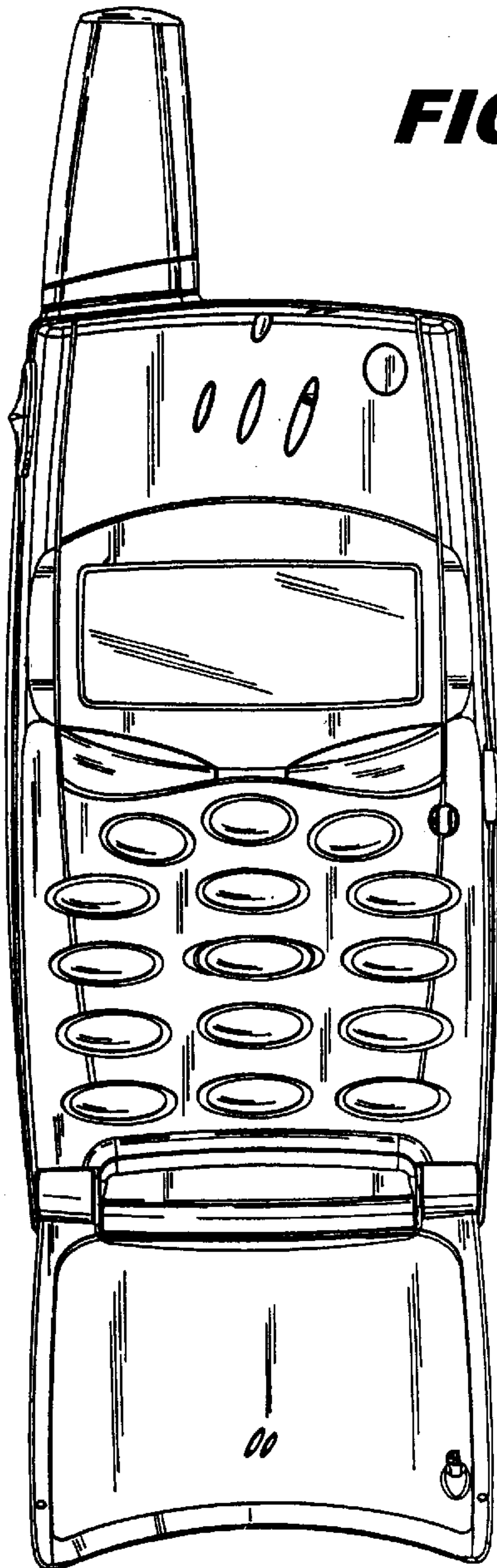
**FIG. 5**



**FIG. 4**



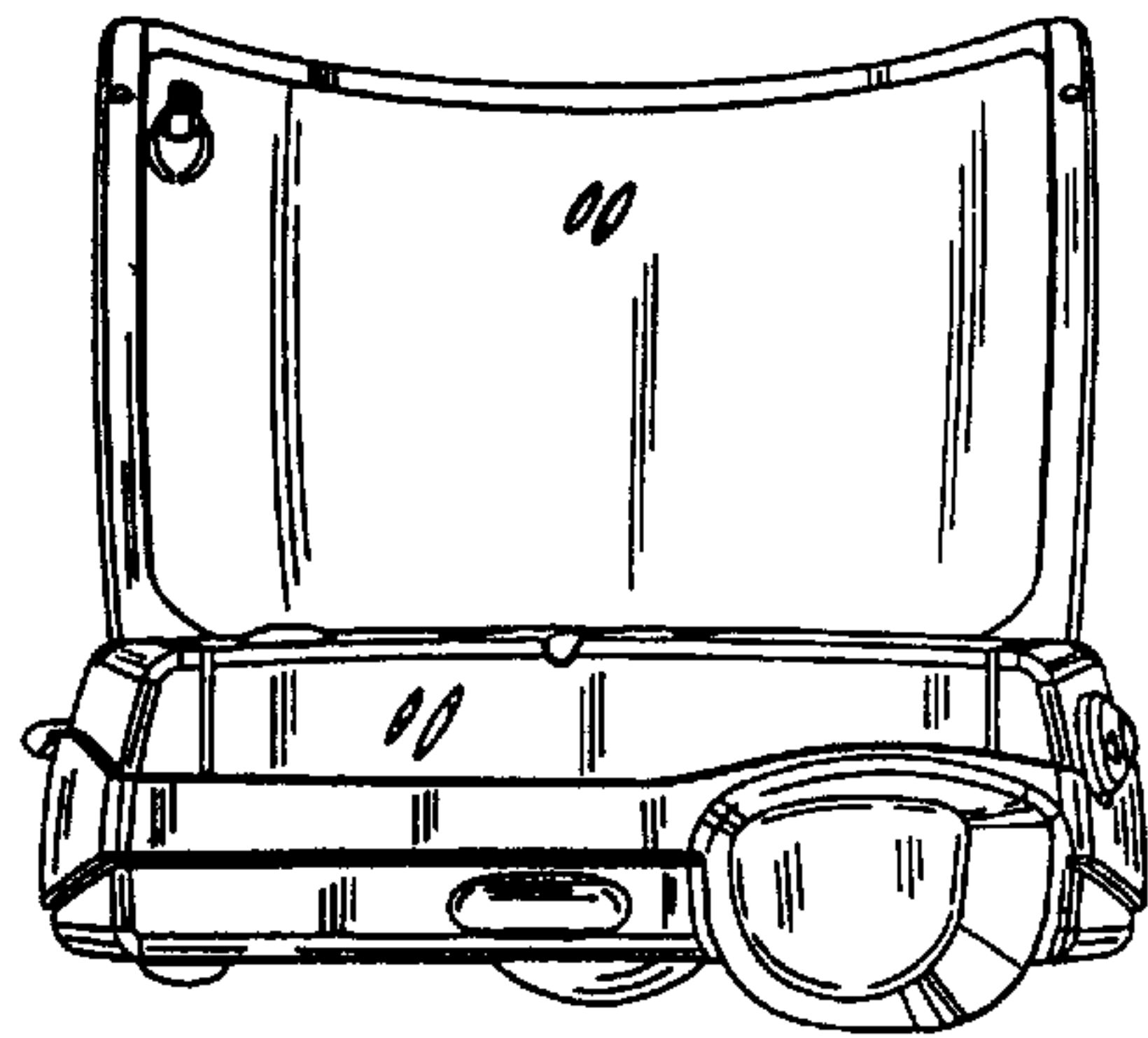
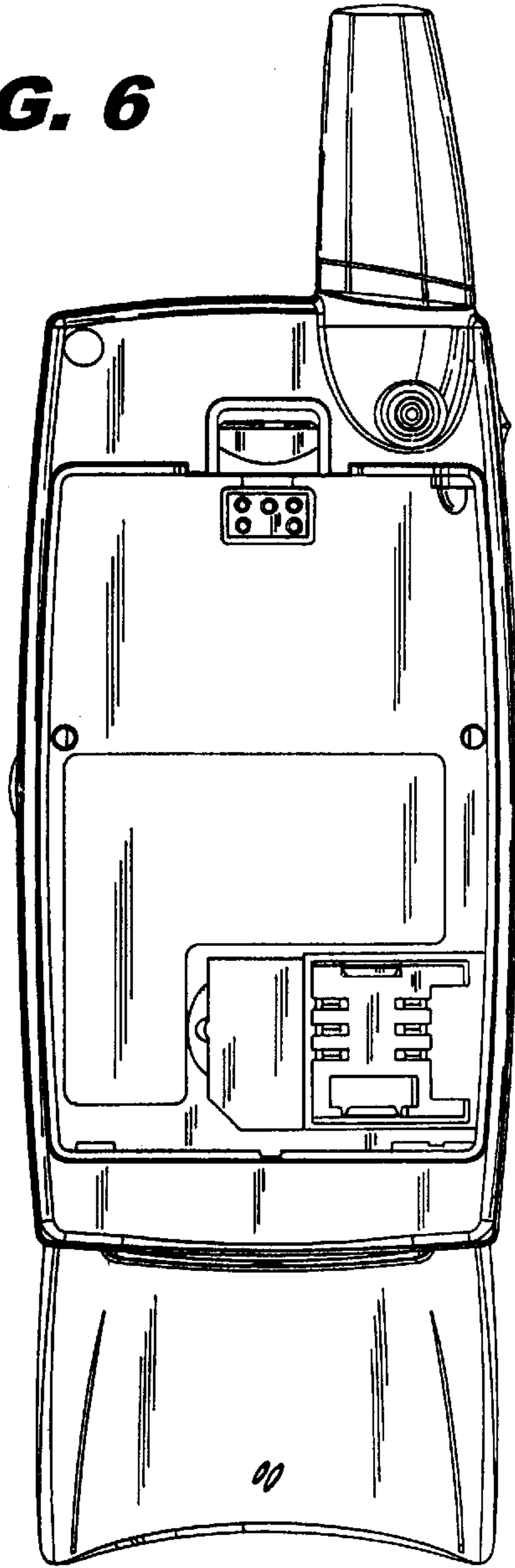
**FIG. 3**





**FIG. 7**

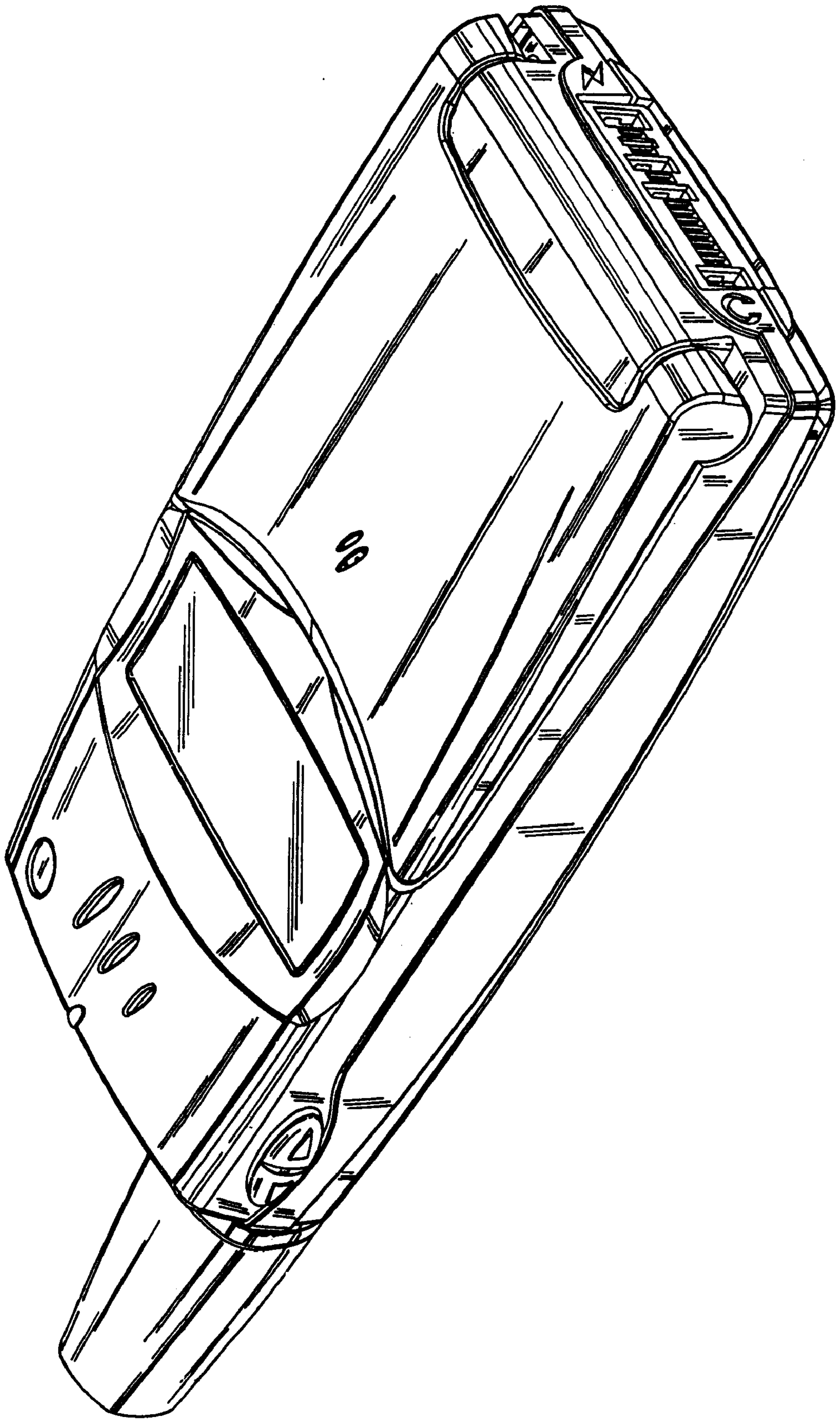
**FIG. 6**

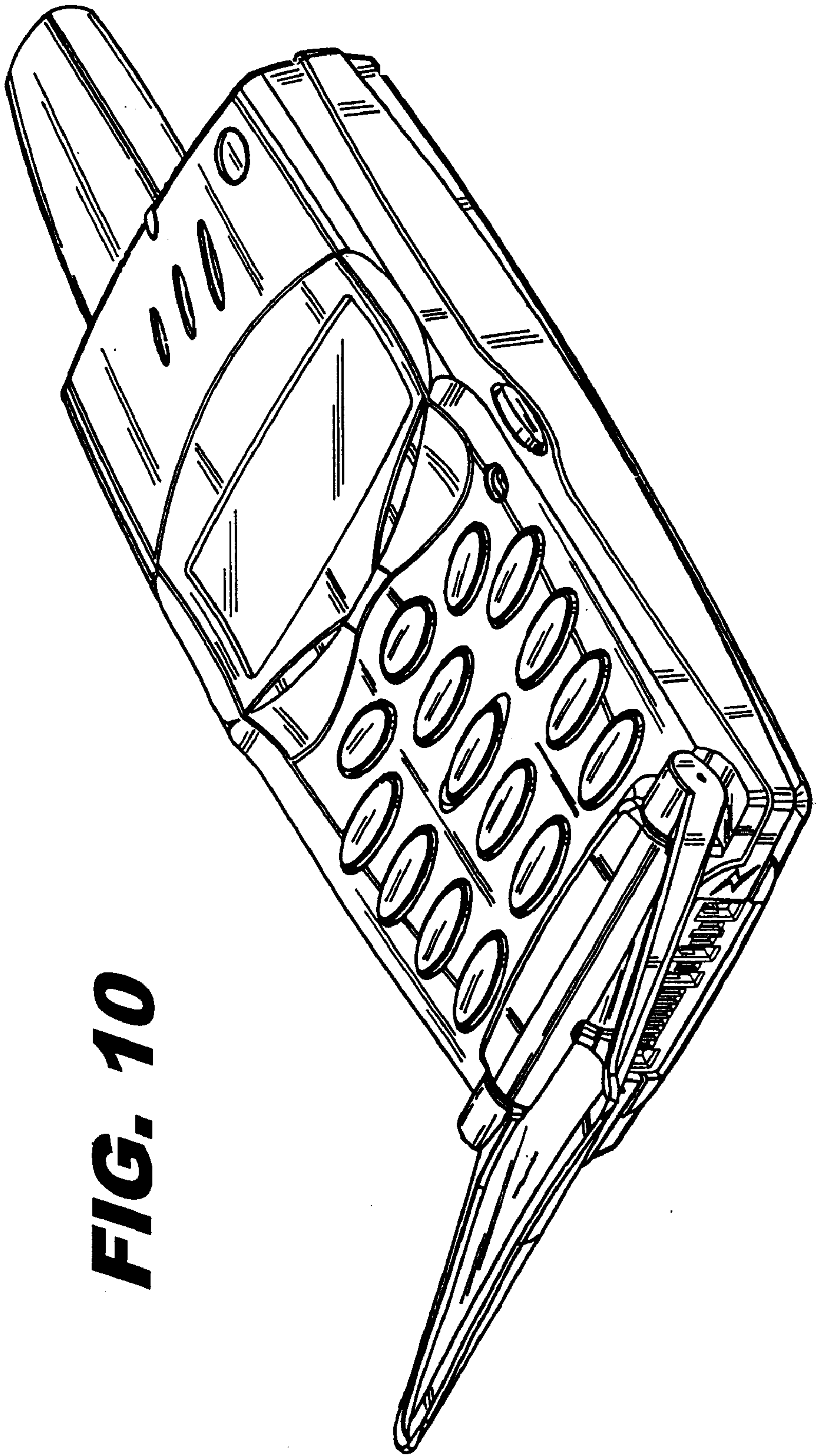


**FIG. 8**



**FIG. 9**

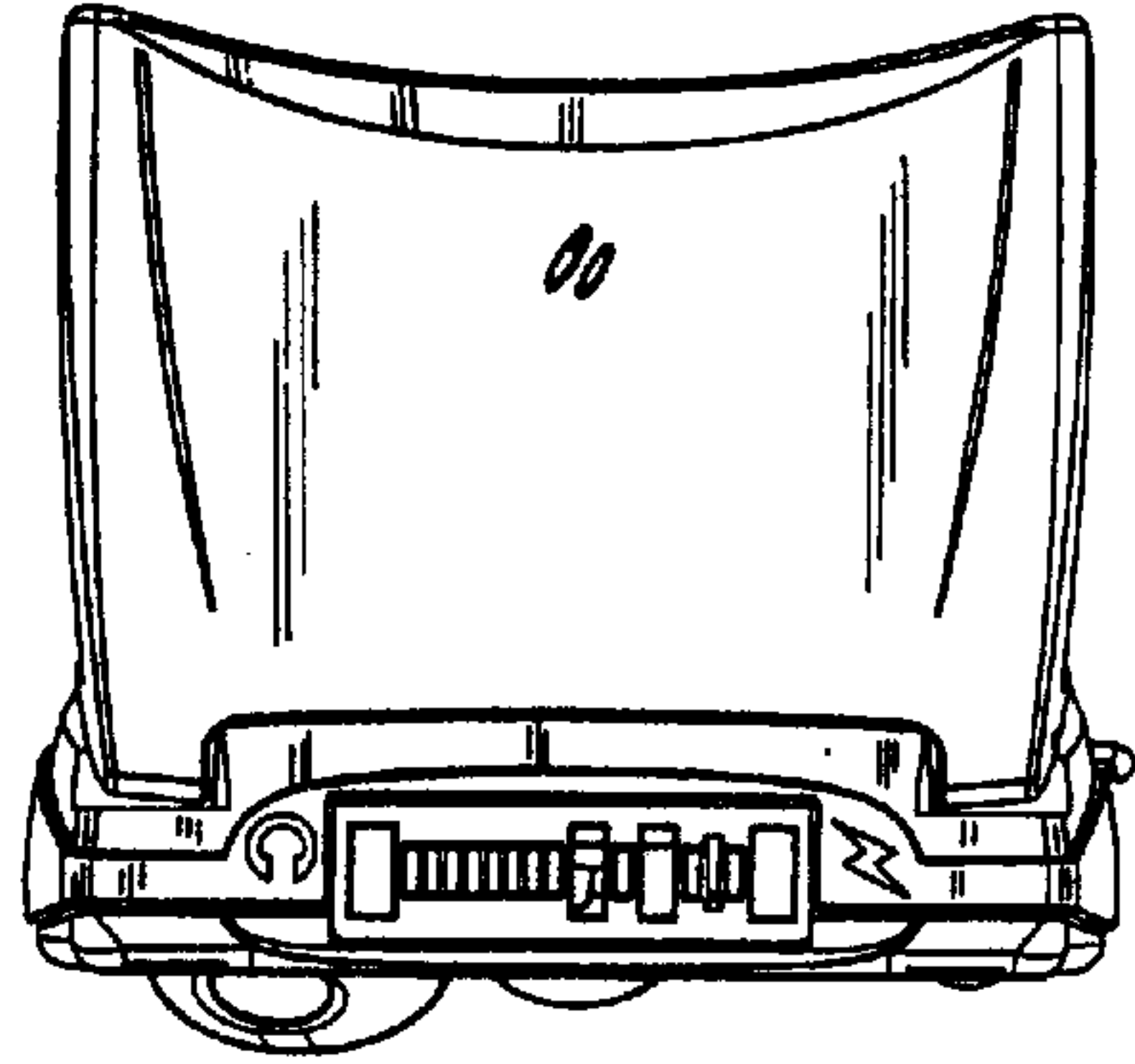




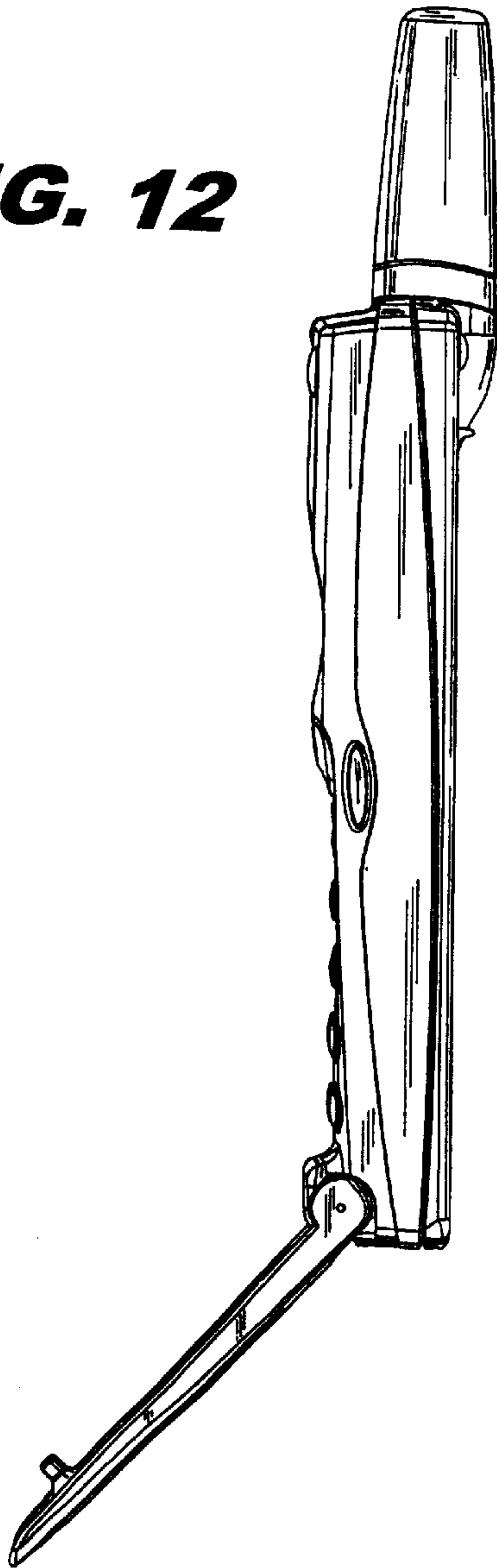
**FIG. 10**



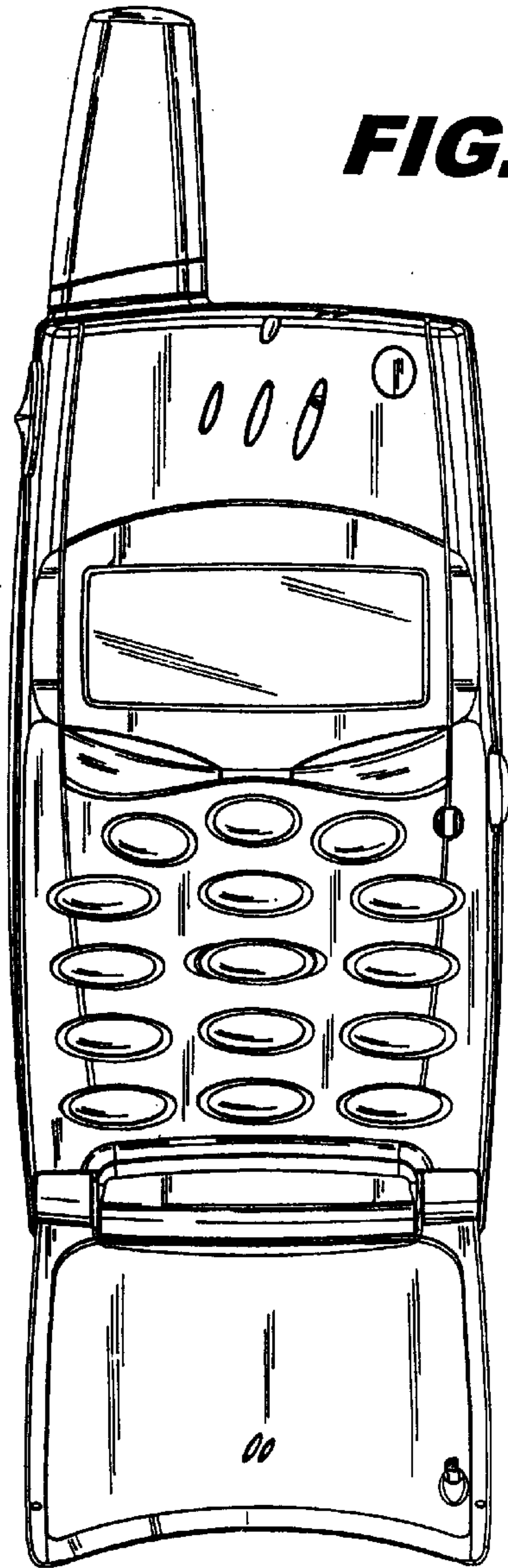
**FIG. 13**



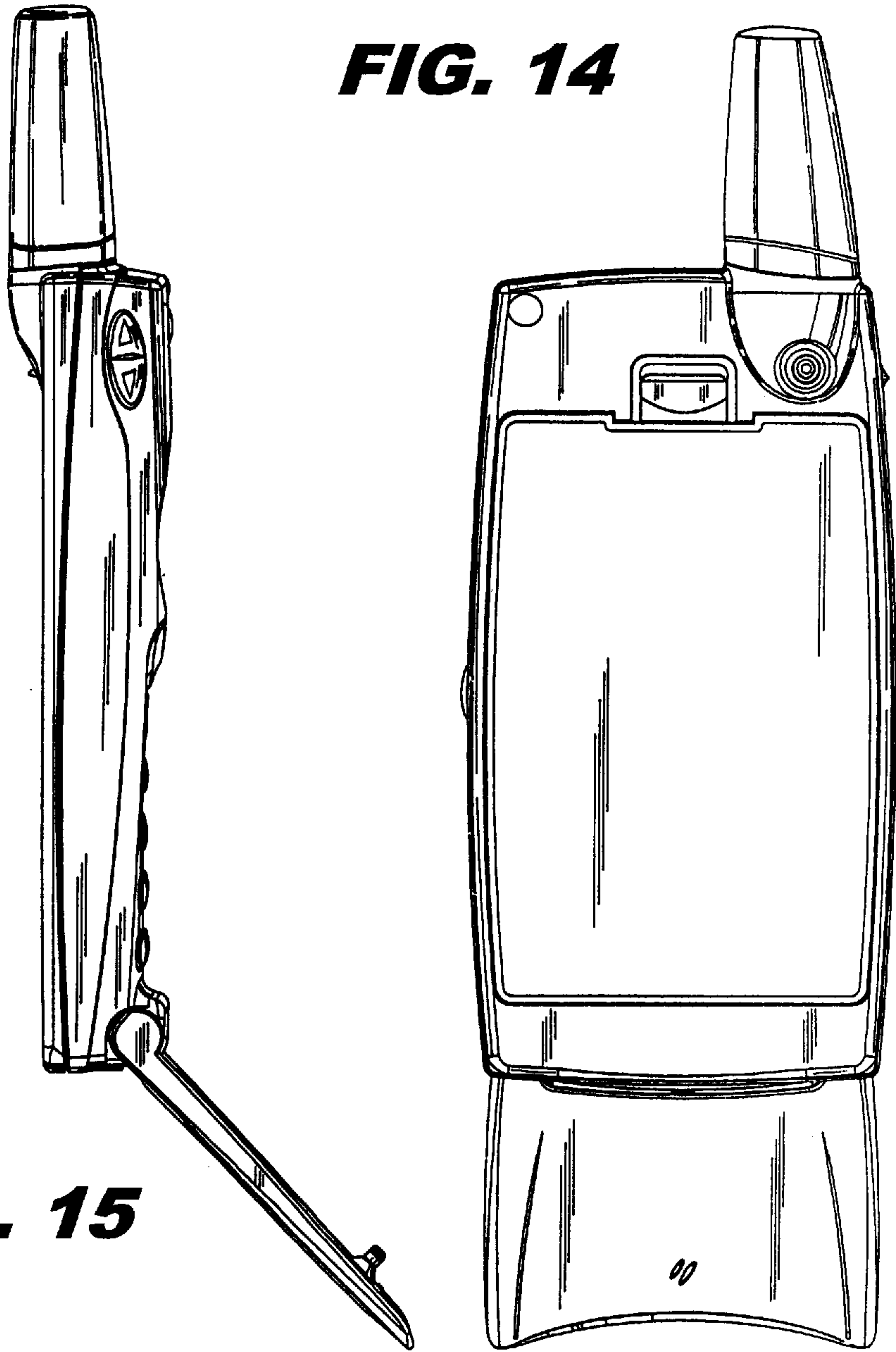
**FIG. 12**



**FIG. 11**

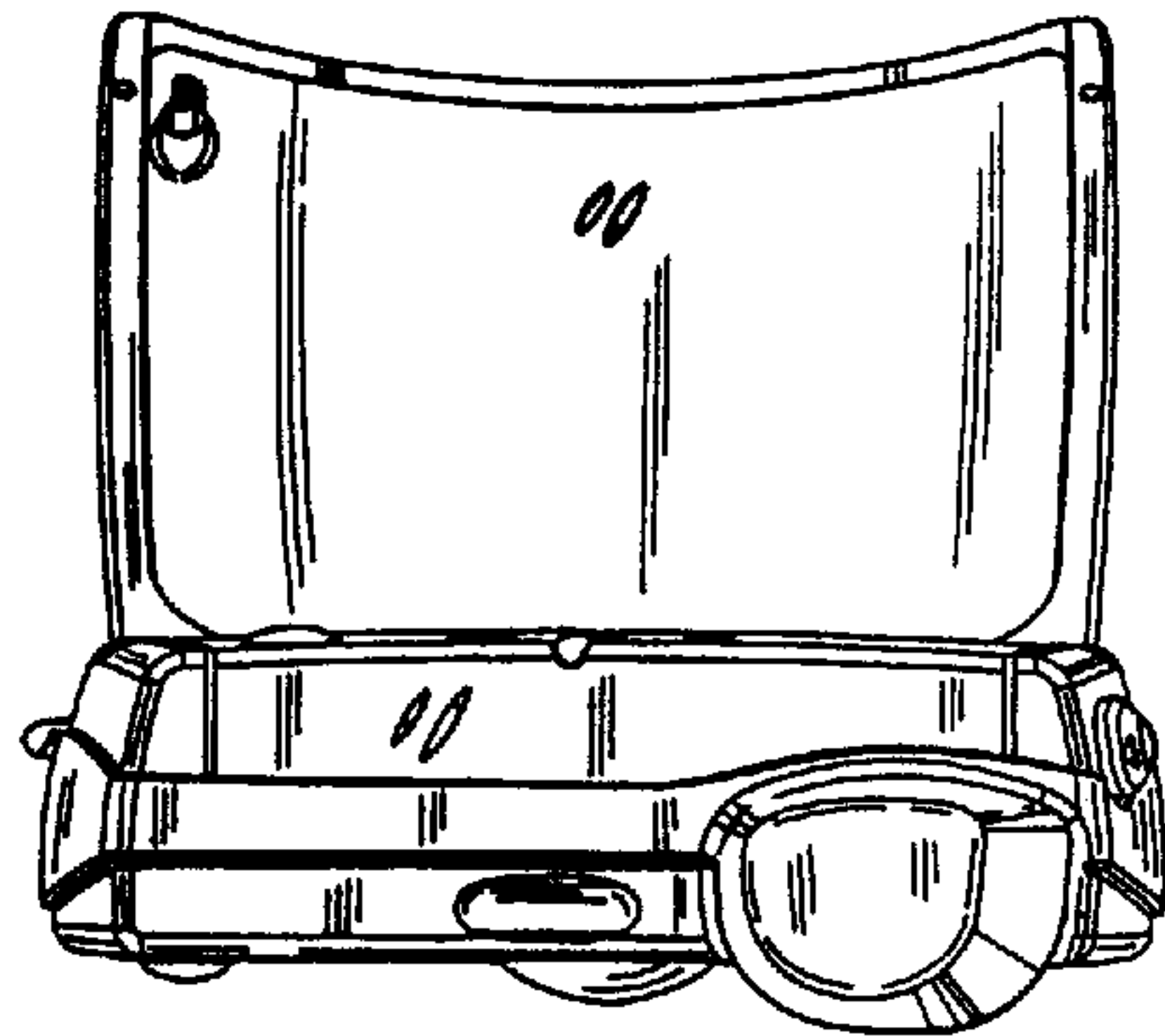


**FIG. 14**

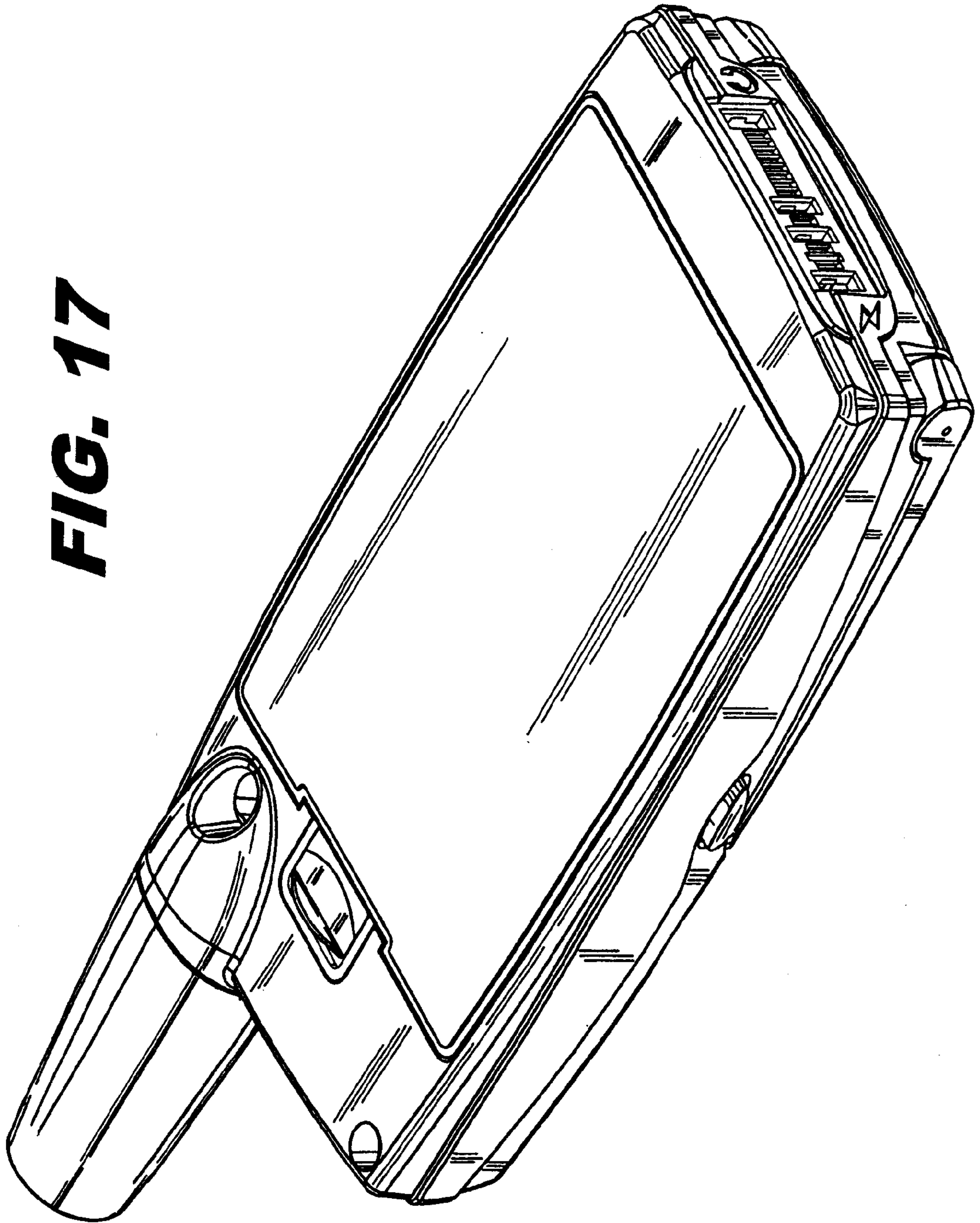


**FIG. 15**

**FIG. 16**

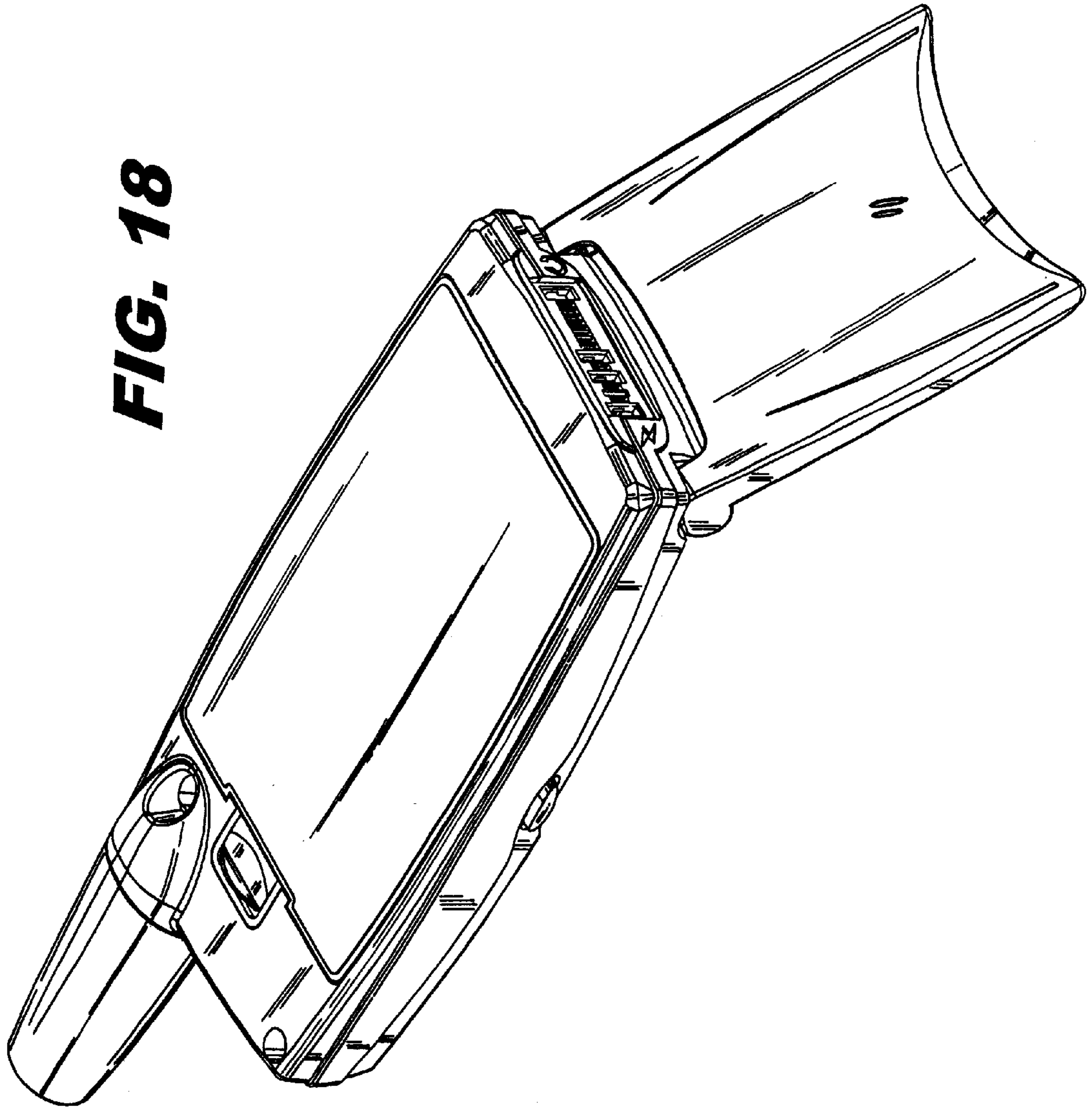


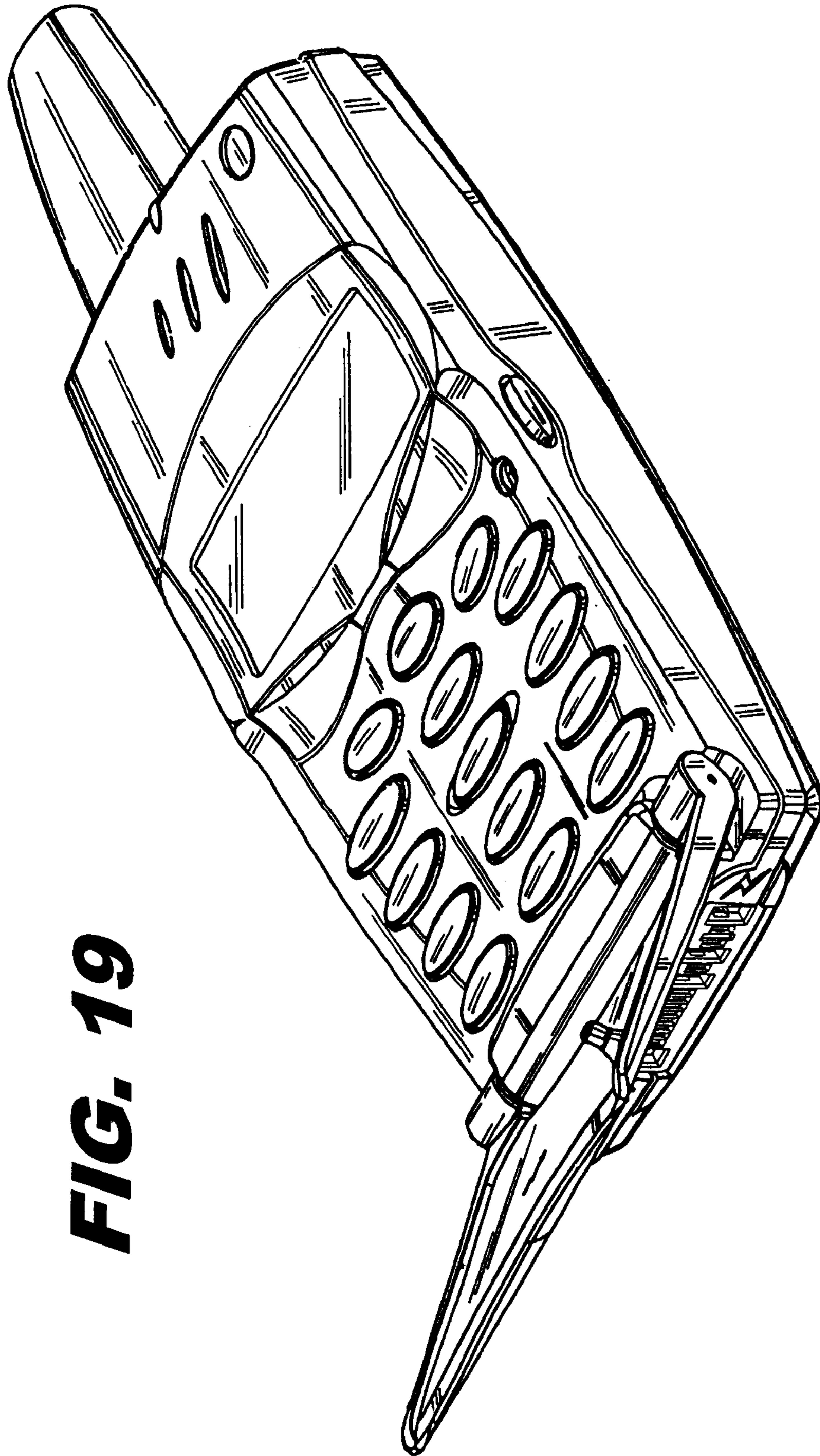
**FIG. 17**





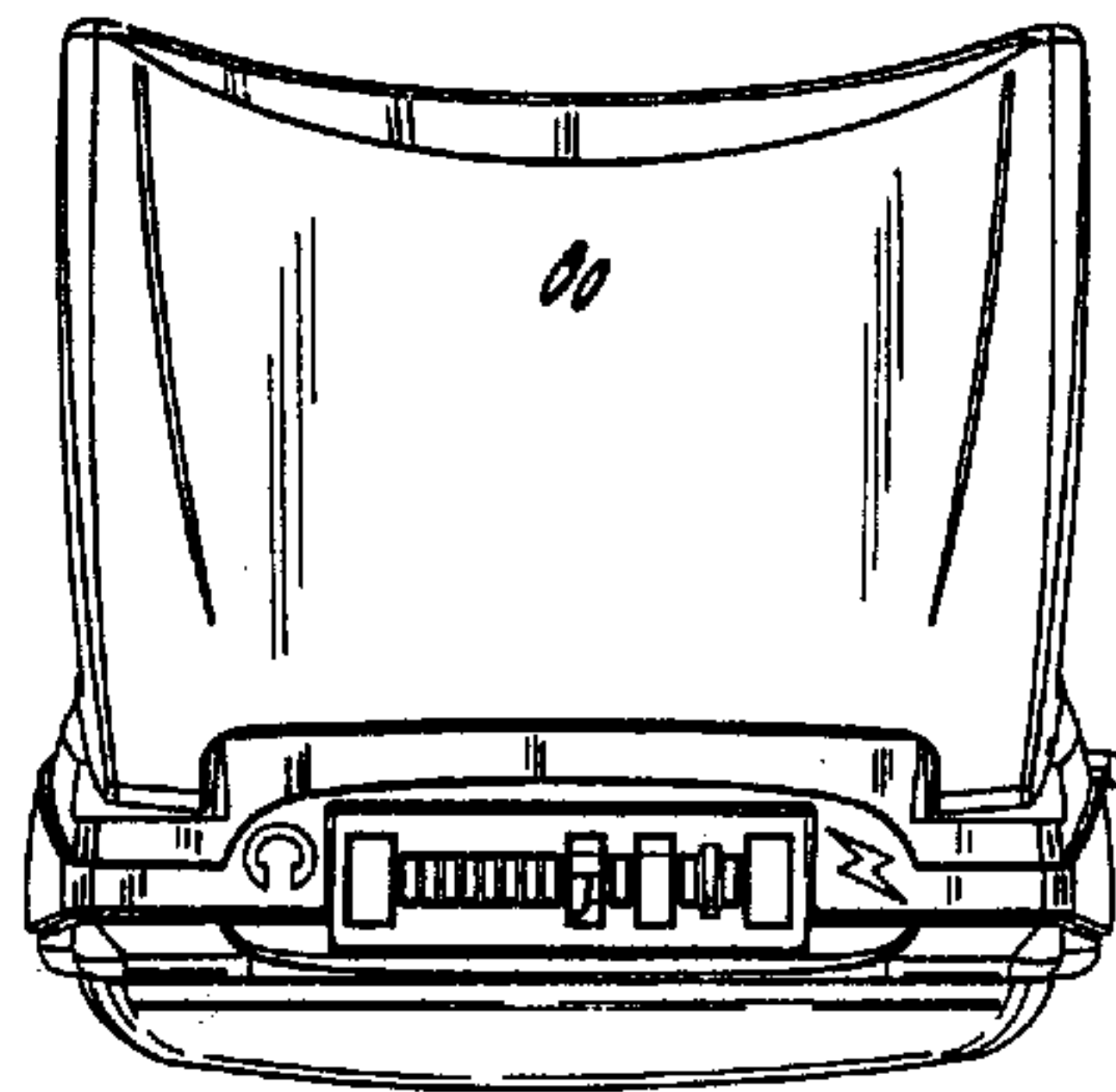
**FIG. 18**





**FIG. 19**

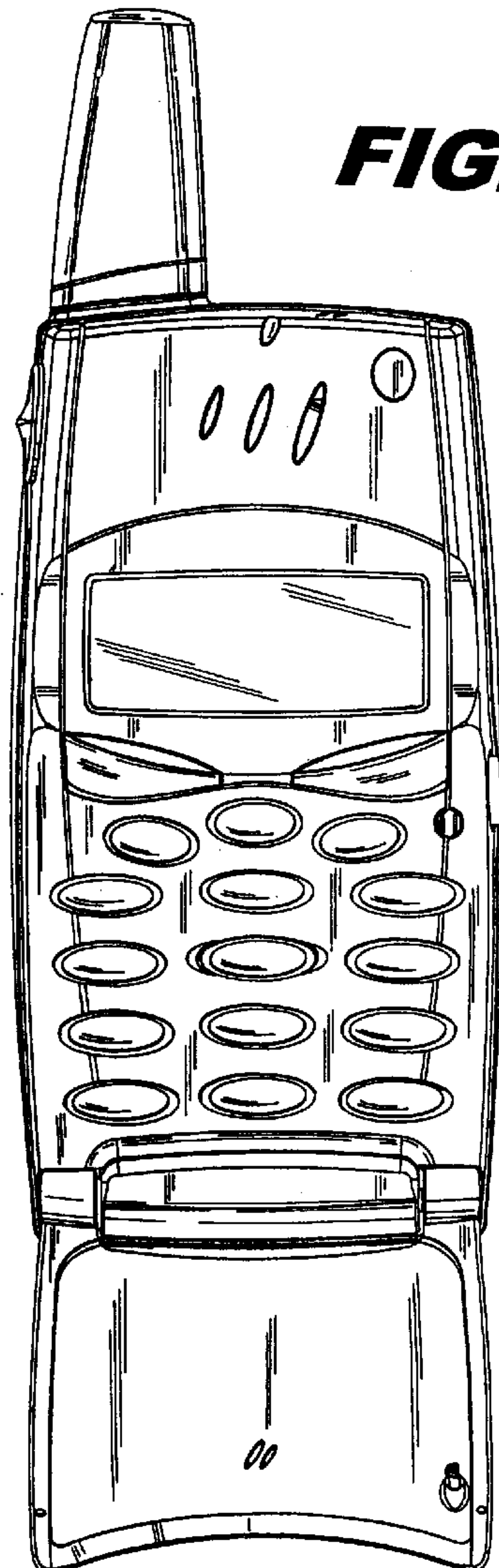
**FIG. 22**



**FIG. 21**



**FIG. 20**

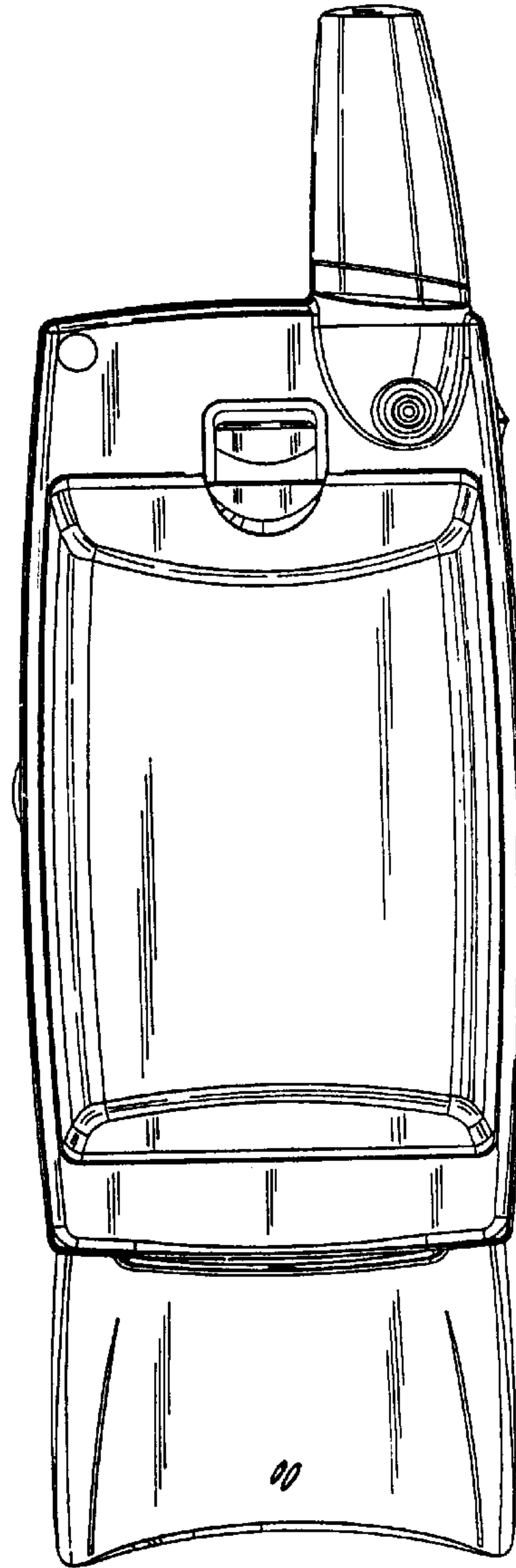




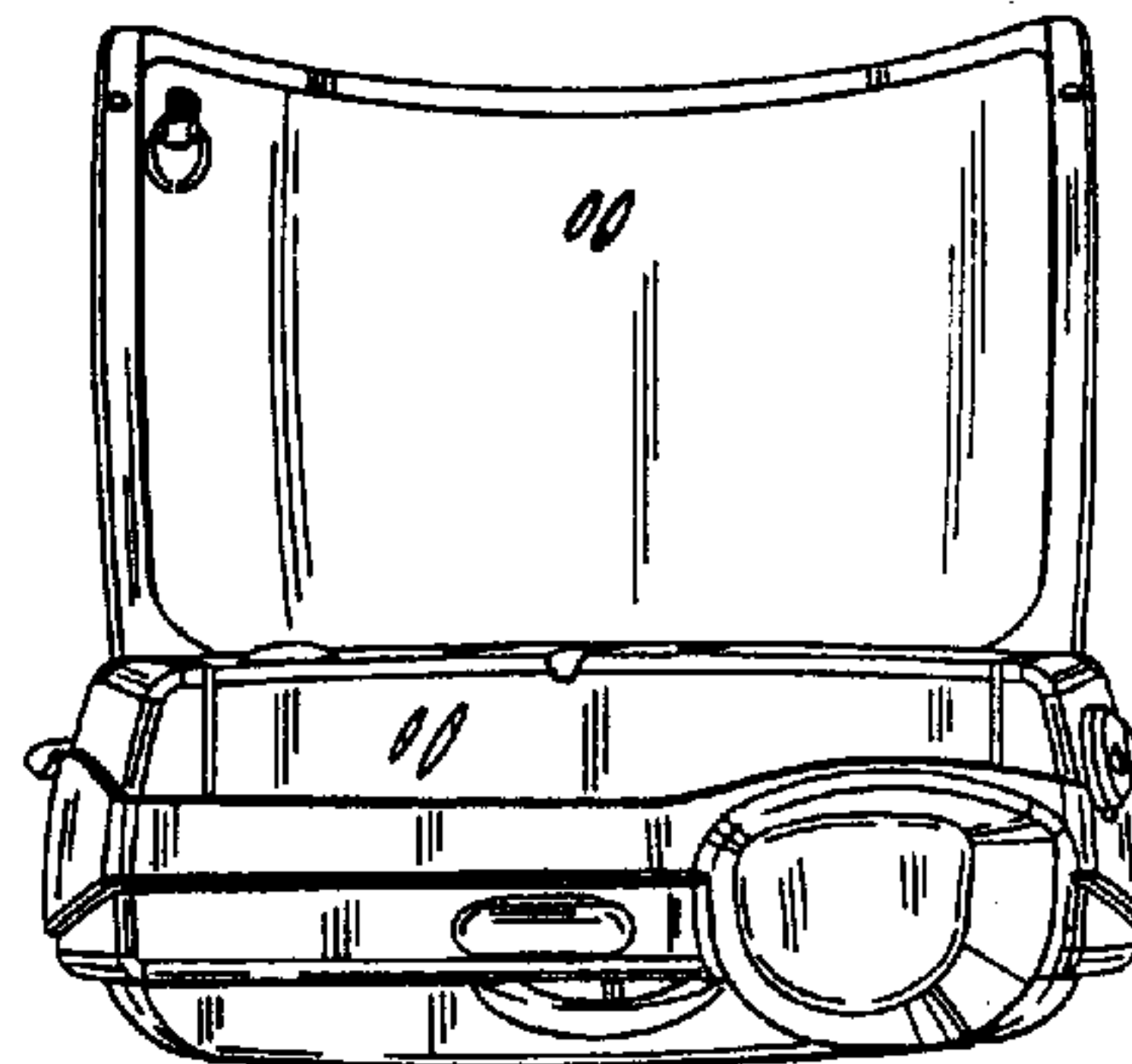
**FIG. 24**

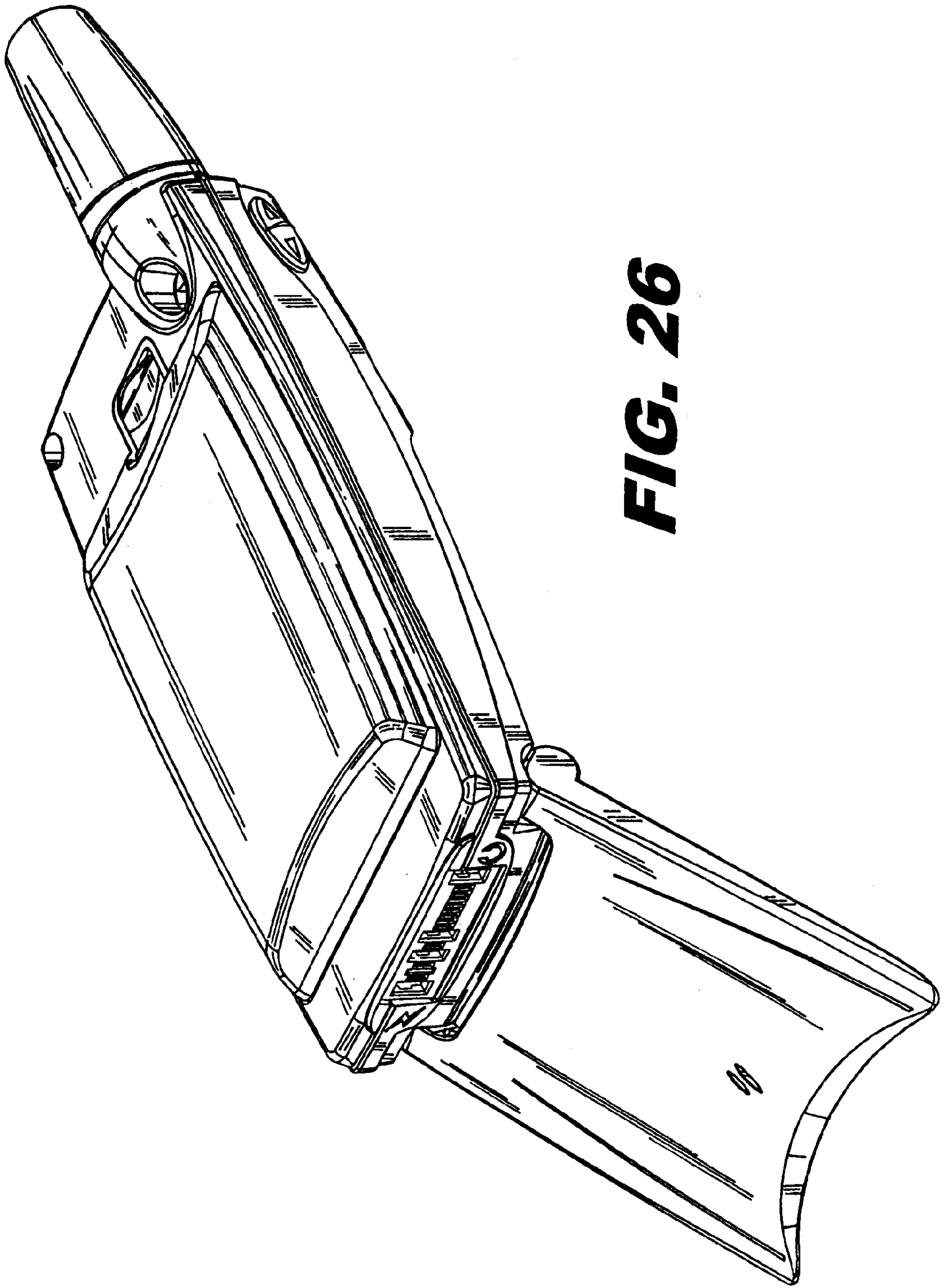


**FIG. 23**

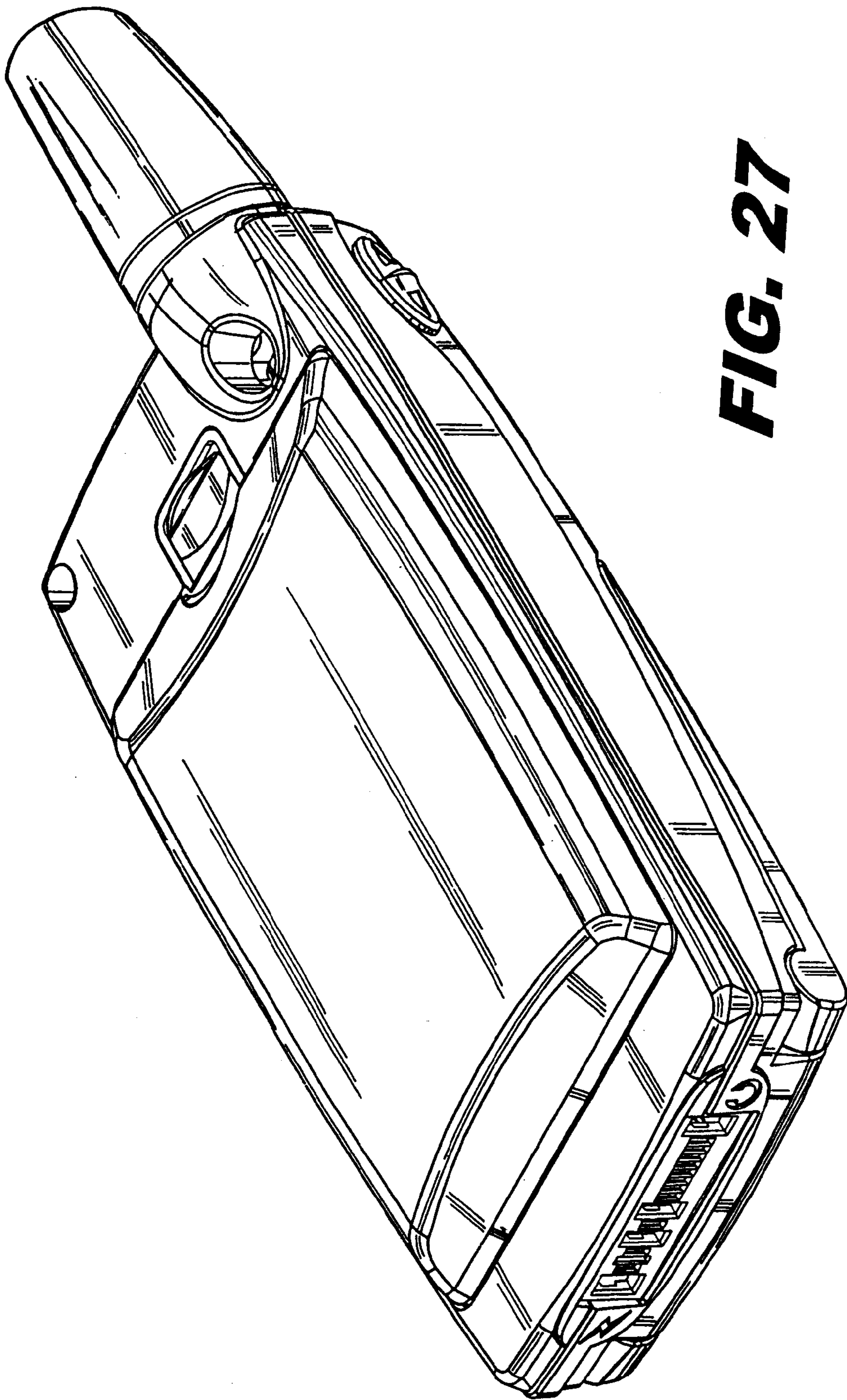


**FIG. 25**





**FIG. 26**



**FIG. 27**