



US00D423493S

United States Patent [19] Hakoda

[11] **Patent Number: Des. 423,493**

[45] **Date of Patent: ** Apr. 25, 2000**

[54] **WIRELESS TELEPHONE**

[75] Inventor: **Katsuhisa Hakoda**, Tokyo, Japan

[73] Assignee: **Sony Corporation**, Tokyo, Japan

[**] Term: **14 Years**

[21] Appl. No.: **29/097,859**

[22] Filed: **Dec. 16, 1998**

[30] **Foreign Application Priority Data**

Jun. 16, 1998 [JP] Japan 10-17011

[51] **LOC (6) Cl.** **14-03**

[52] **U.S. Cl.** **D14/138**

[58] **Field of Search** D14/137, 138,
D14/147-148, 247-248, 250, 240, 140-142;
379/433, 434, 419, 420, 428, 440; 455/550-575,
90

[56] **References Cited**

U.S. PATENT DOCUMENTS

D. 326,452	5/1992	Roegner	D14/138
D. 327,059	6/1992	Chu et al.	D14/147 X
D. 369,796	5/1996	Grewe	D14/138
D. 385,554	10/1997	Nuovo et al.	D14/138
D. 390,555	2/1998	Finke-Anlauff	D14/138
D. 406,131	2/1999	Osthues	D14/138
5,335,274	8/1994	Masuda et al.	379/433
5,657,370	8/1997	Tsugane et al.	379/433 X

OTHER PUBLICATIONS

Catalog, "J-Phone DP-211SW", 2 pages, Pioneer, (Sep. 1997).

Catalog, "Data Scope DS-110", 3 pages, Kyocera, (Oct. 1997).

Primary Examiner—Jeffrey Asch
Attorney, Agent, or Firm—Foley & Lardner

[57] **CLAIM**

The ornamental design for a wireless telephone, as shown and described.

DESCRIPTION

FIG. 1 is a perspective view of a first embodiment of a wireless telephone showing my new design;

FIG. 2 is a top plan view thereof;

FIG. 3 is a left side elevational view thereof;

FIG. 4 is a front elevational view thereof;

FIG. 5 is a bottom plan view thereof;

FIG. 6 is a right side elevational view thereof; and

FIG. 7 is a rear elevational view thereof.

FIG. 8 is another perspective view thereof, wherein the microphone portion is in the extended position.

FIG. 9 is a perspective view of a second embodiment of a wireless telephone showing my new design;

FIG. 10 is a top plan view thereof;

FIG. 11 is a left side elevational view thereof;

FIG. 12 is a front elevational view thereof;

FIG. 13 is a bottom plan view thereof;

FIG. 14 is a right side elevational view thereof; and,

FIG. 15 is a rear elevational view thereof; and,

FIG. 16 is another perspective view thereof, wherein the microphone portion is in the extended position.

The portions of the article not shown in the drawing nor described in the specification form no part of the claimed design.

1 Claim, 4 Drawing Sheets

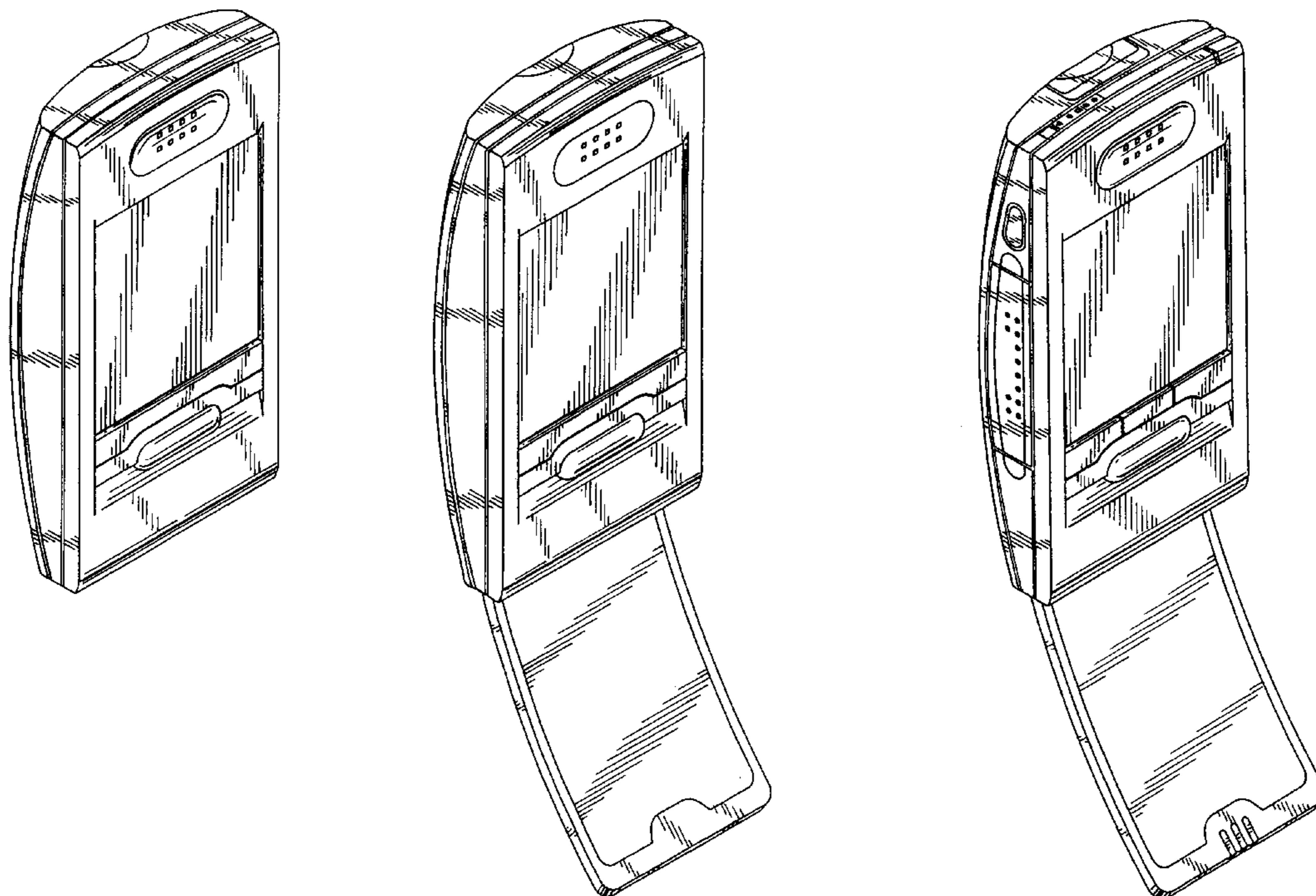


FIG. 1

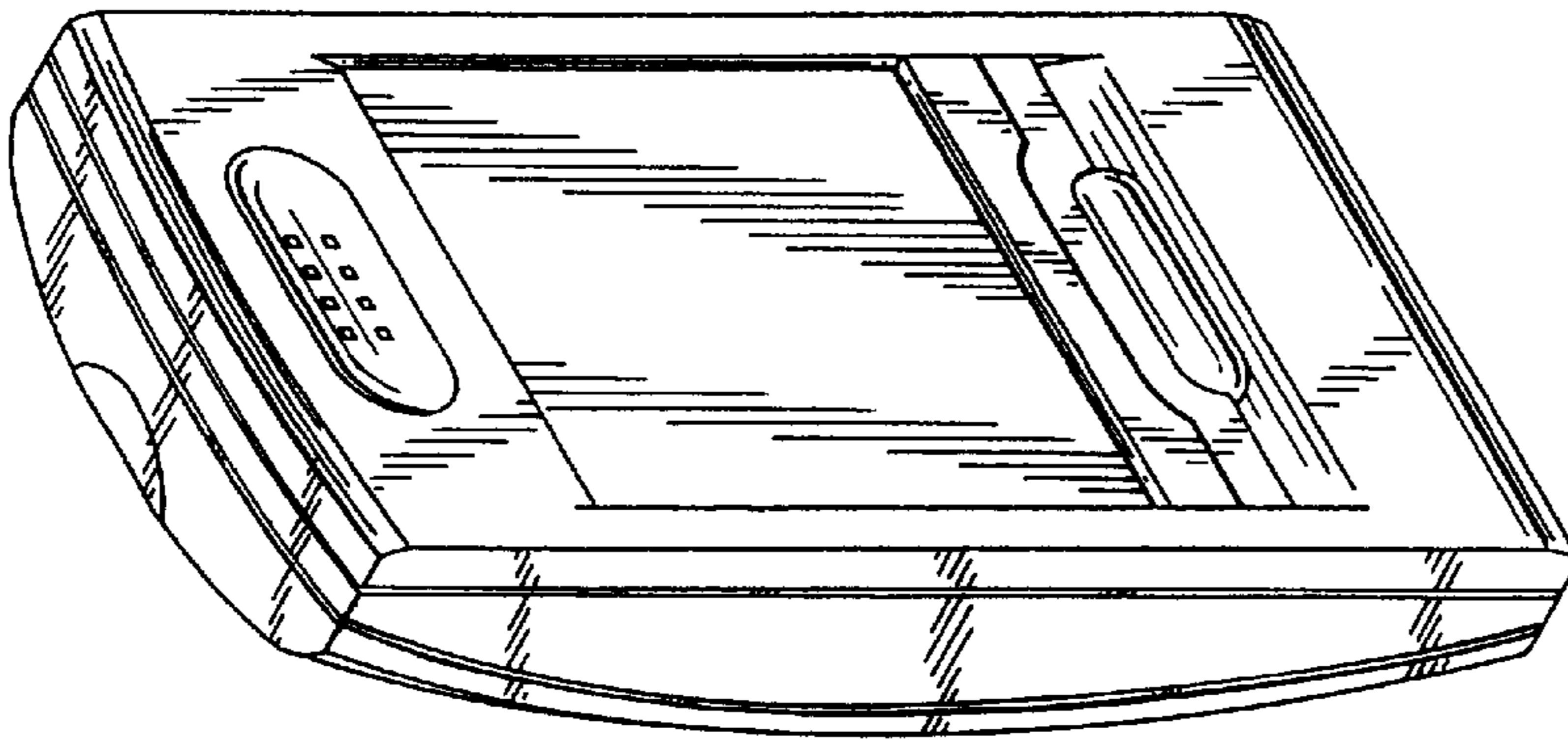
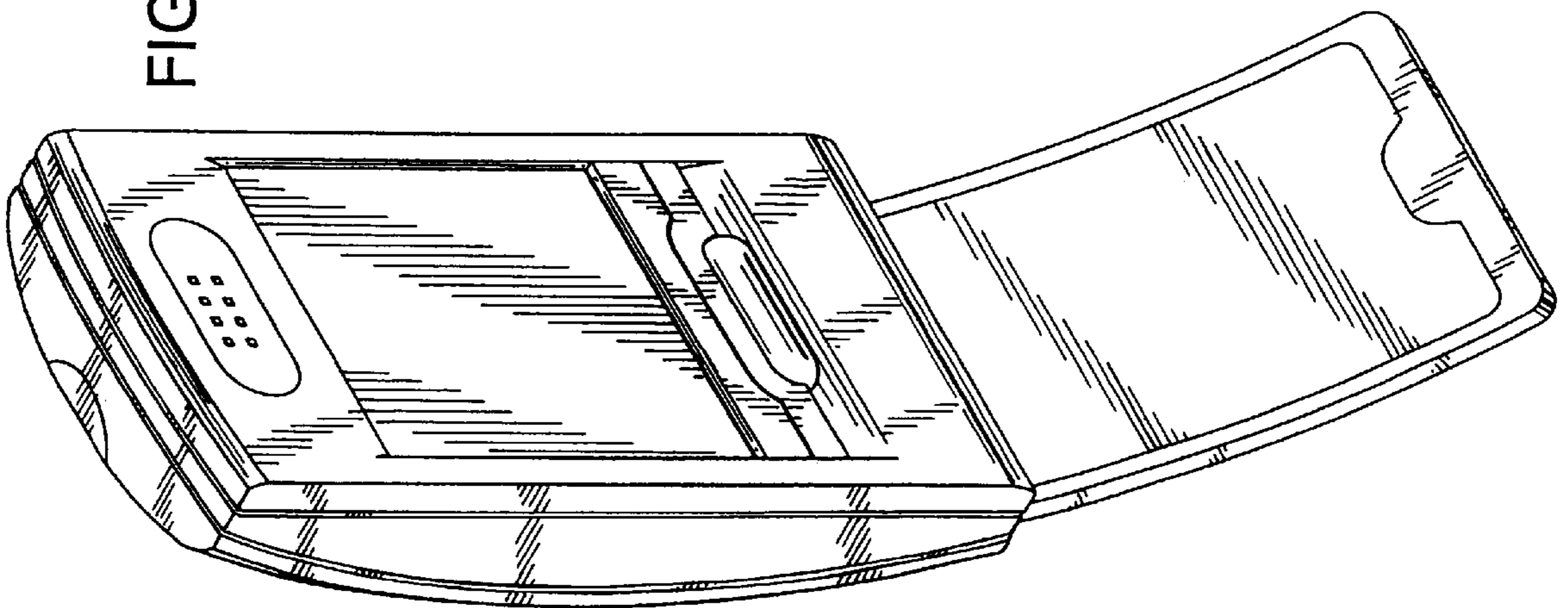


FIG. 8



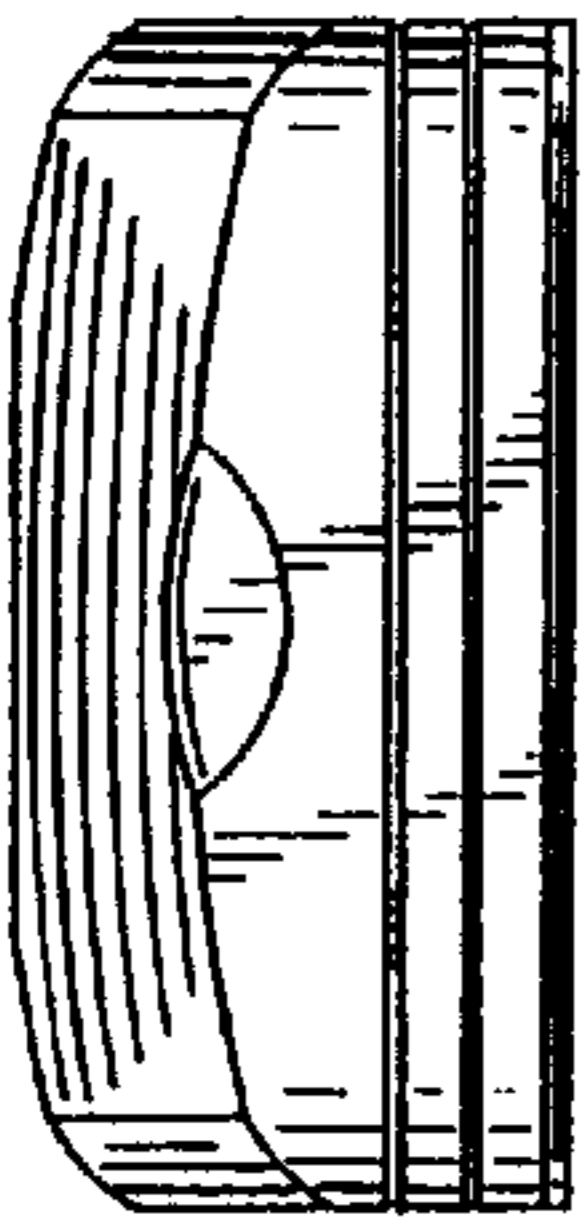


FIG. 2

FIG. 3



FIG. 4

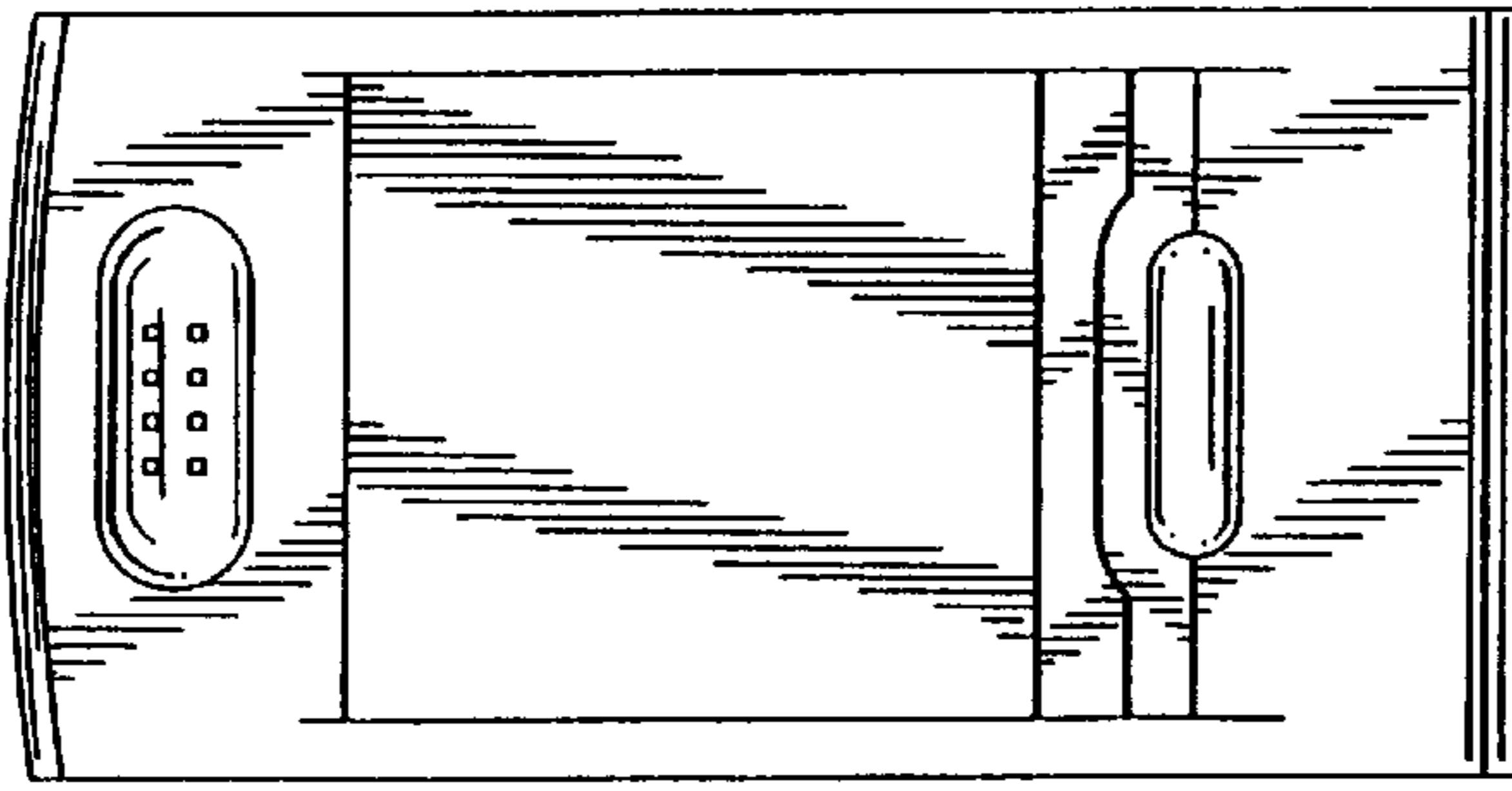


FIG. 6

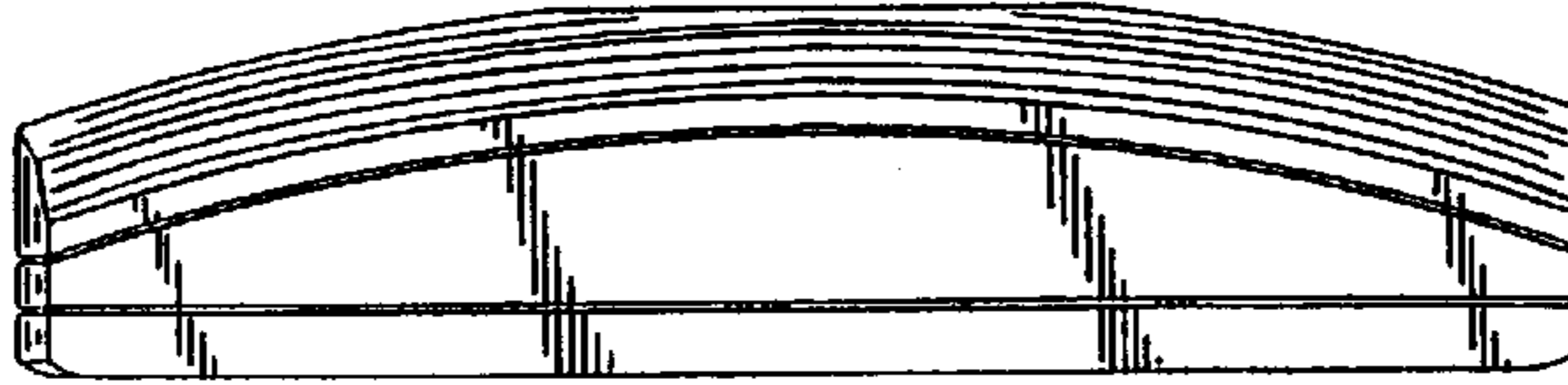


FIG. 7

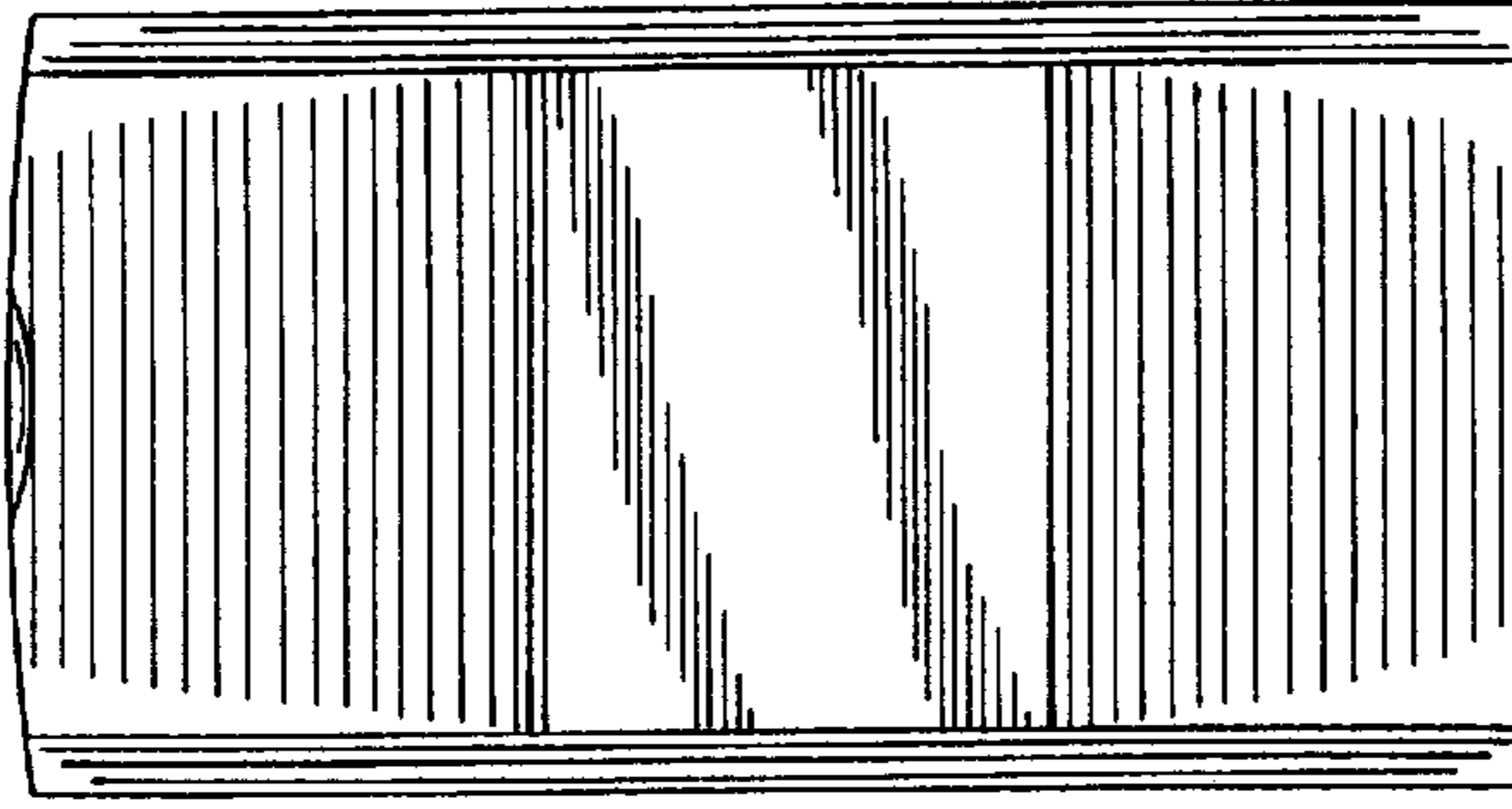


FIG. 5

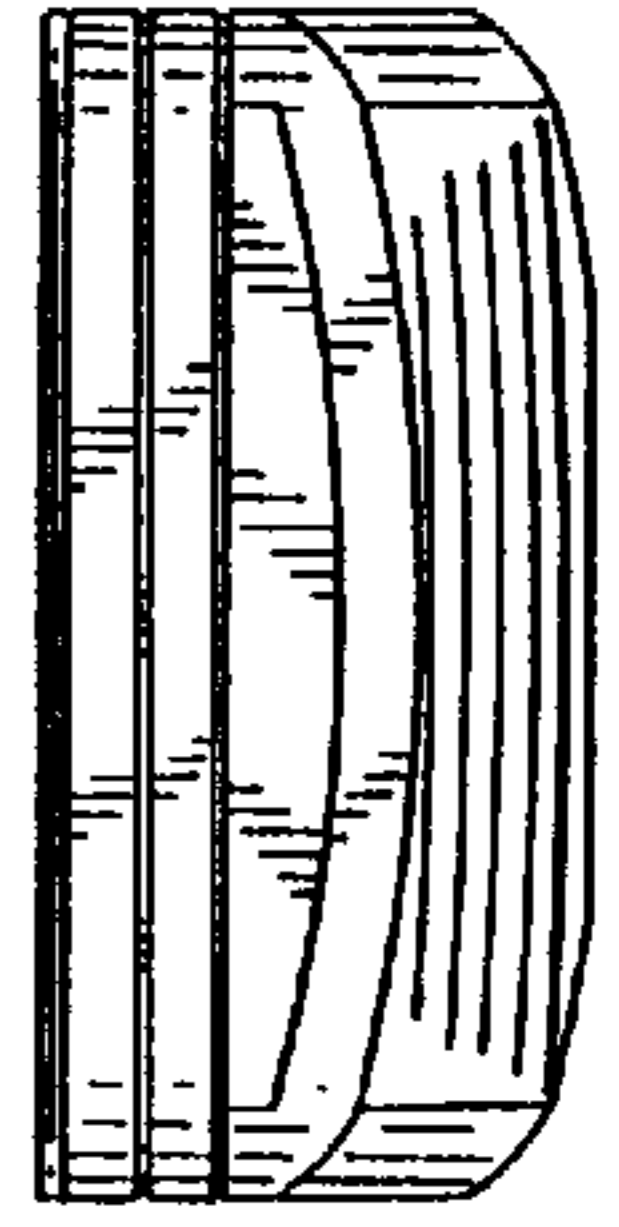


FIG. 9

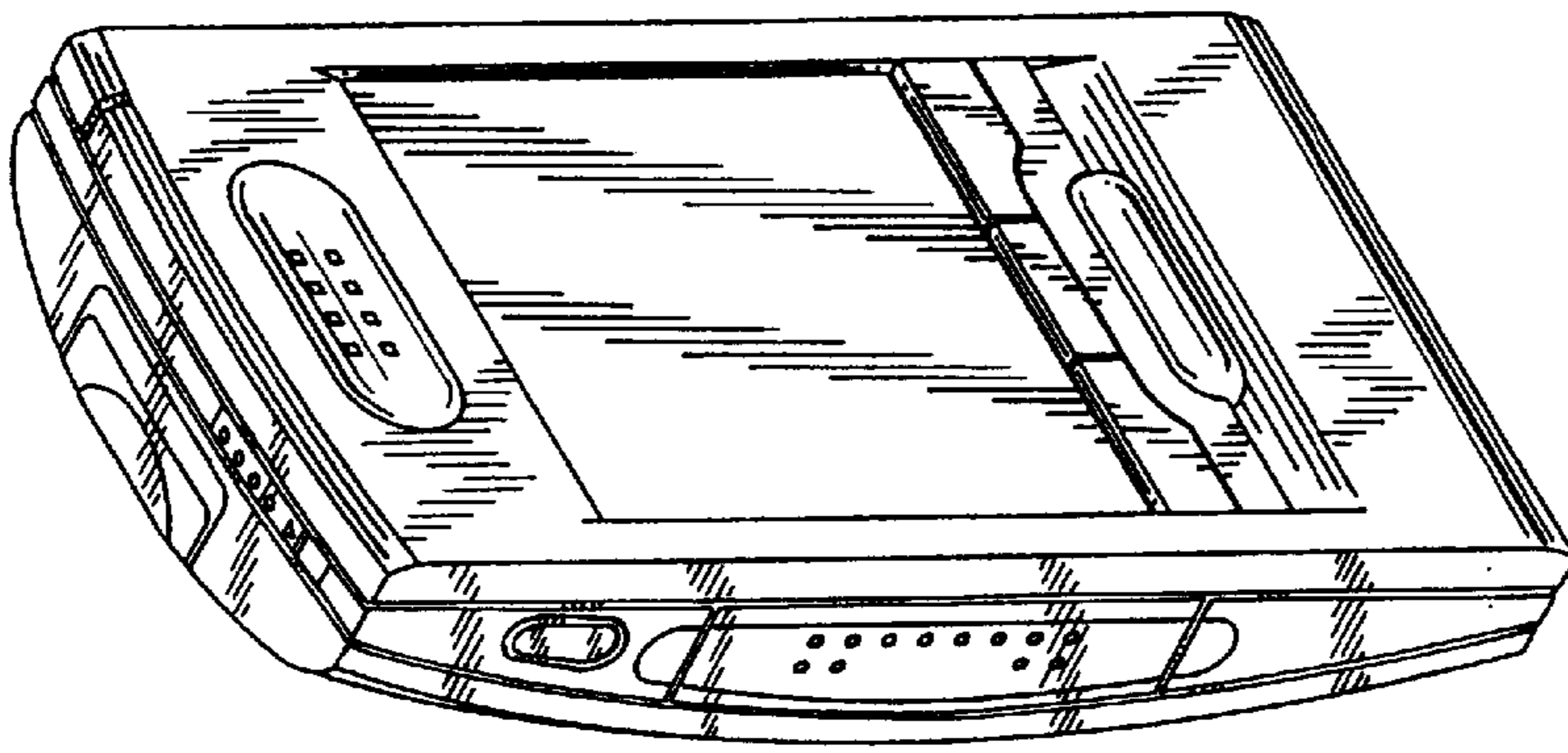


FIG. 16

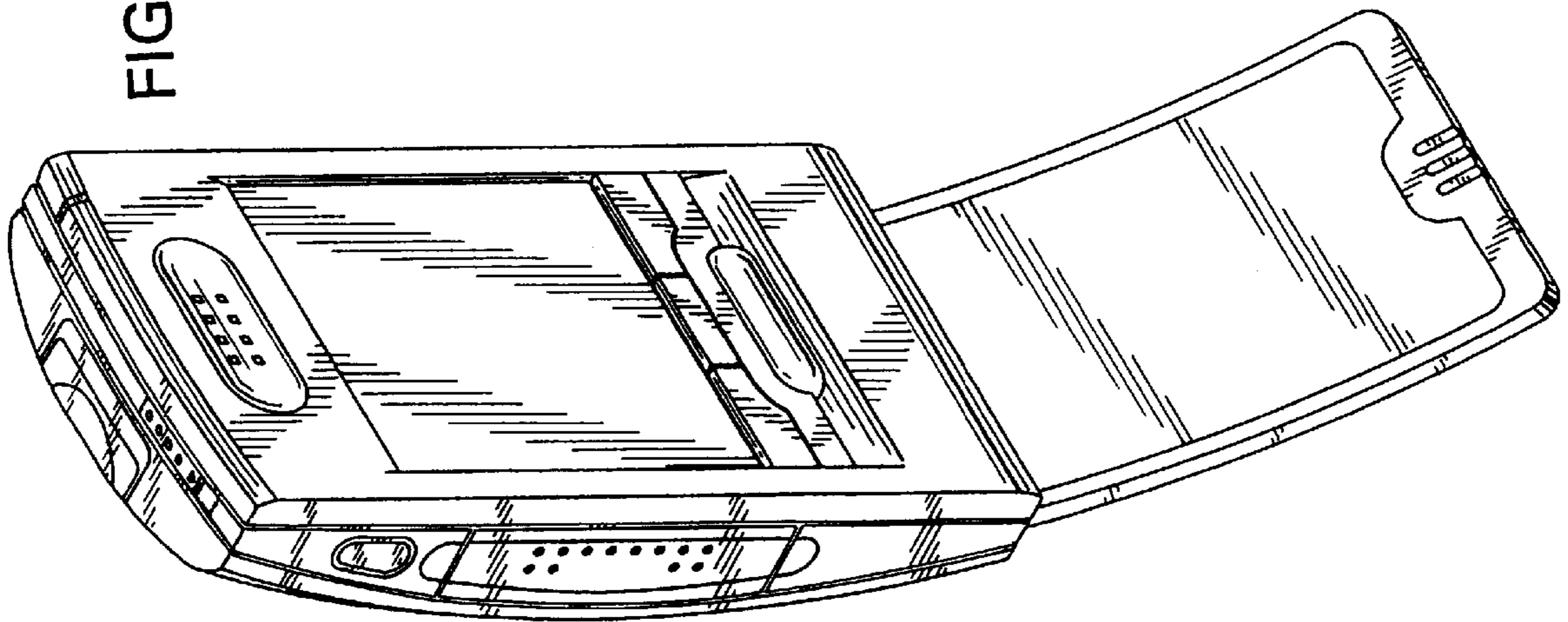


FIG. 10

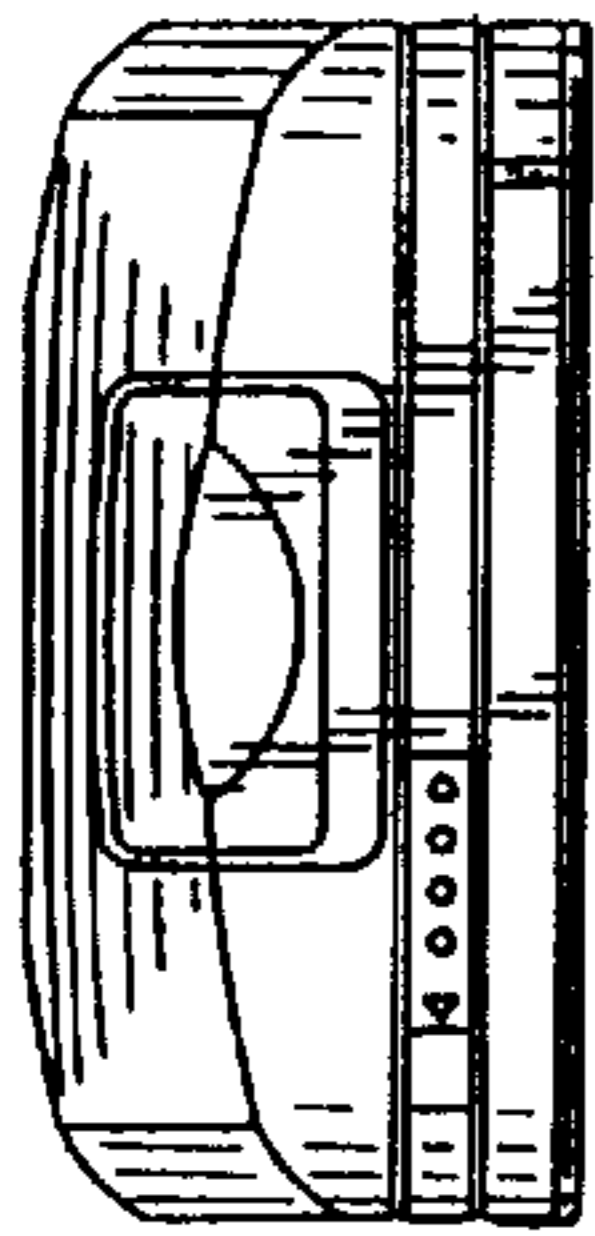


FIG. 11

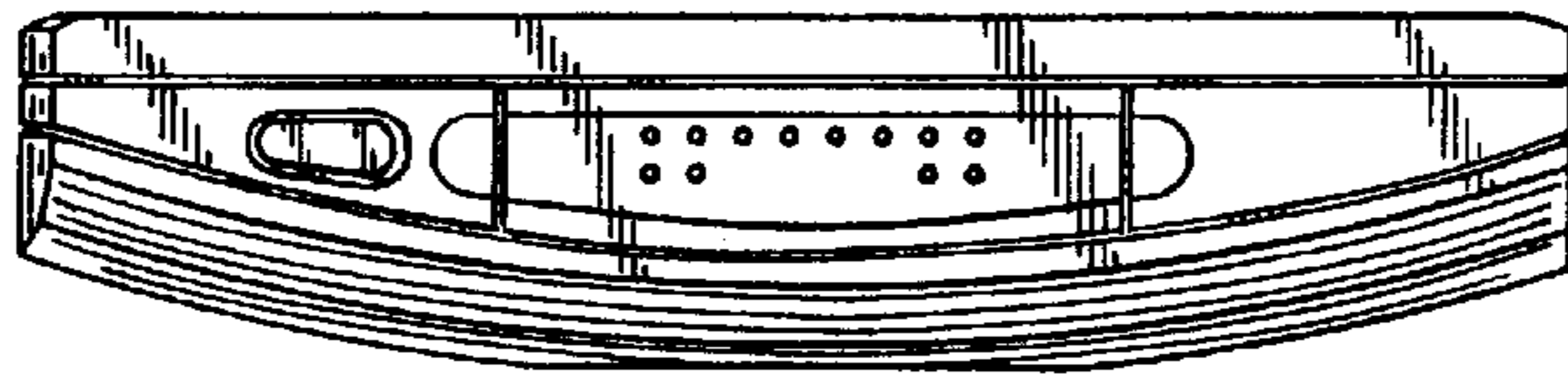


FIG. 12

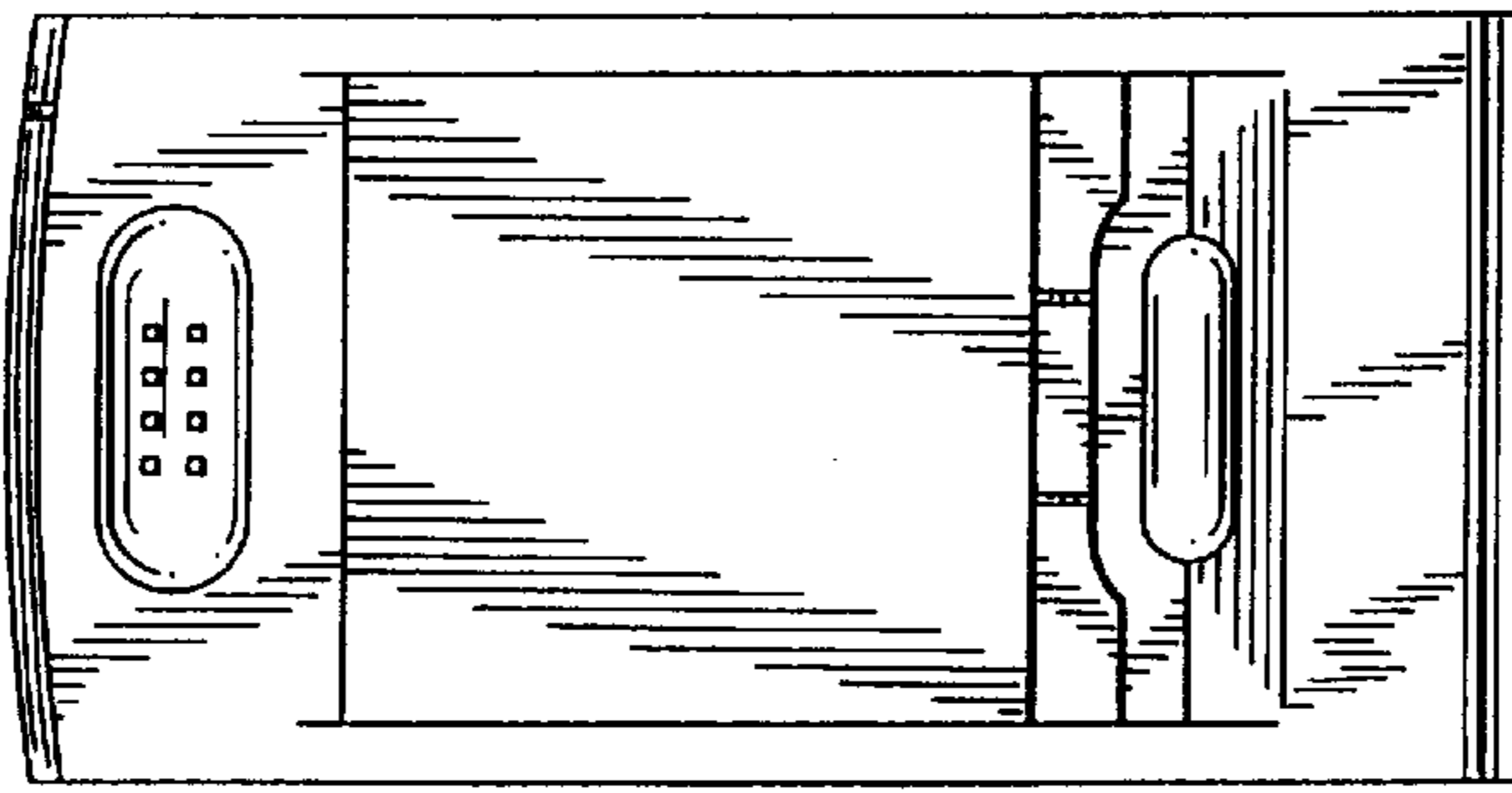


FIG. 14

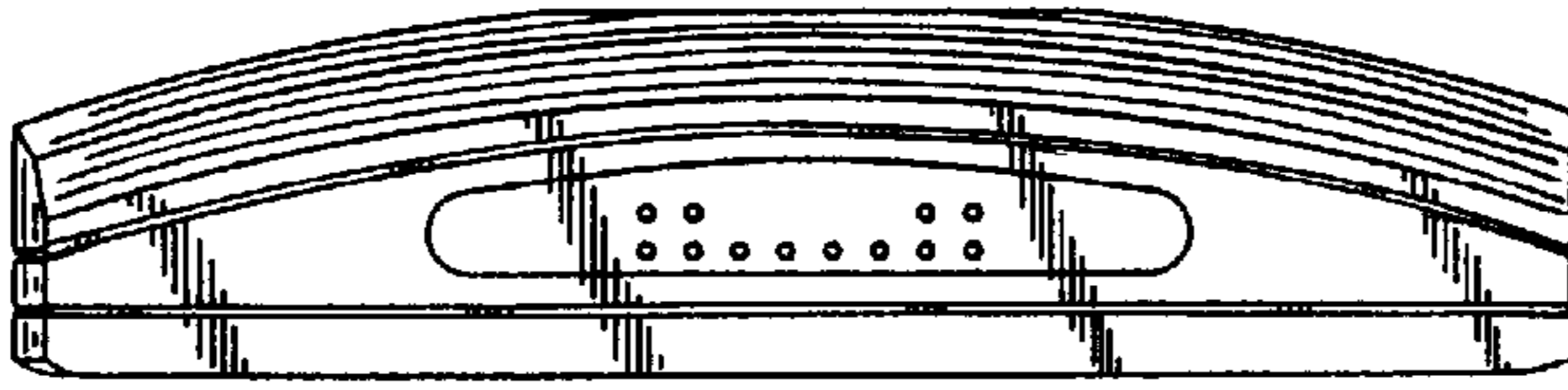


FIG. 15

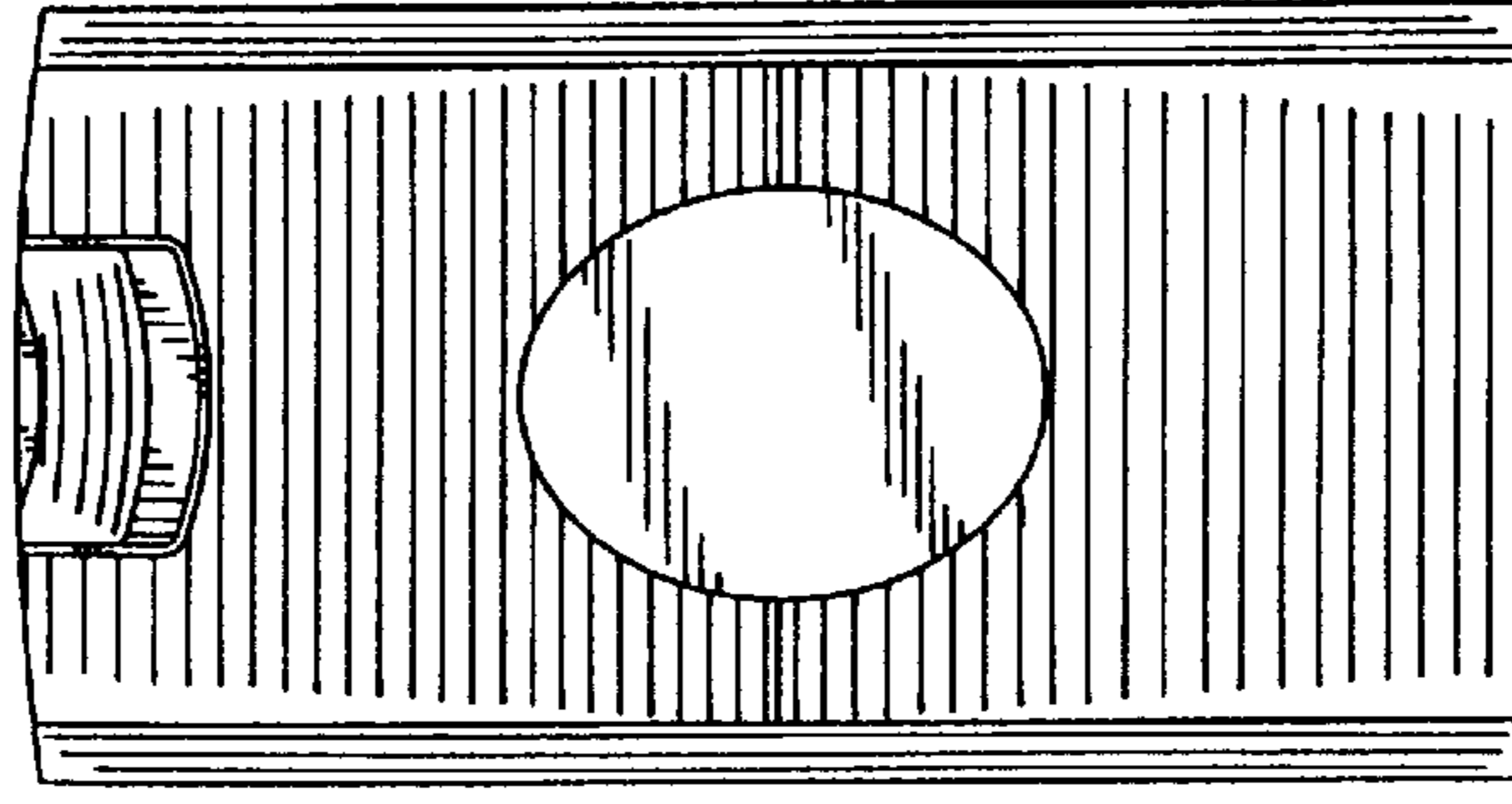


FIG. 13

