



US00D423481S

**United States Patent** [19]  
**Geremia**

[11] **Patent Number: Des. 423,481**

[45] **Date of Patent: \*\* Apr. 25, 2000**

[54] **DECORATIVE SLIPCOVER FOR A TELEVISION OR MONITOR**

[76] Inventor: **Gino Geremia**, 6161 El Cajon Blvd. #B228, San Diego, Calif. 92115

[\*\*] Term: **14 Years**

[21] Appl. No.: **29/107,912**

[22] Filed: **Jul. 15, 1999**

[51] **LOC (6) Cl.** ..... **14-02**

[52] **U.S. Cl.** ..... **D14/114**

[58] **Field of Search** ..... D14/114, 217;  
D6/598, 610; 273/148 B; 150/154, 158,  
165

[56] **References Cited**

**U.S. PATENT DOCUMENTS**

D. 323,322	1/1992	Cress et al.	.....	D14/114
D. 382,260	8/1997	Smith	.....	D14/114
D. 386,164	11/1997	Silberstein	.....	D14/114

**OTHER PUBLICATIONS**

Copy of a page from "Girlfriends" catalog describing "Computer Hood". P. 34, Winter 1999, P.O. Box 803321, Santa Clarita, CA 91380.

*Primary Examiner*—Kay H. Chin

[57] **CLAIM**

The ornamental design for a decorative slipcover for a television or monitor, as shown and described.

**DESCRIPTION**

FIG. 1 is a front elevational view of the decorative slipcover for a television or monitor showing my new design;

FIG. 2 is a back elevational view thereof;

FIG. 3 is a left side elevational view thereof;

FIG. 4 is a right side elevational view thereof;

FIG. 5 is a top plan view thereof;

FIG. 6 is a bottom plan view thereof;

FIG. 7 is a top, front, left side perspective view thereof; and,

FIG. 8 is a bottom, rear, left side perspective view thereof.

The broken lines showing of a television set in FIGS. 7 and 8 are for illustrative purposes only and form no part of the claimed design.

**1 Claim, 5 Drawing Sheets**

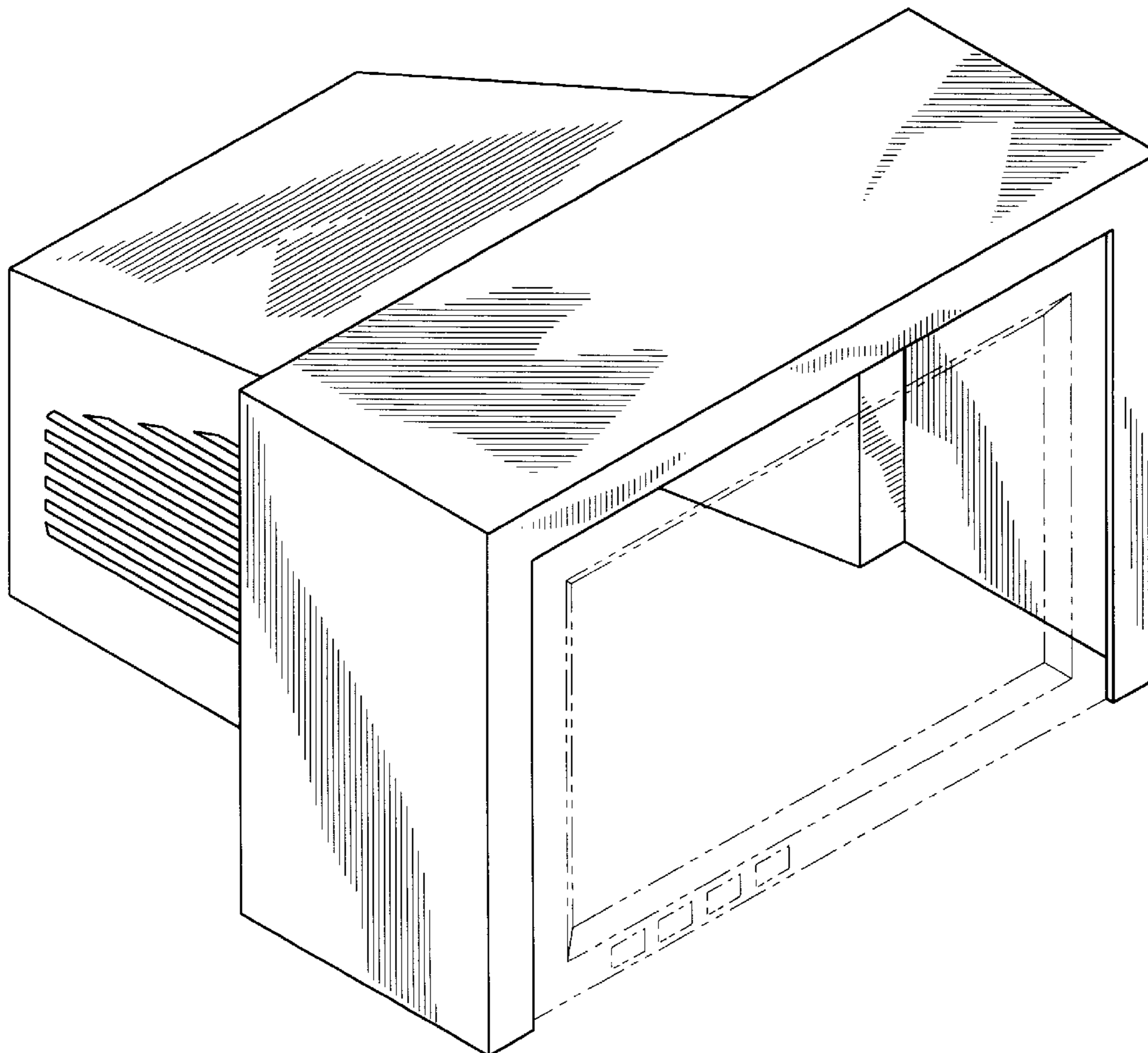


FIG. 1

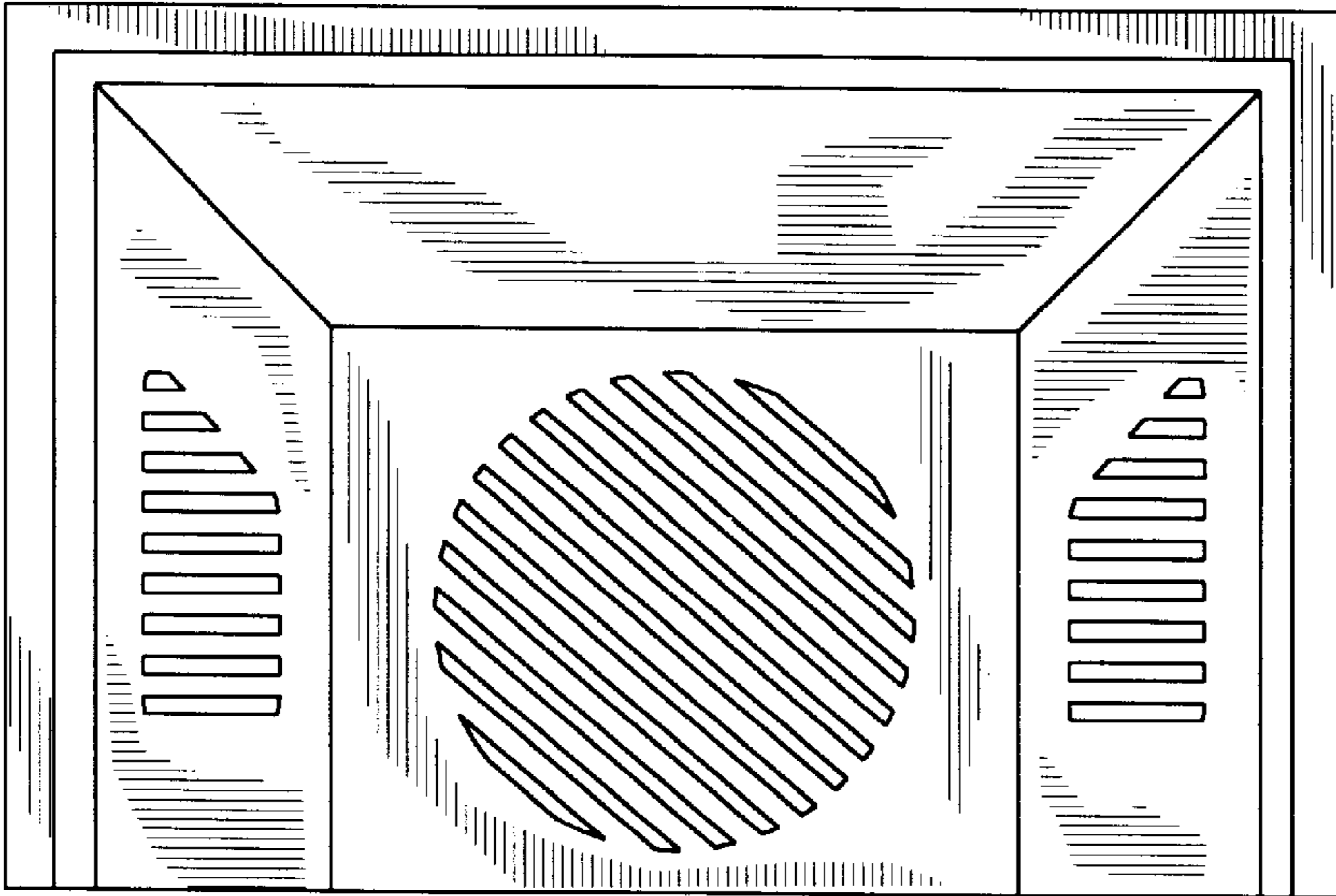


FIG. 2

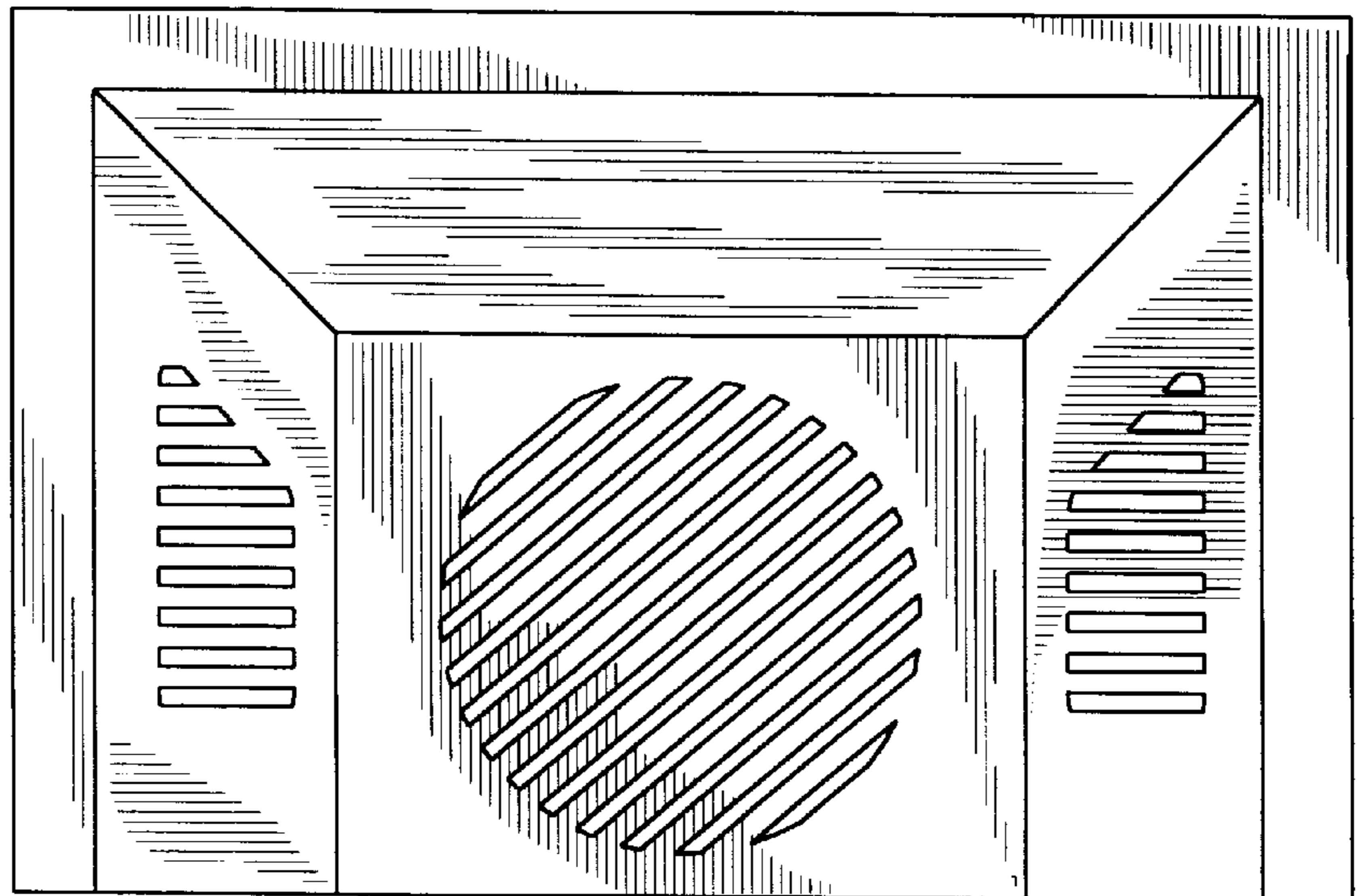


FIG. 3

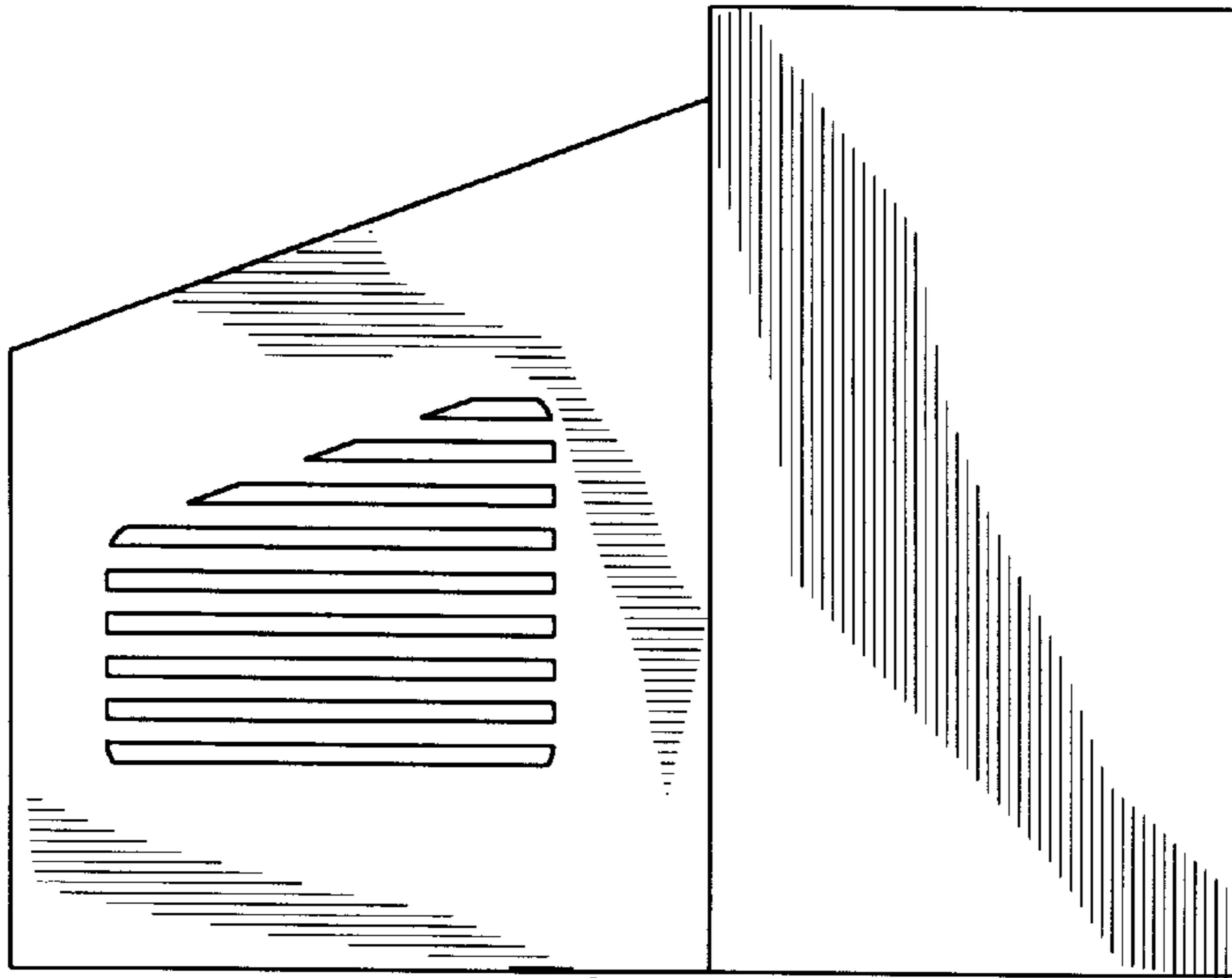


FIG. 4

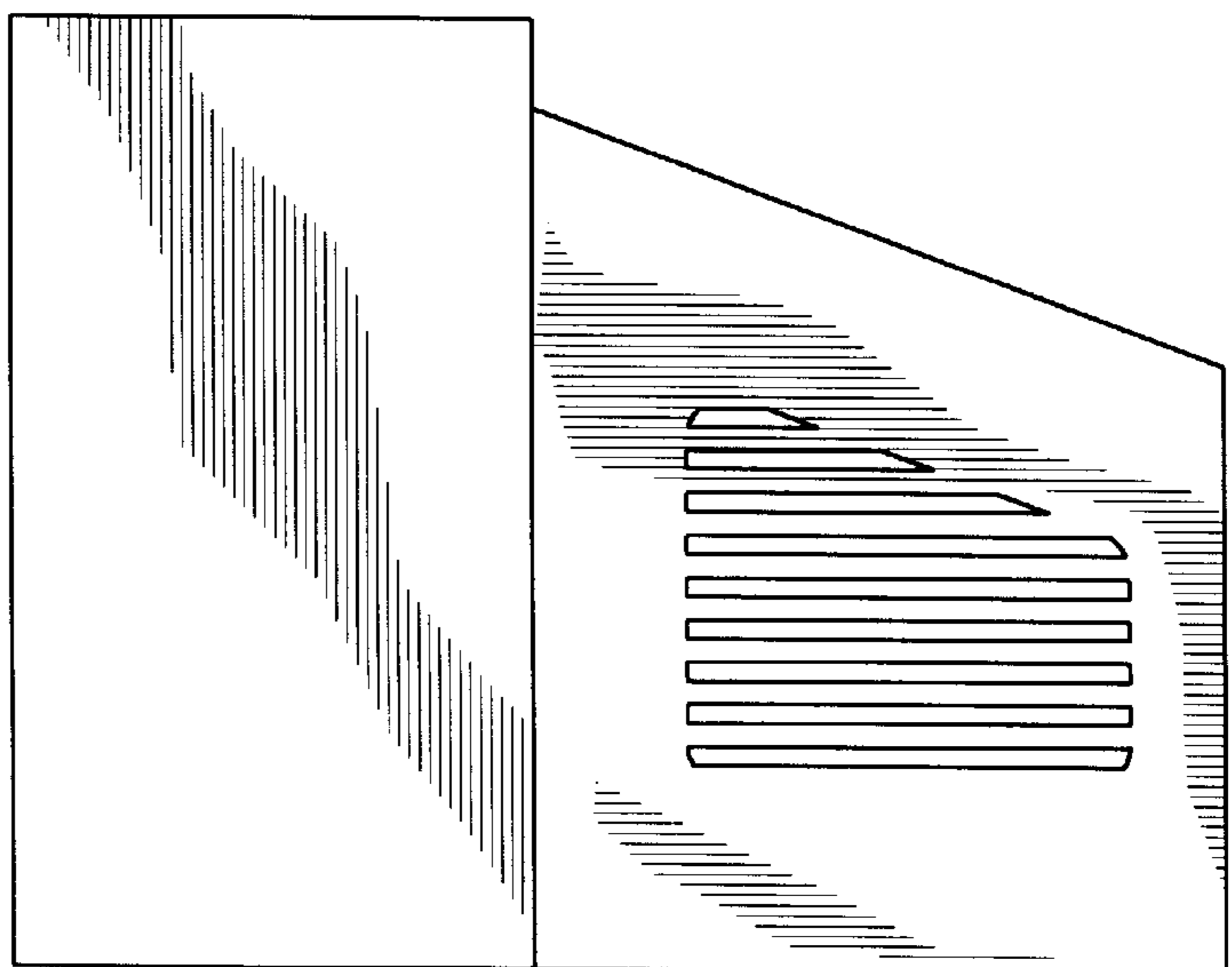


FIG. 5

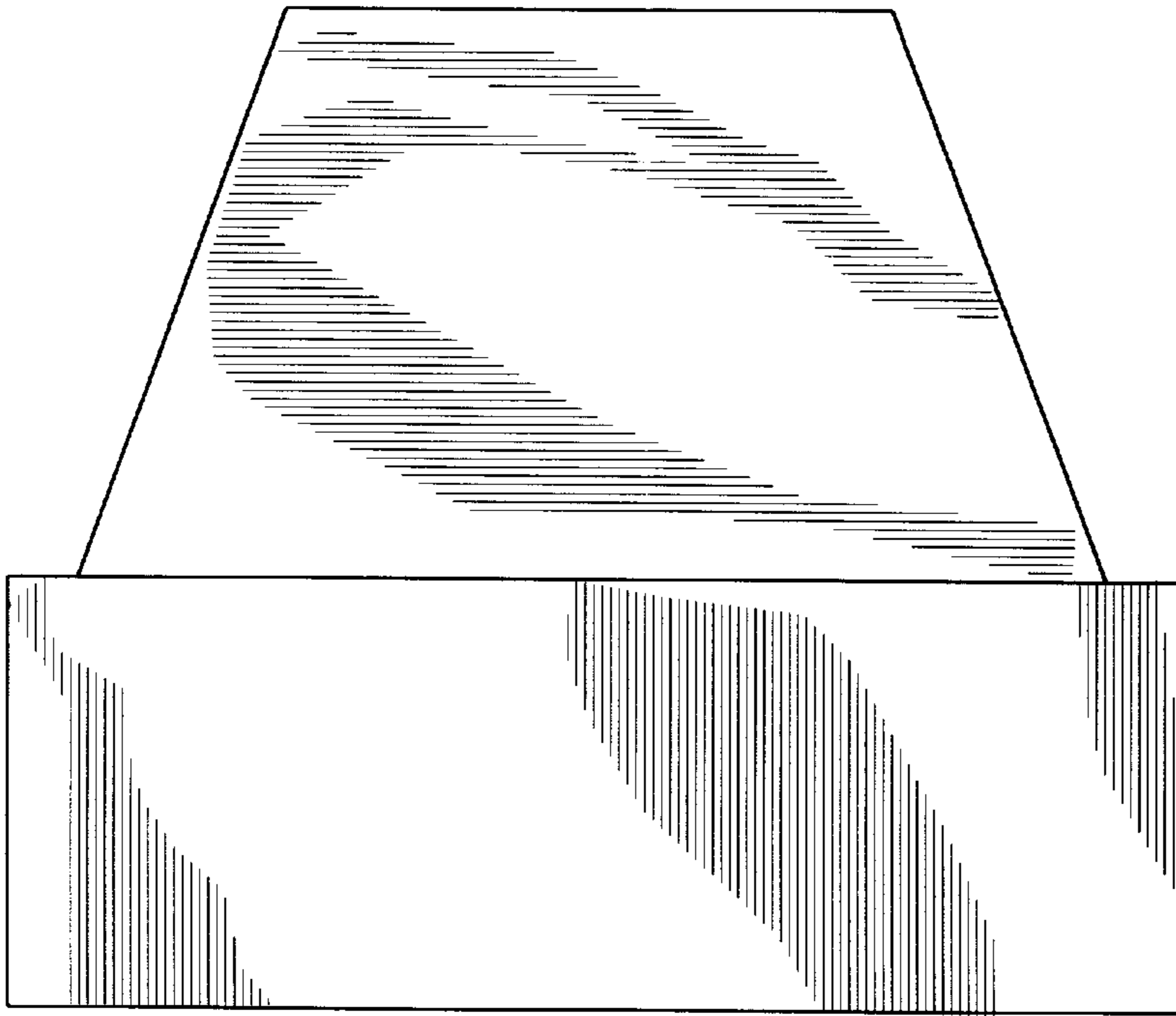


FIG. 6

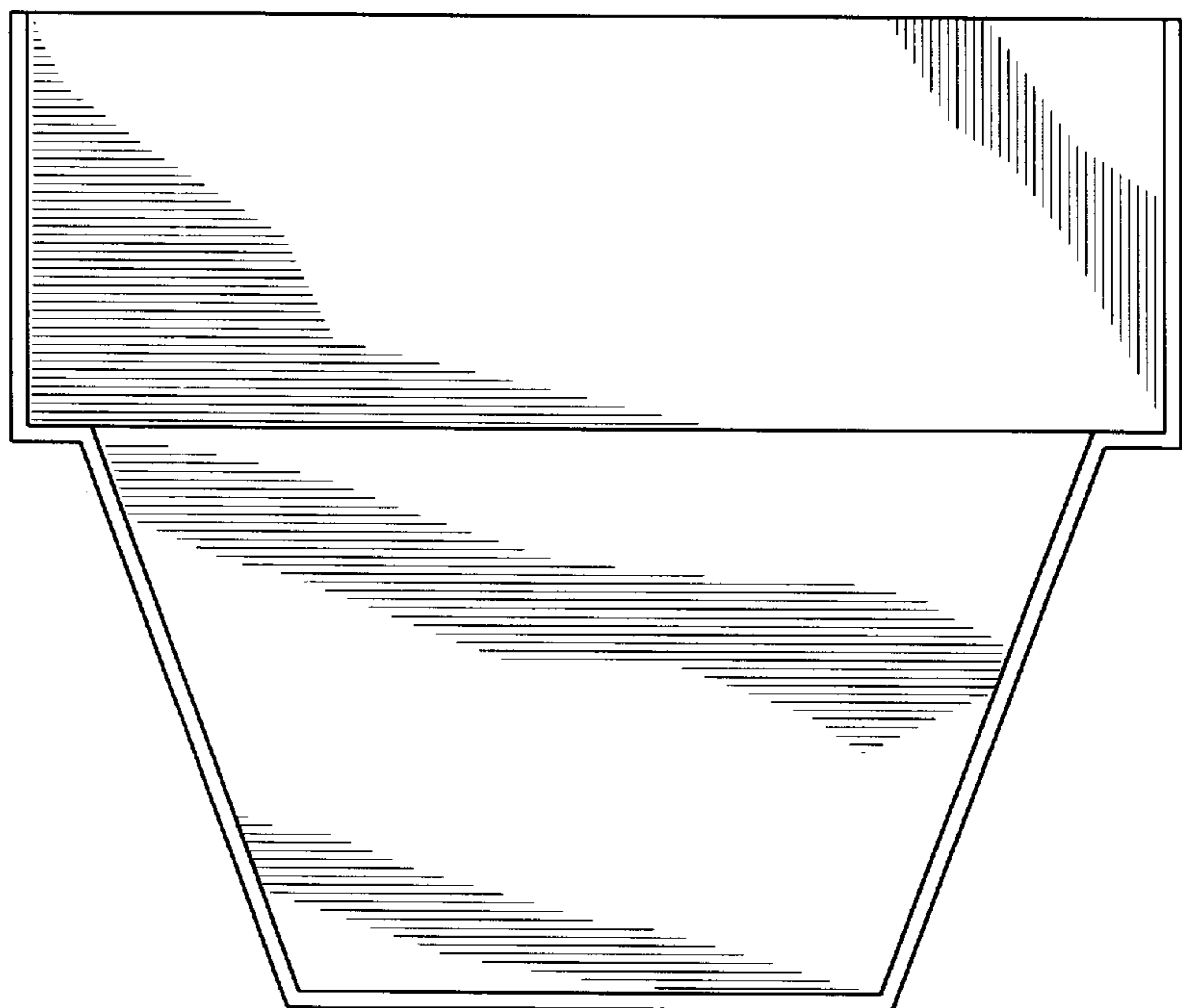


FIG. 7

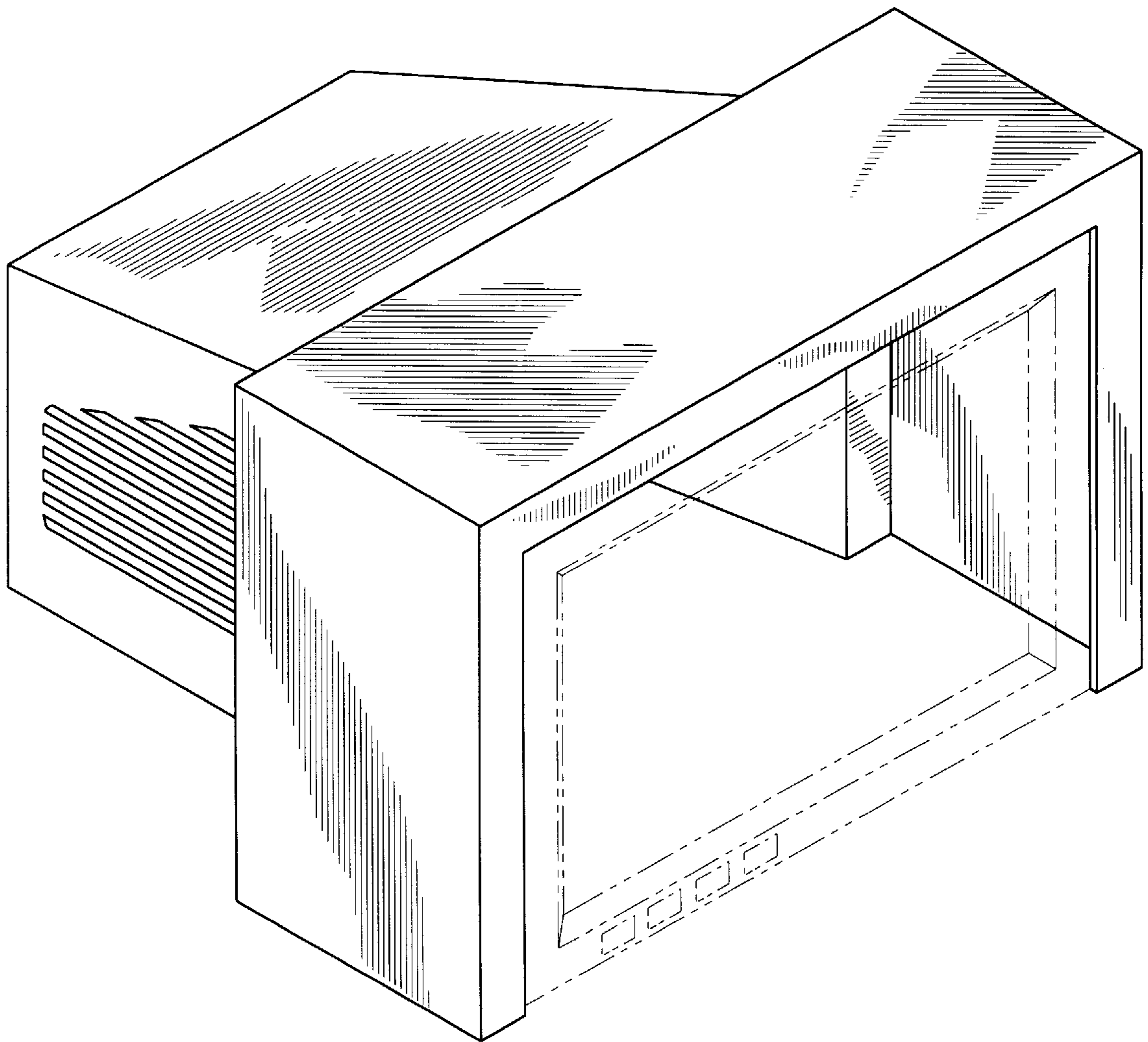


FIG. 8

