



US00D423479S

United States Patent [19]

[11] **Patent Number: Des. 423,479**

Alo et al.

[45] **Date of Patent: ** Apr. 25, 2000**

[54] **DISK DRIVE TRAY BEZEL**

D. 374,216	10/1996	Paul	D14/107
D. 383,736	9/1997	Corrington et al.	D14/109
4,754,397	6/1988	Varaiya et al.	361/685
4,941,841	7/1990	Darden et al.	361/685

[75] Inventors: **Roland K. Alo**, Cary, N.C.; **Timothy D. Wetzel**, Carlsbad, Calif.

[73] Assignee: **International Business Machines Corporation**, Armonk, N.Y.

Primary Examiner—Freda Nunn
Attorney, Agent, or Firm—Noreen A. Krall

[**] Term: **14 Years**

[57] CLAIM

[21] Appl. No.: **29/094,146**

The ornamental design for a disk drive tray bezel, as shown and described.

[22] Filed: **Sep. 24, 1998**

DESCRIPTION

[51] **LOC (6) Cl.** **14-02**

[52] **U.S. Cl.** **D14/114; D14/115**

[58] **Field of Search** D14/100, 102,
D14/107-109, 114; D13/162, 184, 199;
360/99.01, 99.12; 361/690-696, 685; 369/34,
36

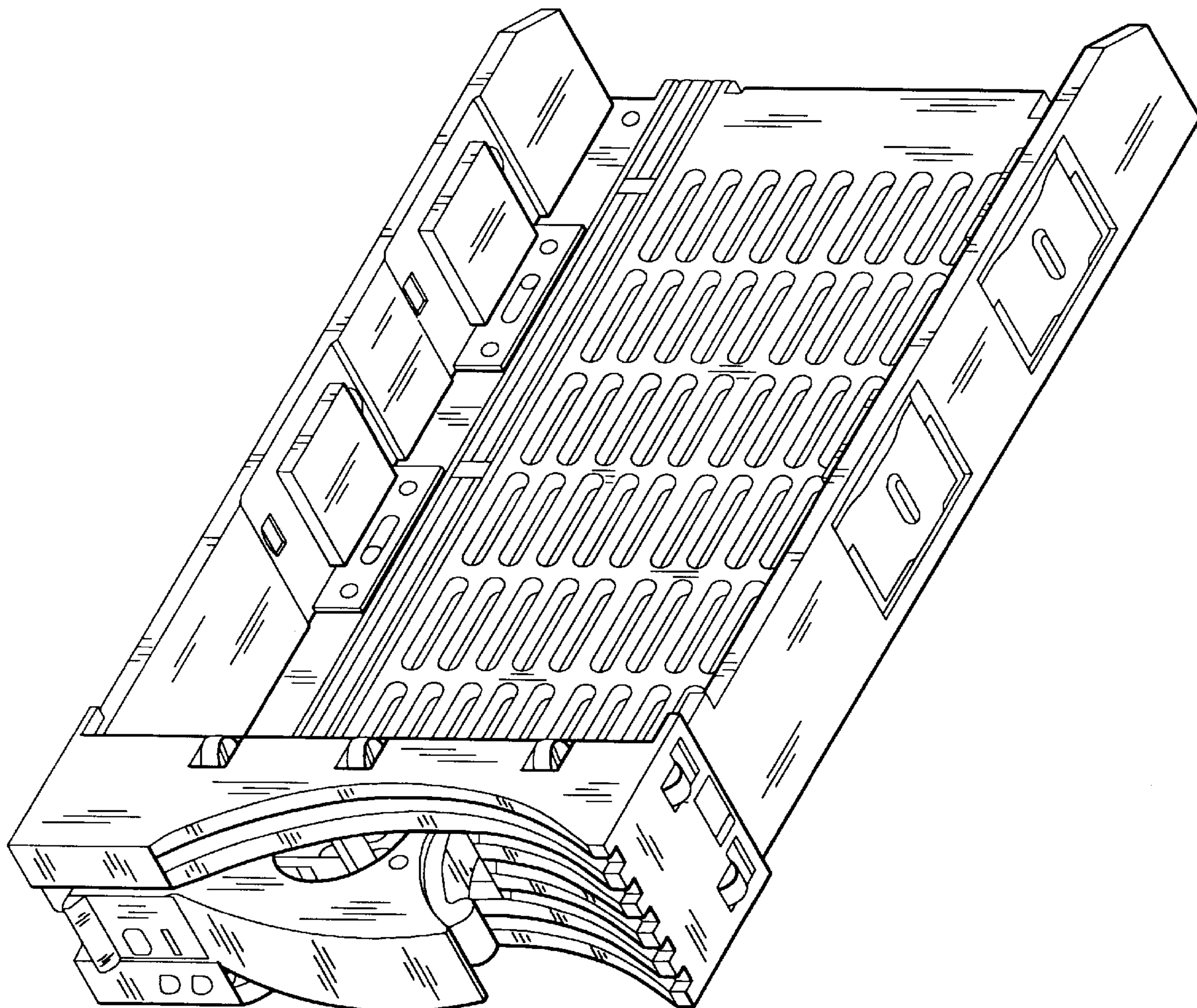
FIG. 1 is a top front and left side perspective view of the disk drive tray bezel showing our new design; and, FIG. 2 is a bottom front and left side perspective view thereof the undisclosed right side view is a mirror image. The areas of the tray which have not been completely disclosed in FIG. 1 are understood not to be part of the claimed design.

[56] References Cited

U.S. PATENT DOCUMENTS

D. 358,141 5/1995 Pecone et al. D14/109

1 Claim, 2 Drawing Sheets



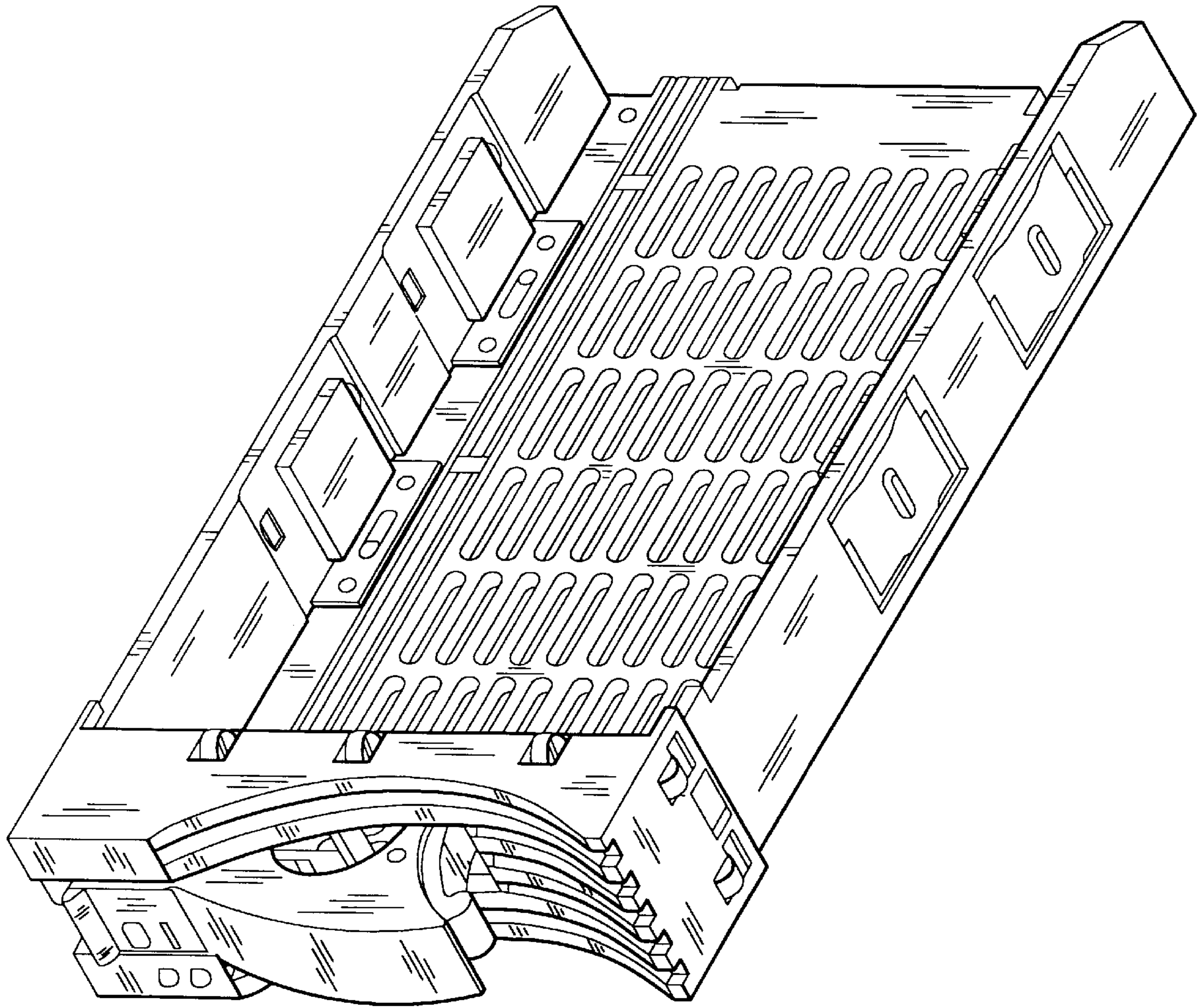


FIG. 1

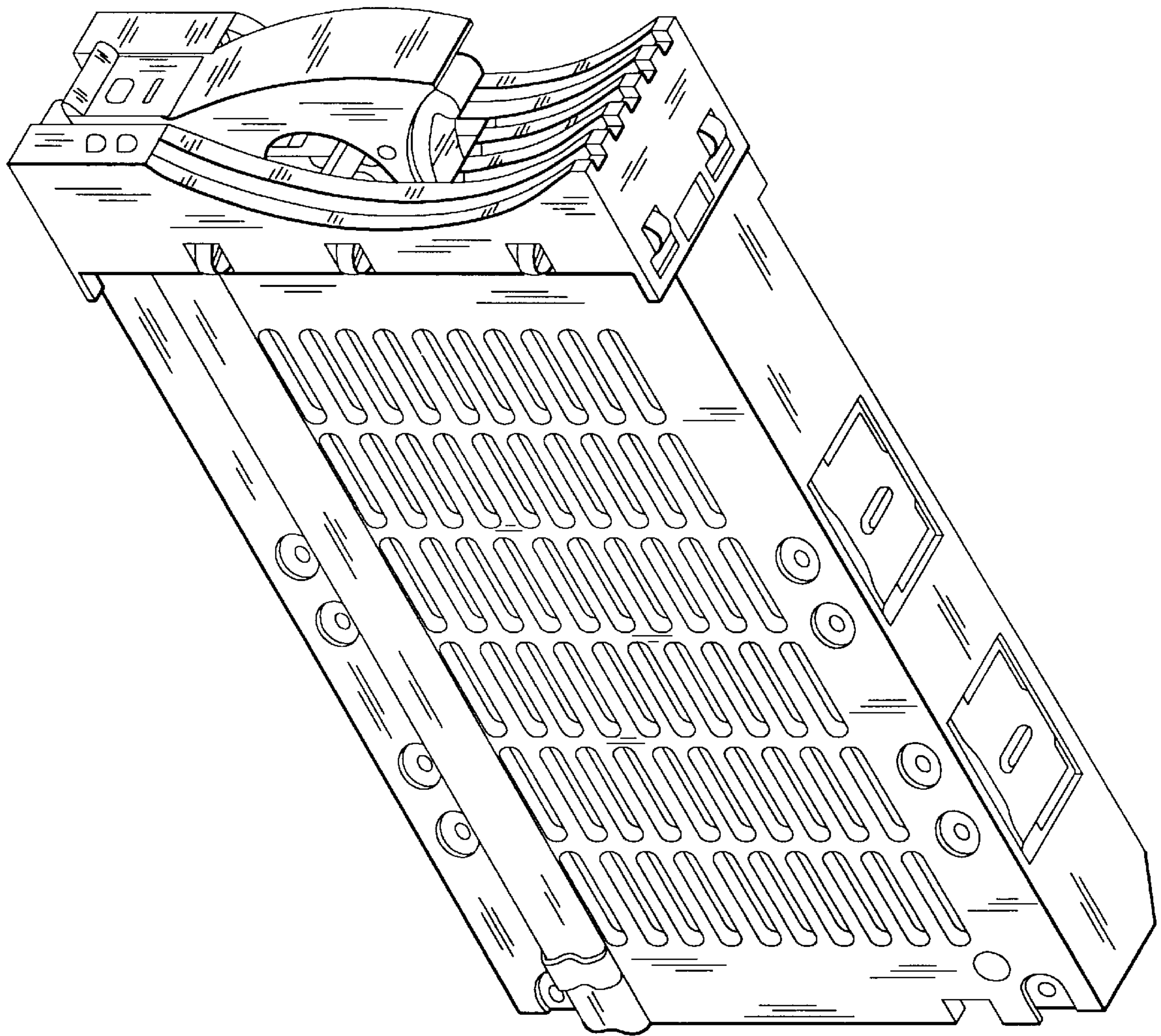


FIG. 2