



US00D423478S

# United States Patent [19]

[11] Patent Number: **Des. 423,478**

Feasey

[45] Date of Patent: **\*\* Apr. 25, 2000**

## [54] FLEXIBLE COMPUTER VIDEO MONITOR ANTI-GLARE HOOD

## DESCRIPTION

[76] Inventor: **Michael F. Feasey**, 701 Calle Cumbre, San Clemente, Calif. 92673

FIG. 1 is a bottom plan view of a flexible computer video monitor anti-glare hood showing my new design;

FIG. 2 is a front elevational view thereof;

[\*\*] Term: **14 Years**

FIG. 3 is a top plan view thereof;

FIG. 4 is a side elevational view thereof;

[21] Appl. No.: **29/090,158**

FIG. 5 is a perspective view thereof in a folded condition;

[22] Filed: **Jul. 1, 1998**

FIG. 6 is a front perspective view thereof showing the design conforming to a rectangular monitor which is shown in broken lines;

[51] LOC (6) Cl. .... **14-02**

[52] U.S. Cl. .... **D14/114**

[58] Field of Search ..... D14/114, 239; 359/601; 348/373, 832

FIG. 7 is a rear perspective view of FIG. 6;

FIG. 8 is a front perspective view thereof showing the design conforming to a different monitor shape;

FIG. 9 is a rear perspective view of FIG. 8;

## [56] References Cited

### U.S. PATENT DOCUMENTS

D. 305,648	1/1990	Edington	.....	D14/114
D. 379,178	5/1997	Kane	.....	D14/114
D. 385,543	10/1997	Phirippidis et al.	.....	D14/114
5,115,345	5/1992	Hobson et al.	.....	359/601
5,233,468	8/1993	McNulty	.....	359/601
5,243,463	9/1993	Waintroob	.....	359/601
5,589,985	12/1996	Heller et al.	.....	359/608

FIG. 10 is an enlarged front elevational view of FIG. 8 showing the detailed appearance of the grooves;

FIG. 11 is a front perspective view thereof showing the design conforming to another monitor shape;

FIG. 12 is a rear perspective view of FIG. 11;

FIG. 13 is a front perspective view thereof showing the design conforming to another monitor shape;

FIG. 14 is a rear perspective view of FIG. 13; and,

FIG. 15 is an enlarged front elevational view of FIG. 13.

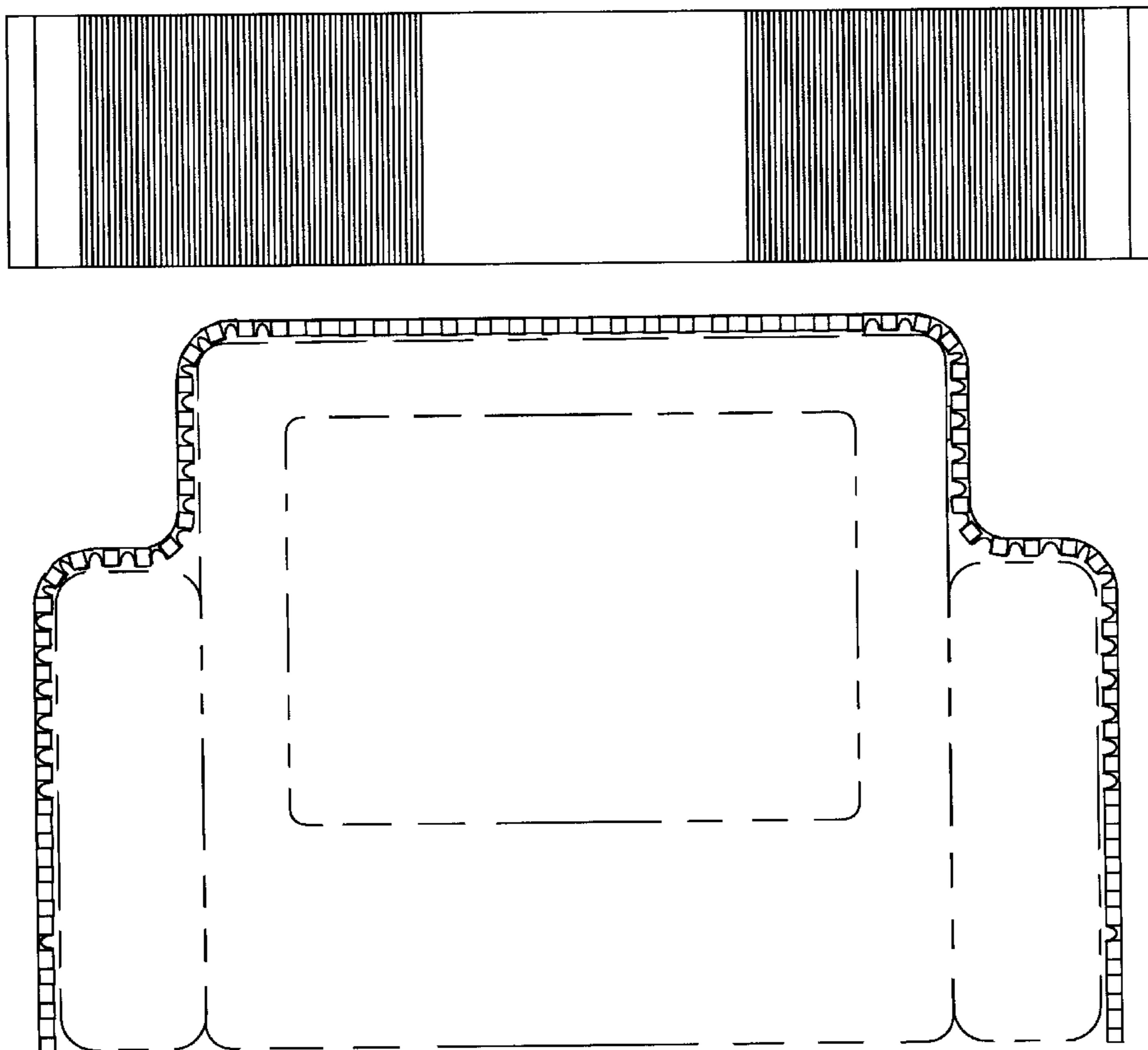
The broken lines are shown in views for illustrative purposes only and form no part of the claimed design.

Primary Examiner—Kay H. Chin

## [57] CLAIM

The ornamental design for a flexible computer video monitor anti-glare hood, as shown and described.

**1 Claim, 5 Drawing Sheets**



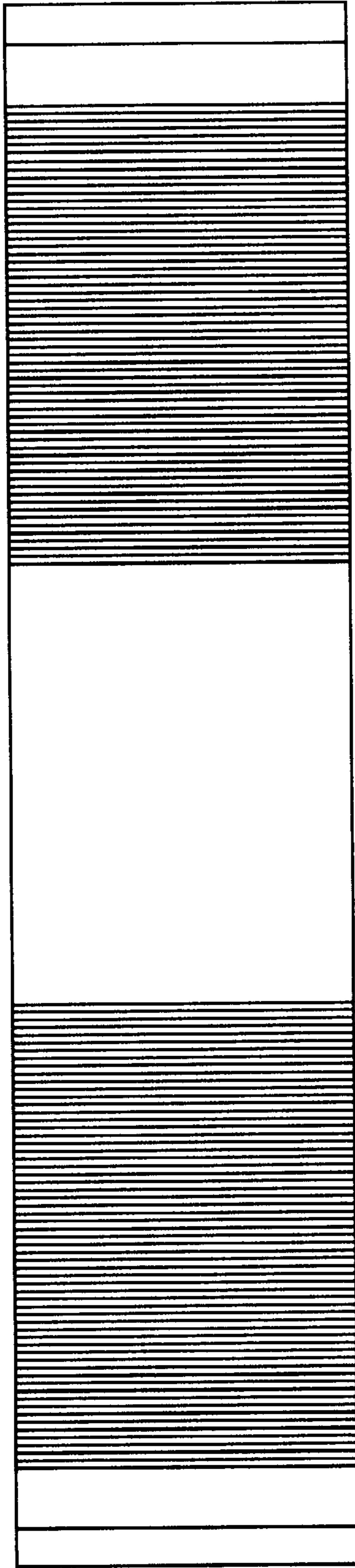


Fig. 1

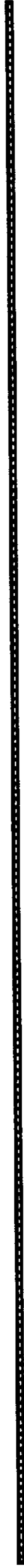


Fig. 2

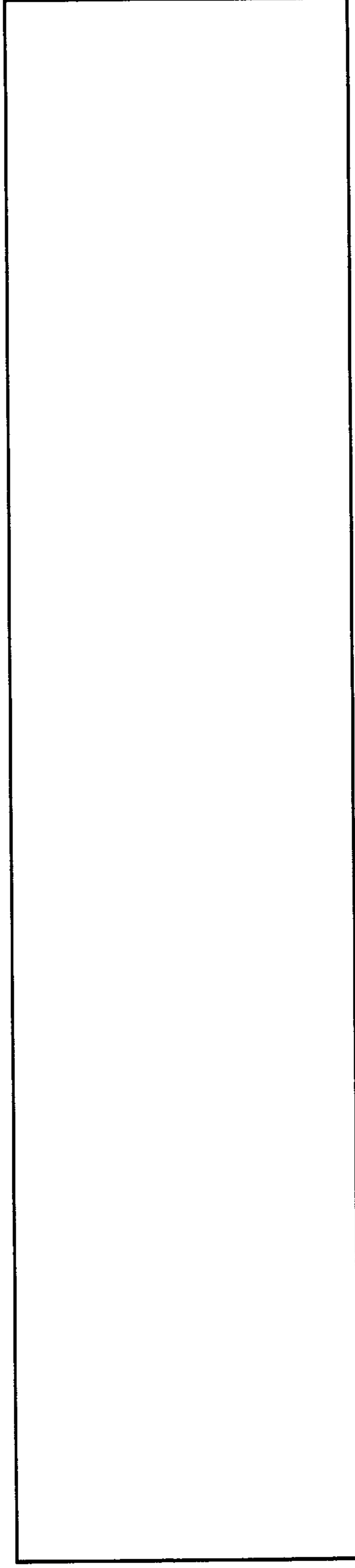
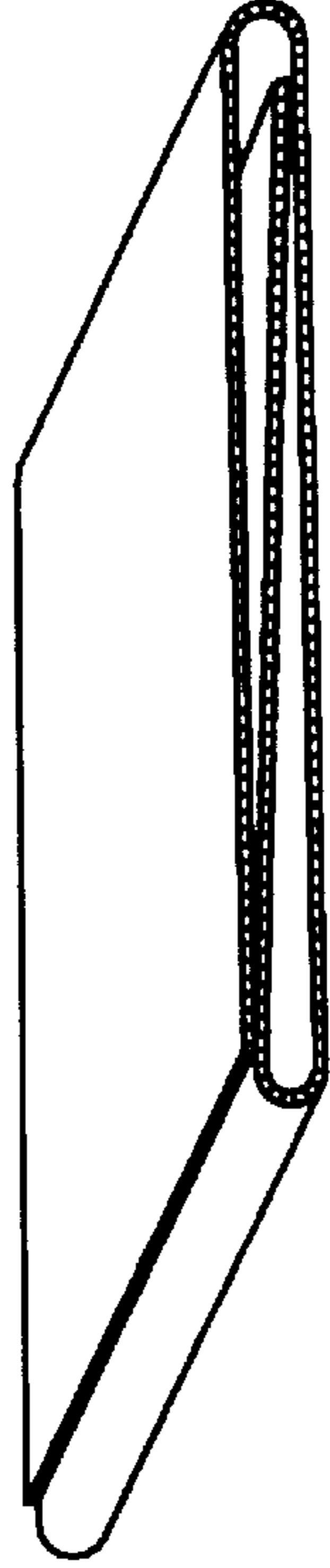


Fig. 3

Fig. 4



Fig. 5



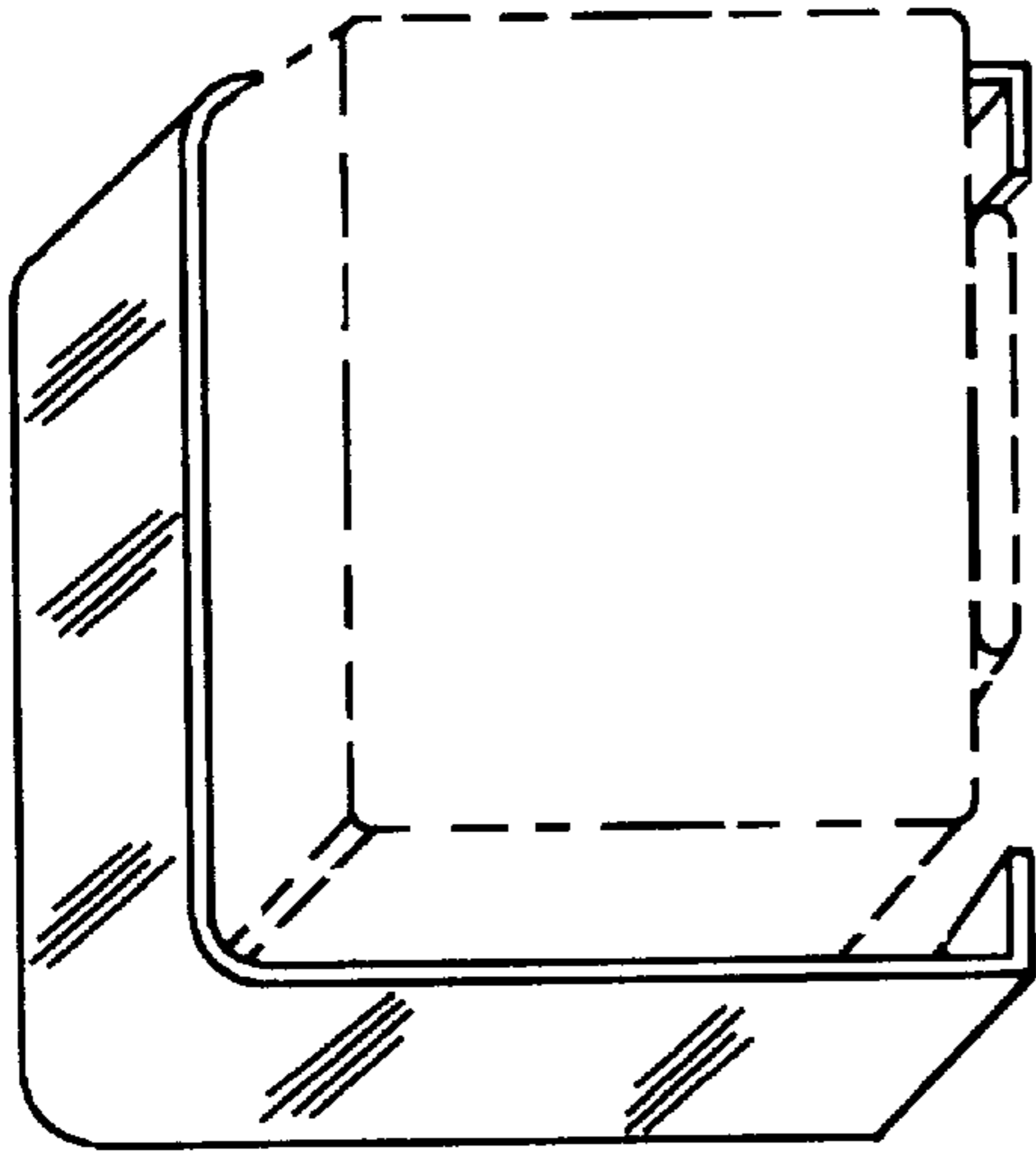


Fig. 7

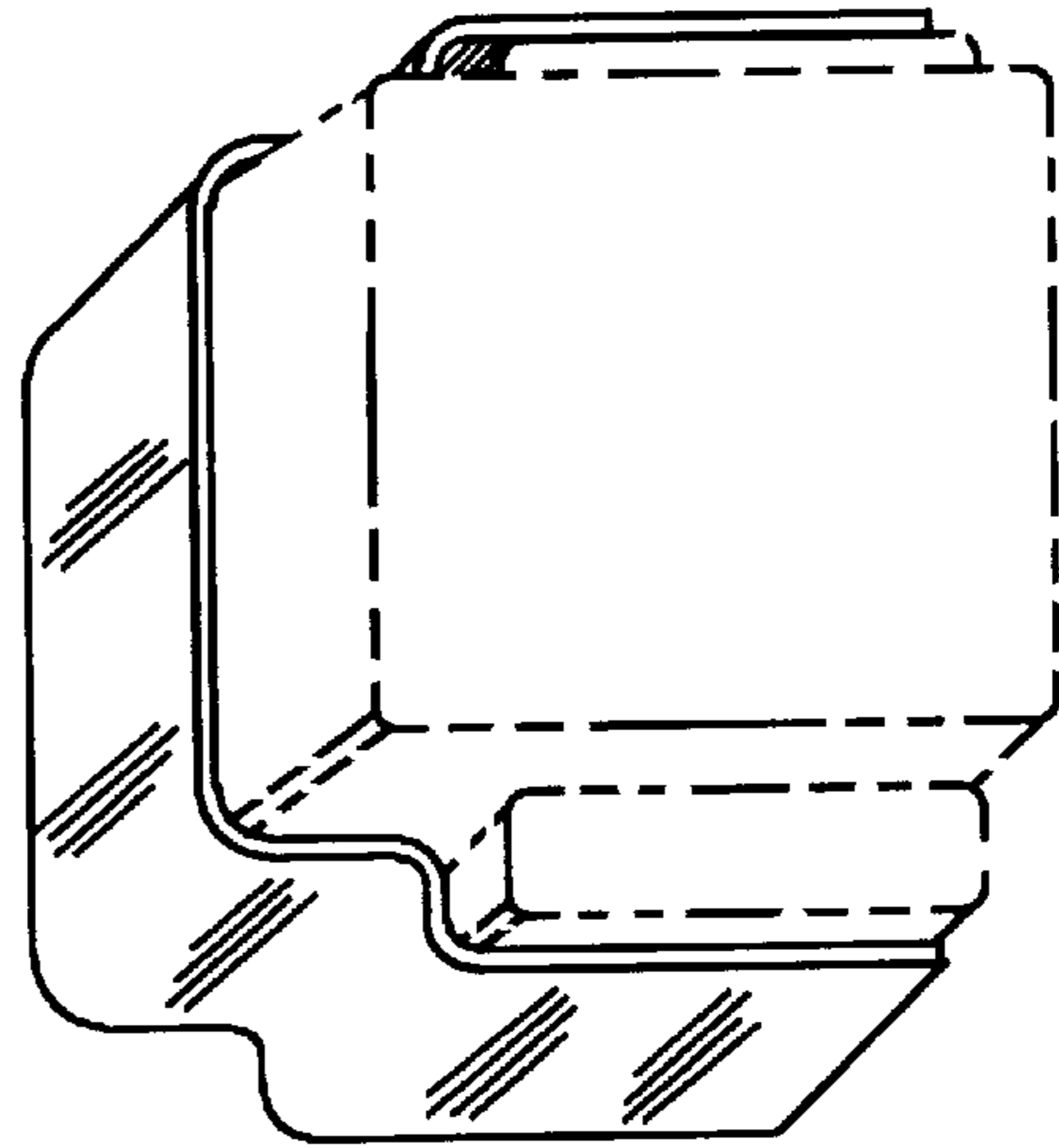


Fig. 9

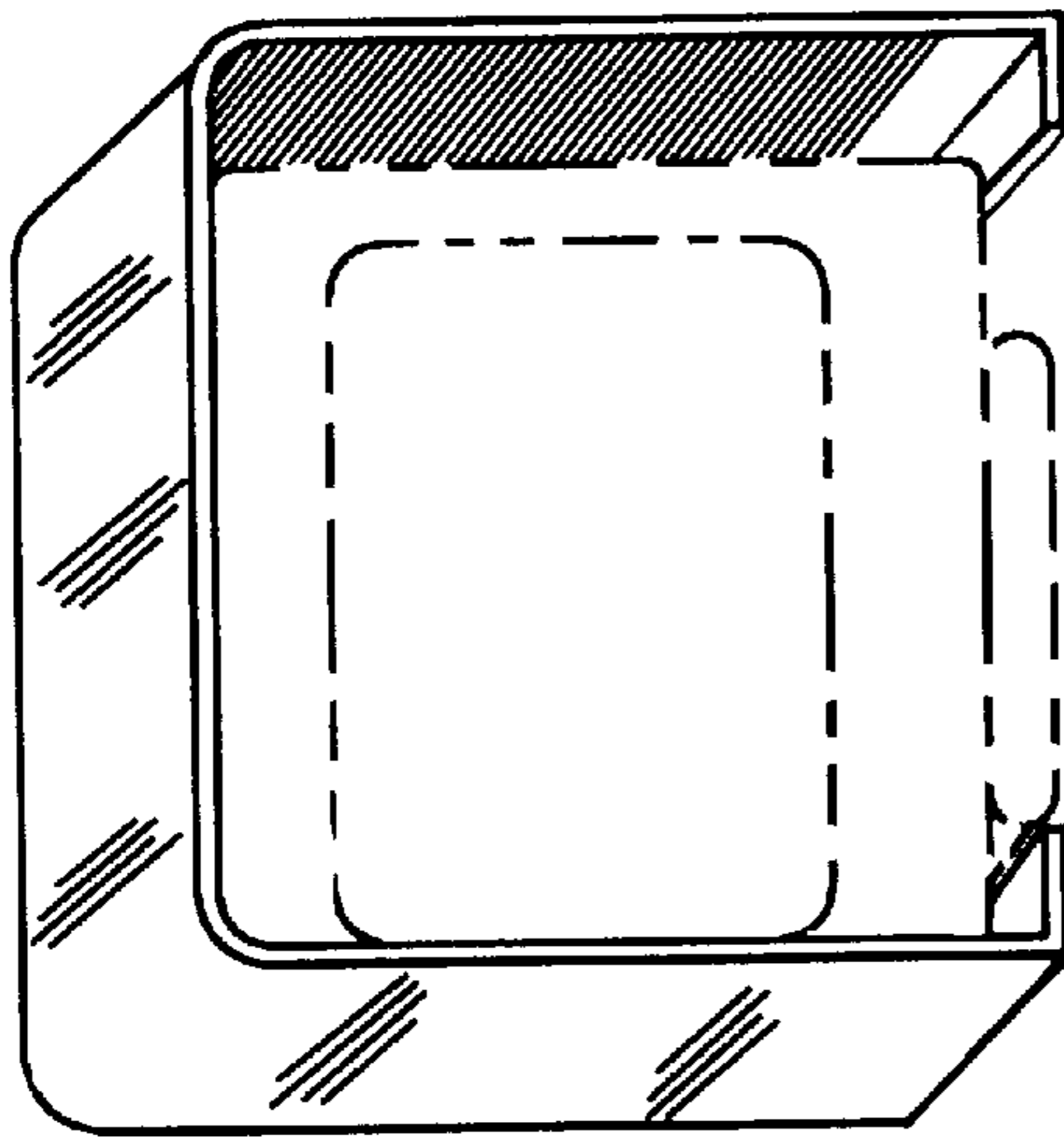


Fig. 6

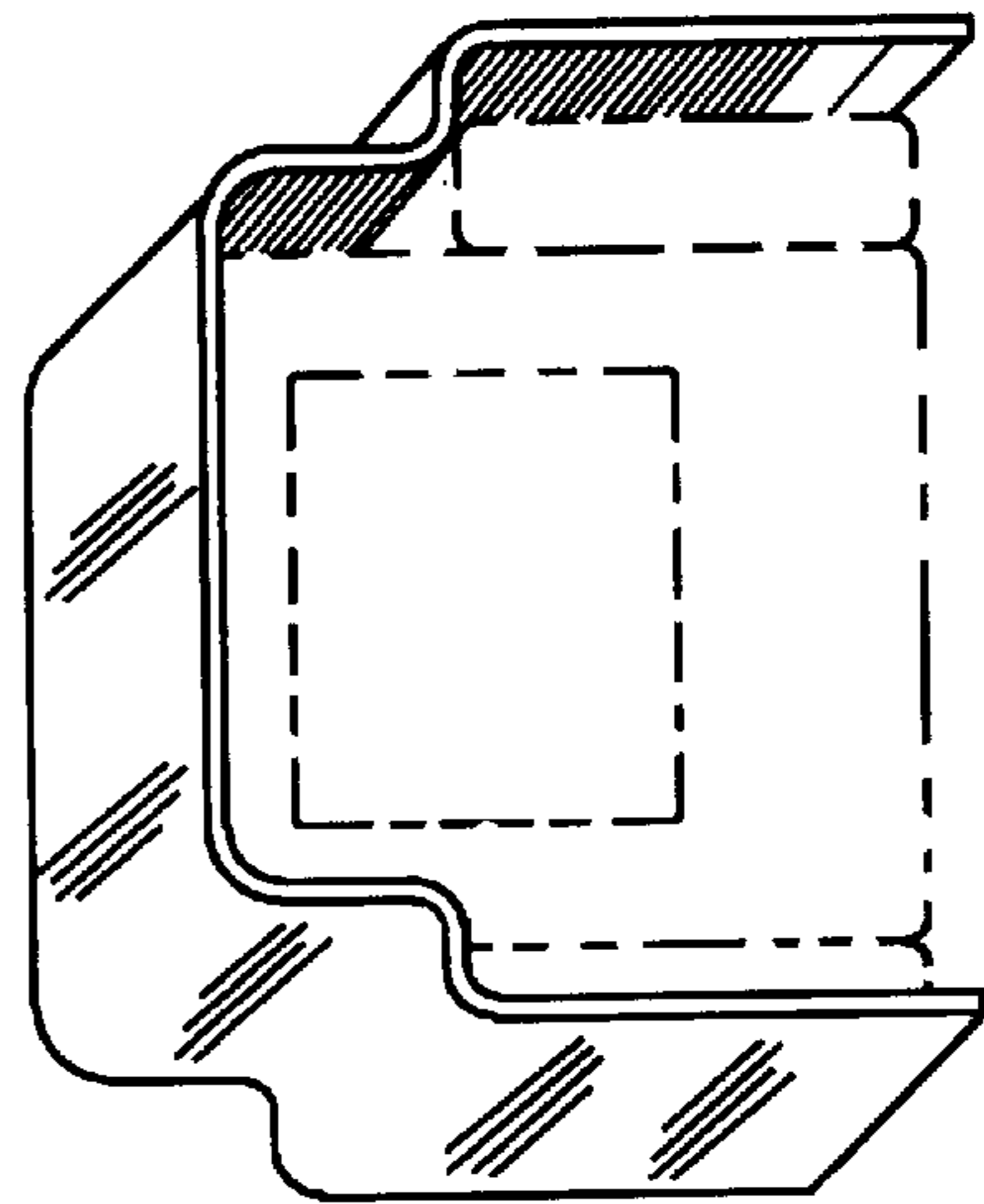


Fig. 8

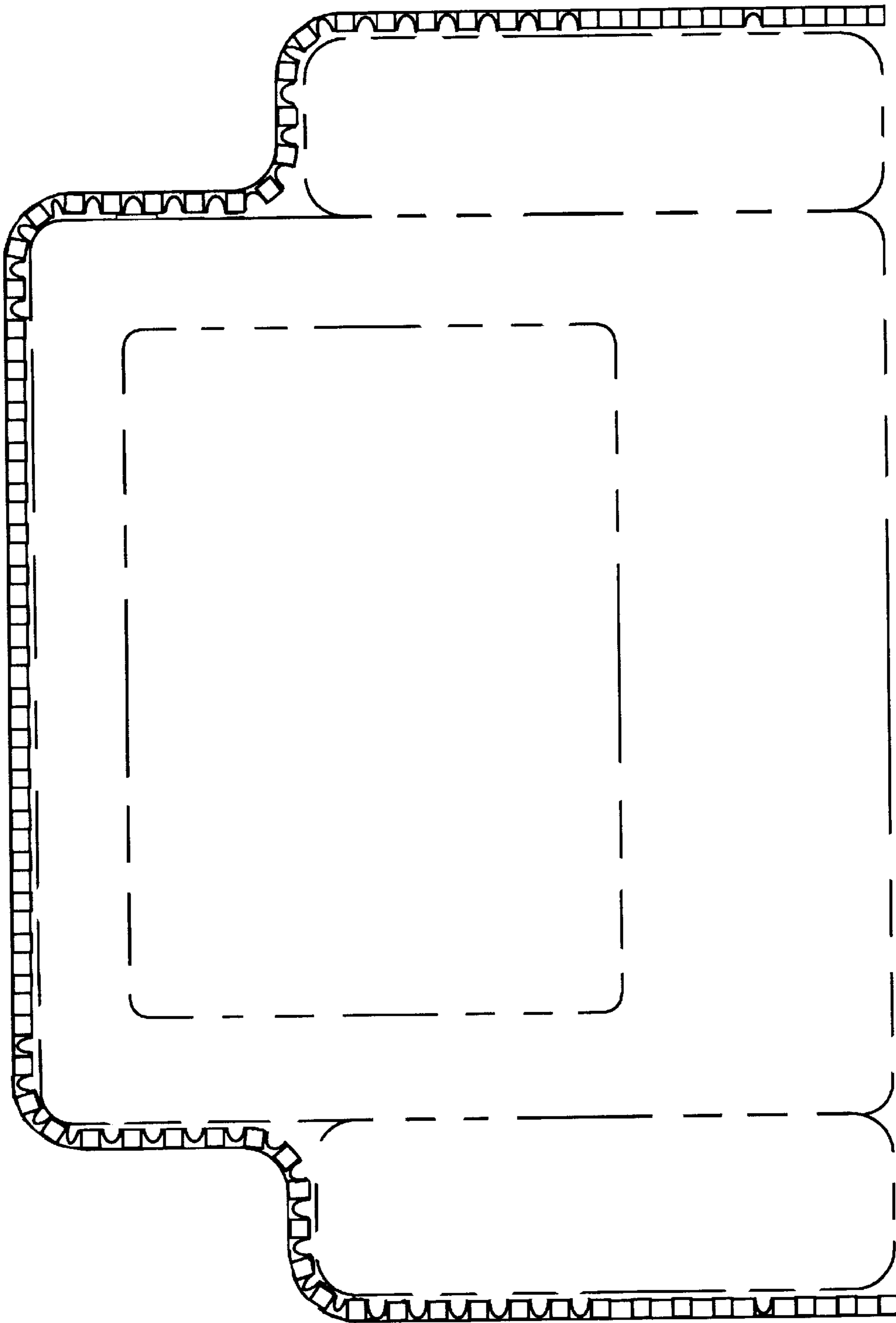


Fig. 10

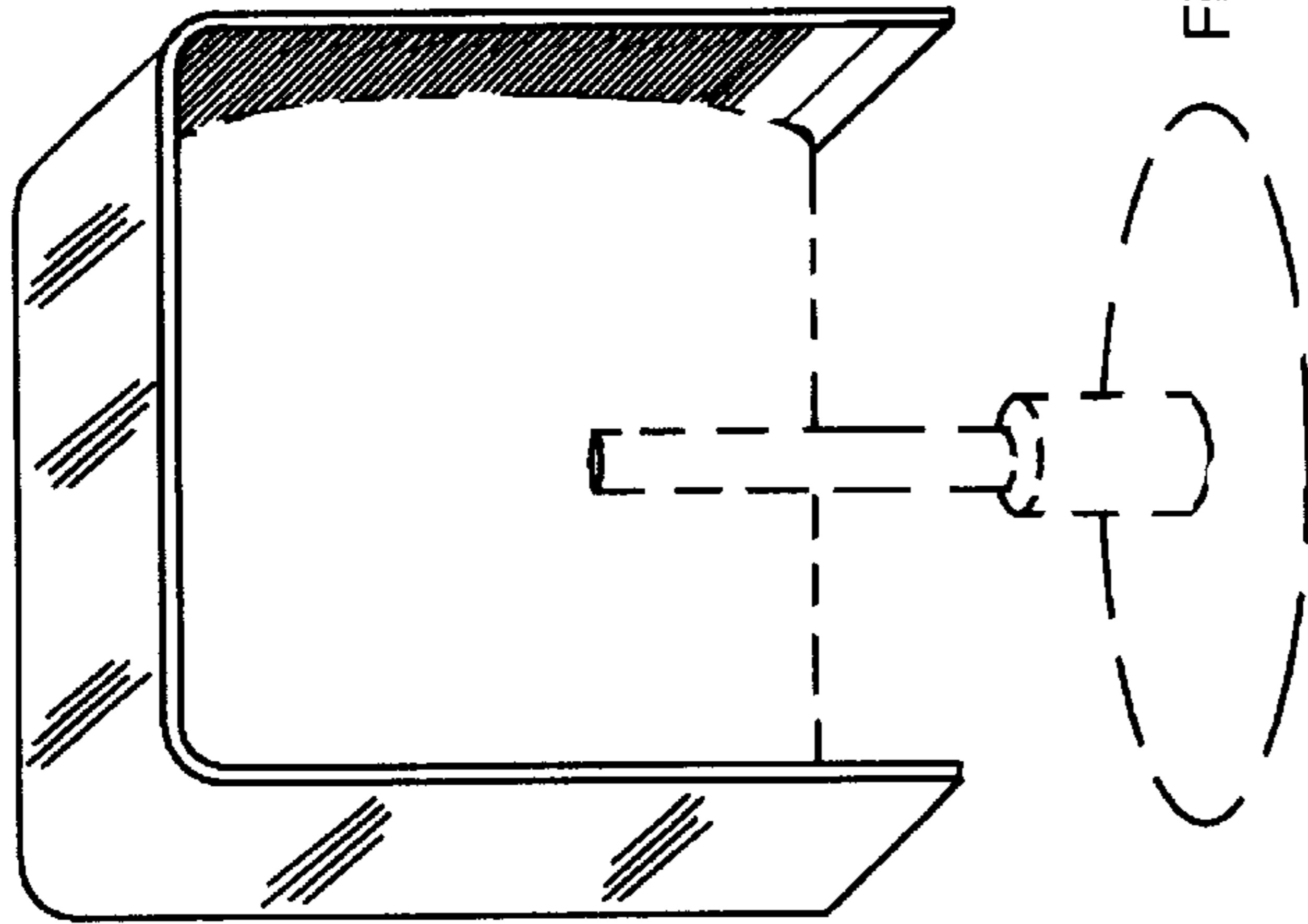


Fig. 12

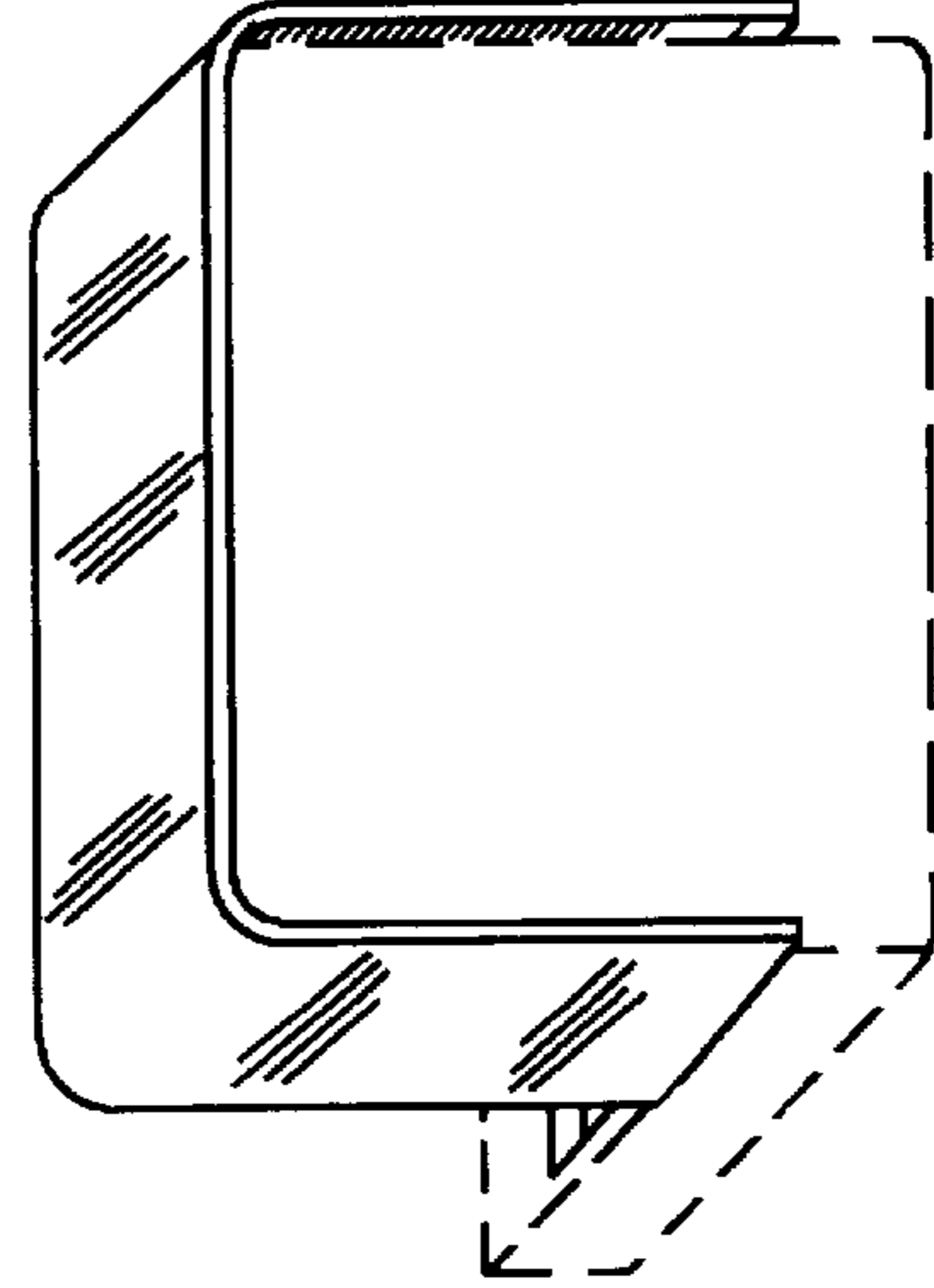


Fig. 14

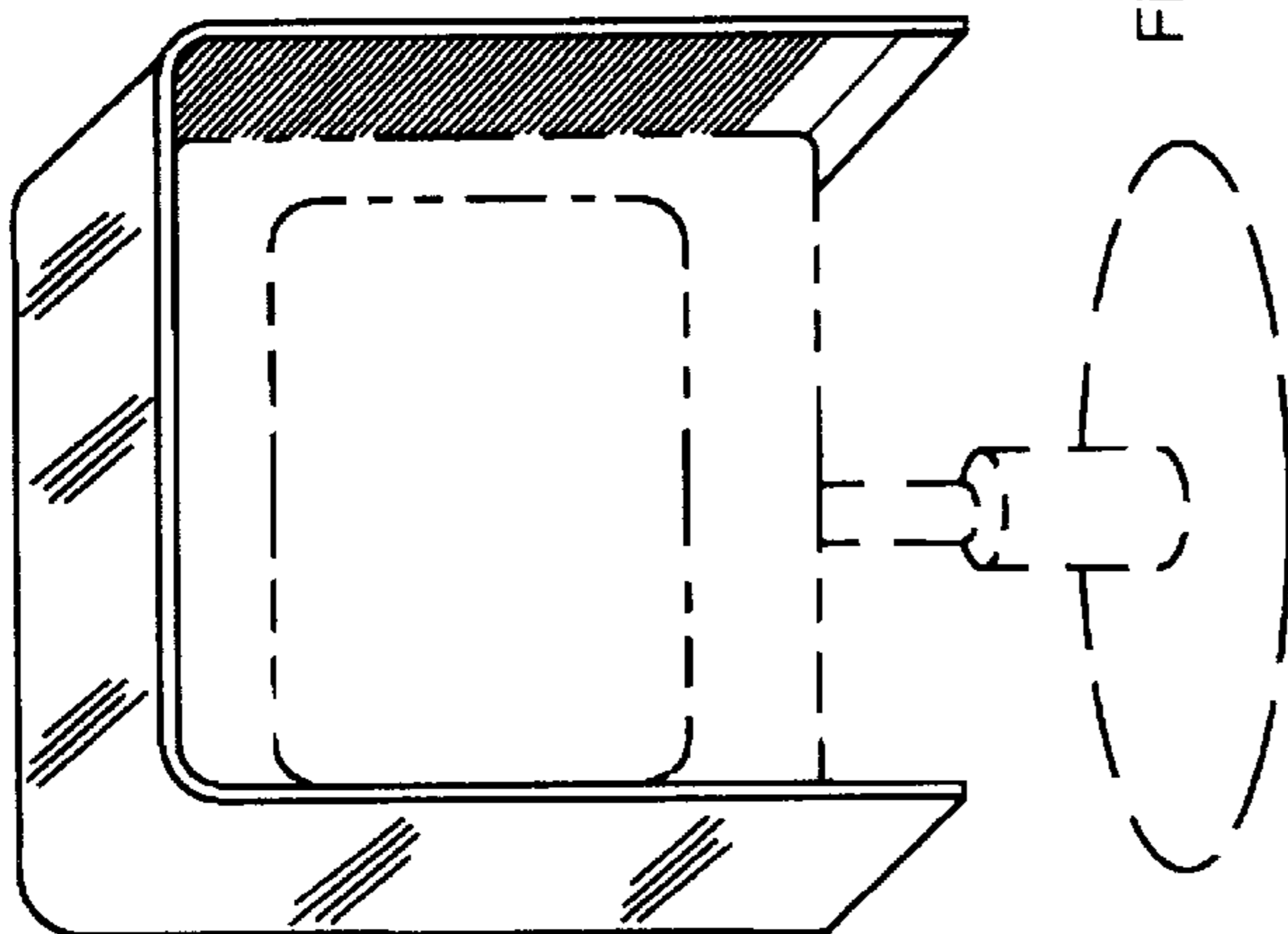


Fig. 11

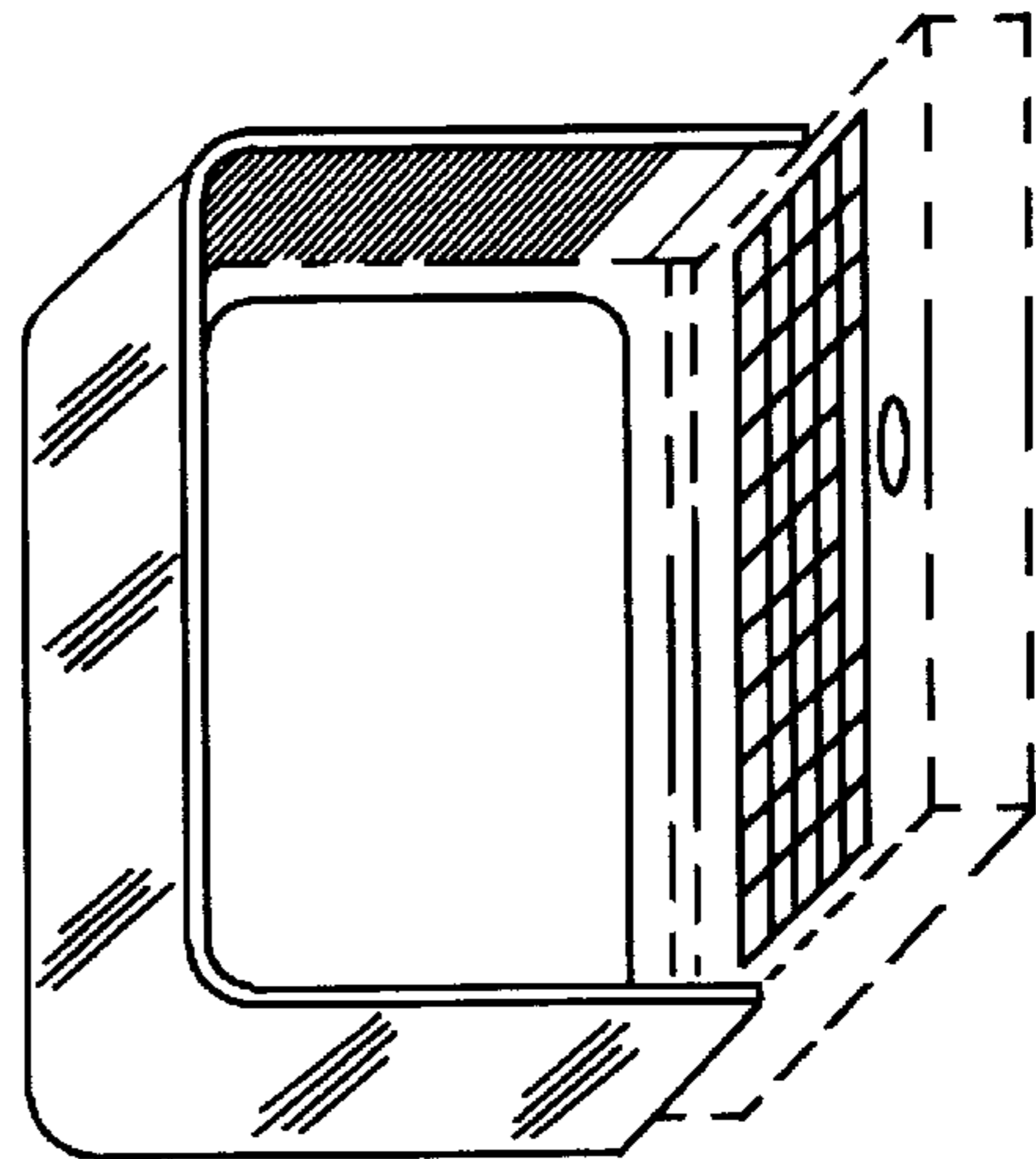


Fig. 13

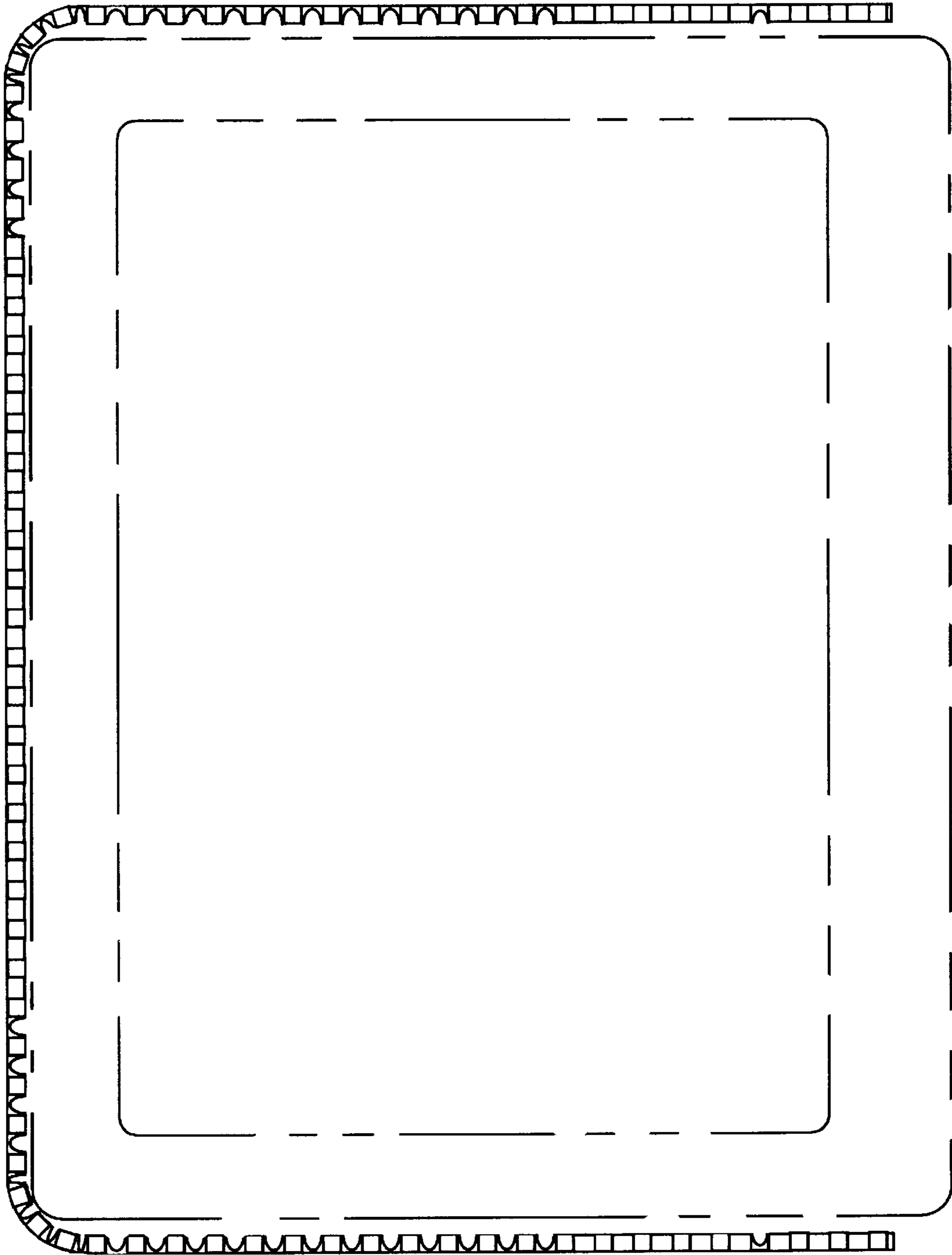


Fig. 15