



US00D423475S

United States Patent [19] Maruyama et al.

[11] **Patent Number: Des. 423,475**

[45] **Date of Patent: ** Apr. 25, 2000**

[54] **COMPUTER DISPLAY**

[75] Inventors: **Yukinobu Maruyama**, Kokubunji;
Yukio Kuroiwa, Higashimurayama;
Taisuke Kashima, Urawa; **Tomokatsu Saito**, Yokosuka; **Takeshi Katayama**,
Kawasaki, all of Japan

[73] Assignee: **Hitachi, Ltd.**, Tokyo, Japan

[**] Term: **14 Years**

[21] Appl. No.: **29/099,909**

[22] Filed: **Jan. 29, 1999**

[30] **Foreign Application Priority Data**

Aug. 3, 1998 [JP] Japan 10-22013

[51] **LOC (6) Cl.** **14-02**

[52] **U.S. Cl.** **D14/113; D14/126**

[58] **Field of Search** D14/100, 101,
D14/113, 124-129; 345/104, 133, 156,
168, 87, 173; 348/180, 184, 325, 739; 248/917-924;
341/12; 349/1, 2, 11, 62

[56] **References Cited**

U.S. PATENT DOCUMENTS

D. 326,847 6/1992 Savio D14/113

D. 401,574 11/1998 Leman et al. D14/113
D. 401,575 11/1998 Chuo D14/113

Primary Examiner—Freda Nunn
Attorney, Agent, or Firm—Antonelli, Terry, Stout & Kraus,
LLP

[57] **CLAIM**

The ornamental design for a computer display, as shown and described.

DESCRIPTION

FIG. 1 is a front, top and right side perspective view of a computer display showing our new design; FIG. 2 is a rear, top and left side perspective view thereof; FIG. 3 is a front elevational view thereof; FIG. 4 is a right side elevational view thereof; FIG. 5 is a top plan view thereof; FIG. 6 is a bottom view thereof; FIG. 7 is a rear elevational view thereof; FIG. 8 is a left side elevational view thereof; FIG. 9 is a right side elevational view showing the body thereof tilted backward; and, FIG. 10 is a right side elevational view showing the body thereof tilted forward.

1 Claim, 5 Drawing Sheets

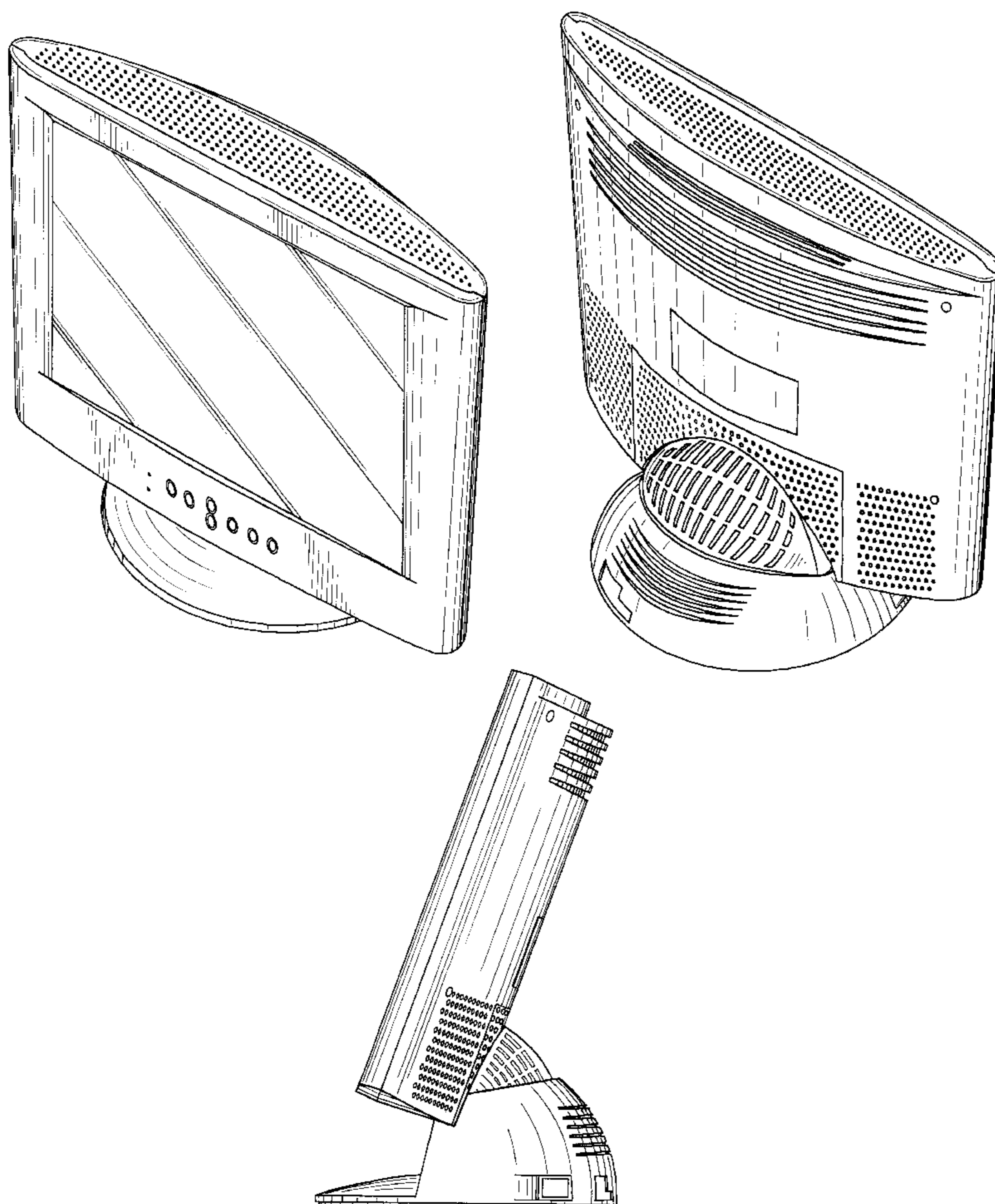


FIG. 2

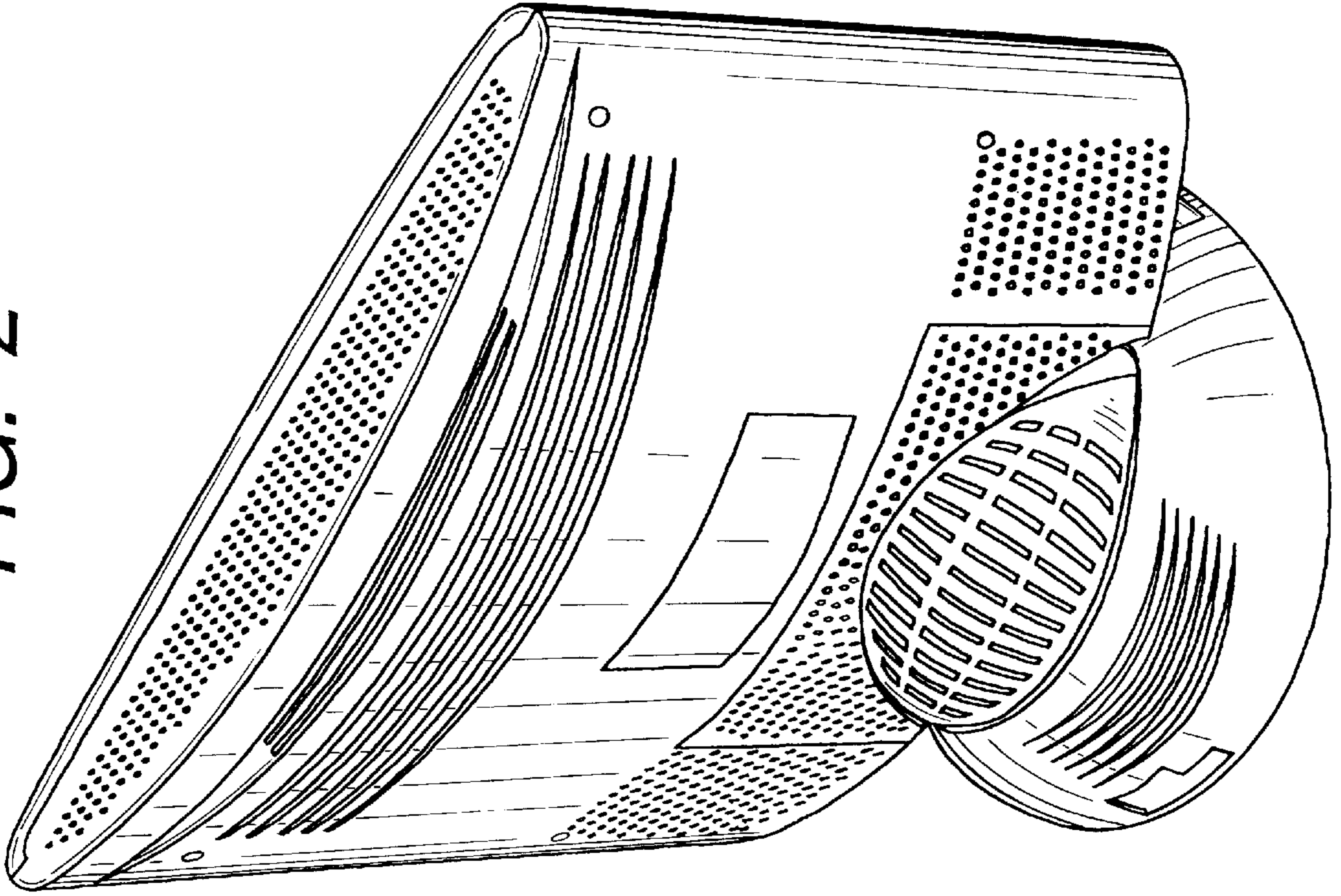


FIG. 1

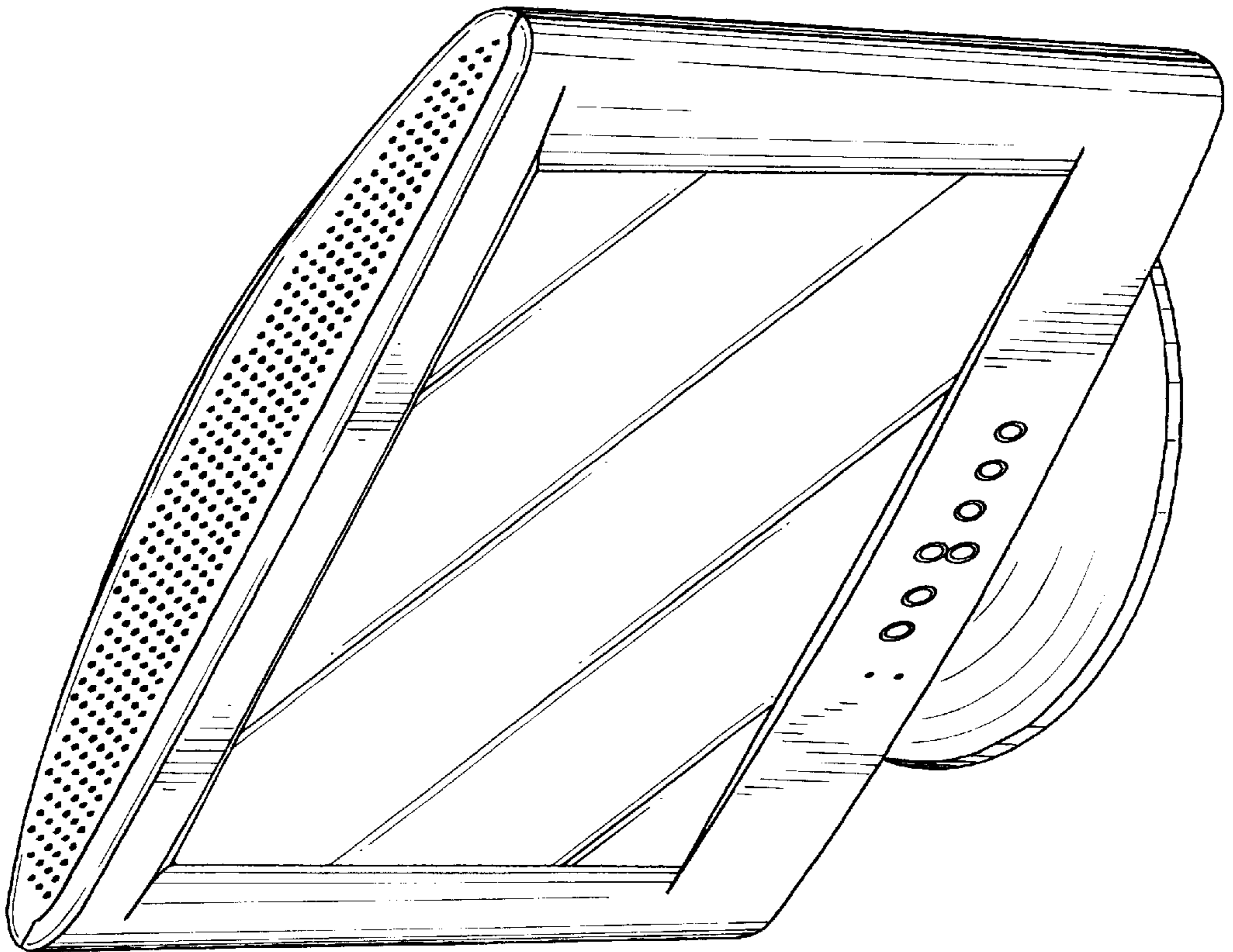


FIG. 4

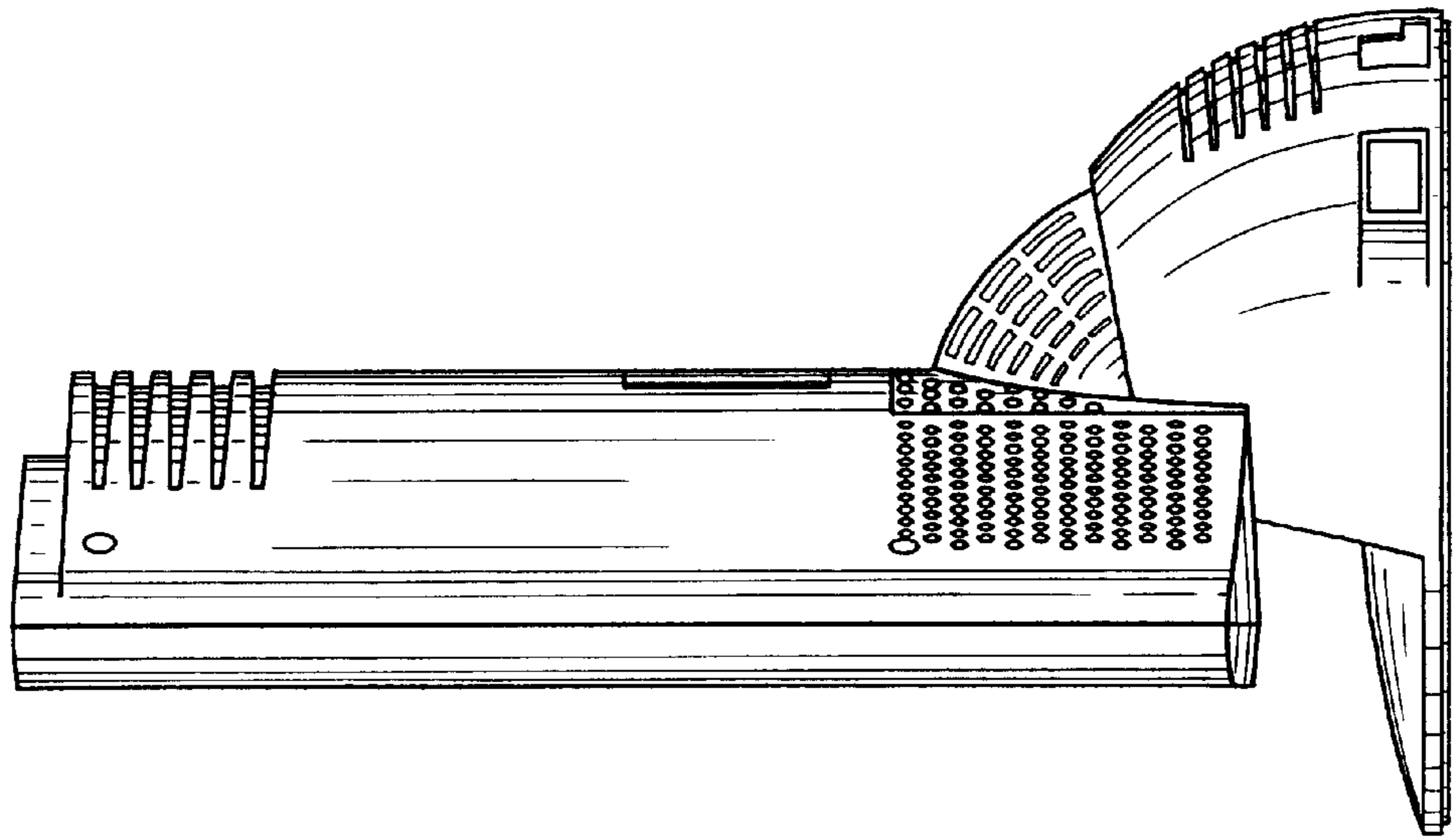


FIG. 3

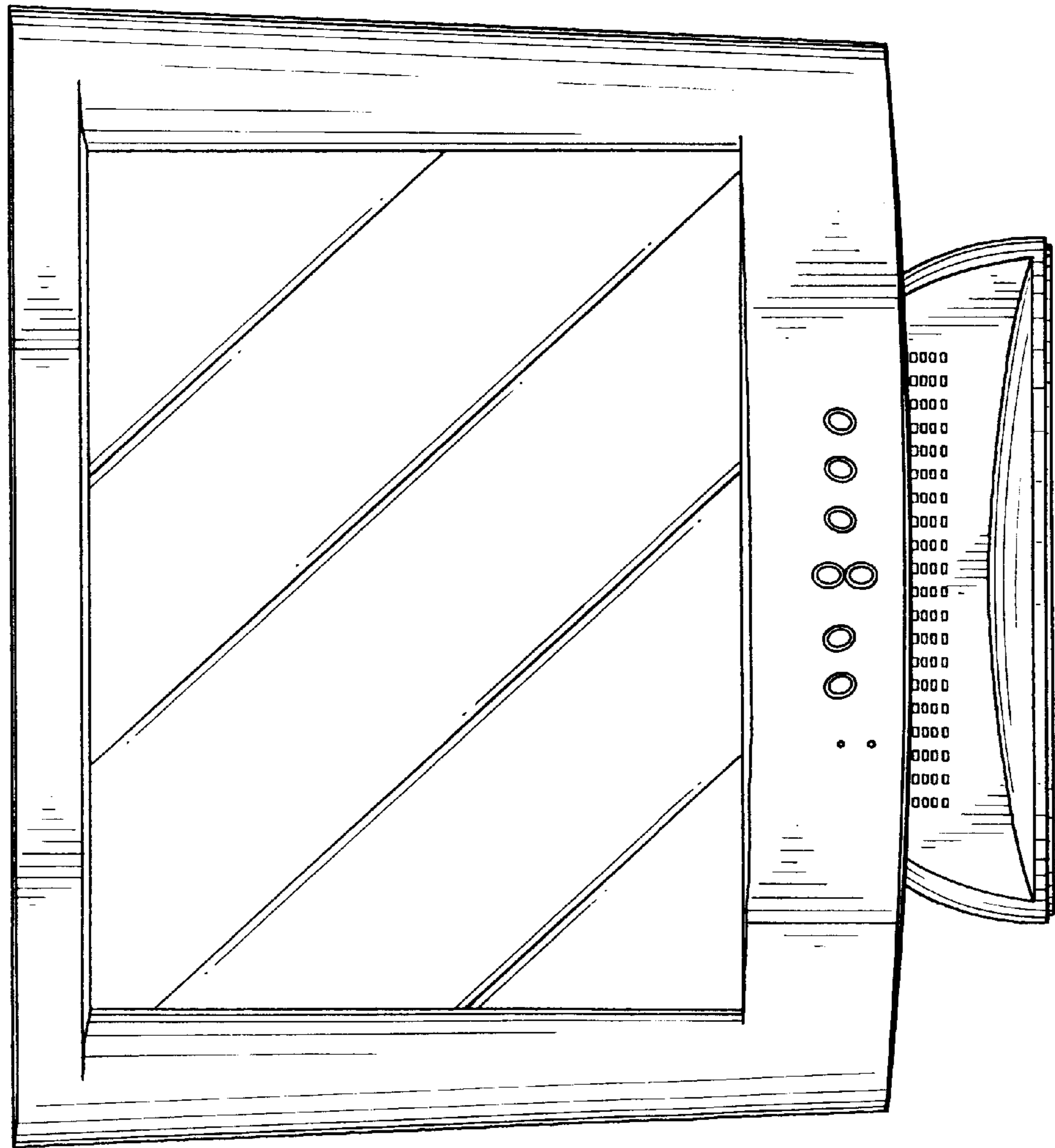


FIG. 5

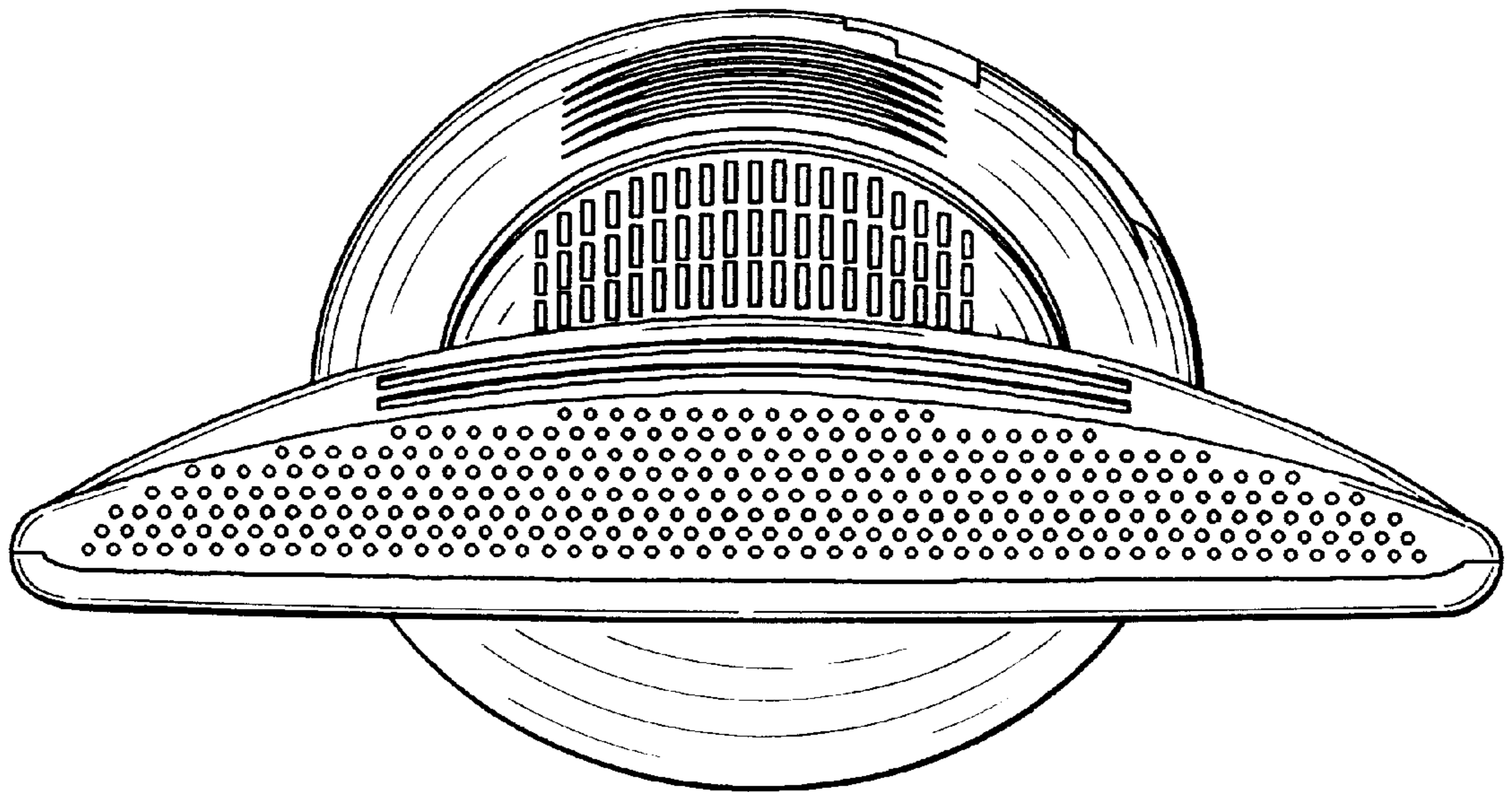


FIG. 6

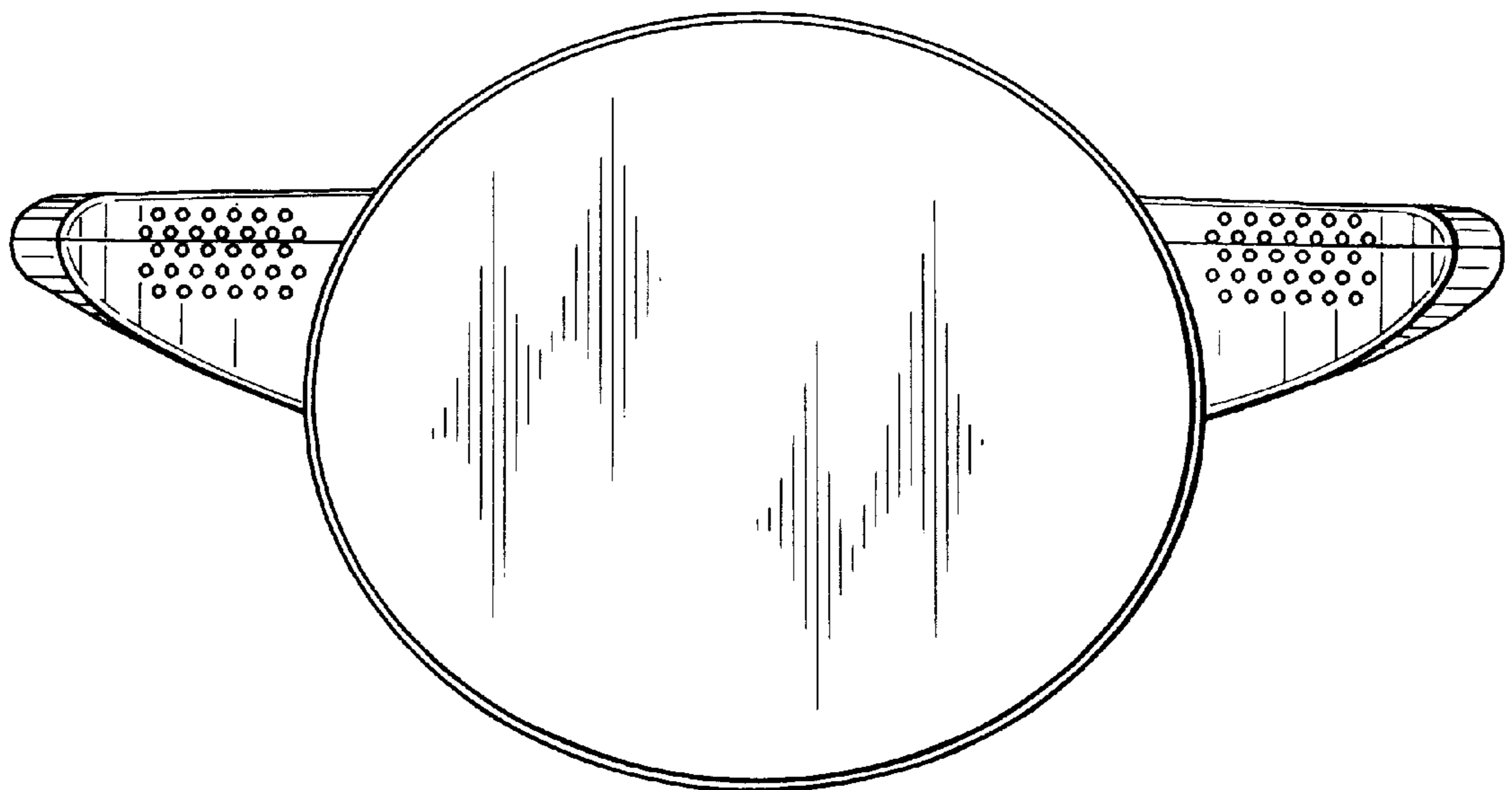


FIG. 8

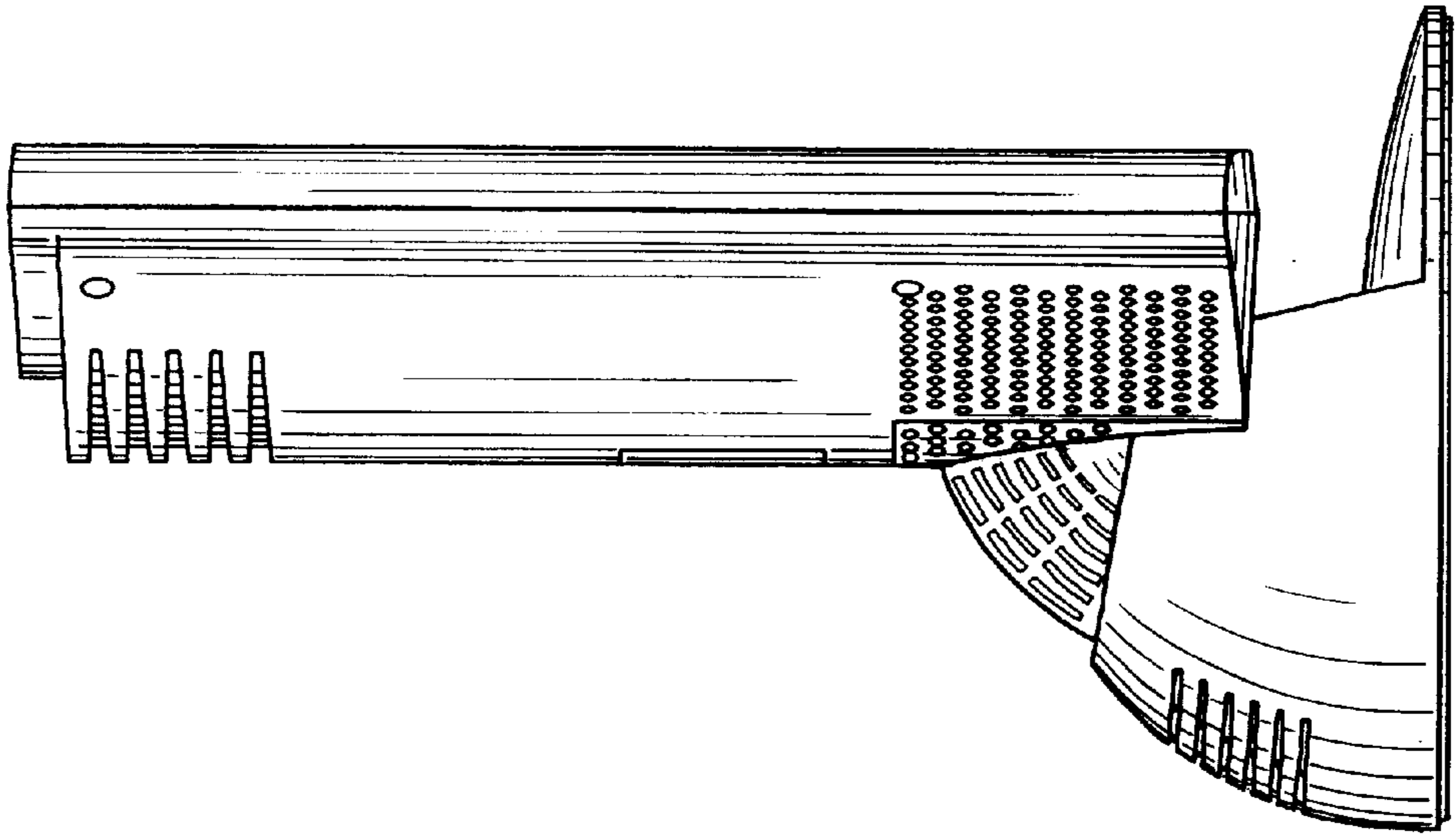


FIG. 7

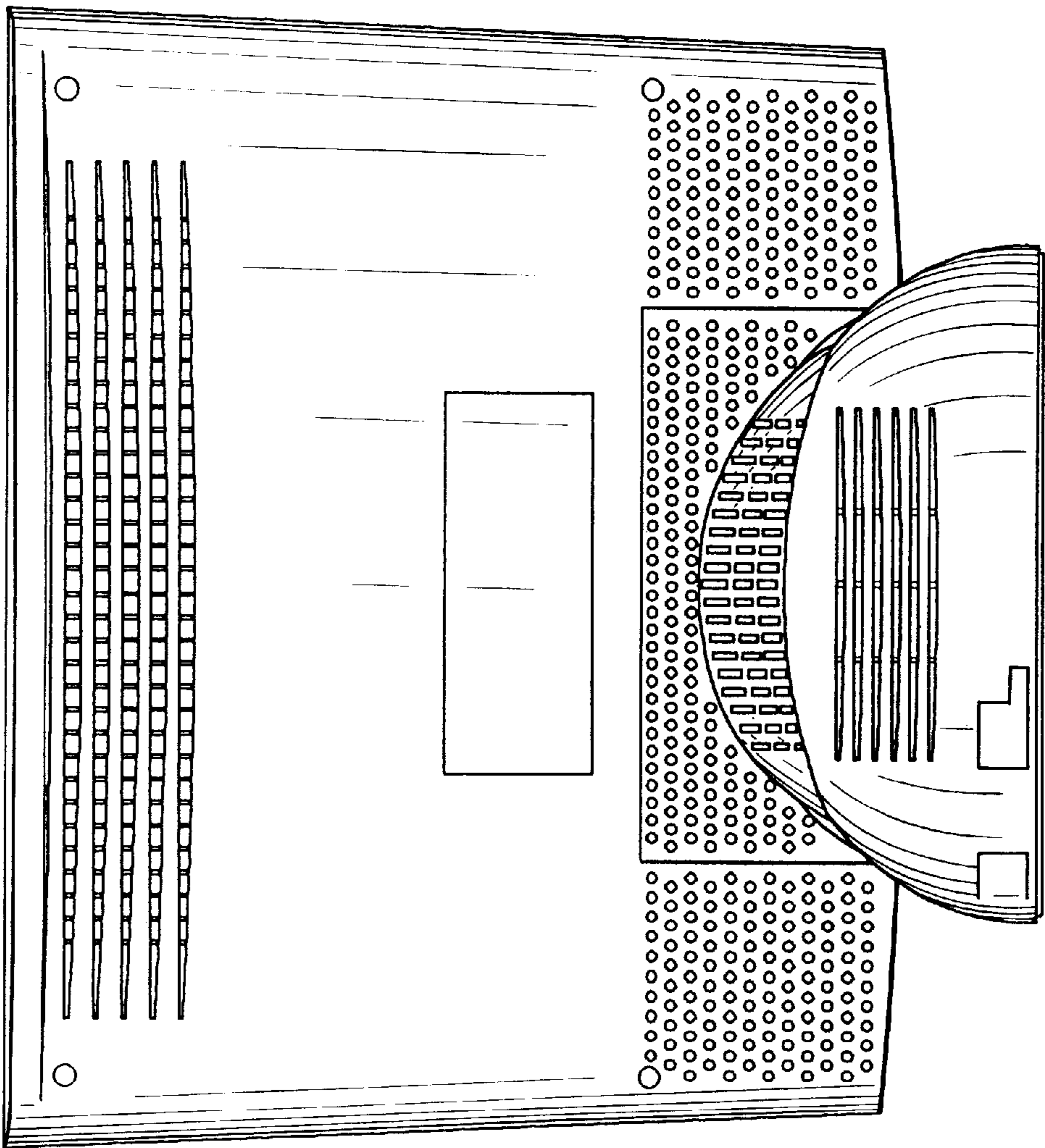


FIG. 10

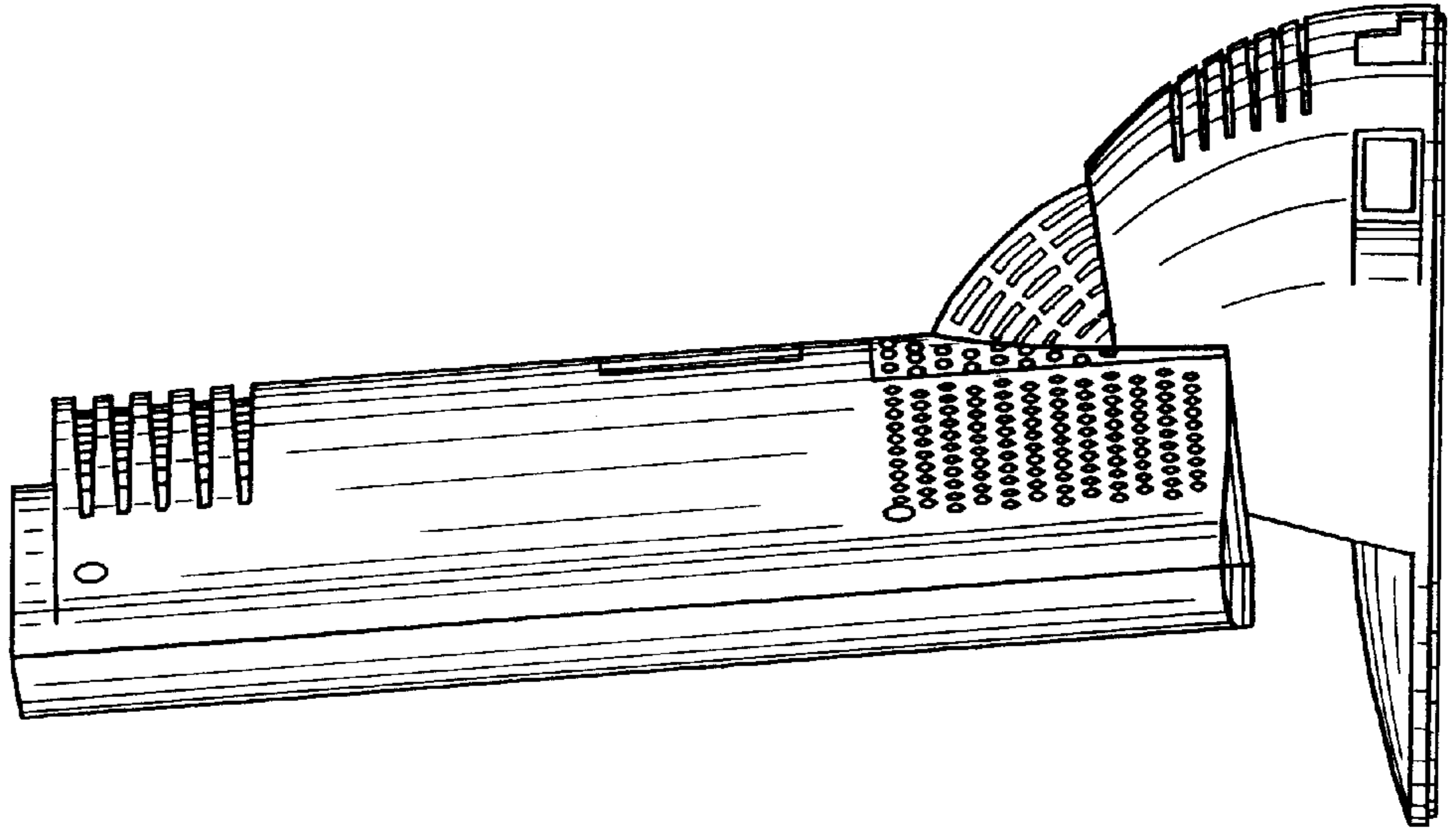


FIG. 9

